



US00D761433S

(12) **United States Design Patent**
Nishimura et al.

(10) **Patent No.:** **US D761,433 S**
(45) **Date of Patent:** **** Jul. 12, 2016**

(54) **BLOOD PURIFIER**

(71) Applicant: **KANEKA CORPORATION**,
Osaka-shi, Osaka (JP)

(72) Inventors: **Takayoshi Nishimura**, Settsu (JP);
Shinya Nakamura, Settsu (JP); **Toshio Sakaguchi**, Settsu (JP)

(73) Assignee: **KANEKA CORPORATION**,
Osaka-Shi (JP)

(**) Term: **14 Years**

(21) Appl. No.: **29/515,572**

(22) Filed: **Jan. 23, 2015**

(30) **Foreign Application Priority Data**

Jul. 25, 2014 (JP) D2014-016267

(51) **LOC (10) Cl.** **24-00**

(52) **U.S. Cl.**
USPC **D24/185**

(58) **Field of Classification Search**
USPC D24/185, 108, 162, 172, 164, 216, 111,
D24/117; D23/209, 200; 428/36.5
CPC A61M 1/3627
See application file for complete search history.

(56) **References Cited**

U.S. PATENT DOCUMENTS

D317,201 S *	5/1991	Sone	D24/162
D319,504 S *	8/1991	Sone	D24/162
D322,124 S *	12/1991	Lichte	D24/117
D328,493 S *	8/1992	Kuroda	D24/162
D336,514 S *	6/1993	Valerio	D24/111
D340,983 S *	11/1993	Spielberg	D24/162
D343,682 S *	1/1994	Cattaoris	D24/162
D355,973 S *	2/1995	Ijiri	D24/162
D358,213 S *	5/1995	Sutton	D24/162
D361,379 S *	8/1995	Sancoff	D24/111

D367,110 S *	2/1996	Cotter	D24/108
D384,415 S *	9/1997	Maloney	D24/162
D475,787 S *	6/2003	Zia	D24/162
D480,137 S *	9/2003	Nilsson	D24/108
D507,035 S *	7/2005	Taniguchi	D23/209
D526,413 S *	8/2006	Baker	D24/164
D555,226 S *	11/2007	Leavitt	D23/209
D602,558 S *	10/2009	Beams	D23/200
D620,075 S *	7/2010	Yamaguchi	D23/209
D676,567 S *	2/2013	van den Engh	D24/216
D690,813 S *	10/2013	Bizzell	D24/162

(Continued)

Primary Examiner — Holly Baynham

Assistant Examiner — Rhea Shields

(74) *Attorney, Agent, or Firm* — Birch, Stewart, Kolasch & Birch, LLP

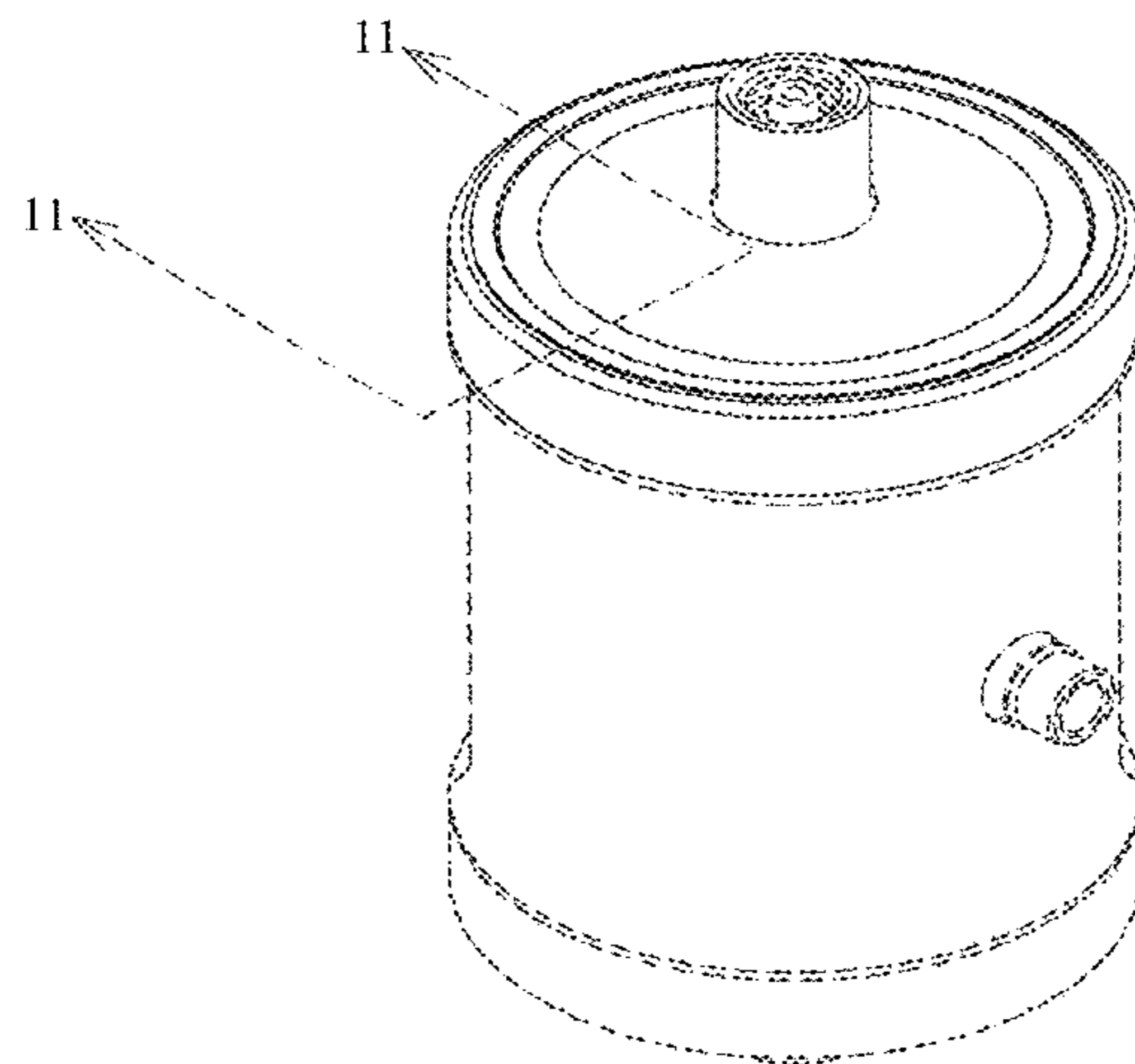
(57) **CLAIM**

The ornamental design for a blood purifier, as shown and described.

DESCRIPTION

FIG. 1 is a top perspective view of a blood purifier showing our new design;
 FIG. 2 is a front view thereof;
 FIG. 3 is a back view thereof;
 FIG. 4 is a right side view thereof;
 FIG. 5 is a left side view thereof;
 FIG. 6 is a top view thereof;
 FIG. 7 is a bottom view thereof;
 FIG. 8 is a cross-sectional view of the 8-8 portion in FIG. 6;
 FIG. 9 is an enlarged cross-sectional view of the 9-9 portion in FIG. 8;
 FIG. 10 is an enlarged cross-sectional view of the 10-10 portion in FIG. 9; and,
 FIG. 11 is an enlarged top perspective cross-sectional view of the 11-11 portion in FIG. 1.
 In the drawings, the broken lines are for the purpose of illustrating environment only and form no part of the claimed design.

1 Claim, 11 Drawing Sheets



US D761,433 S

Page 2

(56)

References Cited

U.S. PATENT DOCUMENTS

D706,930 S *	6/2014	Lin	D24/162	
D708,749 S *	7/2014	Appling	D24/162	* cited by examiner
D717,438 S *	11/2014	Lin	D24/162	
2008/0213523 A1 *	9/2008	Fujimoto	A61M 1/3627	
				428/36.5	

FIG. 1

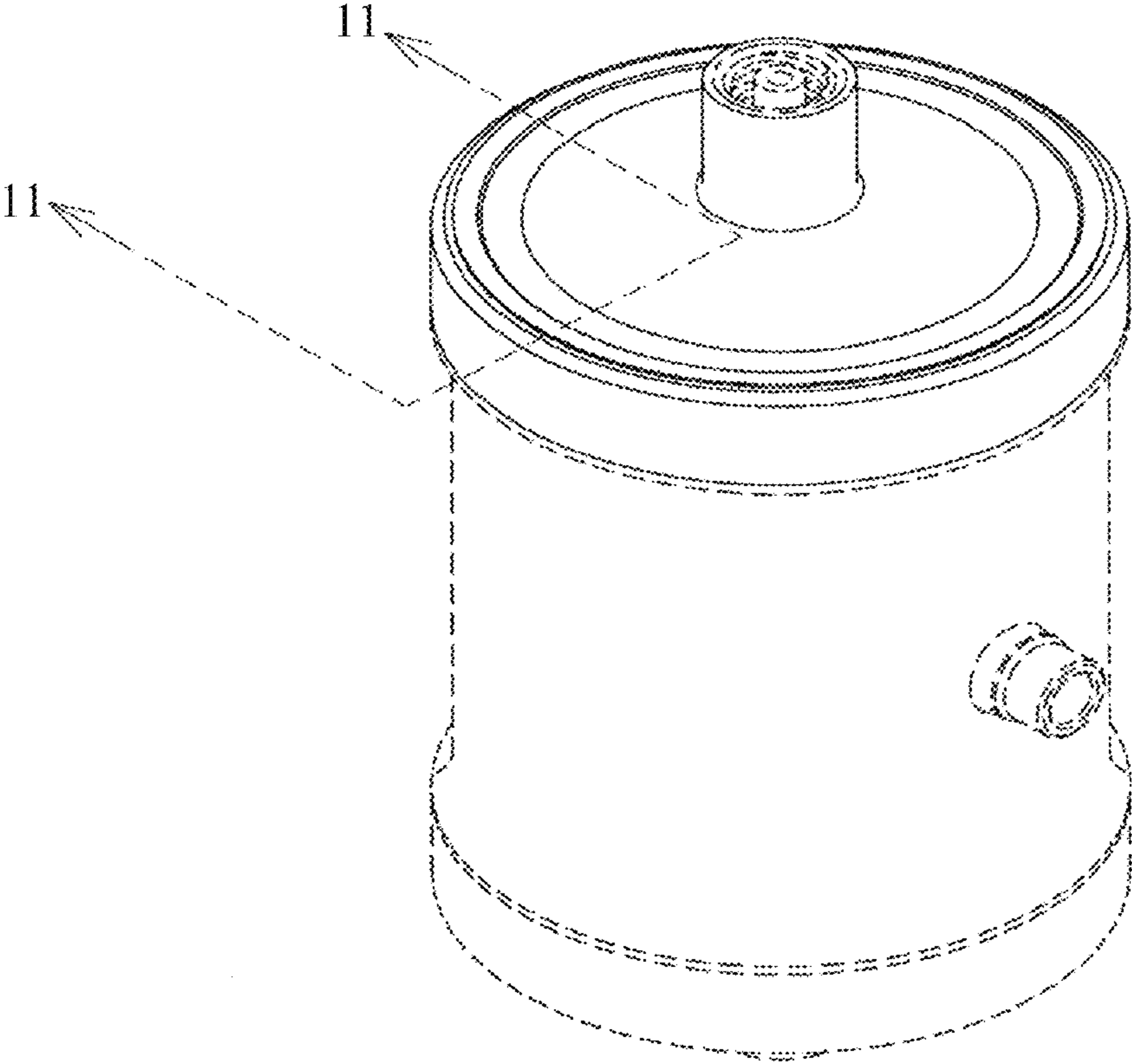


FIG. 2

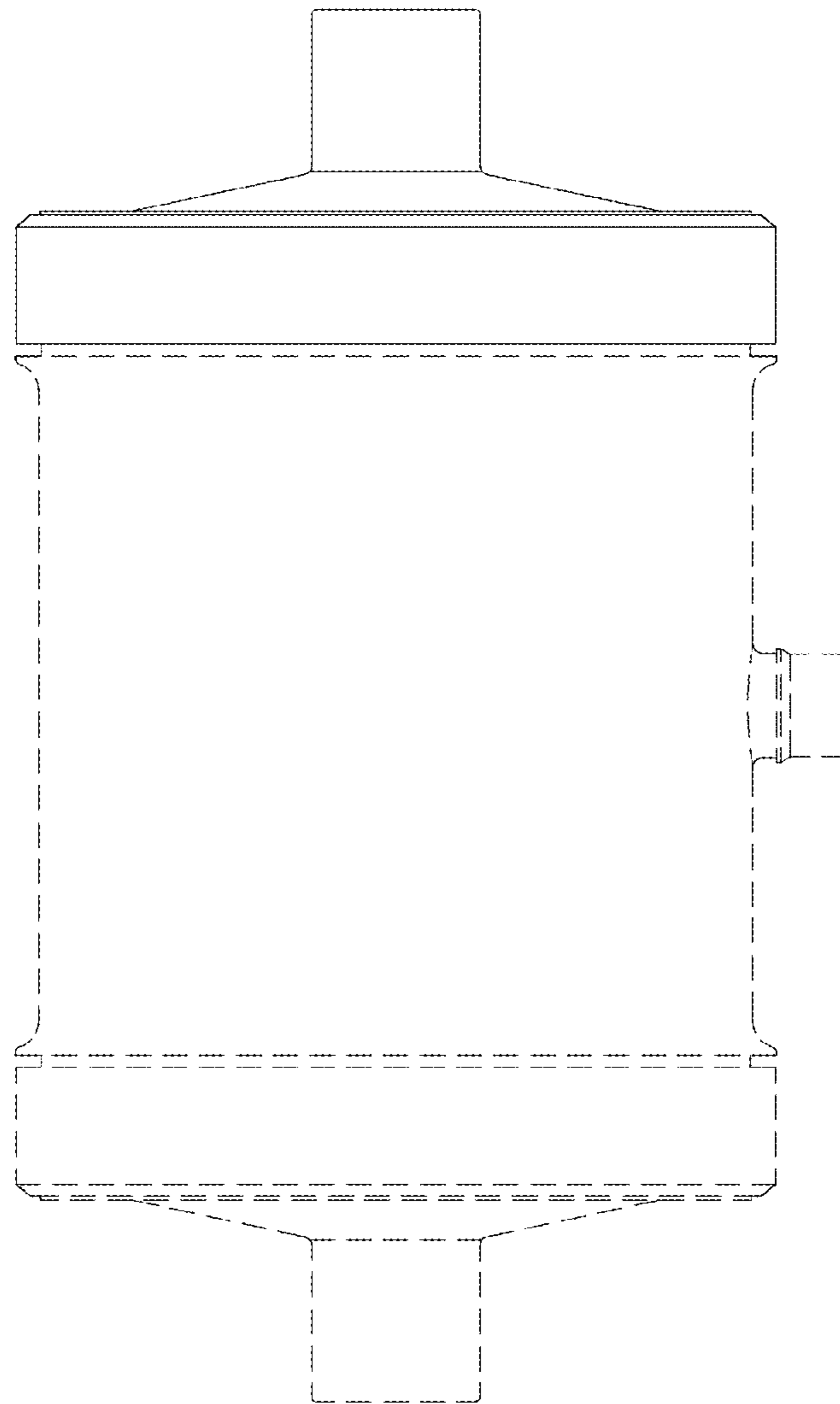


FIG. 3

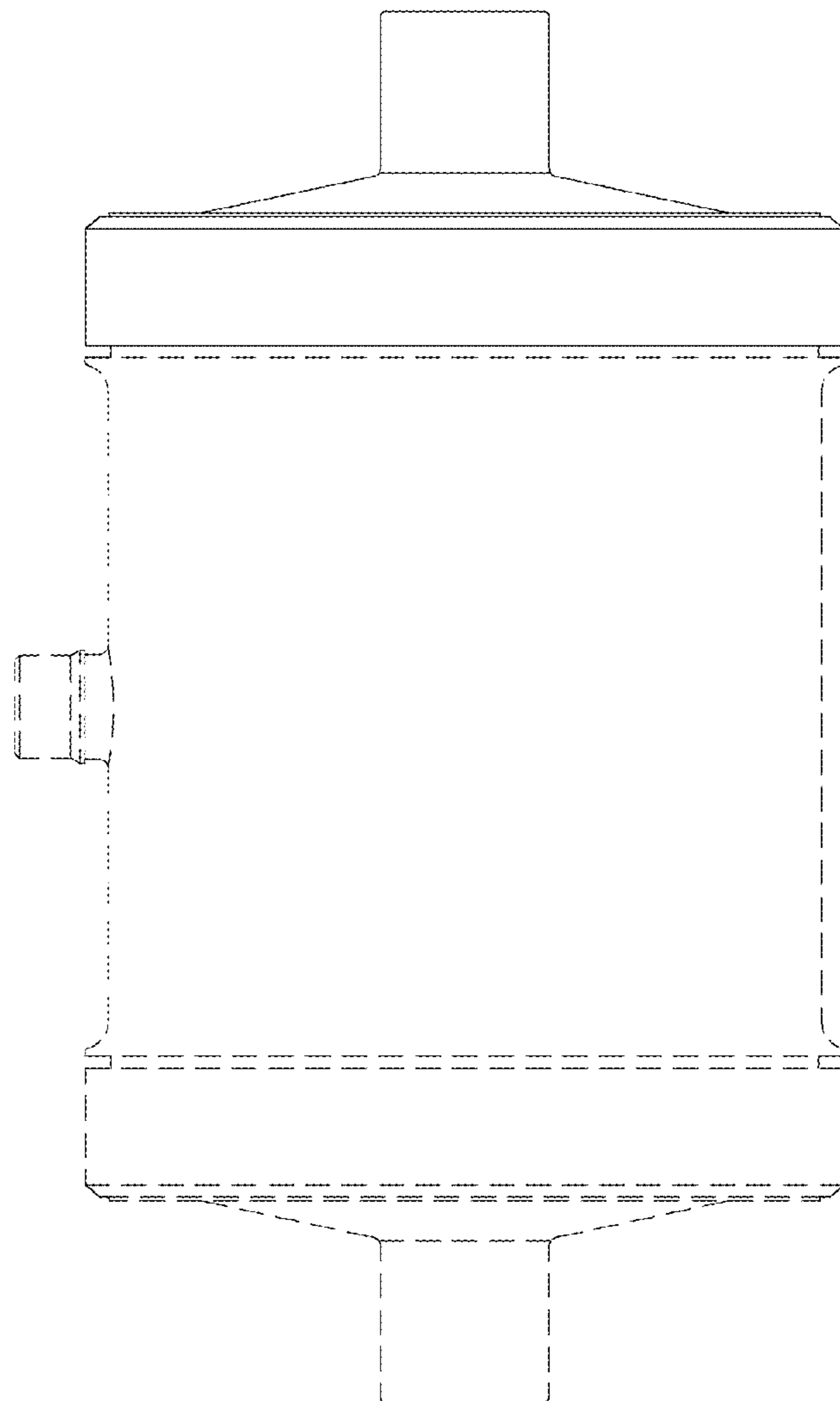


FIG. 4

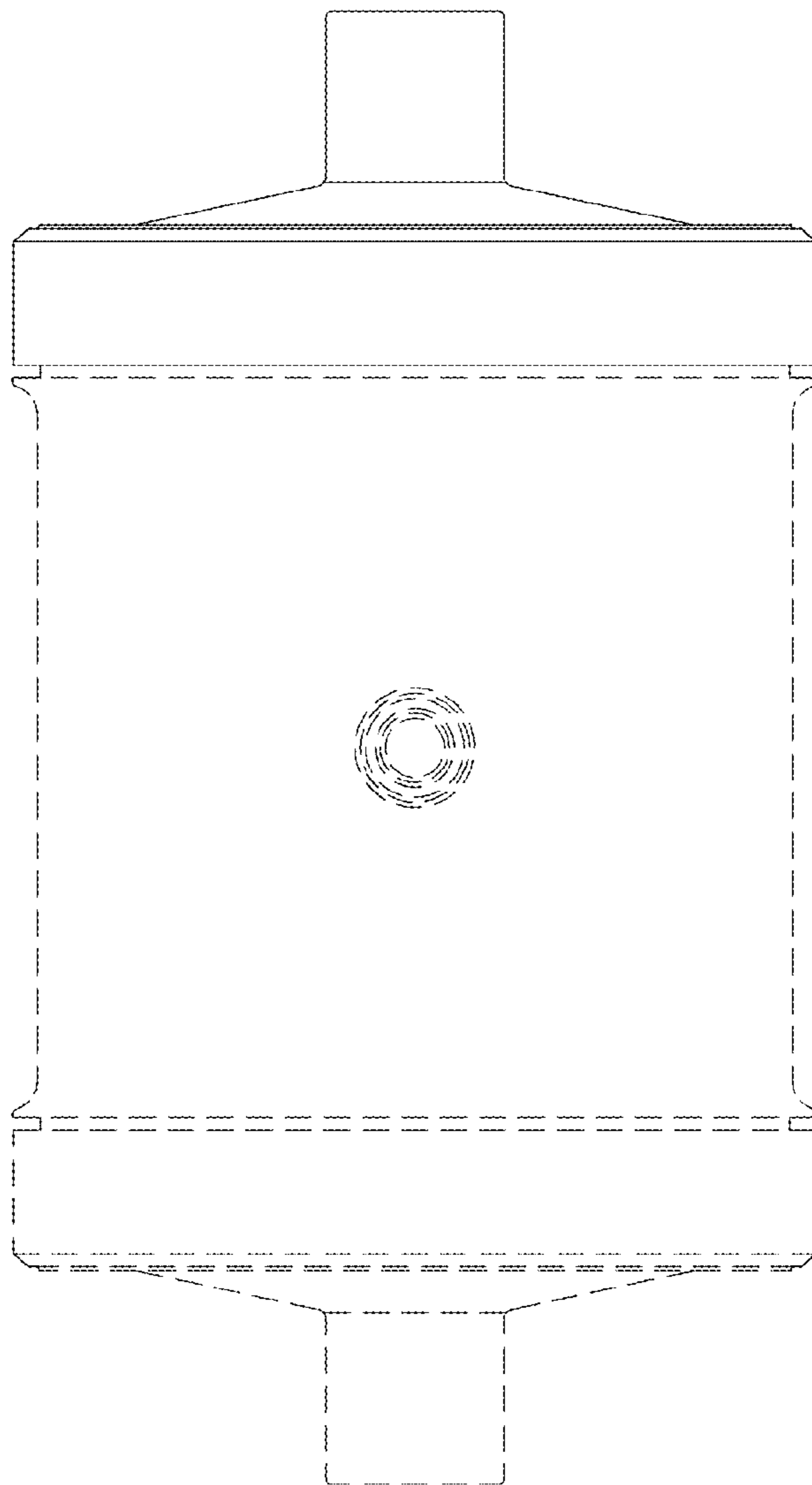


FIG. 5

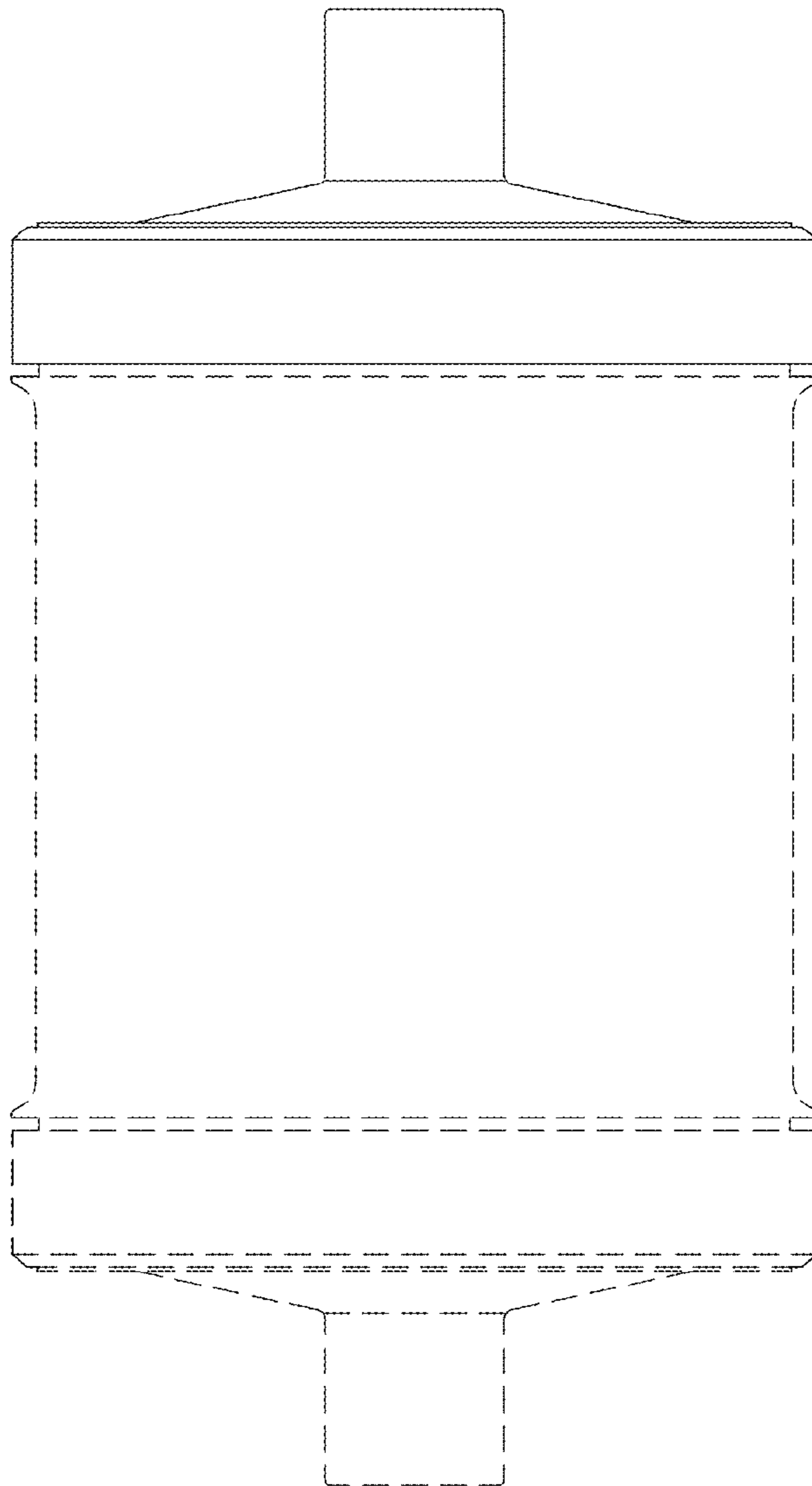


FIG. 6

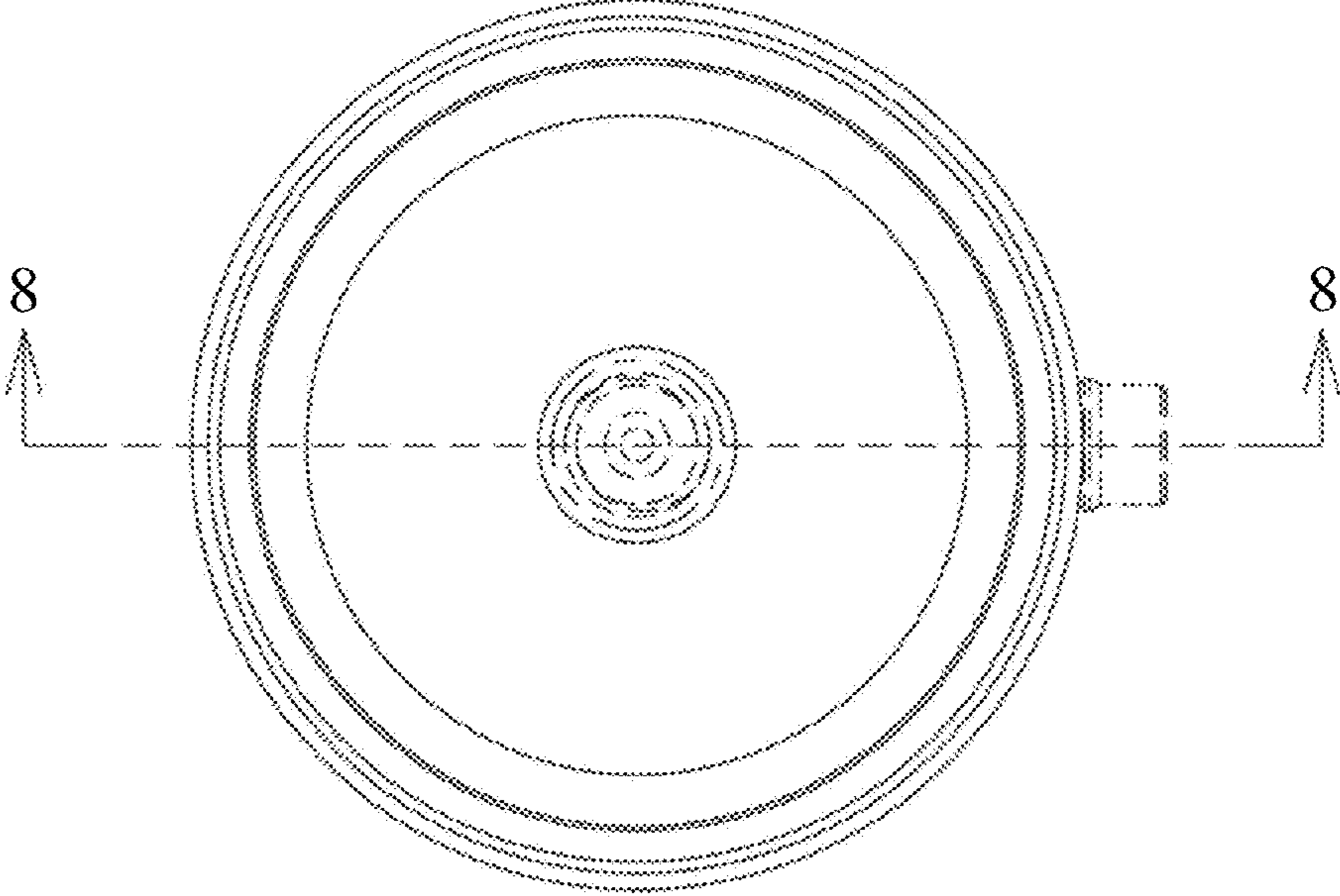


FIG. 7

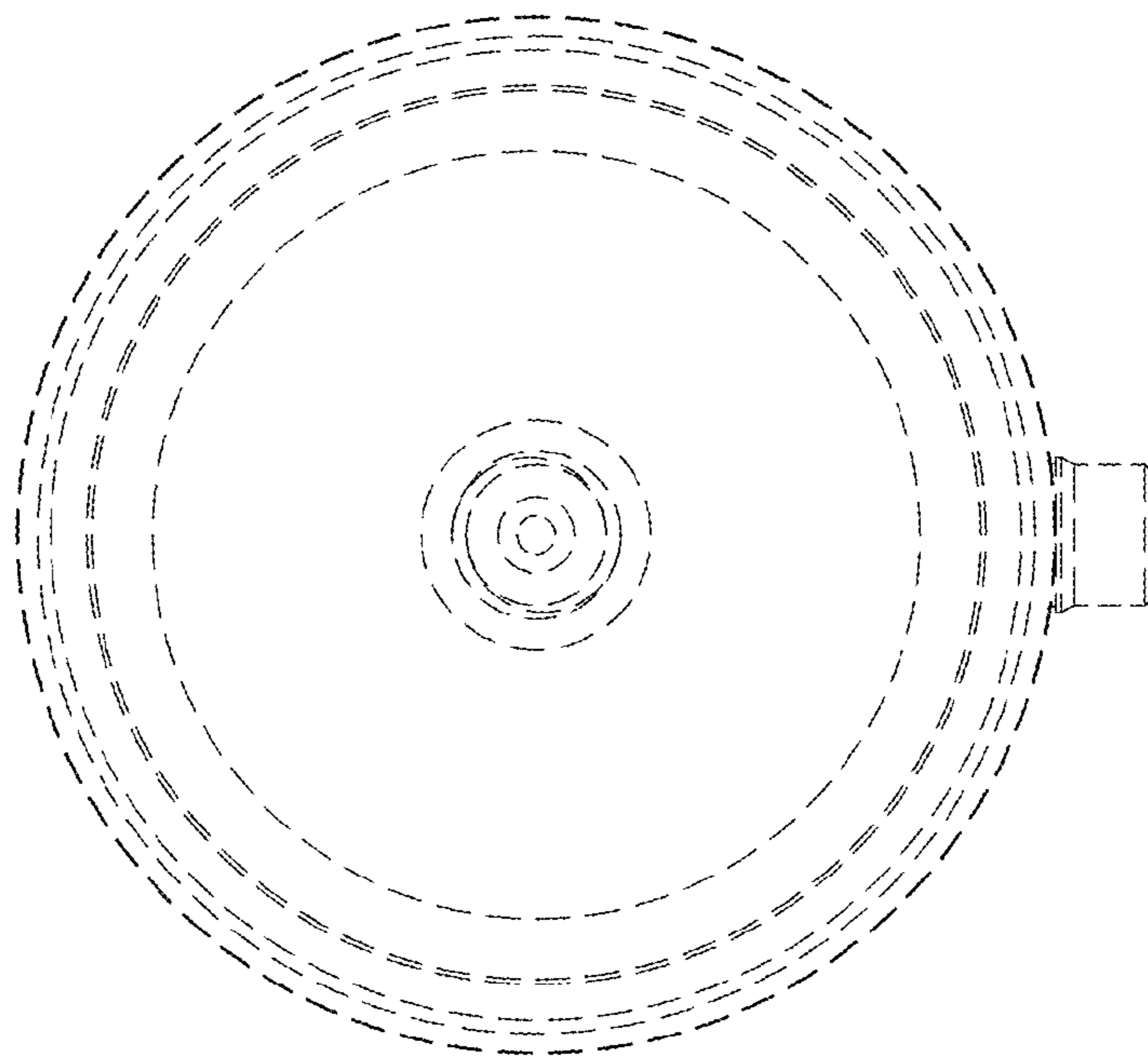


FIG. 8

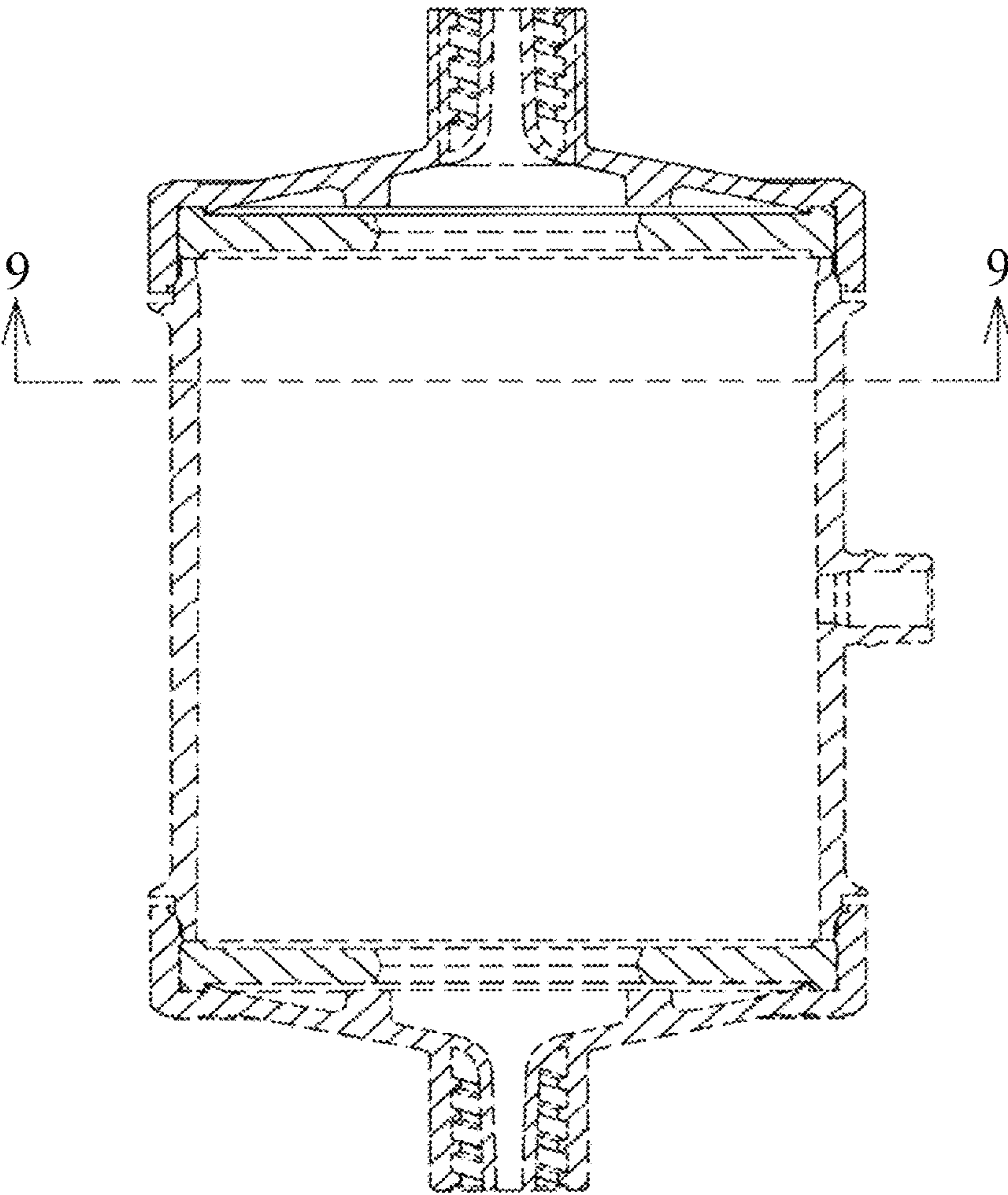


FIG. 9

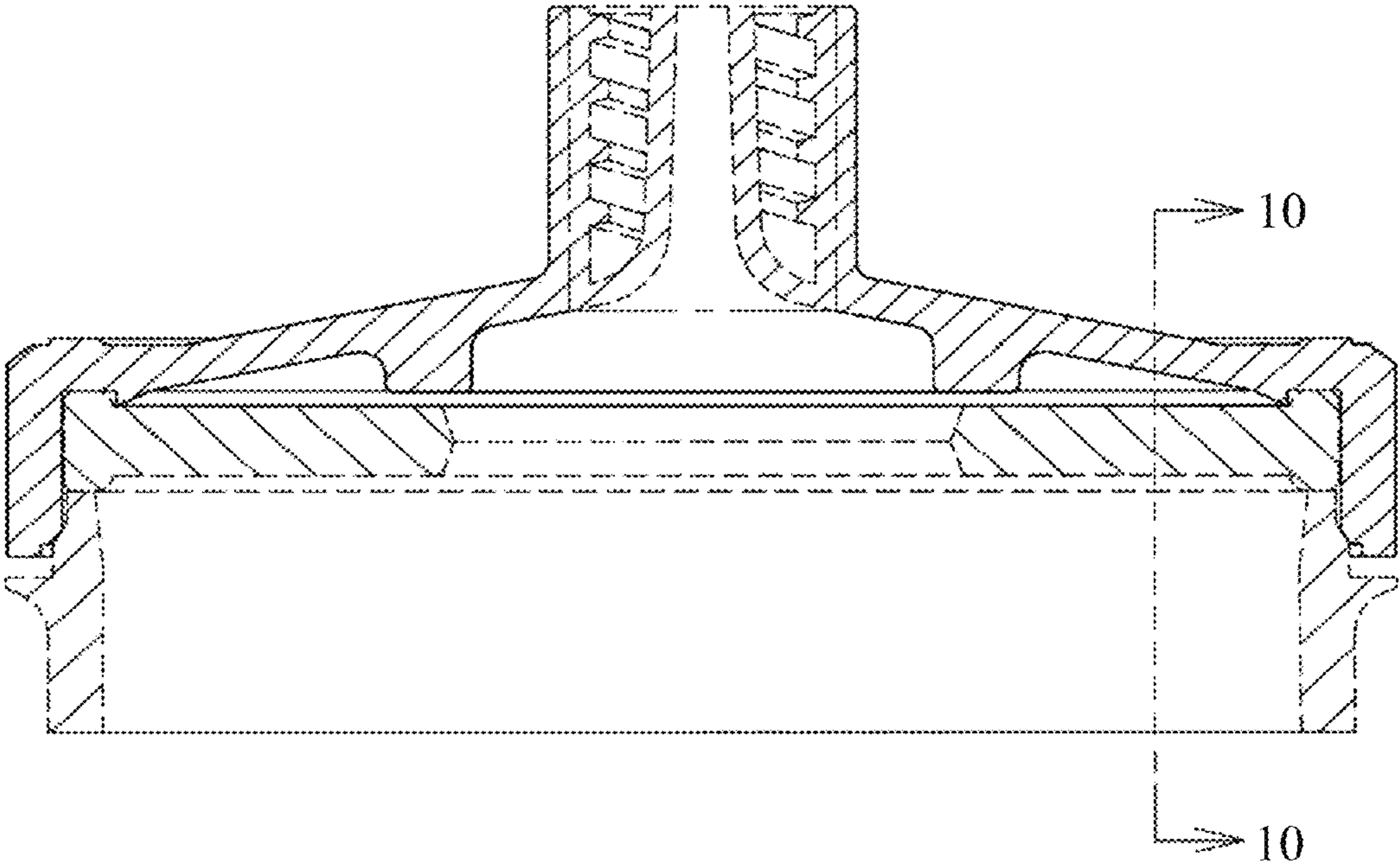


FIG. 10

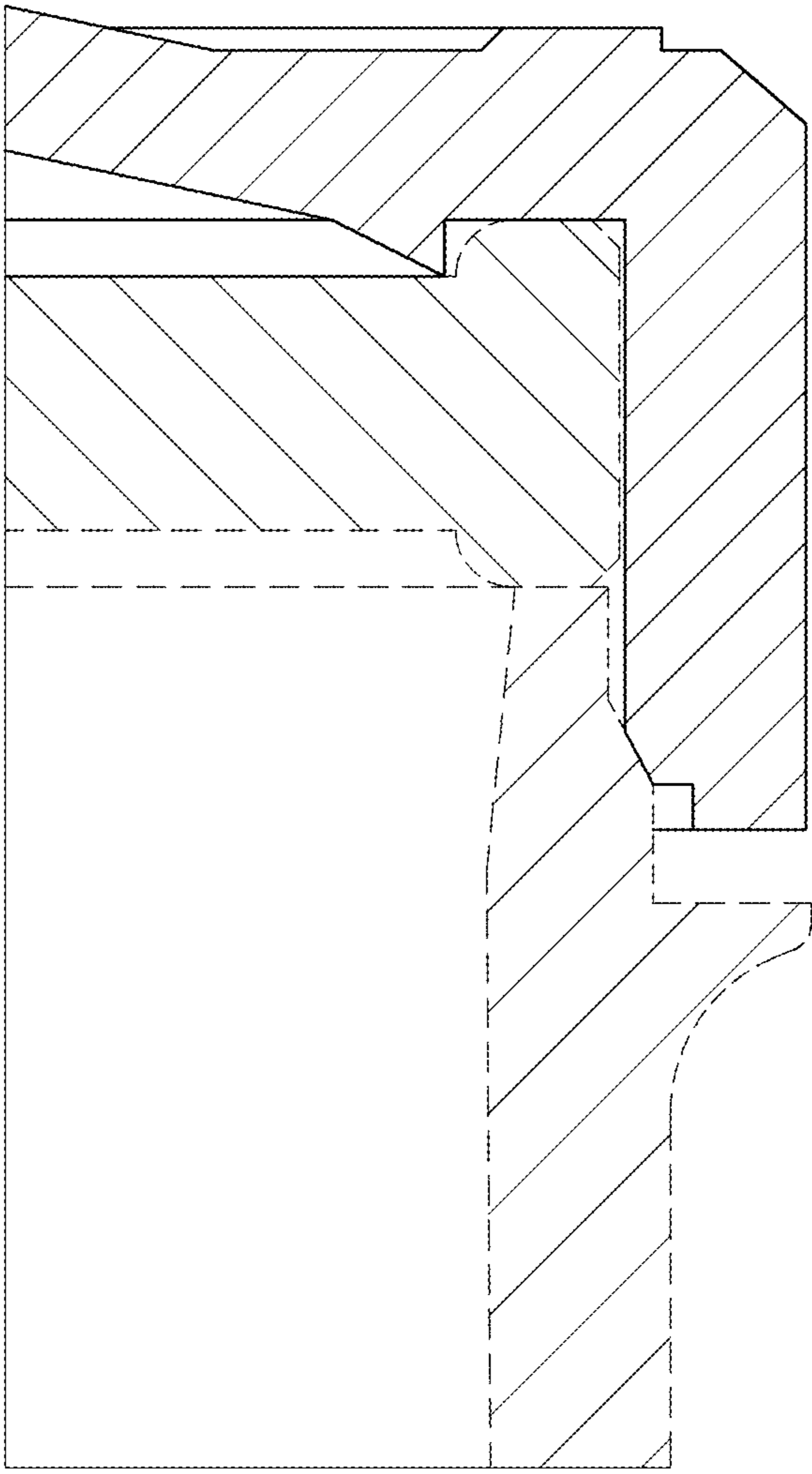


FIG. 11

