



US00D761428S

(12) **United States Design Patent**
Birkenbach

(10) **Patent No.:** **US D761,428 S**

(45) **Date of Patent:** **** Jul. 12, 2016**

(54) **REFERENCE MARKER ARRAY**

(71) Applicant: **Brainlab AG**, Feldkirchen (DE)
(72) Inventor: **Rainer Birkenbach**, Erding (DE)
(73) Assignee: **Brainlab AG**, Feldkirchen (DE)
(**) Term: **14 Years**
(21) Appl. No.: **29/517,102**
(22) Filed: **Feb. 10, 2015**

(30) **Foreign Application Priority Data**

Aug. 14, 2014 (EM) 002519405

(51) **LOC (10) Cl.** **24-02**

(52) **U.S. Cl.**
USPC **D24/140**

(58) **Field of Classification Search**

USPC D24/140, 133, 146, 147, 155, 158, 171,
D24/234; D8/7, 319, 320; D34/17, 18, 20,
D34/21; 346/78, 139 R; 378/162, 163, 164,
378/170, 204, 205; 600/407, 414, 425, 426,
600/429; 606/53, 79, 130, 300, 916
CPC A61B 19/20; A61B 19/52; A61B
2017/00473; A61B 2019/462; A61B
2019/566; A61B 2019/5255; A61B
2019/5265; A61B 2019/5268; A61B 17/15;
A61B 19/5244; A61B 19/54; A61B 17/1742;
A61B 18/148

See application file for complete search history.

(56) **References Cited**

U.S. PATENT DOCUMENTS

7,274,958	B2 *	9/2007	Jutras	A61B 19/20 600/424
7,458,977	B2 *	12/2008	McGinley	A61B 17/15 600/426
7,734,327	B2 *	6/2010	Colquhoun	A61B 19/54 600/407
2002/0107518	A1 *	8/2002	Neubauer	A61B 19/54 606/54
2004/0068263	A1 *	4/2004	Chouinard	A61B 19/20 606/86 R
2004/0102792	A1 *	5/2004	Sarin	A61B 19/5244 606/151
2004/0167393	A1 *	8/2004	Solar	A61B 19/54 600/414
2005/0075632	A1 *	4/2005	Russell	A61B 19/26 606/53
2008/0177173	A1 *	7/2008	Deffenbaugh	A61B 19/52 600/414
2012/0168587	A1 *	7/2012	Karsak	A61B 17/1703 248/291.1
2015/0282735	A1 *	10/2015	Rossner	A61B 5/064 600/424

* cited by examiner

Primary Examiner — Wan Laymon
Assistant Examiner — Mark Booker
(74) *Attorney, Agent, or Firm* — Tucker Ellis LLP

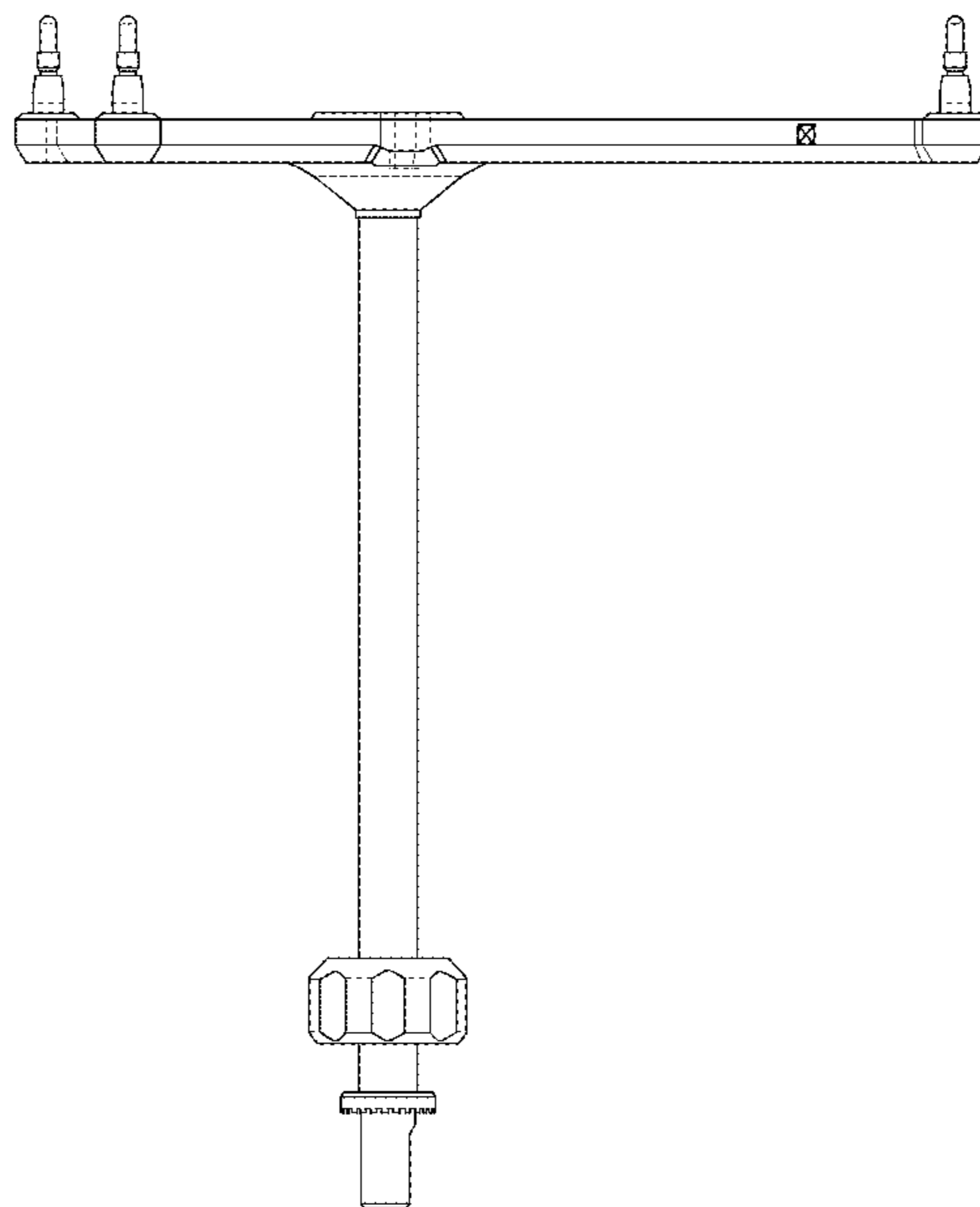
(57) **CLAIM**

The ornamental design for a reference marker array, as shown and described.

DESCRIPTION

FIG. 1 is a side elevational view of the reference marker array showing my new design.
FIG. 2 is a top view thereof; and,
FIG. 3 is a perspective view thereof.

1 Claim, 3 Drawing Sheets



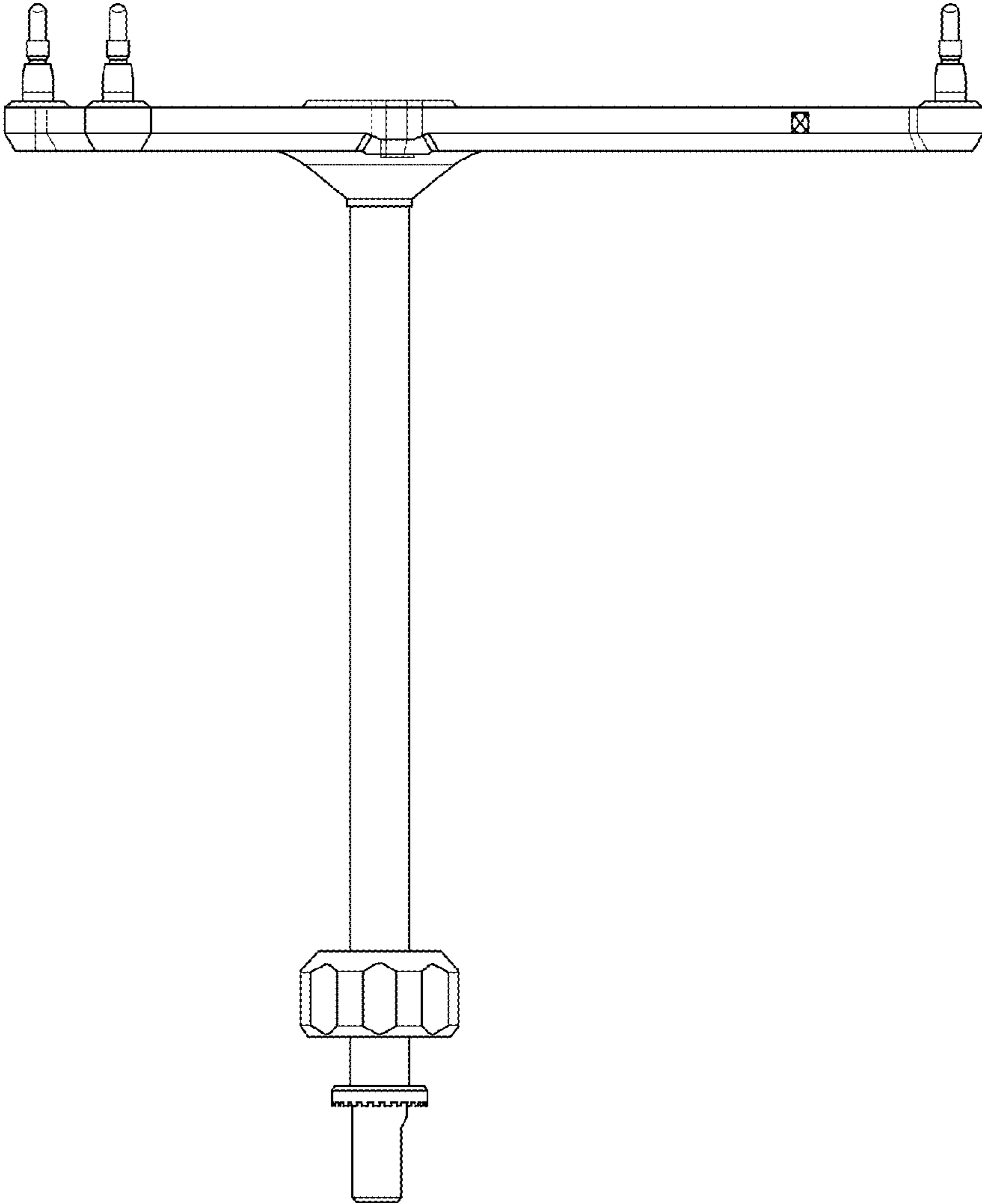


Figure 1

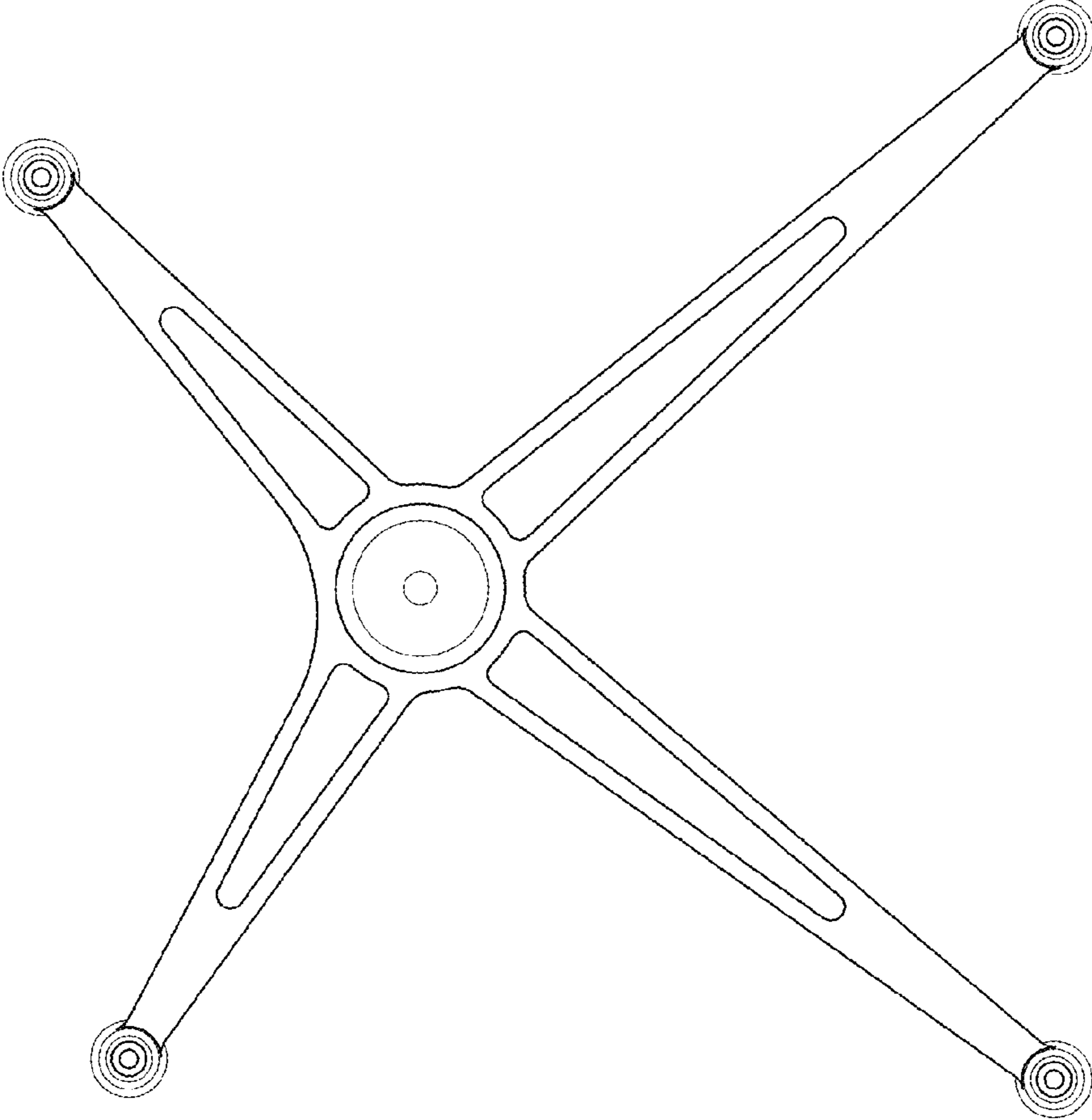


Figure 2

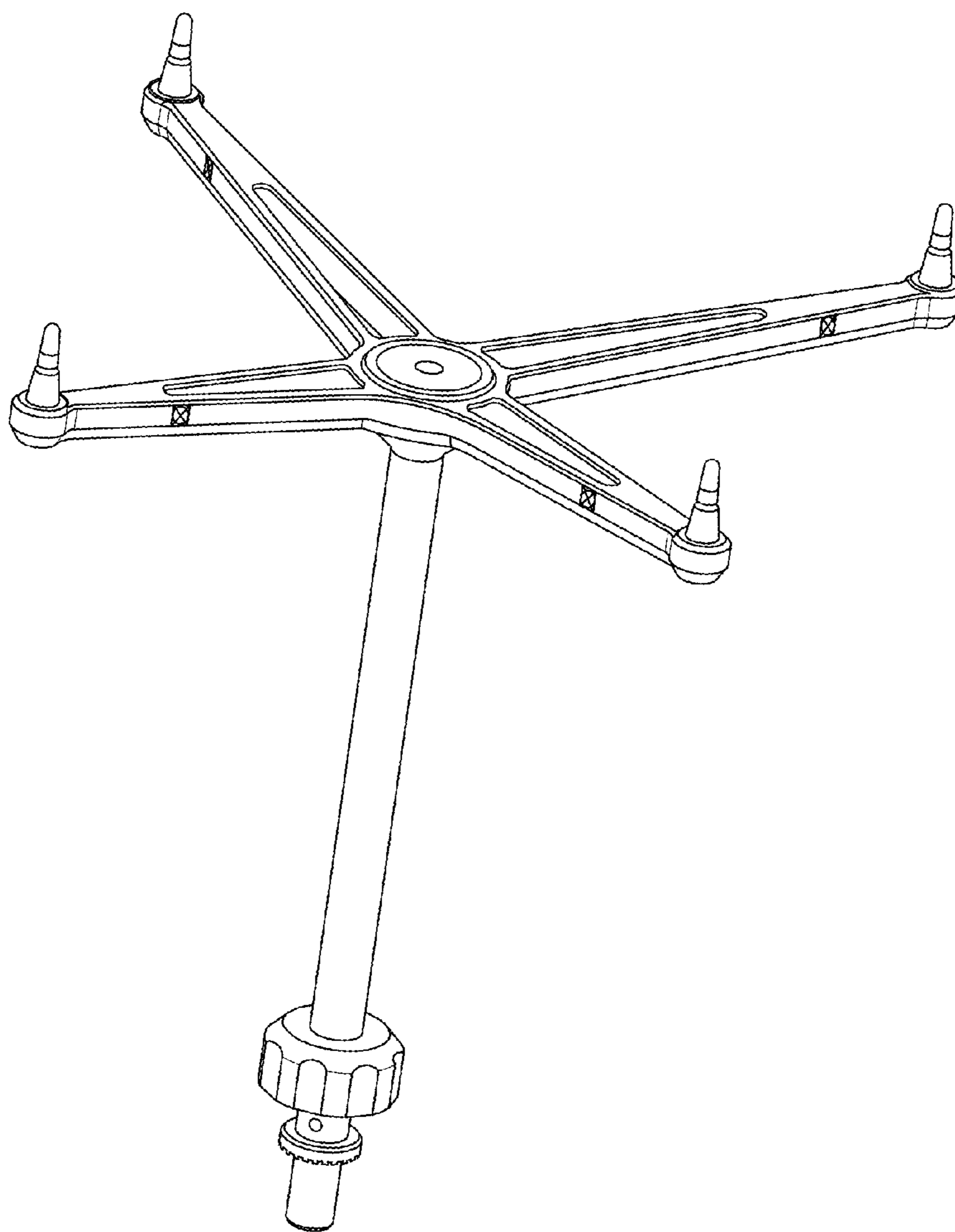


Figure 3