

US00D761427S

(12) **United States Design Patent**
Patterson et al.

(10) **Patent No.:** **US D761,427 S**
(45) **Date of Patent:** **** Jul. 12, 2016**

- (54) **MEDICAL MARKING APPARATUS**
- (71) Applicant: **RESEARCH INSTITUTE AT NATIONWIDE CHILDREN'S HOSPITAL**, Columbus, OH (US)
- (72) Inventors: **Amber M. Patterson**, Westerville, OH (US); **Susan J. Bolton**, New Albany, NY (US); **Gayla J. Rogers**, Pickerington, OH (US)
- (73) Assignee: **Research Institute at Nationwide Children's Hospital**, Columbus, OH (US)

5,179,959 A	1/1993	Fishman et al.	
D340,289 S	10/1993	Gerber	
D369,664 S *	5/1996	Dye	D23/260
D373,192 S *	8/1996	Murphy	D13/147
5,547,555 A	8/1996	Schwartz et al.	
5,746,700 A	5/1998	Hsiao	
5,749,836 A	5/1998	Hsiao	
D412,990 S	8/1999	Woolston et al.	
6,024,706 A	2/2000	Hsiao	
D439,985 S	4/2001	Sanner	
6,319,467 B1	11/2001	McLernon, III	
6,611,707 B1	8/2003	Prausnitz et al.	
D491,276 S	6/2004	Langille	
D523,964 S	6/2006	Phelan et al.	
7,344,499 B1	3/2008	Prausnitz et al.	
D595,845 S *	7/2009	Mros	D24/129
D623,303 S	9/2010	Koivulehto et al.	

(**) Term: **14 Years**

(21) Appl. No.: **29/511,526**

(22) Filed: **Dec. 11, 2014**

Related U.S. Application Data

(62) Division of application No. 29/443,243, filed on Jan. 15, 2013, now Pat. No. Des. 721,435.

(51) **LOC (10) Cl.** **24-02**

(52) **U.S. Cl.**
USPC **D24/140**

(58) **Field of Classification Search**
USPC D24/140, 146, 216, 233, 127, 128, 130, D24/133, 158

CPC A61B 10/0035; A61B 2017/3411; A61B 5/411; A61B 5/441

See application file for complete search history.

(56) **References Cited**

U.S. PATENT DOCUMENTS

3,556,080 A	1/1971	Hein
4,809,707 A	3/1989	Kraft et al.
5,044,372 A	9/1991	Anhauser et al.
D322,673 S	12/1991	Muller

(Continued)

FOREIGN PATENT DOCUMENTS

CN 301761433 * 12/2011

Primary Examiner — Bridget L Eland

Assistant Examiner — Lauren McVey

(74) *Attorney, Agent, or Firm* — Tarolli, Sundheim, Covell & Tummino LLP

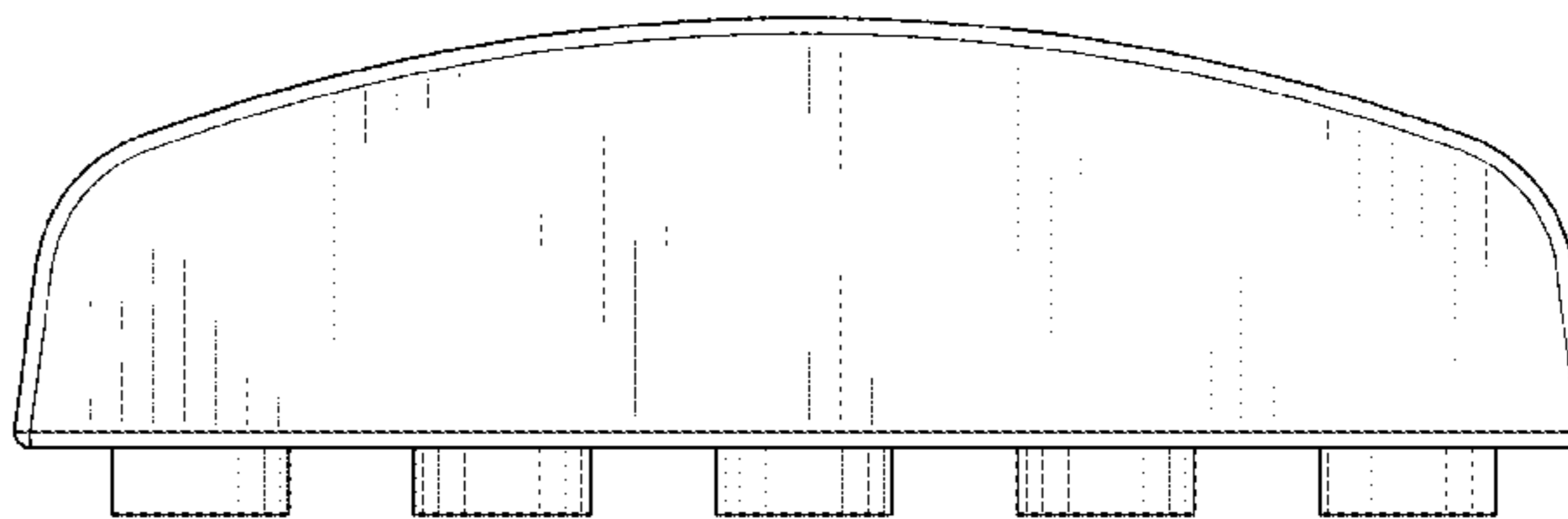
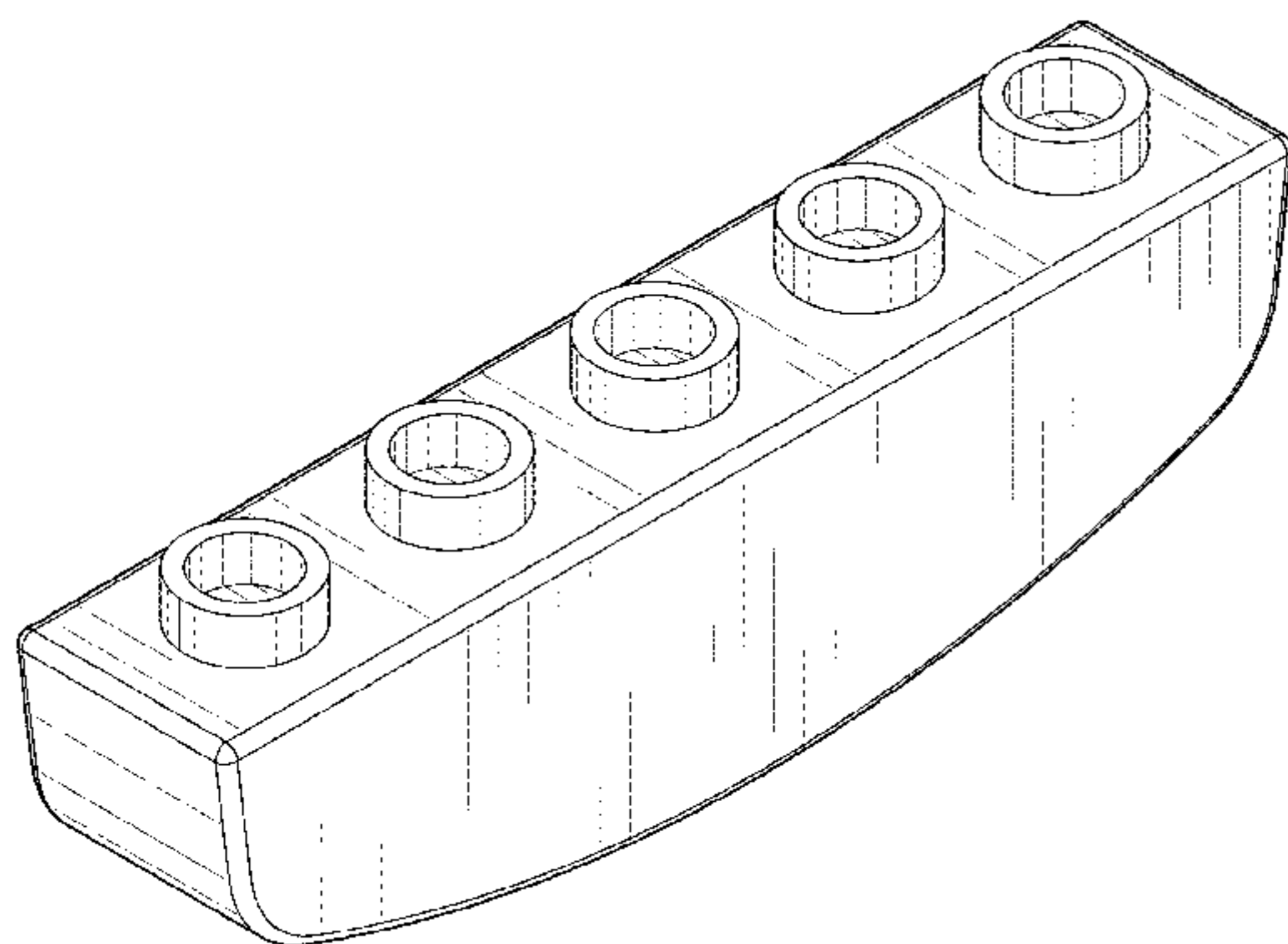
(57) **CLAIM**

The ornamental design for a medical marking apparatus, as shown and described.

DESCRIPTION

FIG. 1 is an upper perspective view of a medical marking apparatus showing our new design; FIG. 2 is a lower perspective view thereof; FIG. 3 is a front elevation view thereof; FIG. 4 is a rear elevation view thereof; FIG. 5 is a top plan view thereof; FIG. 6 is a bottom plan view thereof; FIG. 7 is a first side elevation view thereof; and, FIG. 8 is a second elevation view thereof.

1 Claim, 3 Drawing Sheets



(56)

References Cited

U.S. PATENT DOCUMENTS

D629,517 S	12/2010	Jauch et al.	D734,485 S *	7/2015	Oonuma	D24/216
D667,548 S	9/2012	Brannon	D736,403 S *	8/2015	Hudson	D24/216
D684,276 S	6/2013	Hudson et al.	D738,176 S *	9/2015	Rooney	D10/64
8,597,199 B2	12/2013	Harish et al.	9,125,749 B2 *	9/2015	Amirouche	A61B 17/1767
D698,937 S	2/2014	Laverack et al.	9,161,877 B2 *	10/2015	Mros	A61M 39/12
D719,277 S *	12/2014	Miller	2012/0253224 A1	10/2012	Mir et al.	
D721,435 S	1/2015	Patterson et al.	2014/0200515 A1 *	7/2014	Patterson	A61B 17/20 604/116
			2016/0030114 A1 *	2/2016	Patterson	A61B 5/411 600/556

* cited by examiner

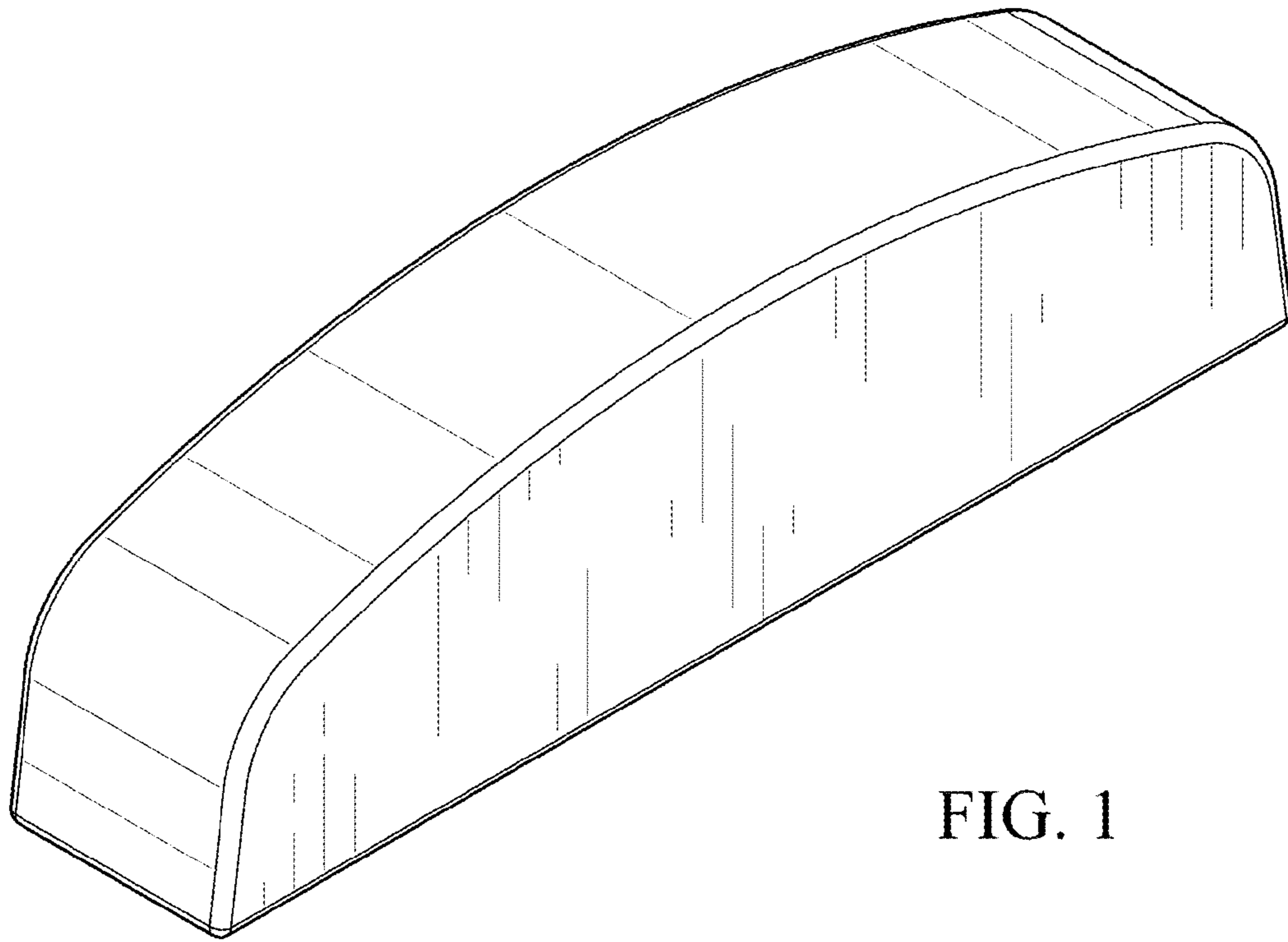


FIG. 1

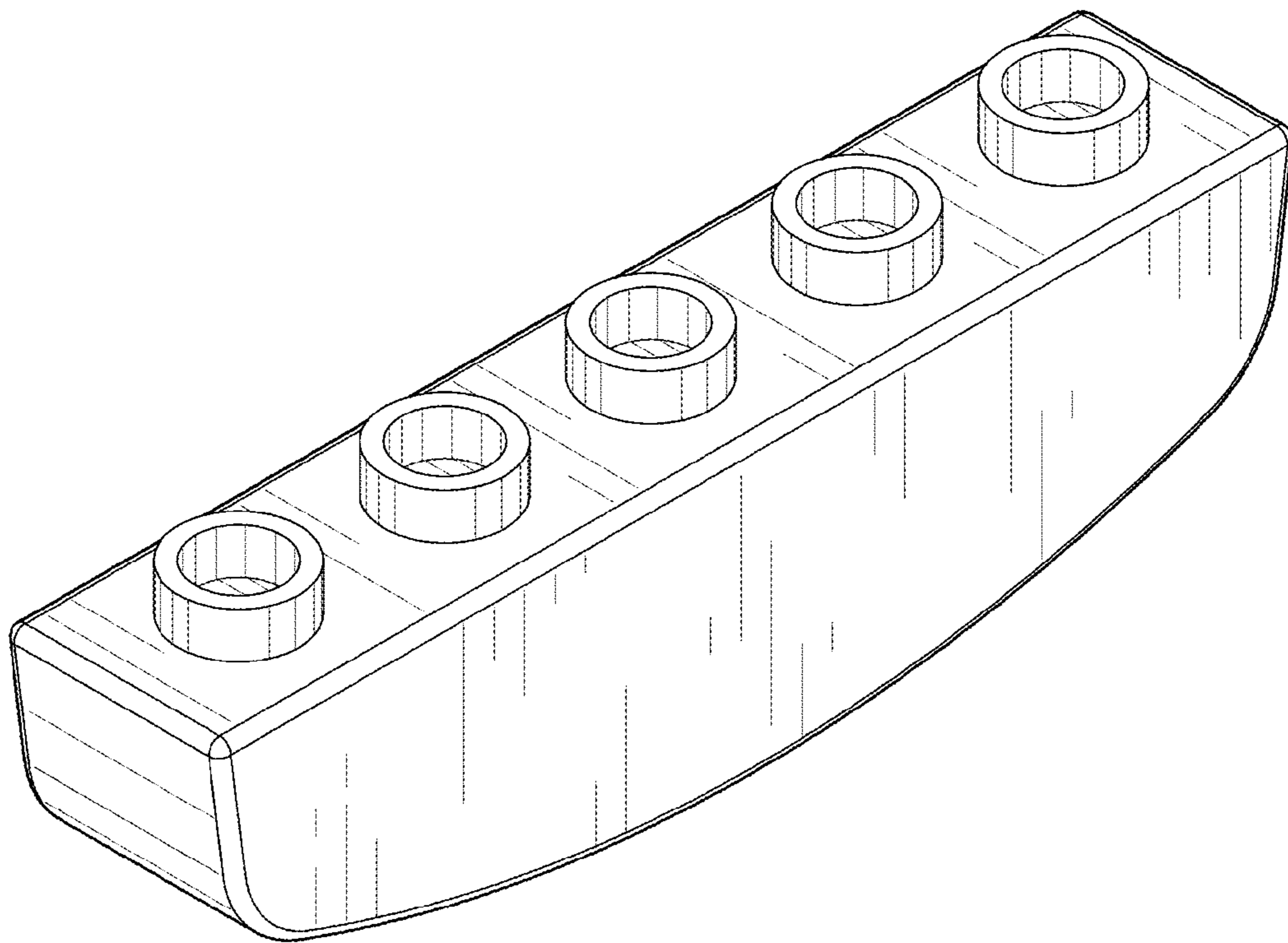


FIG. 2

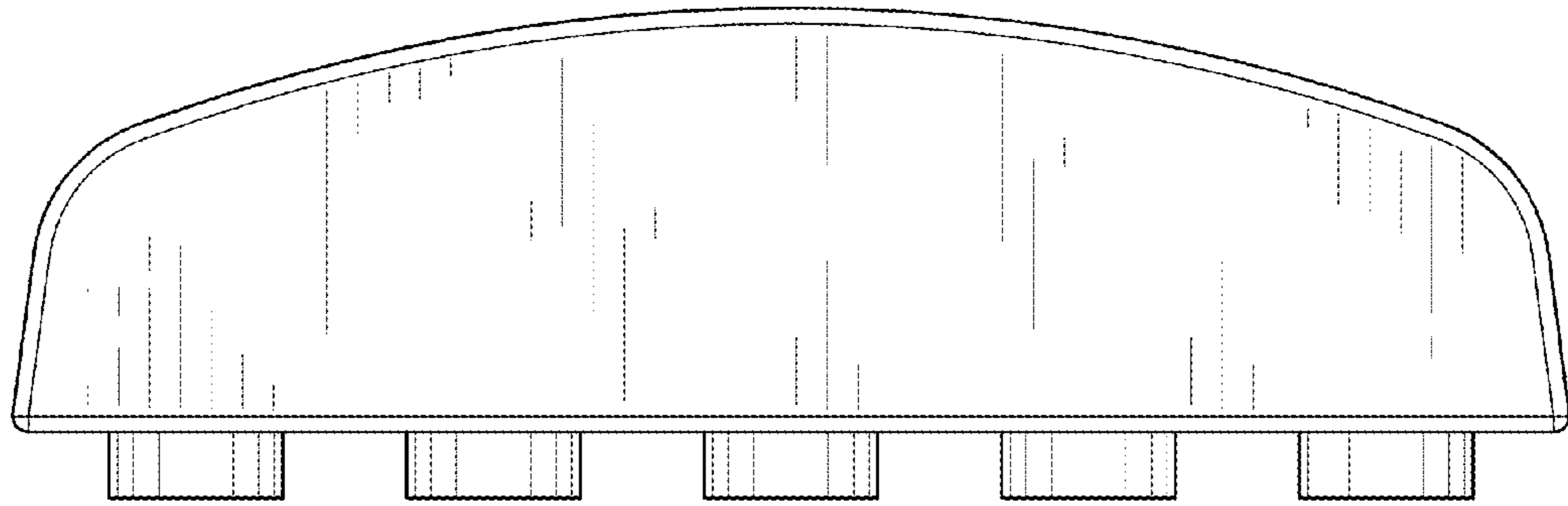


FIG. 3

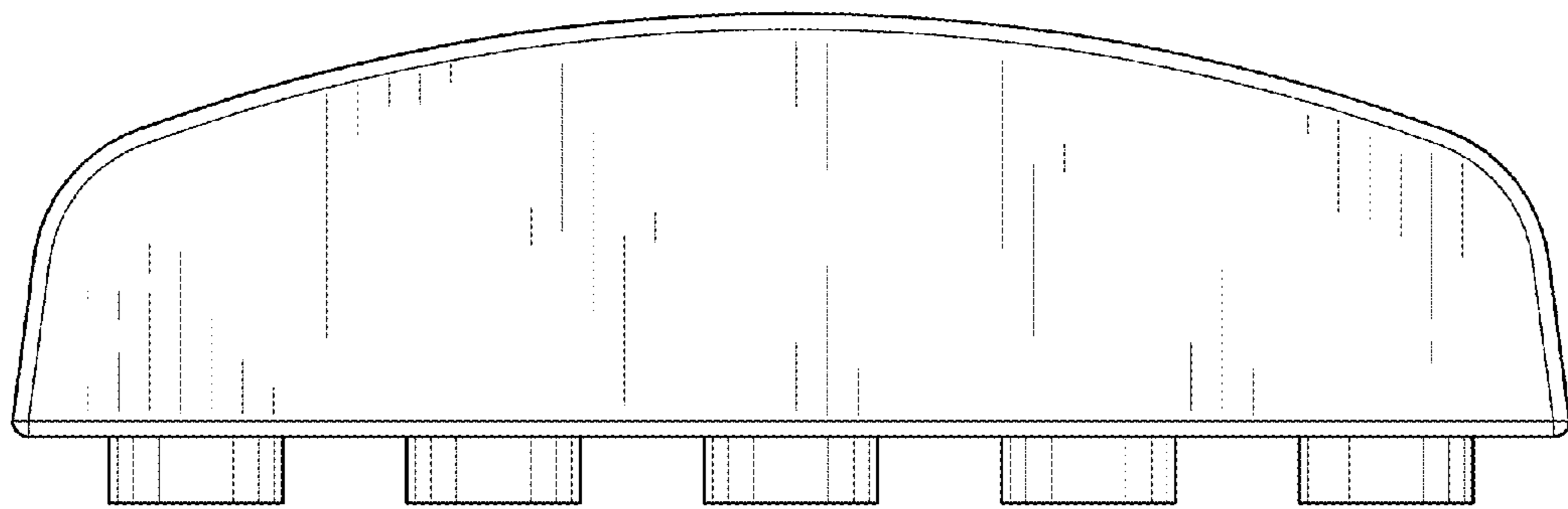


FIG. 4

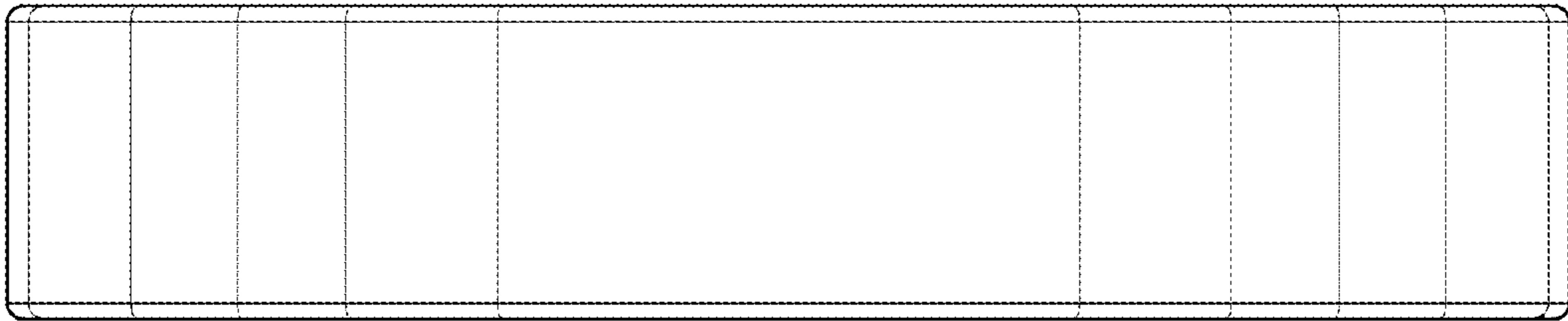


FIG. 5

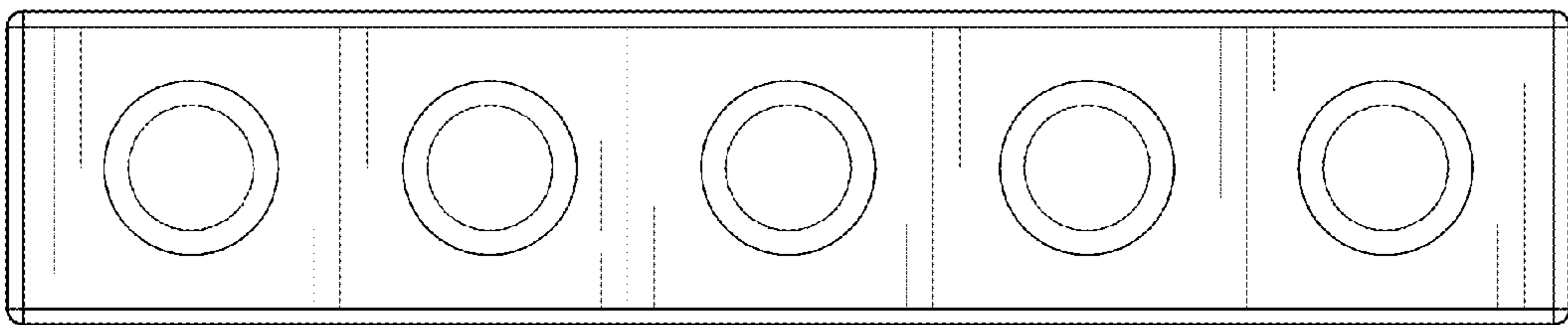


FIG. 6

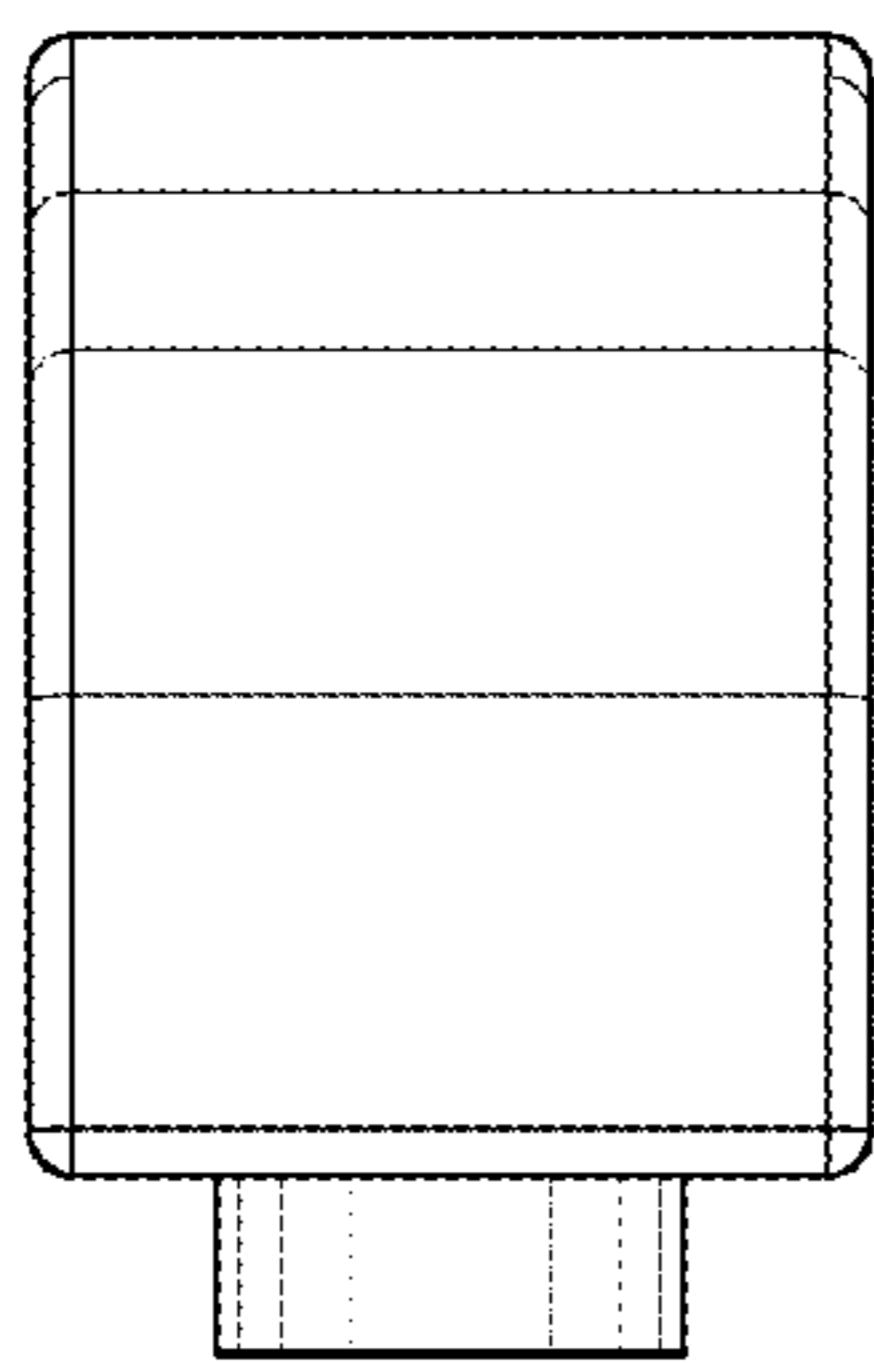


FIG. 7

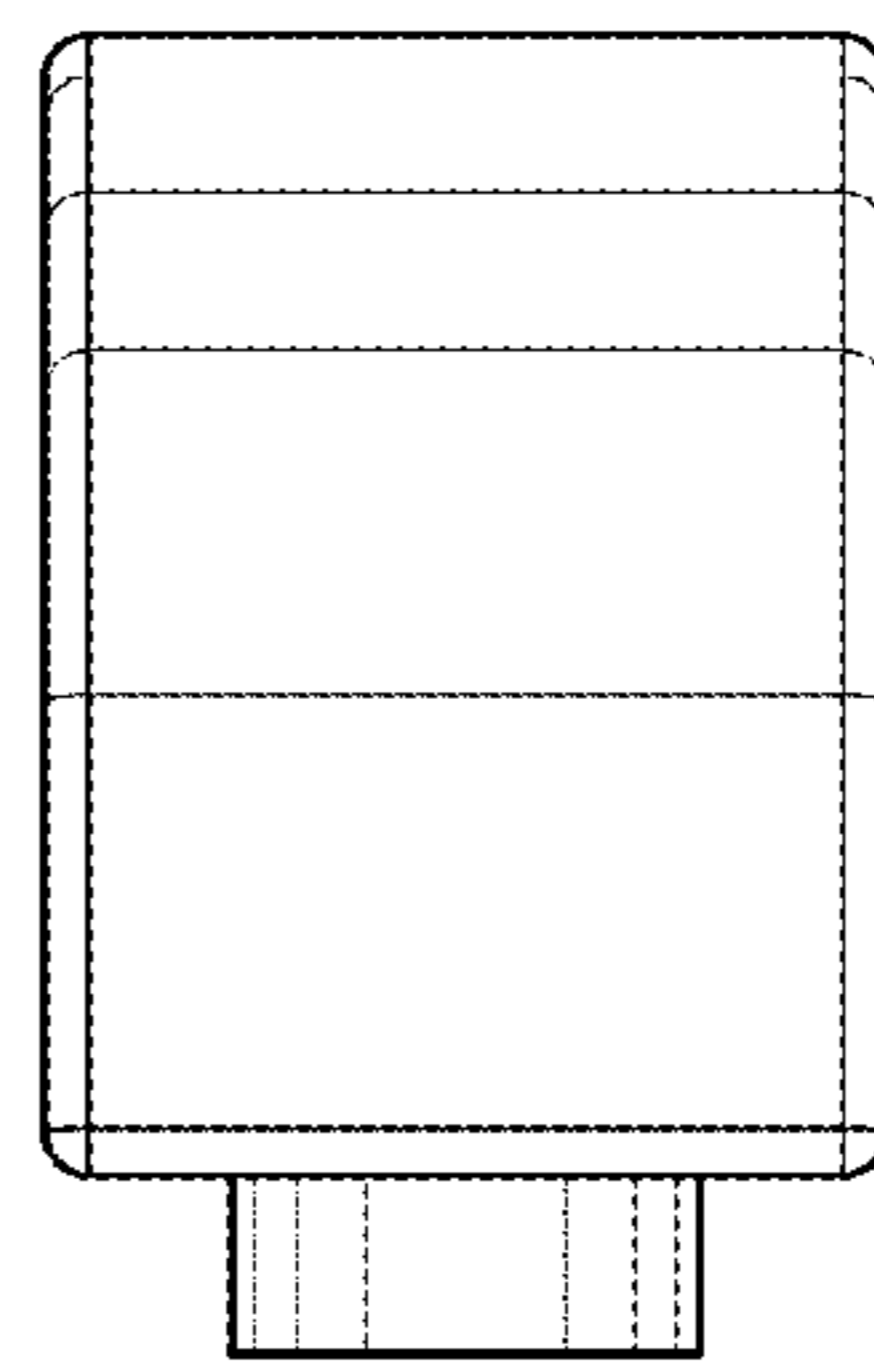


FIG. 8