



US00D761426S

(12) **United States Design Patent**  
**Morales et al.**

(10) **Patent No.:** **US D761,426 S**  
(45) **Date of Patent:** **\*\* Jul. 12, 2016**

(54) **HEART POSITIONER**

(71) Applicant: **AESCULAP AG**, Tuttlingen (DE)

(72) Inventors: **Pedro Morales**, Tuttlingen (DE);  
**Dominik Seyfried**, Königsfeld (DE);  
**Thekla Wütschke**, Uhingen (DE);  
**Anton Shu**, München (DE)

(73) Assignee: **AESCULAP AG**, Tuttlingen (DE)

(\*\*) Term: **14 Years**

(21) Appl. No.: **29/510,163**

(22) Filed: **Nov. 25, 2014**

(51) **LOC (10) Cl.** ..... **24-02**

(52) **U.S. Cl.**  
USPC ..... **D24/140**

(58) **Field of Classification Search**  
USPC ..... D24/140, 133, 143, 167, 199, 135;  
600/37, 201, 210, 217, 481; 606/205,  
606/206  
CPC ..... A61B 17/0206; A61B 17/22004;  
A61B 2017/2905; A61B 2017/308; A61B  
2017/02432; A61N 1/36114

See application file for complete search history.

(56) **References Cited**

U.S. PATENT DOCUMENTS

6,019,722 A *	2/2000	Spence	.....	A61B 17/0218 600/201
6,113,534 A *	9/2000	Koros	.....	A61B 17/02 600/213
D443,359 S *	6/2001	Nathanson	.....	D24/135
6,676,597 B2 *	1/2004	Guenst	.....	A61B 17/0206 600/37
D529,172 S *	9/2006	Schollhorn	.....	D24/135
2004/0082830 A1 *	4/2004	Guenst	.....	A61B 17/0206 600/37

\* cited by examiner

*Primary Examiner* — Wan Laymon

*Assistant Examiner* — Mark Booker

(74) *Attorney, Agent, or Firm* — Kenealy Vaidya LLP

(57) **CLAIM**

The ornamental design for a heart positioner, as shown and described.

**DESCRIPTION**

FIG. 1 is an upper perspective view of a heart positioner showing our new design;

FIG. 2 is a lower perspective view of the heart positioner;

FIG. 3 is a top view of the heart positioner;

FIG. 4 is a side view of the heart positioner; and,

FIG. 5 is a bottom view of the heart positioner.

**1 Claim, 4 Drawing Sheets**

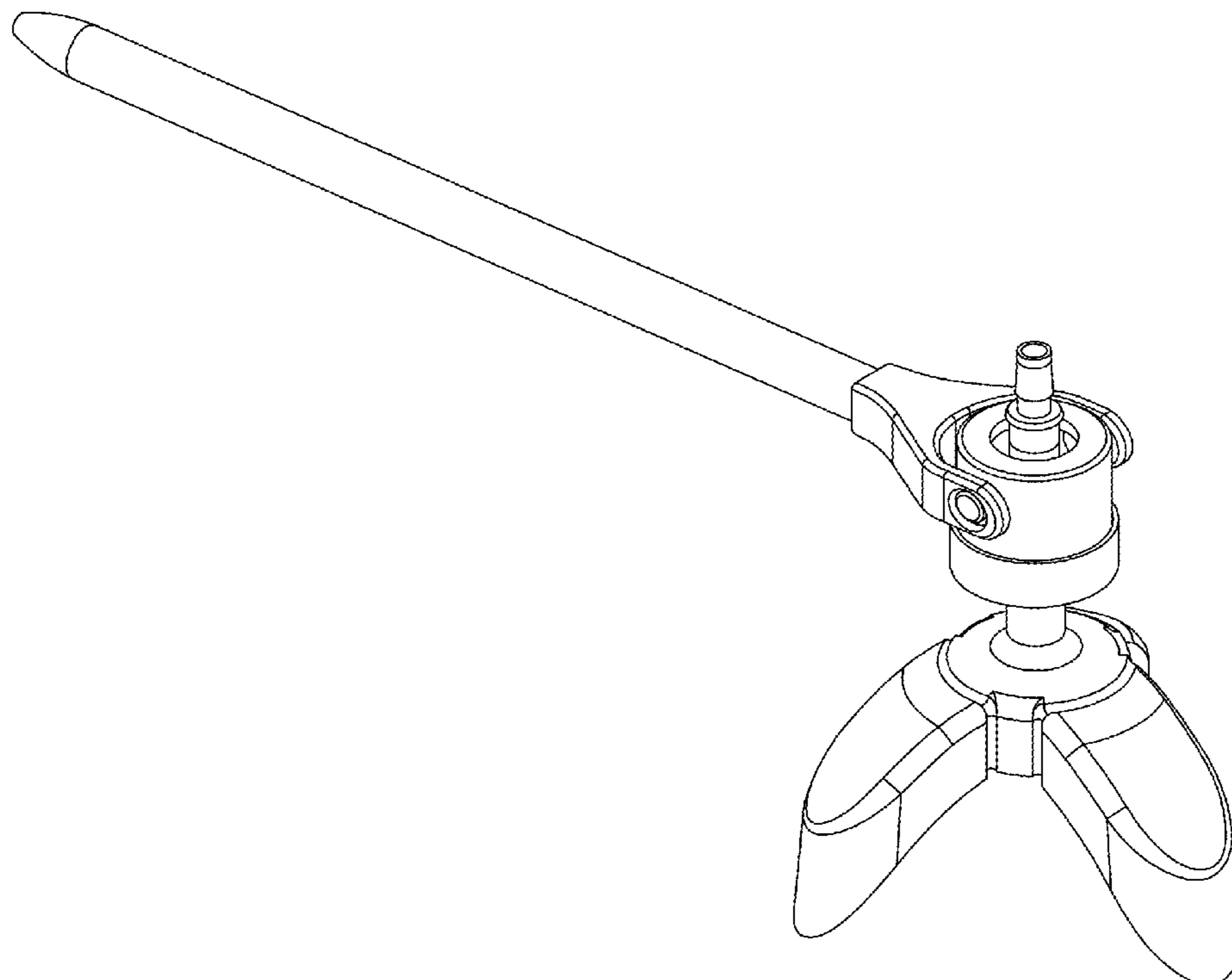


FIG. 1

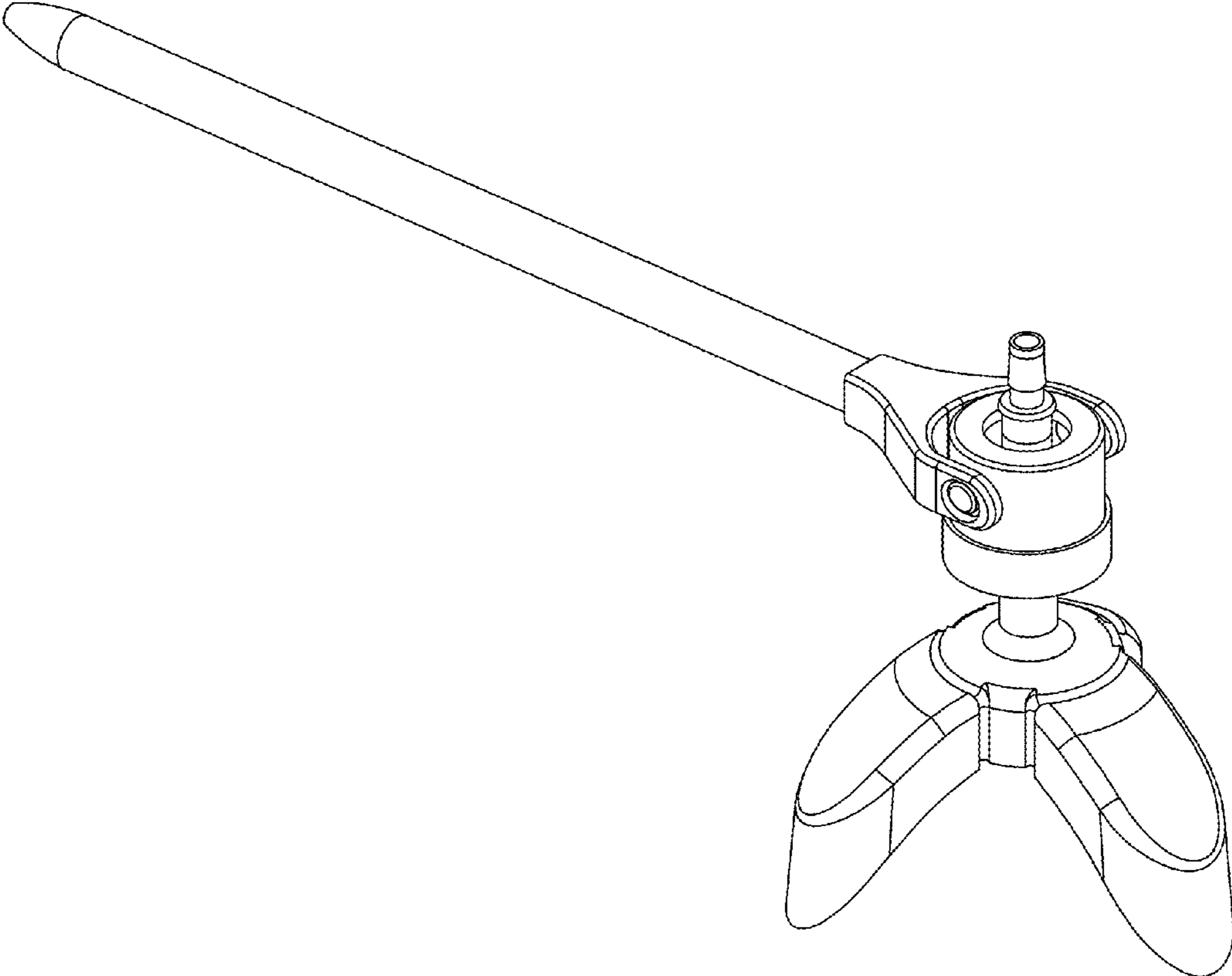


FIG. 2

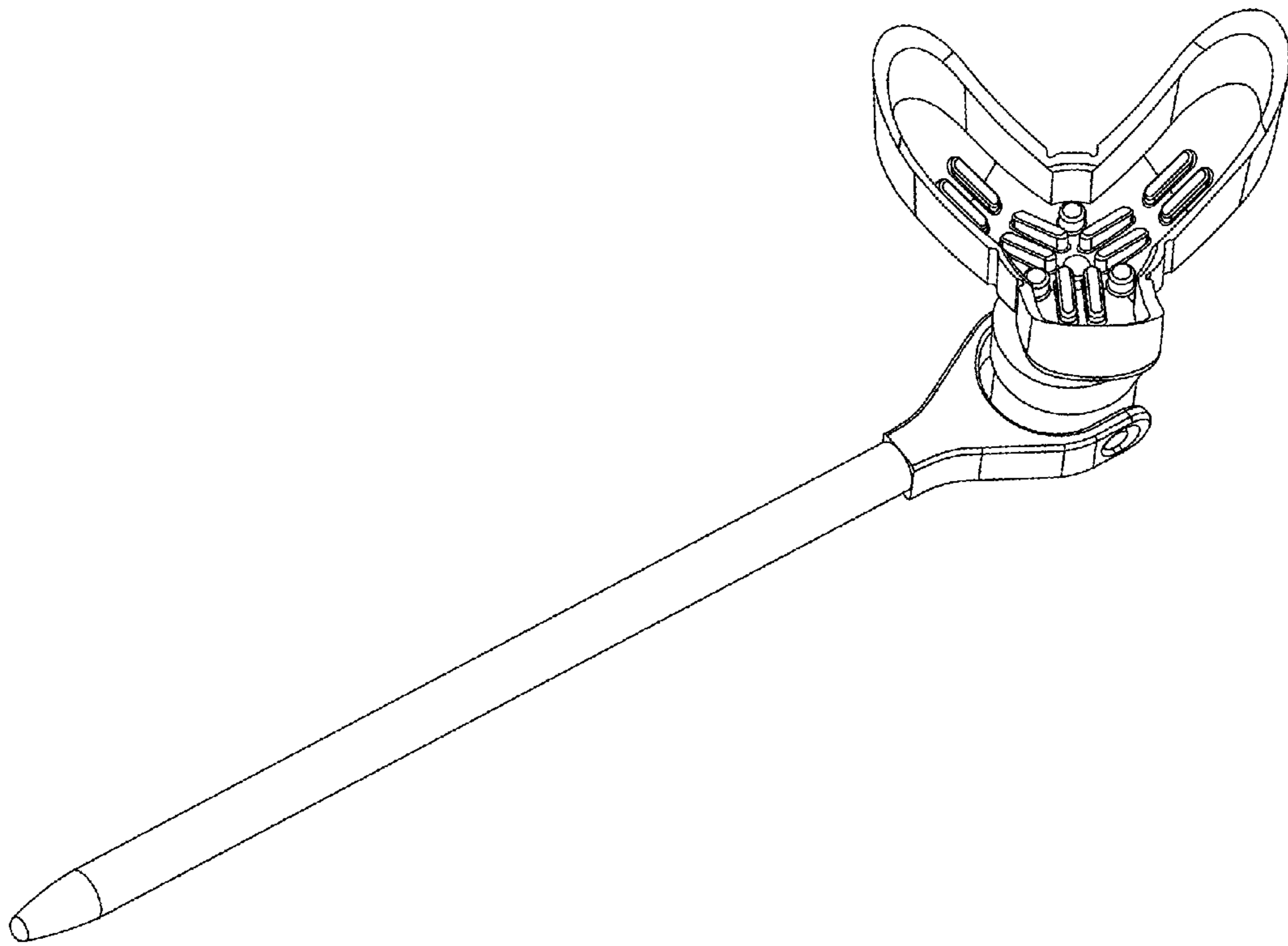


FIG. 3

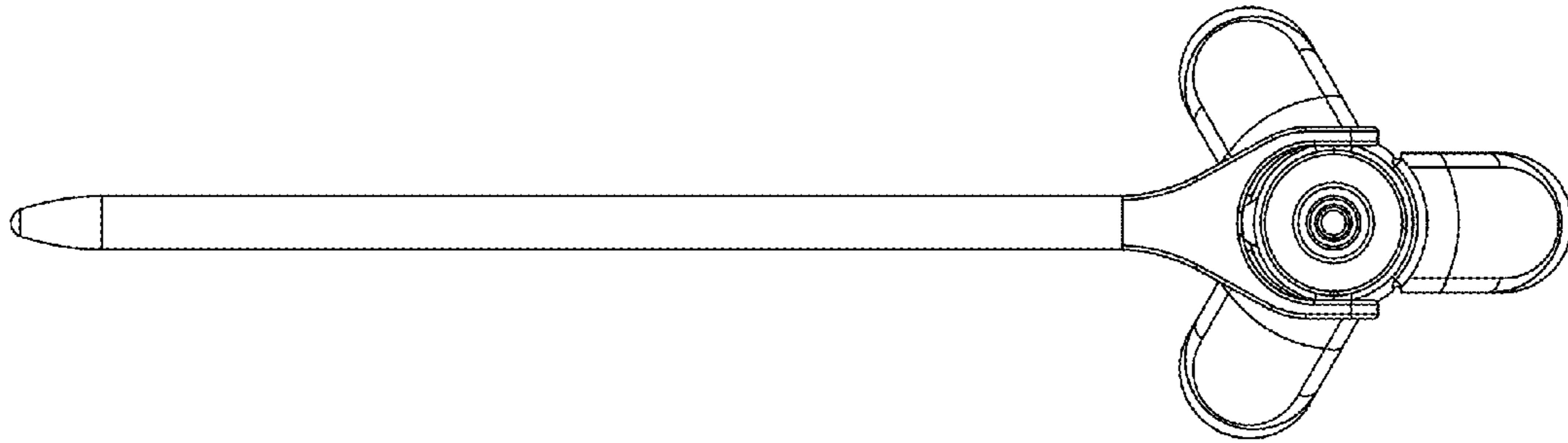


FIG. 4



FIG. 5

