



US00D761425S

(12) **United States Design Patent**
Kult

(10) **Patent No.:** **US D761,425 S**
(45) **Date of Patent:** **** Jul. 12, 2016**

(54) **ENDOSCOPE COVER**

(71) Applicant: **AESCULAP AG**, Tuttlingen (DE)

(72) Inventor: **Maurus Kult**, March (DE)

(73) Assignee: **AESCULAP AG**, Tuttlingen (DE)

(**) Term: **14 Years**

(21) Appl. No.: **29/476,530**

(22) Filed: **Dec. 13, 2013**

(30) **Foreign Application Priority Data**

Jun. 13, 2013 (EM) 001374508-0002

(51) **LOC (10) Cl.** **24-02**

(52) **U.S. Cl.**
USPC **D24/138**

(58) **Field of Classification Search**
USPC D24/138, 146-14, 143-144, 140, 130;
604/256, 254, 192; 606/184, 185, 46,
606/56

See application file for complete search history.

(56) **References Cited**

U.S. PATENT DOCUMENTS

- D420,131 S * 2/2000 Renner et al. D24/138
- 6,287,280 B1 * 9/2001 Lampropoulos
et al. 604/167.03
- D570,481 S * 6/2008 Rehbein et al. D24/133
- D571,007 S * 6/2008 Rehbein et al. D24/133

- D610,682 S * 2/2010 Stefan D24/140
- D620,108 S * 7/2010 Eitenmueller et al. D24/144
- D622,846 S * 8/2010 Frey D24/138
- D635,668 S * 4/2011 Bartlett et al. D24/138
- D650,077 S * 12/2011 Becker D24/138
- D666,715 S * 9/2012 Becker D24/138
- D715,431 S * 10/2014 Vonck et al. D24/133
- D716,942 S * 11/2014 Eisenkolb et al. D24/138
- 2008/0294184 A1 * 11/2008 Smith 606/185

* cited by examiner

Primary Examiner — Ian Simmons

Assistant Examiner — Samantha Q Lawrence

(74) *Attorney, Agent, or Firm* — Kenealy Vaidya LLP

(57) **CLAIM**

The ornamental design for an endoscope cover, as shown and described.

DESCRIPTION

FIG. 1 is a perspective view of an endoscope cover showing our new design;

FIG. 2 is a first side view of the endoscope cover;

FIG. 3 is a second side view of the endoscope cover;

FIG. 4 is a third side view of the endoscope cover;

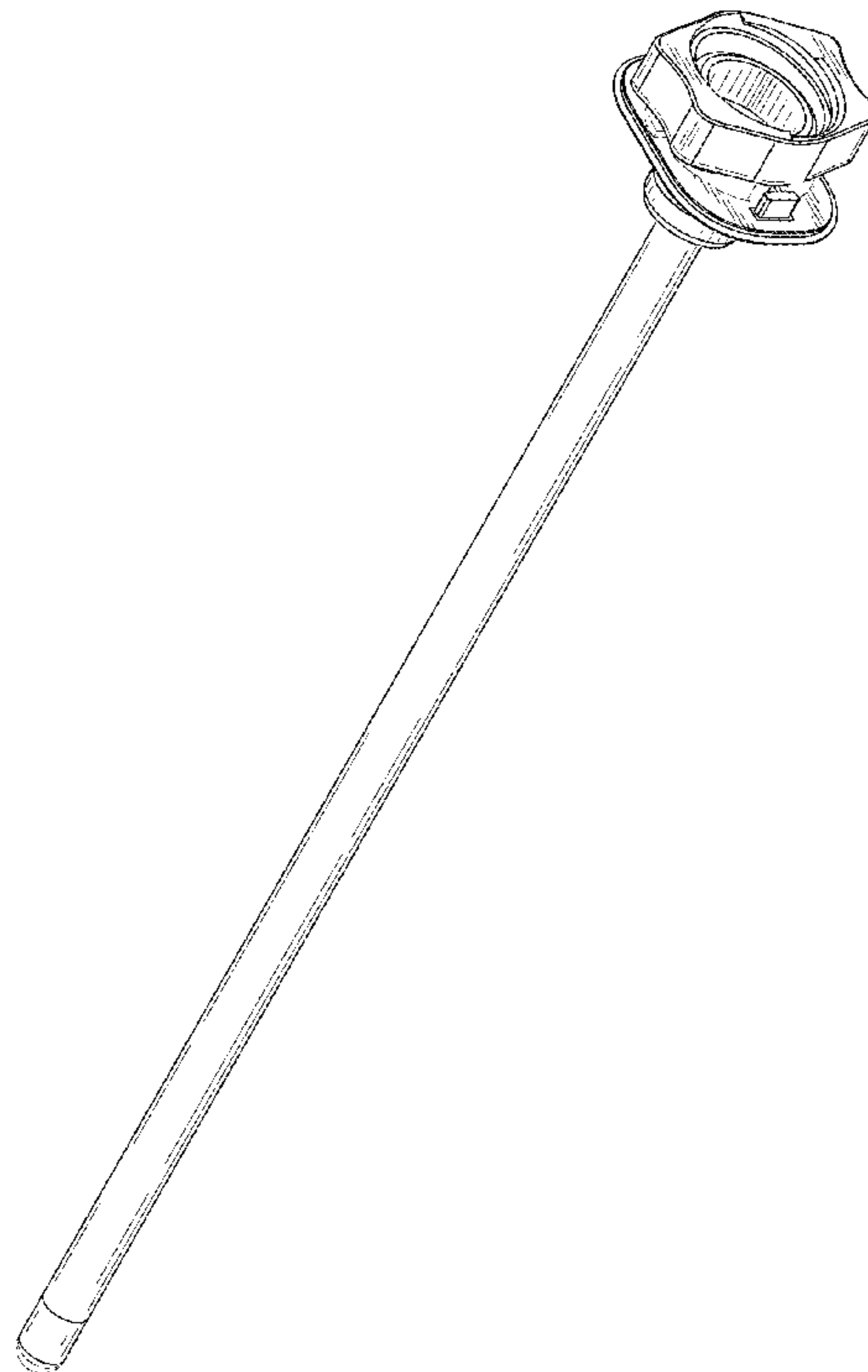
FIG. 5 is a fourth side view of the endoscope cover;

FIG. 6 is a top plan view of the endoscope cover; and,

FIG. 7 is a bottom plan view of the endoscope cover.

The broken lines shown in FIGS. 1-7 illustrate portions of the endoscope cover that form no part of the claimed design.

1 Claim, 4 Drawing Sheets



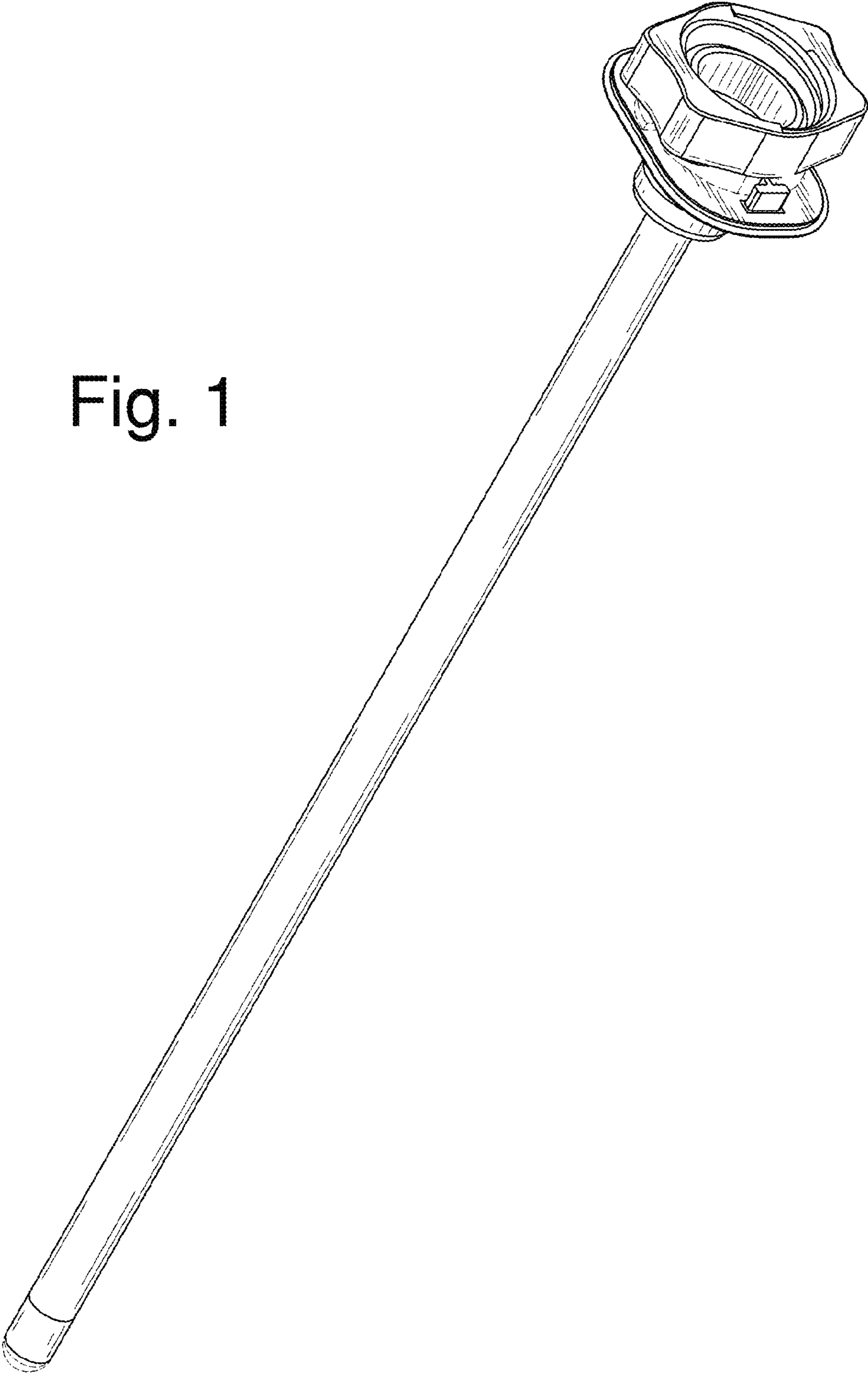


Fig. 1

Fig. 2

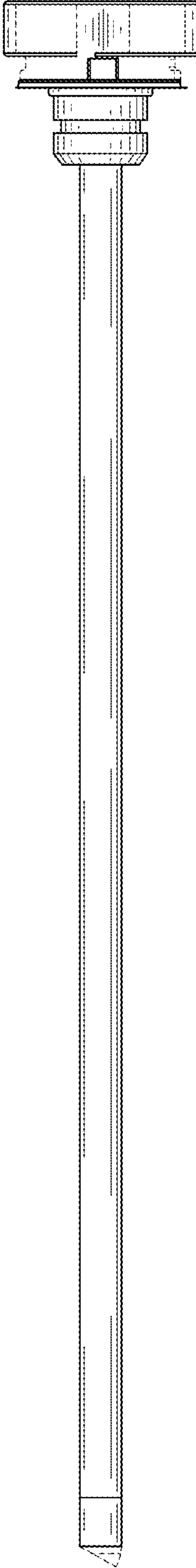


Fig. 3

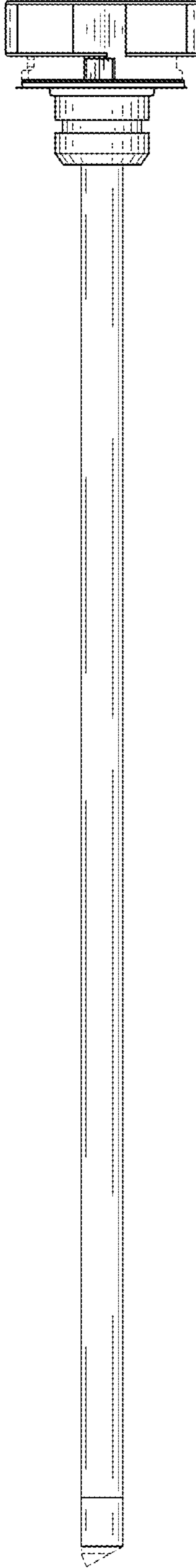


Fig. 4

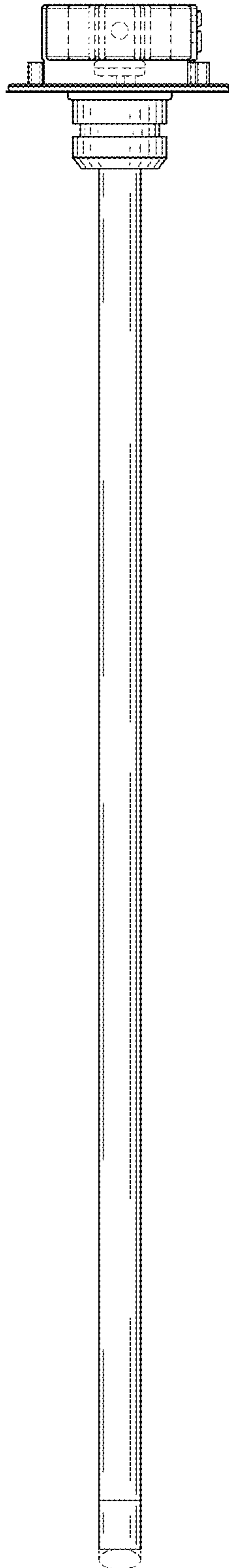


Fig. 5

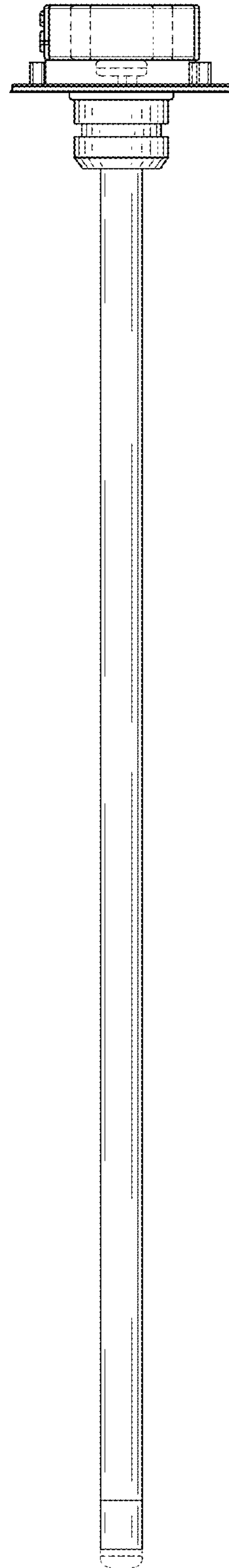


Fig. 6

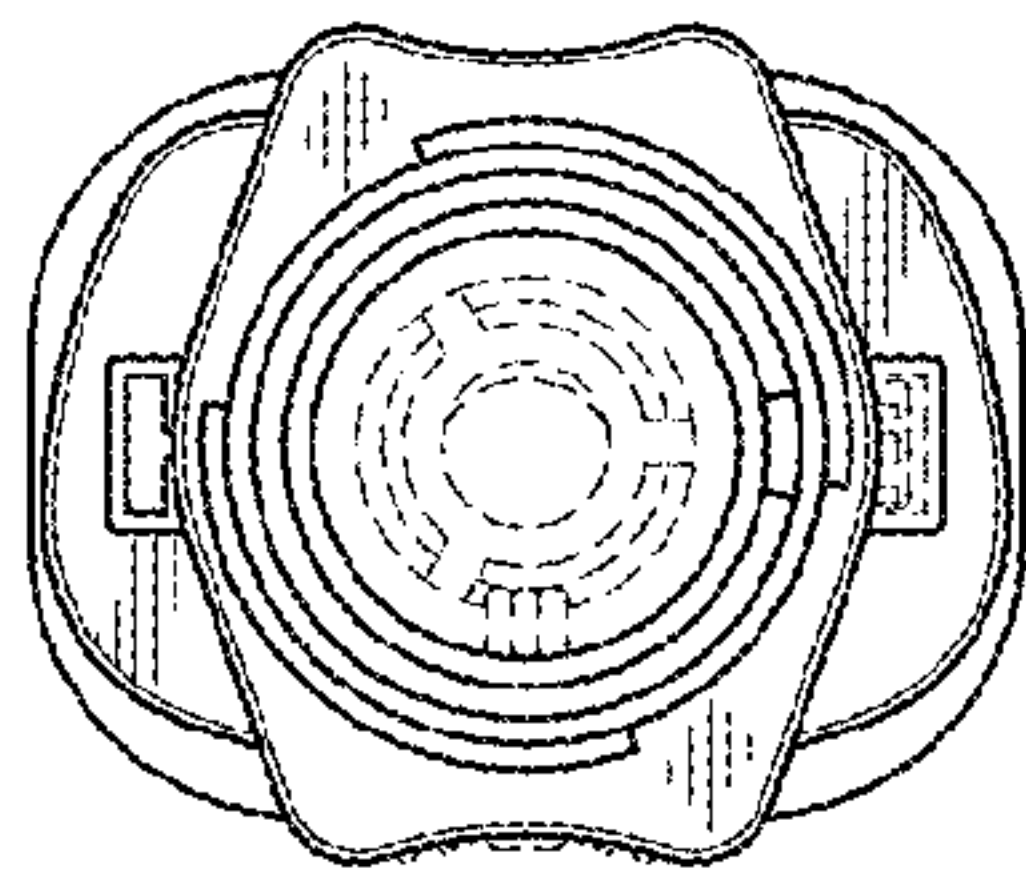


Fig. 7

