



US00D761422S

(12) **United States Design Patent**  
**Row et al.**

(10) **Patent No.:** **US D761,422 S**  
(45) **Date of Patent:** **\*\* Jul. 12, 2016**

- (54) **AIR DELIVERY TUBE WITH CUFF**
- (71) Applicant: **ResMed Limited**, Bella Vista (AU)
- (72) Inventors: **Nathan John Row**, Sydney (AU);  
**Alexander Virr**, Gosford (AU);  
**Nicholas Andrew Earl**, Essex (GB);  
**Mark Bertinetti**, Sydney (AU); **Phoebe Katherine Hill**, Sydney (AU)

- 4,621,632 A 11/1986 Bartels et al.
- 4,714,279 A 12/1987 Custeau
- 5,054,156 A 10/1991 Watanabe et al.
- 5,309,902 A 5/1994 Kee et al.
- 5,336,192 A 8/1994 Palestrant
- 5,382,242 A 1/1995 Horton et al.
- 5,429,398 A 7/1995 Lupke
- 5,762,382 A 6/1998 Perneti et al.

(Continued)

- (73) Assignee: **RESMED LIMITED**, Bella Vista (AU)
- (\*\*) Term: **15 Years**

**FOREIGN PATENT DOCUMENTS**

- GB 1030840 5/1966
- WO 2006/019323 2/2006

(Continued)

- (21) Appl. No.: **29/543,373**
- (22) Filed: **Oct. 23, 2015**

**OTHER PUBLICATIONS**

New Zealand Examination Report issued in corresponding NZ Appln. No. 579384 (Feb. 4, 2011).

(Continued)

**Related U.S. Application Data**

- (63) Continuation of application No. 29/460,608, filed on Jul. 12, 2013, now Pat. No. Des. 742,508, which is a continuation of application No. 12/461,967, filed on Aug. 28, 2009.

*Primary Examiner* — Garth Rademaker  
*Assistant Examiner* — Samantha Q Lawrence  
 (74) *Attorney, Agent, or Firm* — Nixon & Vanderhye, P.C.

- (51) **LOC (10) Cl.** ..... **24-02**
- (52) **U.S. Cl.**  
USPC ..... **D24/129**
- (58) **Field of Classification Search**  
USPC ..... D24/107, 110.6, 112-118, 120, 121,  
D24/127, 129, 130, 131; 606/107, 6.38;  
623/6.12; 600/5, 356; 128/200.24,  
128/201.22, 202.27, 203.27, 204.18,  
128/205.25, 206.15, 206.21  
See application file for complete search history.

- (57) **CLAIM**  
The ornamental design for an air delivery tube with cuff, as shown and described.

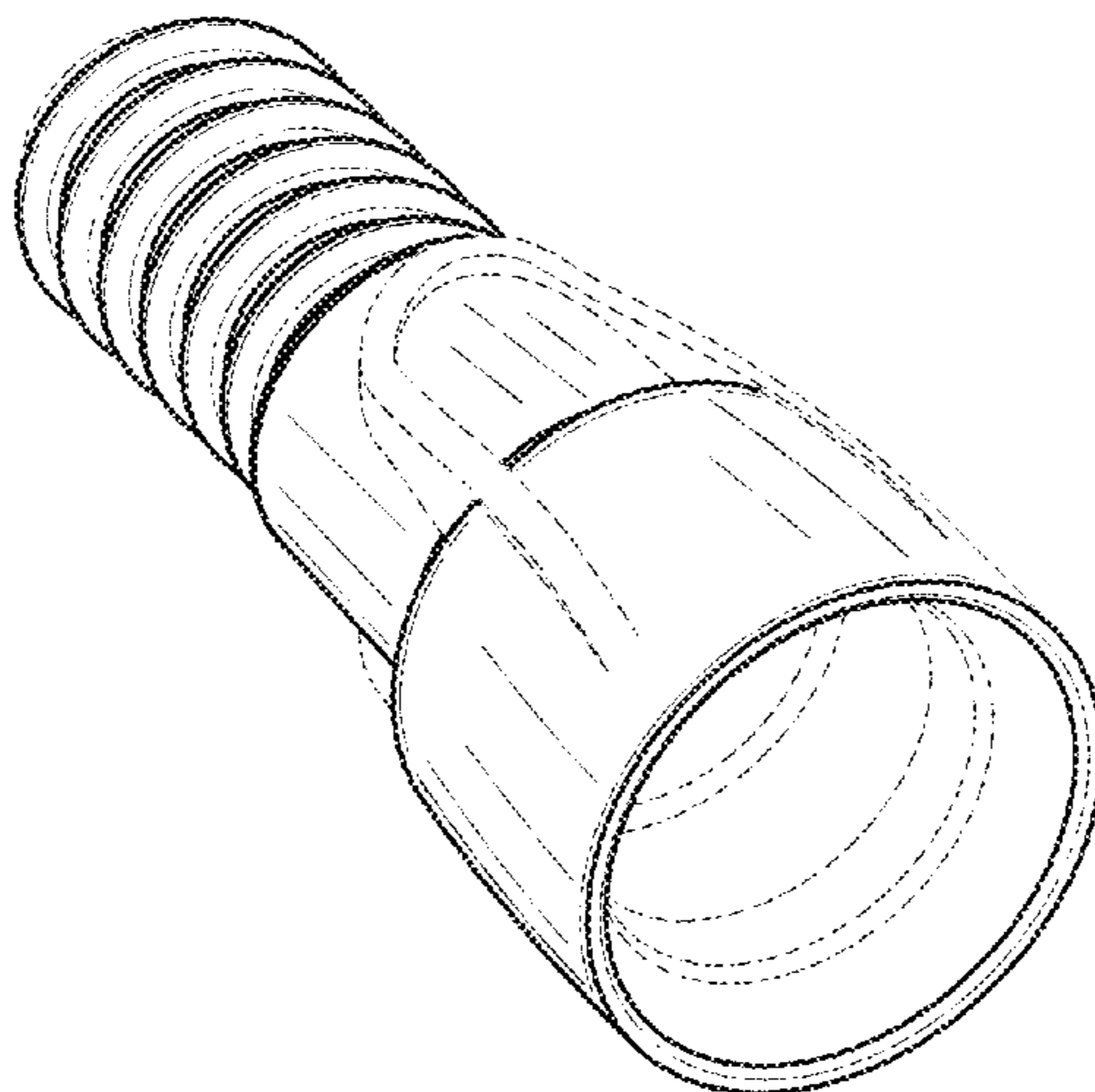
**DESCRIPTION**

FIG. 1 is a front perspective view of an air delivery tube with cuff according to our new ornamental design;  
 FIG. 2 is a rear perspective view thereof;  
 FIG. 3 is a top view thereof;  
 FIG. 4 is a front view thereof;  
 FIG. 5 is a right side view thereof; and,  
 FIG. 6 is a left side view thereof.  
 The broken lines shown in FIGS. 1-6 illustrate portions of the air delivery tube with cuff that form no part of the claimed design.

- (56) **References Cited**  
U.S. PATENT DOCUMENTS

- 2,073,335 A 3/1937 Connell
- 2,516,864 A 8/1950 Gilmore
- 3,388,705 A 6/1968 Grosshandler
- 4,188,081 A 2/1980 Holden
- 4,437,691 A 3/1984 Laney

**1 Claim, 2 Drawing Sheets**



(56)

References Cited

U.S. PATENT DOCUMENTS

6,099,046 A \* 8/2000 Oh ..... F16L 25/0036  
285/353

D454,637 S 3/2002 Nestenborg  
D476,731 S 7/2003 Cise et al.  
D486,909 S 2/2004 Cise et al.  
6,691,707 B1 2/2004 Gunaratnam et al.  
6,892,729 B2 5/2005 Smith et al.  
6,953,354 B2 10/2005 Edirisuriya  
7,226,302 B2 6/2007 Walter et al.  
D628,288 S 11/2010 Row et al.  
D629,891 S 12/2010 Virr et al.  
D629,892 S \* 12/2010 Hill ..... D24/129  
7,874,292 B2 1/2011 Smith et al.  
D638,536 S 5/2011 Row et al.  
D638,537 S \* 5/2011 Virr ..... D24/129  
D638,933 S 5/2011 Hill  
D650,479 S 12/2011 Row et al.  
D652,916 S \* 1/2012 Row ..... D24/129  
D652,917 S 1/2012 Hill  
8,100,127 B2 1/2012 Worley  
D655,813 S 3/2012 Row et al.  
D671,209 S 11/2012 Row  
8,360,059 B2 \* 1/2013 Koulechov ..... A61M 16/0875  
128/203.27

D677,789 S 3/2013 Row et al.  
8,783,298 B2 \* 7/2014 Zucker ..... A61M 16/0875  
138/120

8,905,031 B2 \* 12/2014 Barlow ..... A61M 16/0666  
128/206.25

D736,371 S \* 8/2015 Row ..... D24/129

2007/0040378 A1 2/2007 Sheppard et al.  
2007/0218734 A1 9/2007 Walter et al.  
2007/0277828 A1 12/2007 Ho et al.  
2008/0054635 A1 3/2008 Skiba et al.  
2008/0066756 A1 3/2008 Lang et al.  
2008/0077176 A1 3/2008 Hanlon et al.  
2008/0105257 A1 5/2008 Klasek et al.

2009/0126817 A1 5/2009 Gray  
2010/0083965 A1 4/2010 Virr et al.  
2010/0116272 A1 5/2010 Row  
2010/0236552 A1 9/2010 Kwok et al.

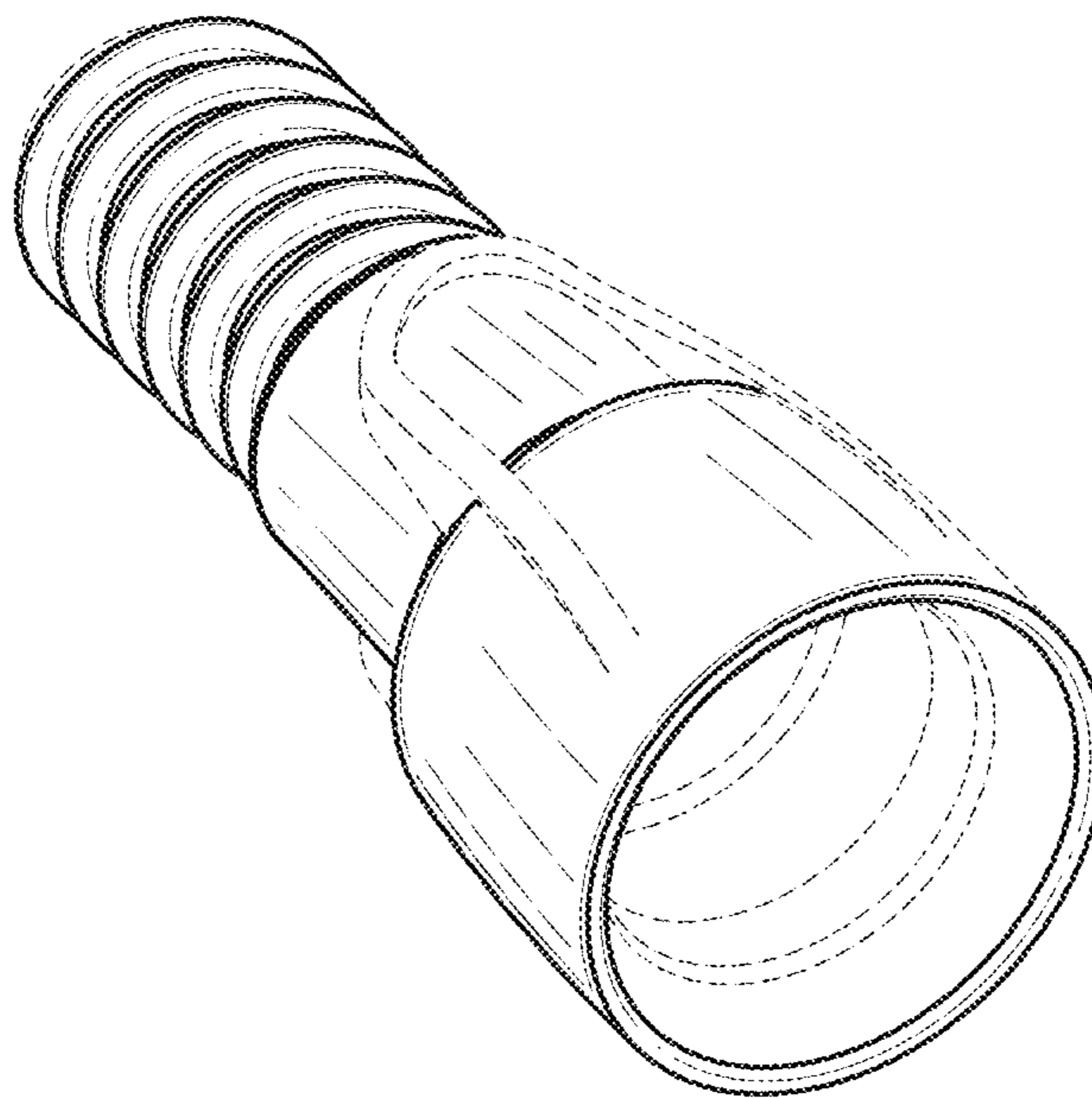
FOREIGN PATENT DOCUMENTS

WO WO 2006/133480 12/2006  
WO 2008095245 8/2008  
WO WO 2009/077045 6/2009  
WO 2010/031126 3/2010

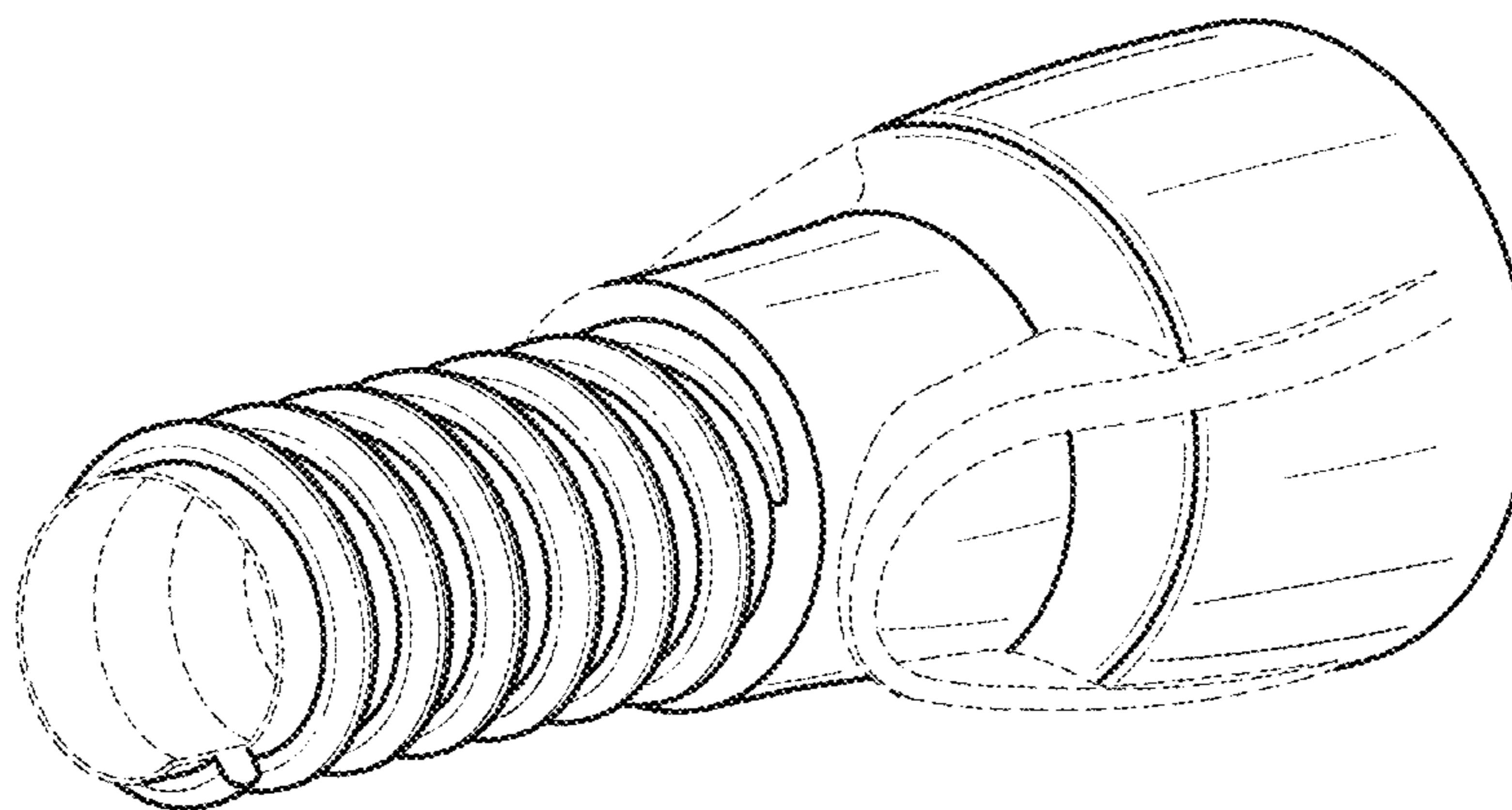
OTHER PUBLICATIONS

New Zealand Examination Report for NZ Appln. No. 605324, dated Jan. 7, 2013, 2 pages.  
Australian Patent Examination Report No. 1 for AU Application No. 2009212880, dated Jan. 14, 2013, 2 pages.  
Examination Report issued in related NZ Appln. No. 597179 (Dec. 20, 2011).  
New Zealand Further Examination Report for NZ Appln. No. 597179, dated Apr. 10, 2013, 1 page.  
Examination Report issued in related NZ Appln. No. 589766 (Mar. 12, 2012).  
Design U.S. Appl. No. 29/443,523, filed Jan. 18, 2013 (pending).  
Non-final Office Action issued in related U.S. Appl. No. 12/461,967 dated Jan. 29, 2016 (63 pages).  
Patent Examination Report No. 1 issued in related Australian Application No. 2014201737, dated May 18, 2015 (3 pages).  
Patent Examination Report issued in related Australian Application No. 2014201737, dated Nov. 18, 2015, (2 pages).  
Notice of Opposition to Grant of Patent and Application Under Regulation 168 for Extension of Time issued in related New Zealand Application No. 625975, dated Oct. 27, 2015, (3 pages).  
Further Examination Report issued in corresponding New Zealand Application No. 625795 dated Sep. 8, 2014, 2 pages.

\* cited by examiner



**FIG. 1**



**FIG. 2**

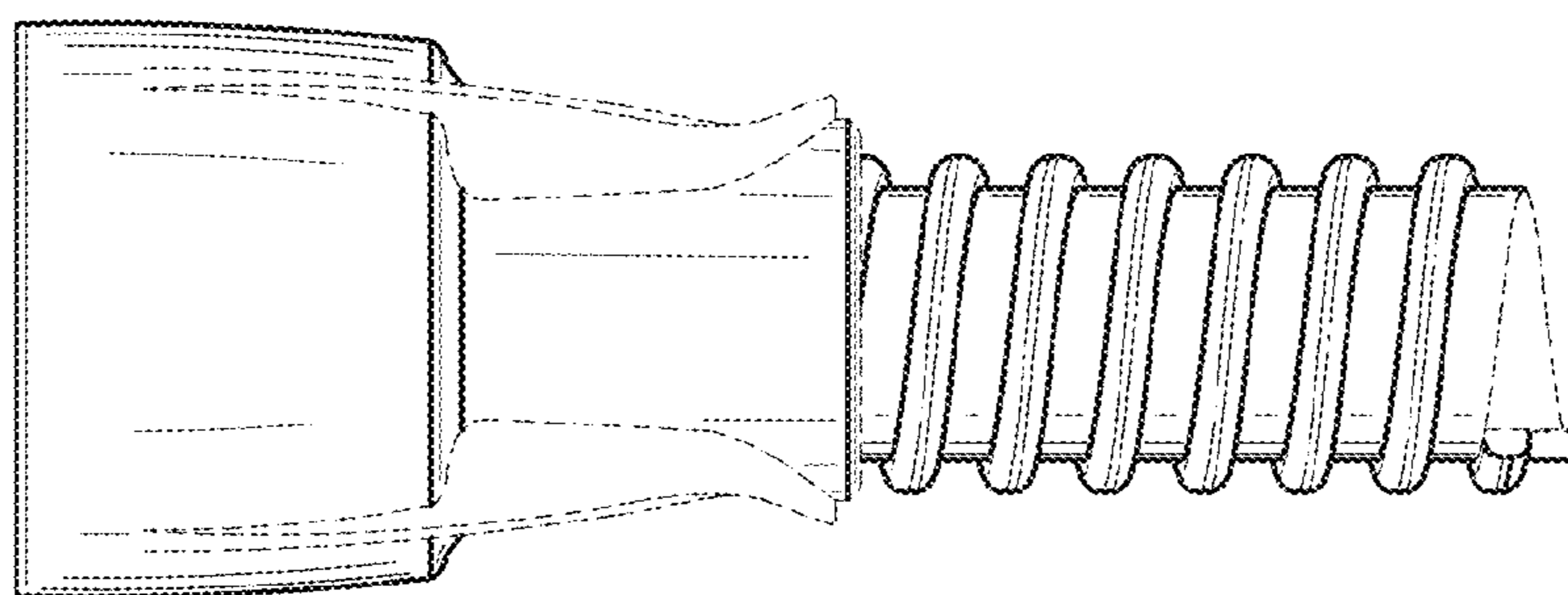


FIG. 3

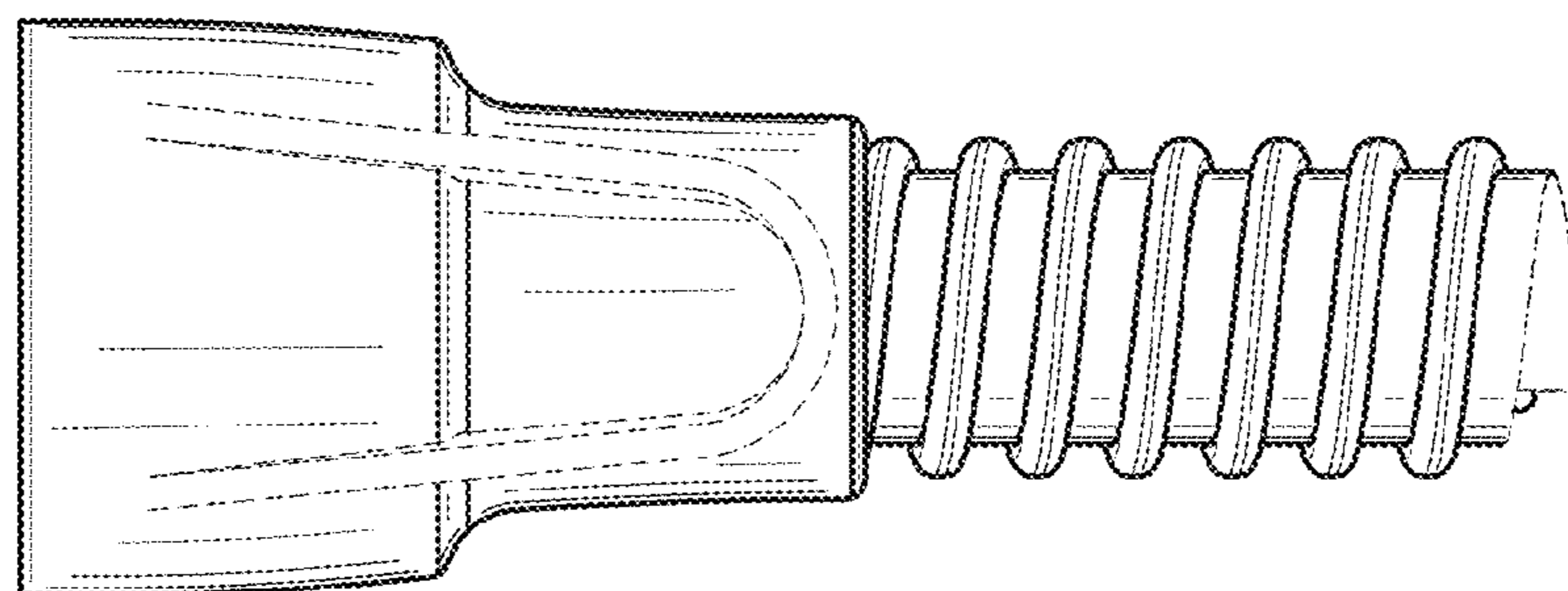


FIG. 4

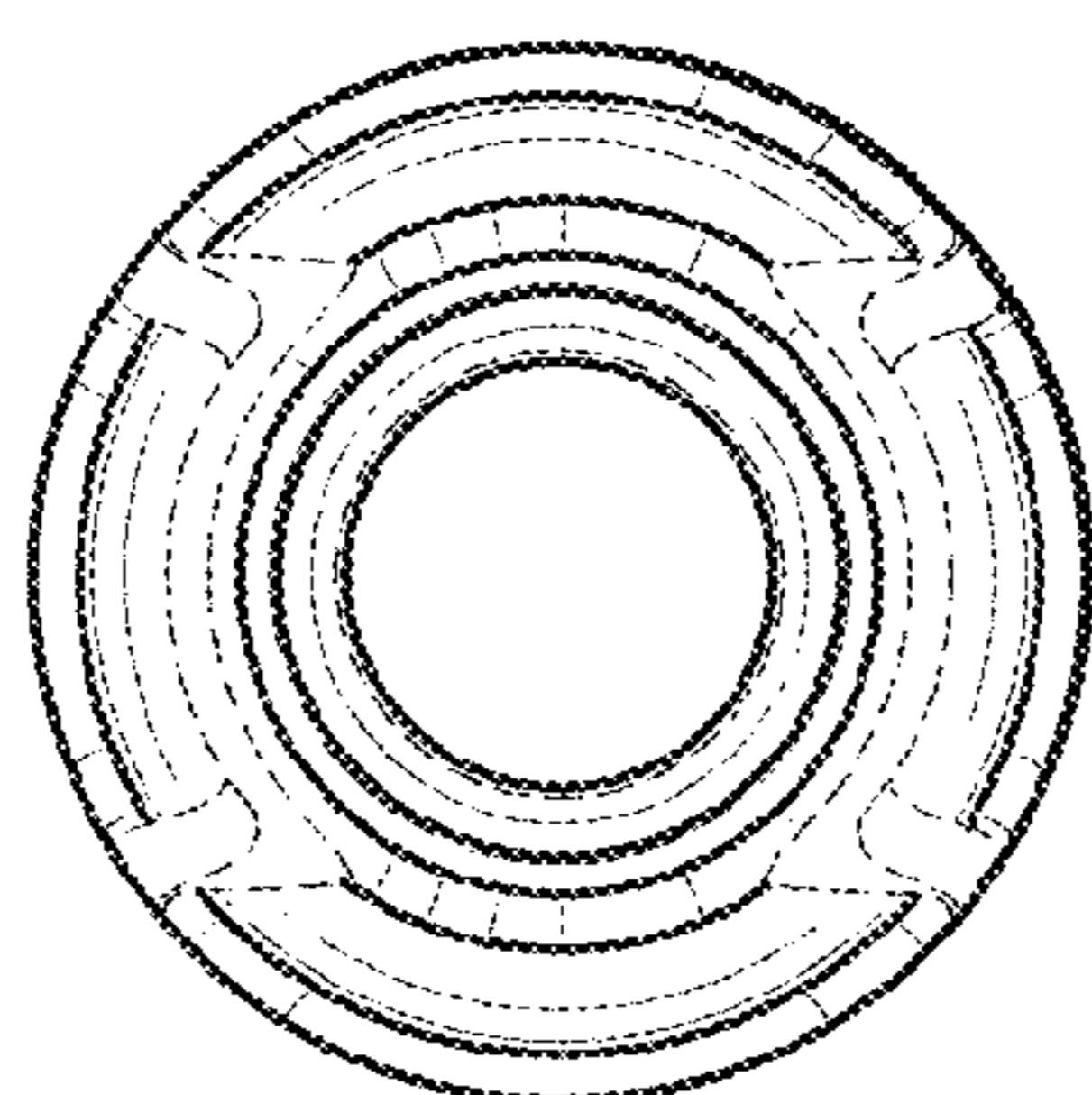


FIG. 5

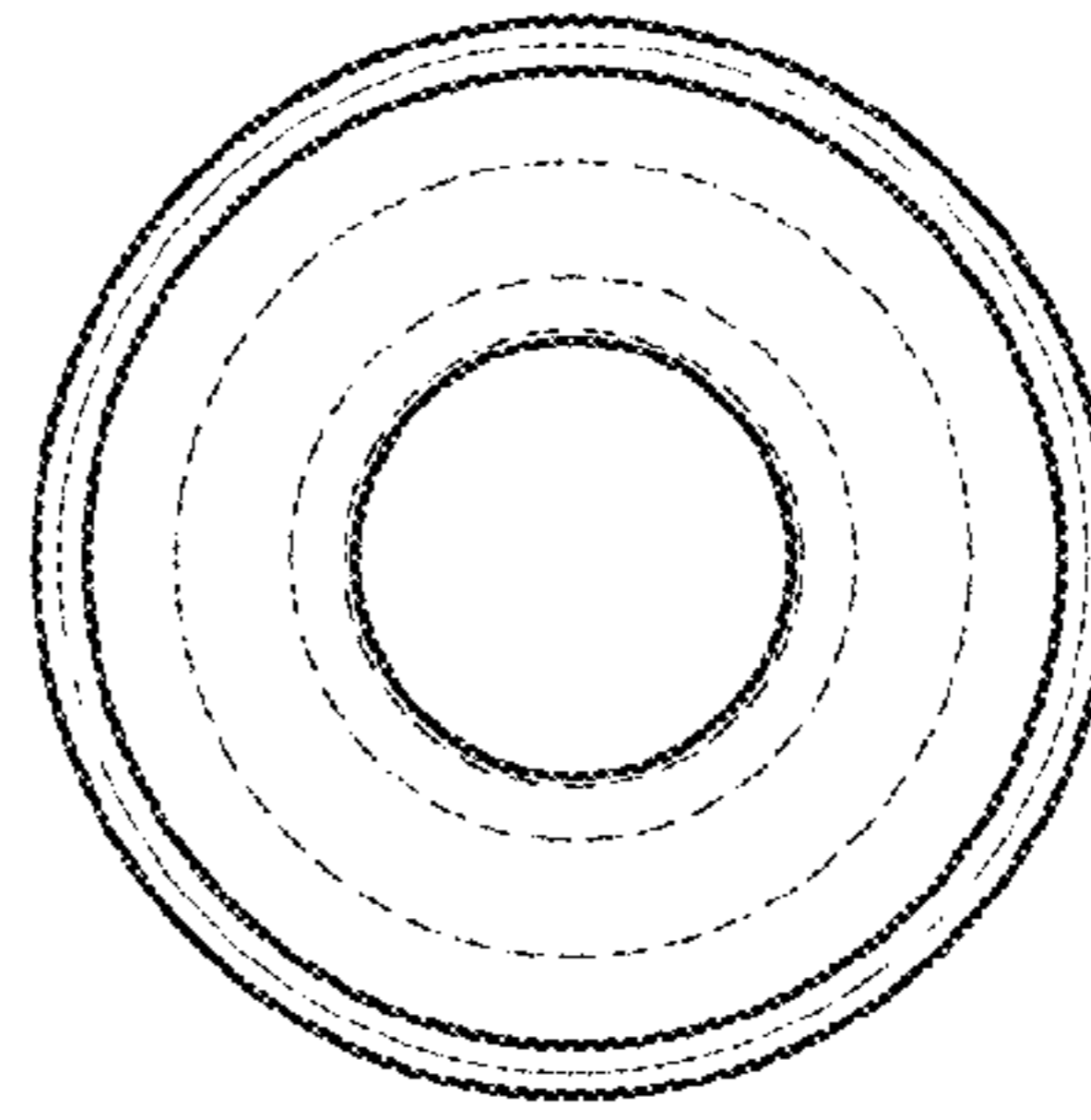


FIG. 6