

US00D761421S

(12) **United States Design Patent**
Nakagami et al.

(10) **Patent No.:** **US D761,421 S**
(45) **Date of Patent:** **** Jul. 12, 2016**

- (54) **MEDICAL CONNECTOR**
- (71) Applicant: **NIPRO CORPORATION**, Osaka-shi, Osaka (JP)
- (72) Inventors: **Hiroyuki Nakagami**, Osaka (JP); **Tatsuya Kudo**, Osaka (JP); **Shingo Sakamoto**, Osaka (JP)
- (73) Assignee: **NIPRO CORPORATION**, Osaka-Shi (JP)

6,419,643 B1 * 7/2002 Shimada A61B 17/3415
600/585
D482,447 S * 11/2003 Harding D24/129
D625,003 S * 10/2010 Stephens D24/129
D691,261 S * 10/2013 Kawamura D24/130
8,715,248 B2 * 5/2014 McKinnon A61M 39/045
422/50
D732,664 S * 6/2015 Woehr D24/130
D736,914 S * 8/2015 Schultz D24/129
D746,446 S * 12/2015 Turturro D24/129
D750,236 S * 2/2016 Maurice D24/129
D750,775 S * 3/2016 Carrel D24/130
2008/0306469 A1 12/2008 Masuda et al.

(**) Term: **14 Years**

FOREIGN PATENT DOCUMENTS

- (21) Appl. No.: **29/521,617**
- (22) Filed: **Mar. 25, 2015**
- (51) **LOC (10) Cl.** **24-02**
- (52) **U.S. Cl.**
USPC **D24/129**
- (58) **Field of Classification Search**
USPC D24/127-131, 112-114, 133, 186;
606/181, 185; 604/264, 523-528, 272,
604/187, 158, 164.01-164.11, 181, 184,
604/227; 600/101, 139, 143; 128/200.24,
128/207.14, 207.15
CPC A61M 25/00; A61M 39/00; A61M 27/00;
A61M 25/0043; A61M 25/0067; A61M
25/0097; A61F 2/958
See application file for complete search history.

JP 1-139077 A 5/1989
JP 2009-011820 A 1/2009
JP 14819056 S 10/2013

* cited by examiner

Primary Examiner — David Muller
(74) *Attorney, Agent, or Firm* — Birch, Stewart, Kolasch & Birch, LLP

(57) **CLAIM**
The ornamental design for a medical connector, as shown and described.

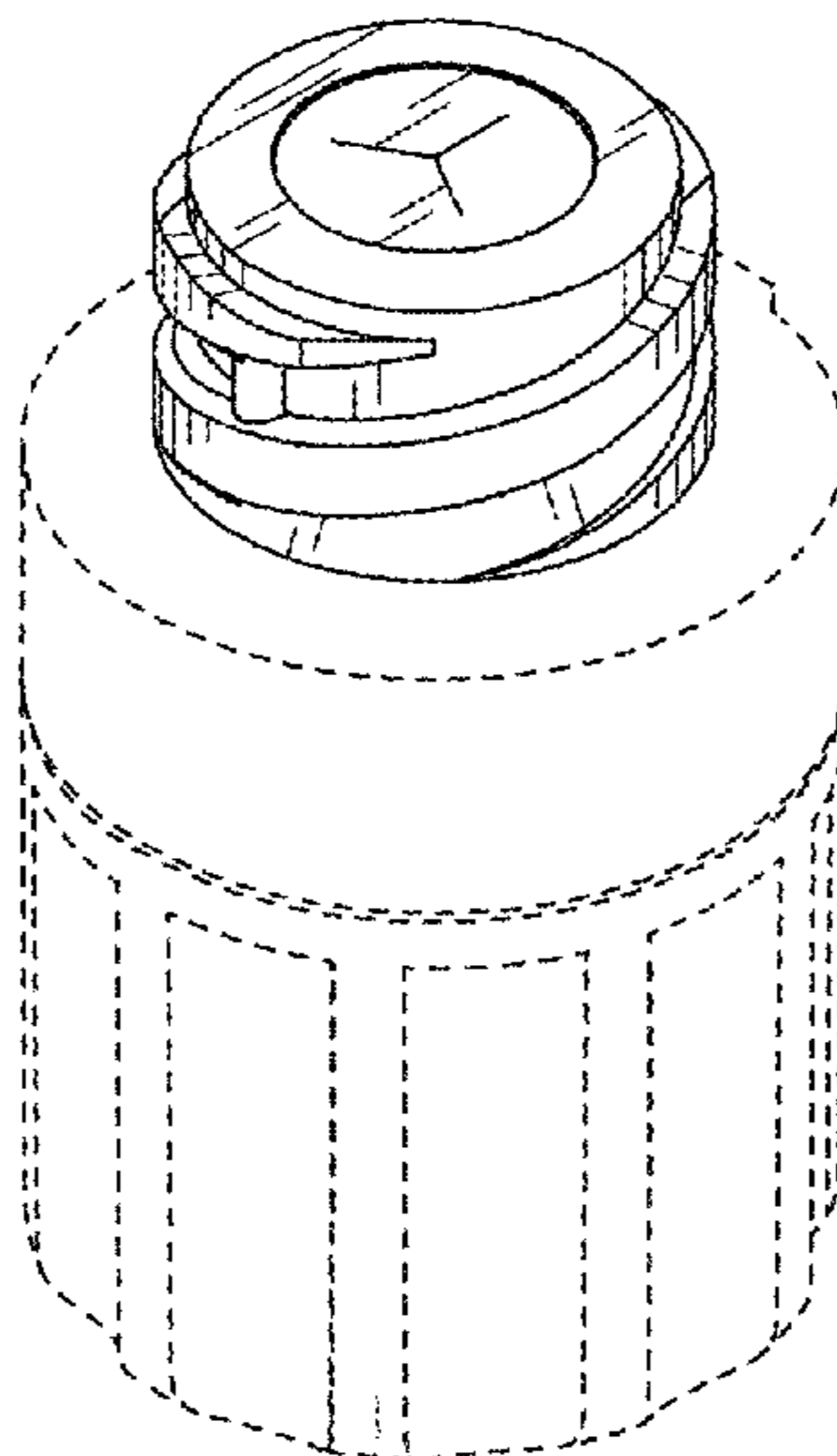
DESCRIPTION

FIG. 1 is a perspective view of a medical connector;
FIG. 2 is a front view thereof;
FIG. 3 is a rear view thereof;
FIG. 4 is a left side view thereof;
FIG. 5 is a right side view thereof; and,
FIG. 6 is a top view thereof, including a Y-shaped slit.
The features shown in broken lines depict environmental structure only and form no part of the claimed design.

(56) **References Cited**
U.S. PATENT DOCUMENTS

4,895,565 A 1/1990 Hillstead
D321,251 S * 10/1991 Jepson D24/112
D439,663 S * 3/2001 Guala D24/129
D453,221 S * 1/2002 Haytman D24/129

1 Claim, 4 Drawing Sheets



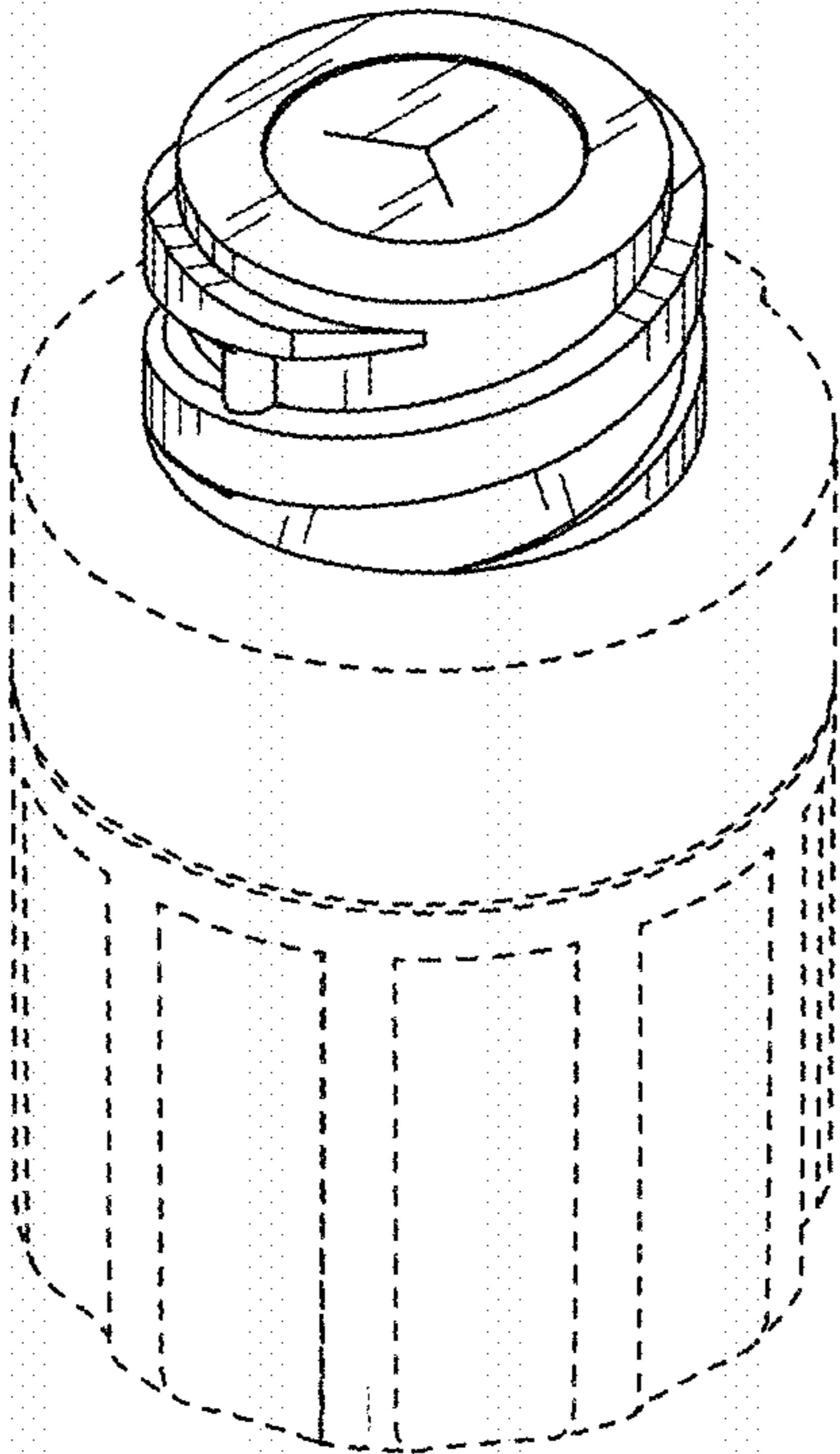


FIG. 1

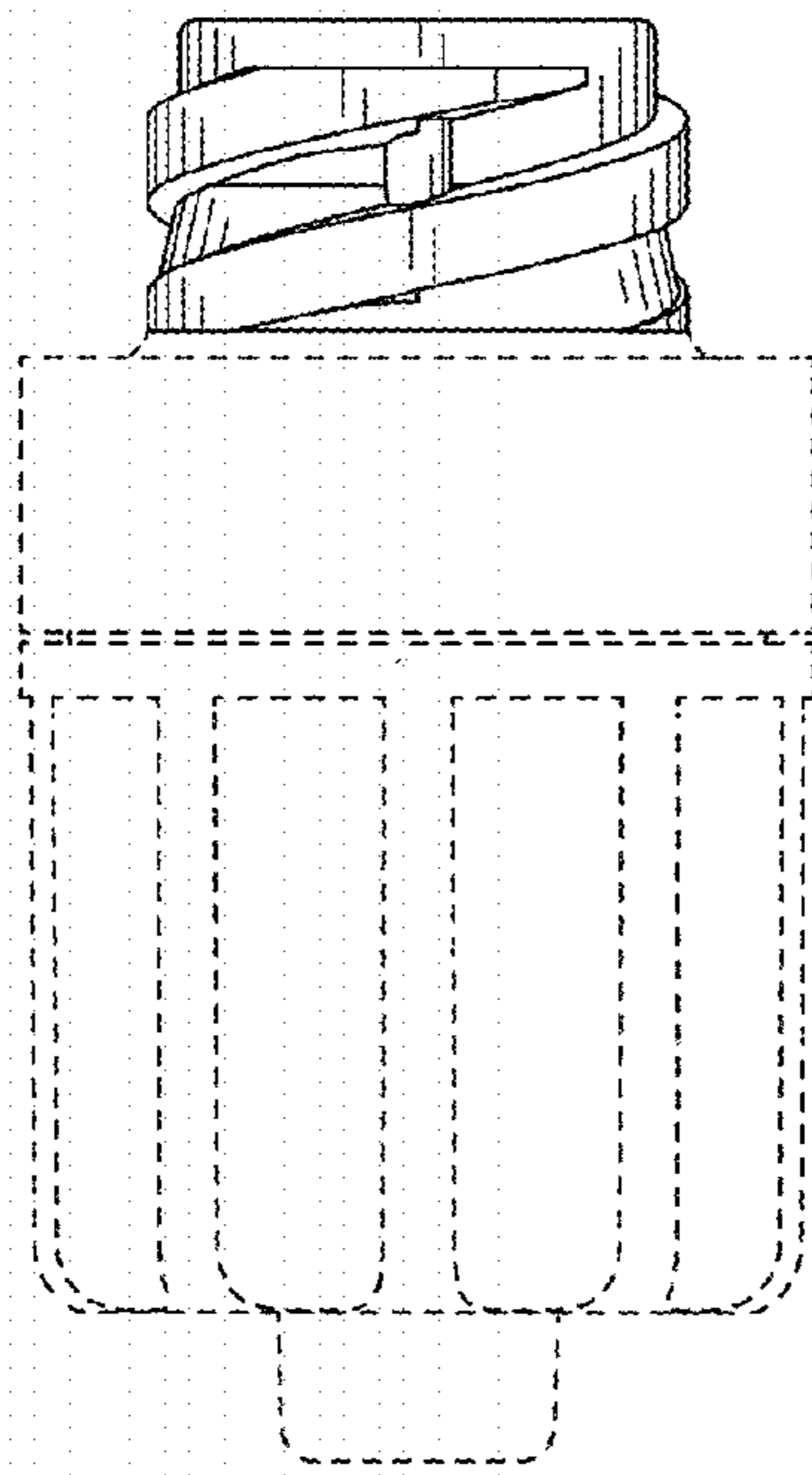


FIG. 2

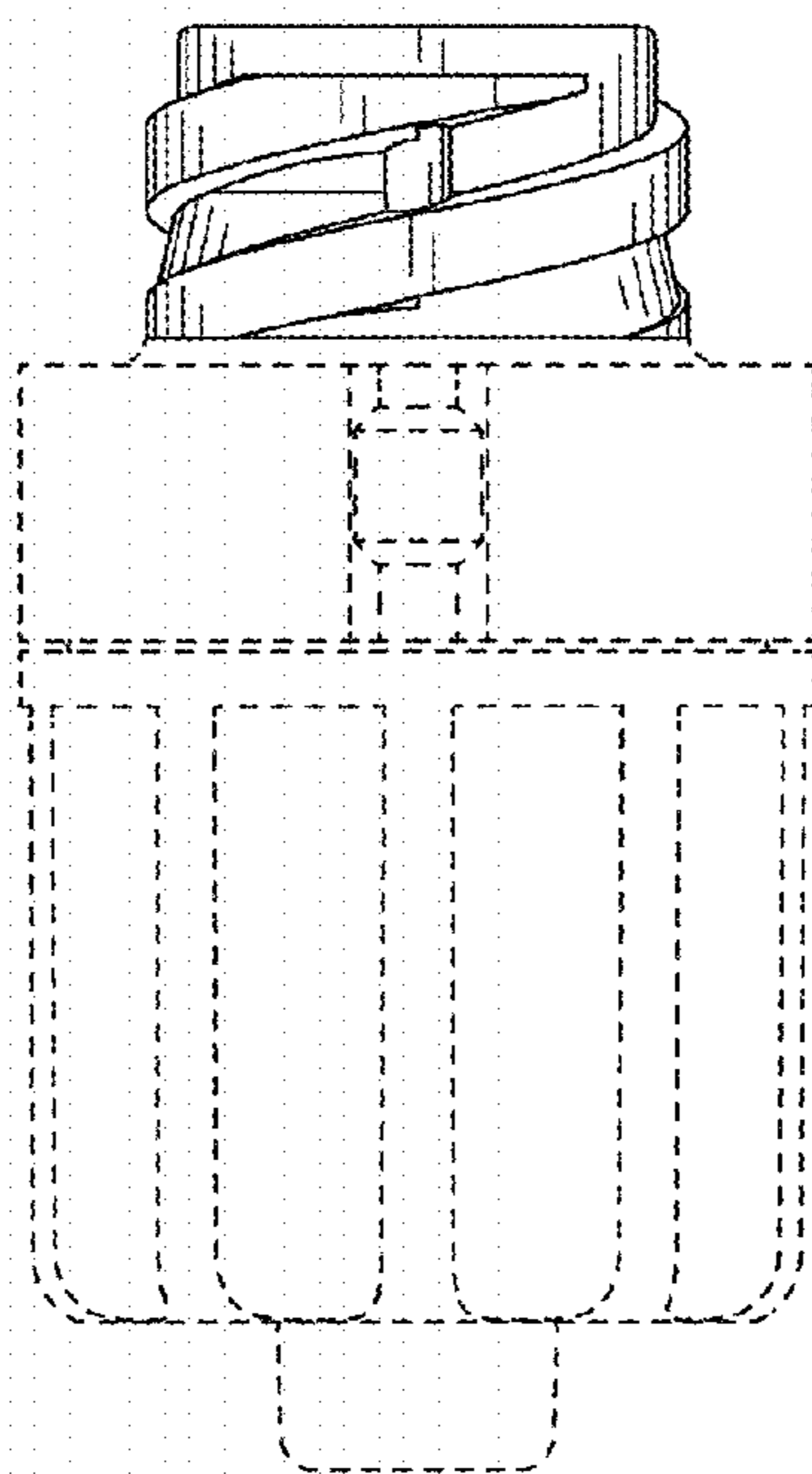


FIG. 3

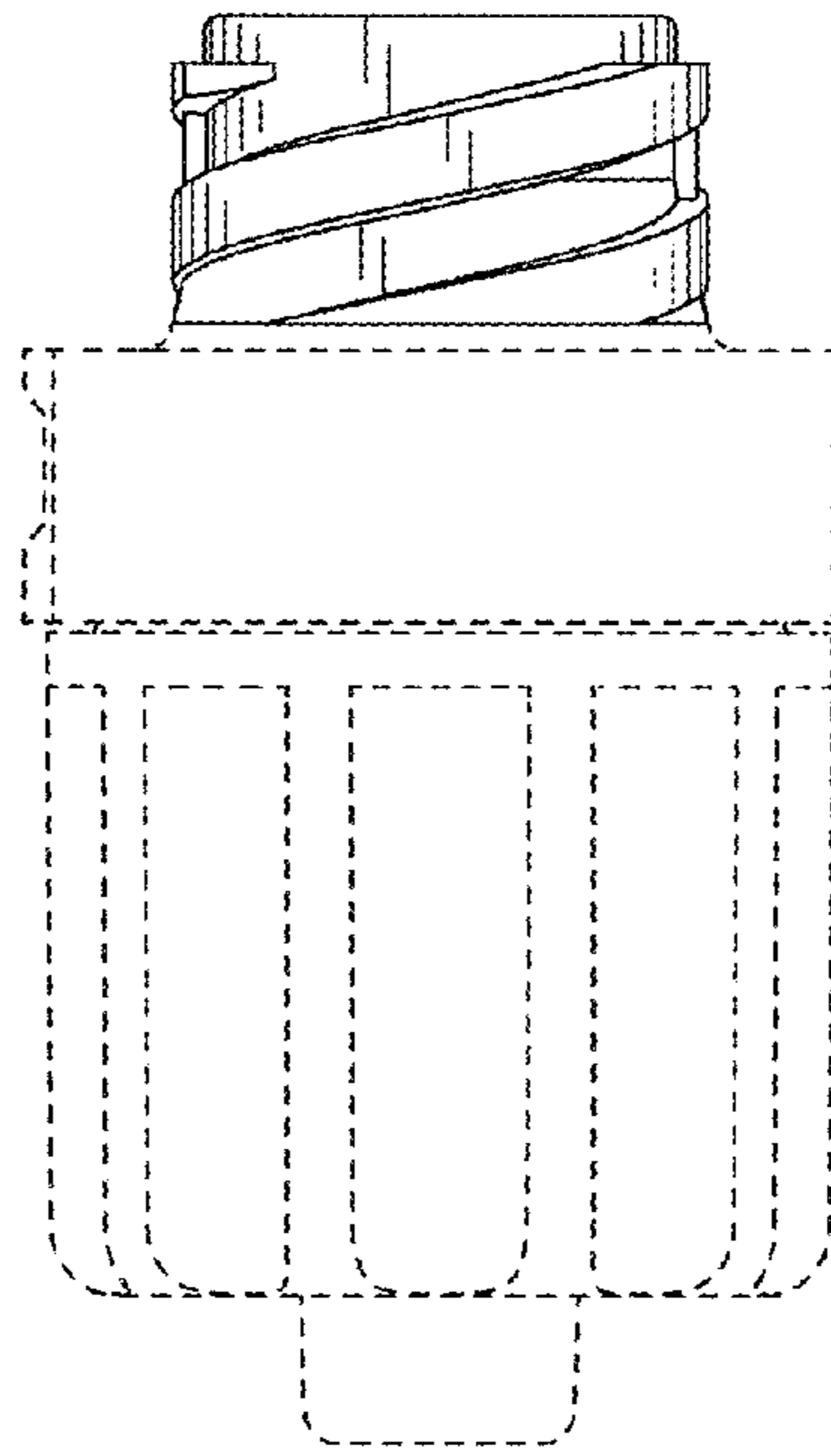


FIG. 4

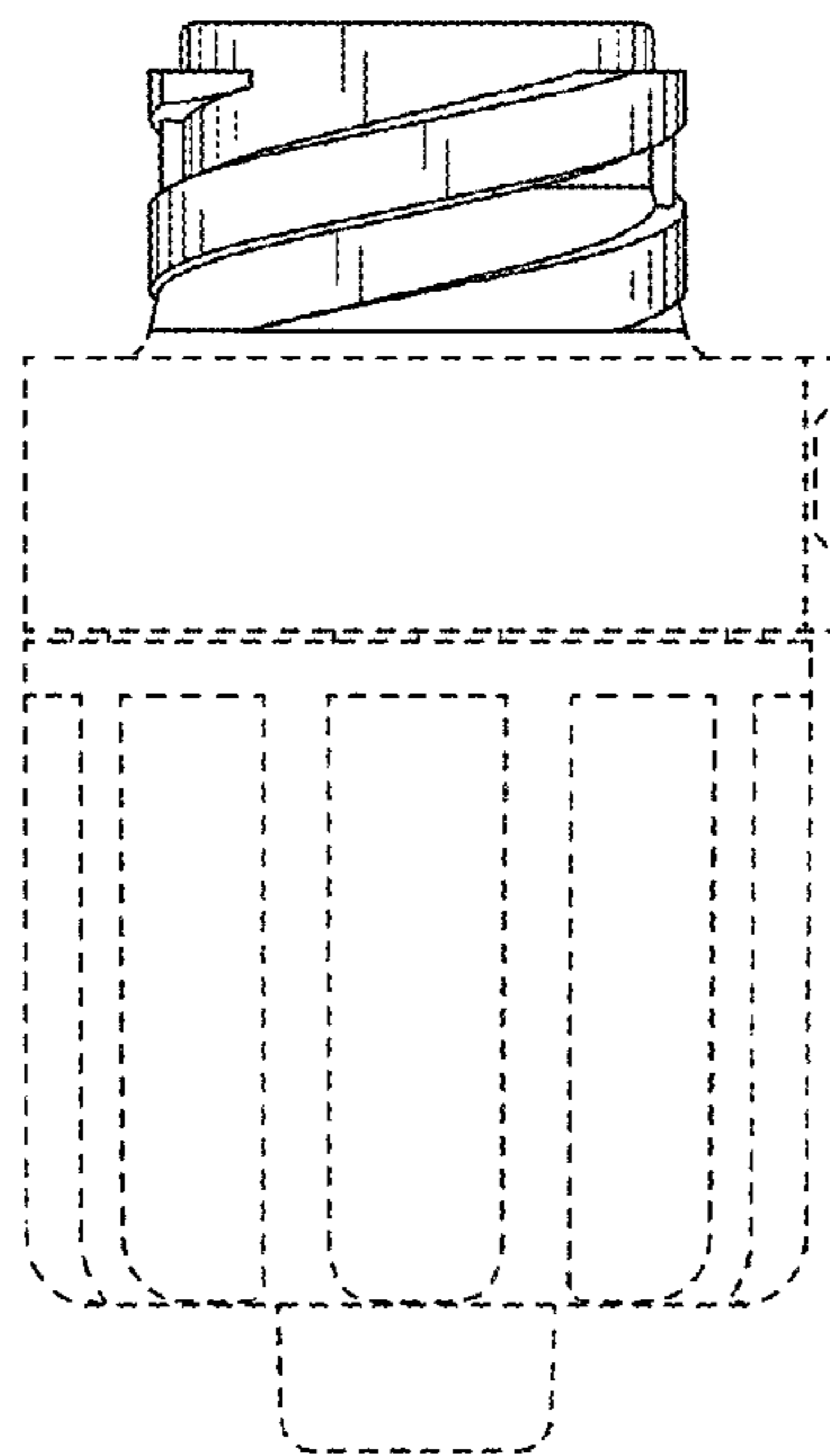


FIG. 5

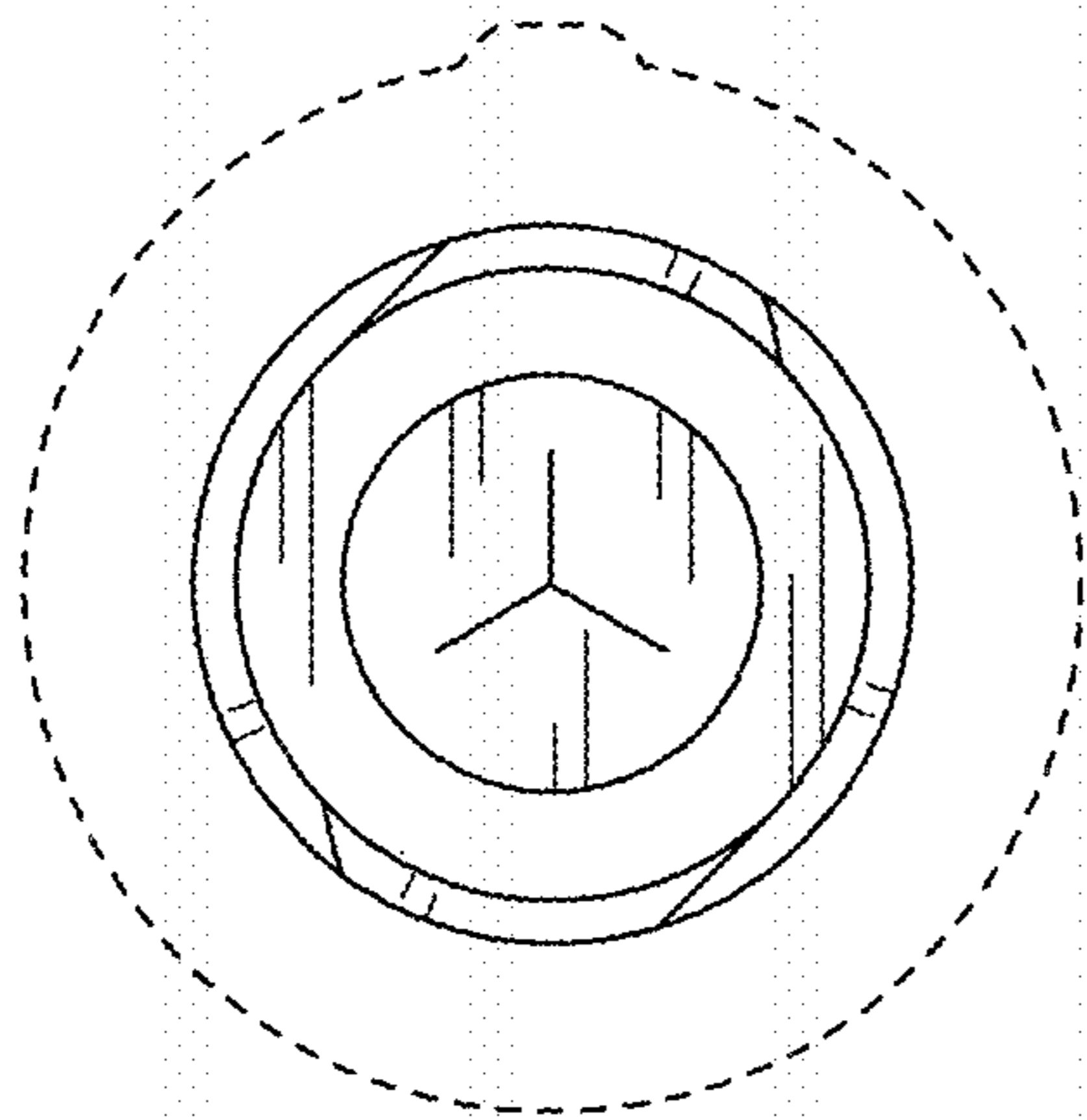


FIG.6