



US00D761419S

(12) **United States Design Patent**
Fitzgerald et al.

(10) **Patent No.:** **US D761,419 S**
(45) **Date of Patent:** **** Jul. 12, 2016**

(54) **STRETCHABLE TORSO WRAP FOR
SECURING CATHETER TUBES ON A
PATIENT**

(71) Applicants: **Michael Fitzgerald**, Danvers, MA (US);
Kezia Fitzgerald, Danvers, MA (US)

(72) Inventors: **Michael Fitzgerald**, Danvers, MA (US);
Kezia Fitzgerald, Danvers, MA (US)

(**) Term: **14 Years**

(21) Appl. No.: **29/495,261**

(22) Filed: **Jun. 30, 2014**

(51) **LOC (10) Cl.** **24-04**

(52) **U.S. Cl.**
USPC **D24/128**

(58) **Field of Classification Search**
USPC D24/206–208, 189–192; 607/96, 104,
607/108, 109–112, 114; D6/608, 609;
219/528, 529; 128/95.1, 100.1, 101.1,
128/876; 602/1–7, 17–27, 61–66, 74;
606/204, 27; 126/204; 601/15, DIG. 1,
601/DIG. 2, DIG. 15; 604/104; 383/62, 78,
383/81–83, 89; D29/101.2, 101.5, 120.1,
D29/121.1, 108, 121.2, 122; D3/327;
D9/707
CPC ... A61M 25/02; A61M 39/08; A61M 5/1418;
A61F 13/10; A61F 13/143
See application file for complete search history.

(56) **References Cited**

U.S. PATENT DOCUMENTS

3,970,316	A *	7/1976	Westmoreland, Jr.	473/212
D263,745	S *	4/1982	Sandel	D24/133
4,590,939	A *	5/1986	Sakowski	606/204
5,407,422	A *	4/1995	Matthijs et al.	602/19
5,507,794	A *	4/1996	Allen	607/112
D435,911	S *	1/2001	Yeager	D24/206
D444,240	S *	6/2001	Bautista, Jr.	D24/206
D456,521	S *	4/2002	Griffin et al.	D24/206
D468,013	S *	12/2002	Mason	D24/128
D475,140	S *	5/2003	Anderson	D24/191

D519,639	S *	4/2006	Follman	D24/191
D550,848	S *	9/2007	Juta et al.	D24/190
7,527,602	B2 *	5/2009	Weaver et al.	602/75
D595,858	S *	7/2009	Kazel	D24/186
D595,859	S *	7/2009	Young	D24/190
D627,074	S *	11/2010	Ray	D24/192
D627,078	S *	11/2010	Matsuo et al.	D24/206
D630,335	S *	1/2011	Wise et al.	D24/206
D633,624	S *	3/2011	Monopoli	D24/191

(Continued)

Primary Examiner — David Muller

Assistant Examiner — Nathan Johnston

(74) *Attorney, Agent, or Firm* — Daniel N. Smith

(57) **CLAIM**

The ornamental design for a stretchable torso wrap for securing catheter tubes on a patient, as shown and described.

DESCRIPTION

FIG. 1 illustrates a top perspective view of a stretchable torso wrap for securing catheter tubes on a patient showing our new design;

FIG. 2 illustrates a top plan view thereof;

FIG. 3 illustrates a bottom plan view thereof;

FIG. 4 illustrates a side elevation view thereof;

FIG. 5 illustrates a front elevation view thereof;

FIG. 6 illustrates a top perspective view of the stretchable torso wrap being oriented for placement over a single catheter tube secured on a patient's torso;

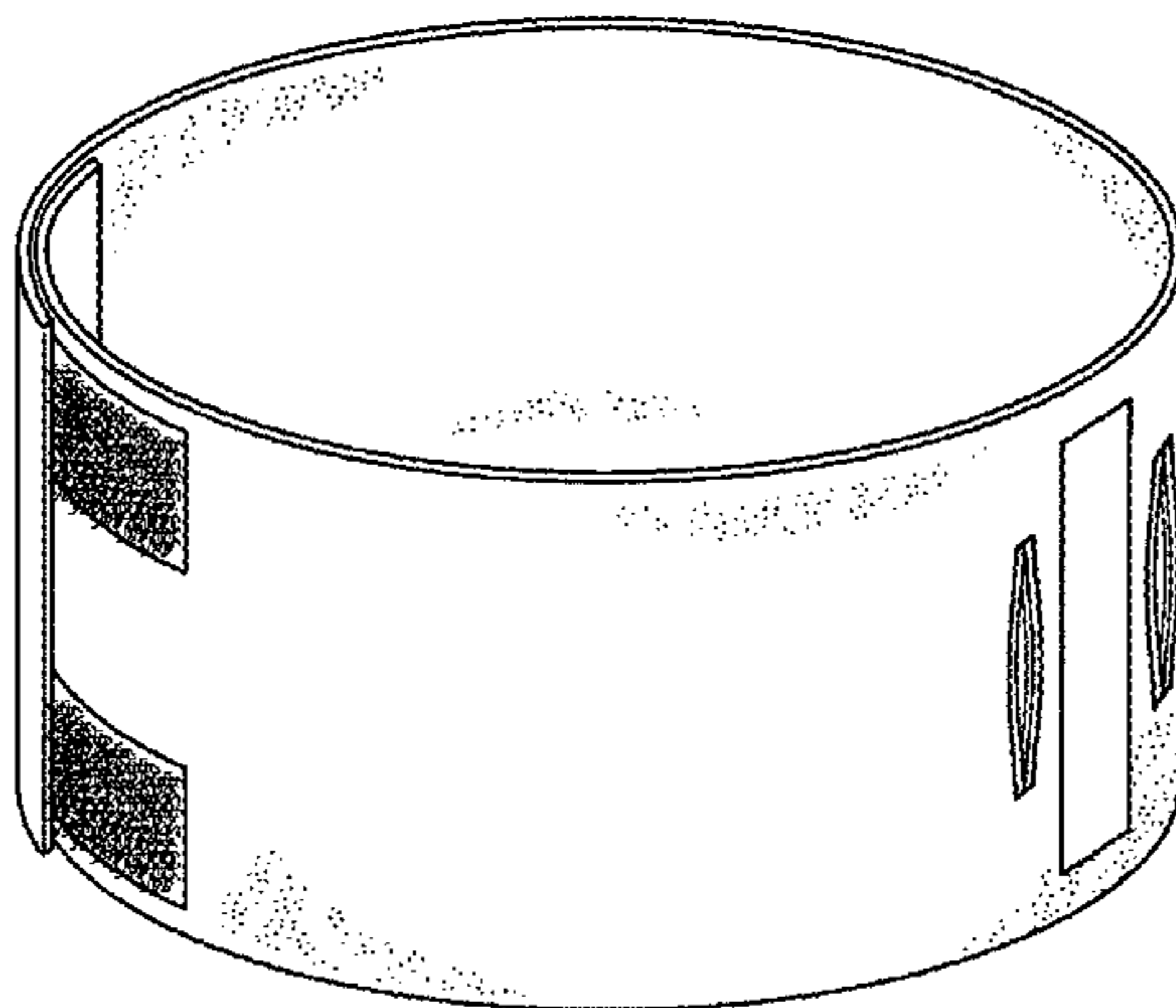
FIG. 7 illustrates a top perspective view of the single catheter tube being inserted into a first slit of the stretchable torso wrap;

FIG. 8 illustrates a top perspective view of the single catheter tube being pulled out of a second slit of the stretchable torso wrap; and,

FIG. 9 illustrates a top perspective view of the stretchable torso wrap placed over a patient's torso wrapped over the single catheter tube secured by the torso wrap.

The broken line showing of parts of the drawings is included for the purpose of illustrating portions of the "article" and forms no part of the claimed design.

1 Claim, 6 Drawing Sheets



(56)

References Cited

U.S. PATENT DOCUMENTS

D646,789 S *	10/2011	Barth	D24/189	D696,408 S *	12/2013	Chiang	D24/190
D650,085 S *	12/2011	Rucker et al.	D24/207	D713,049 S *	9/2014	Shah	D24/200
D656,276 S *	3/2012	Kurland	D28/91.2	8,821,425 B2 *	9/2014	Cox	602/20
D671,225 S *	11/2012	Higley	D24/206	2010/0100019 A1 *	4/2010	Chen et al.	602/19
D672,036 S *	12/2012	Simon	D24/128	2011/0089159 A1 *	4/2011	Chen	219/528
D677,797 S *	3/2013	Godfrey et al.	D24/200	2013/0012883 A1 *	1/2013	Fitzgerald et al.	604/179
D690,426 S *	9/2013	Houston et al.	D24/190	2014/0069910 A1 *	3/2014	Kang	219/528
				2014/0074006 A1 *	3/2014	Manley, Jr.	602/74
				2014/0180369 A1 *	6/2014	Oh et al.	607/112
				2015/0076004 A1 *	3/2015	Gerber et al.	205/782

* cited by examiner

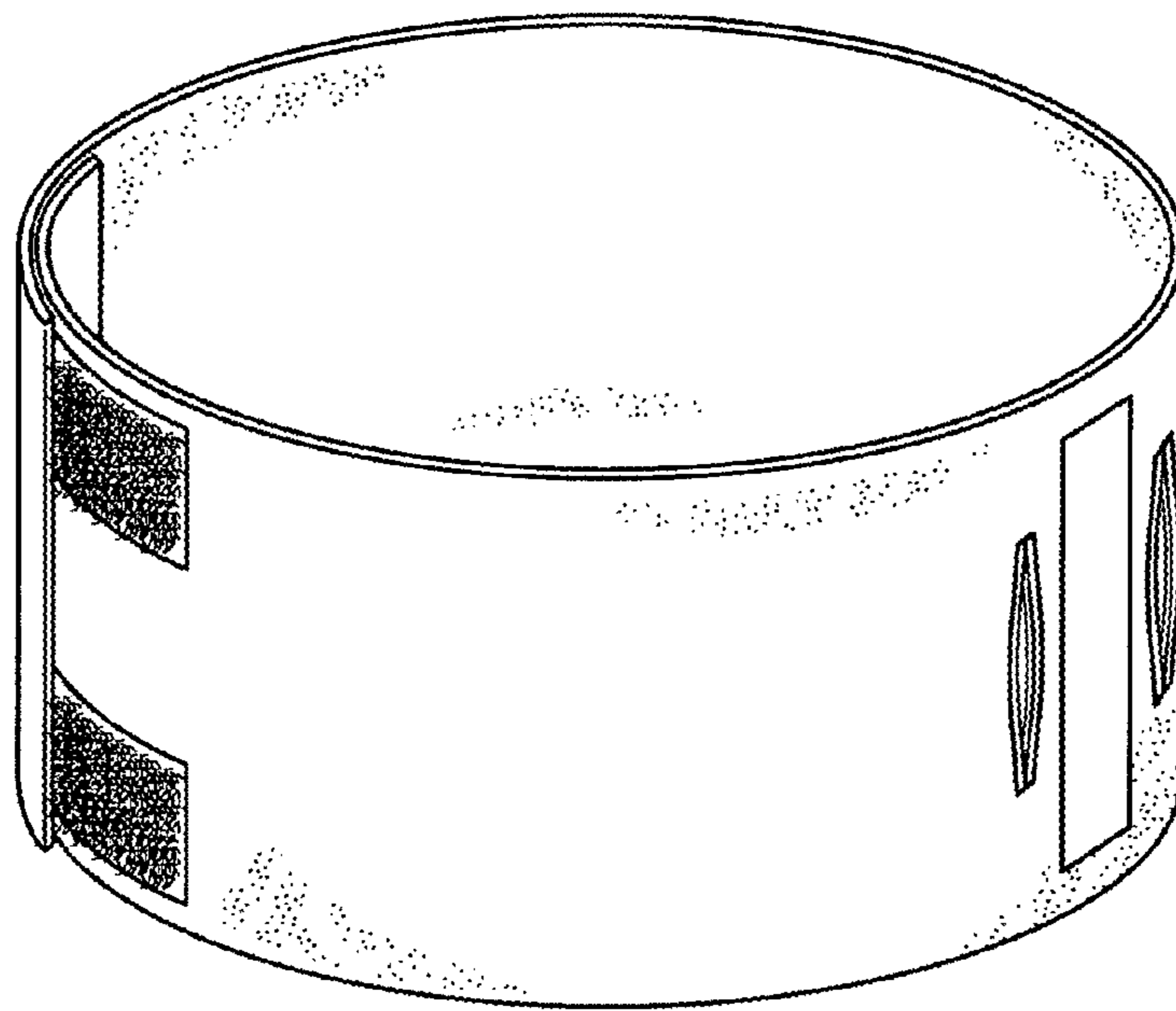


Fig. 1

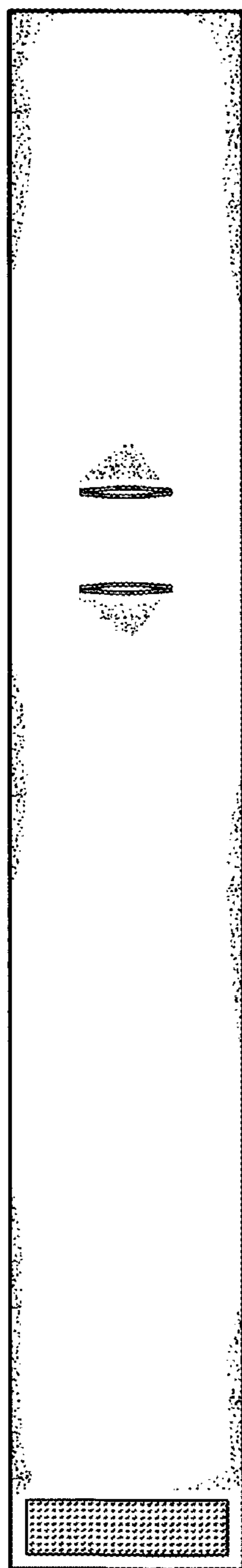


Fig. 2

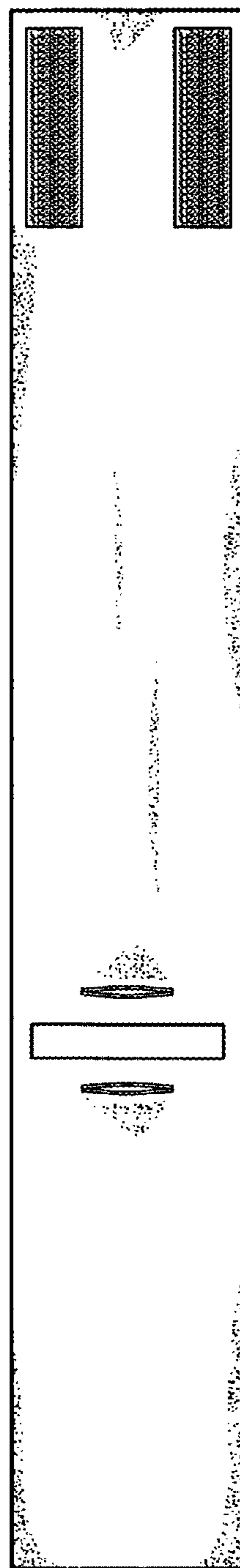


Fig. 3



Fig. 4

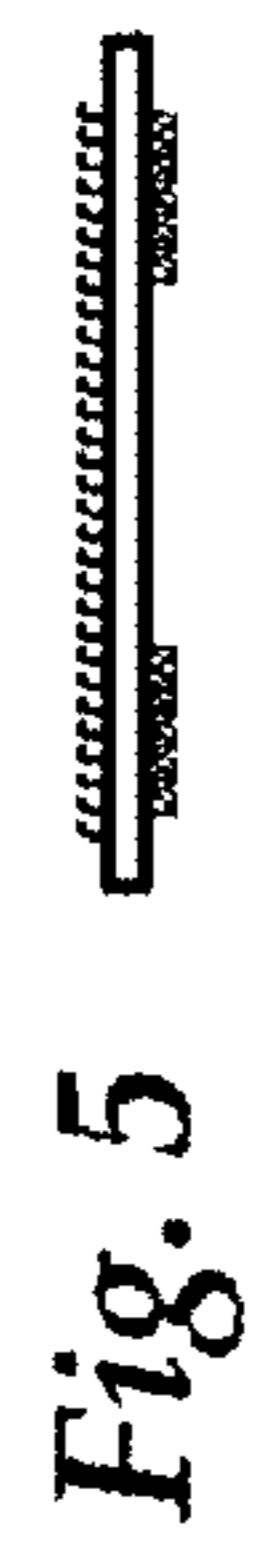


Fig. 5

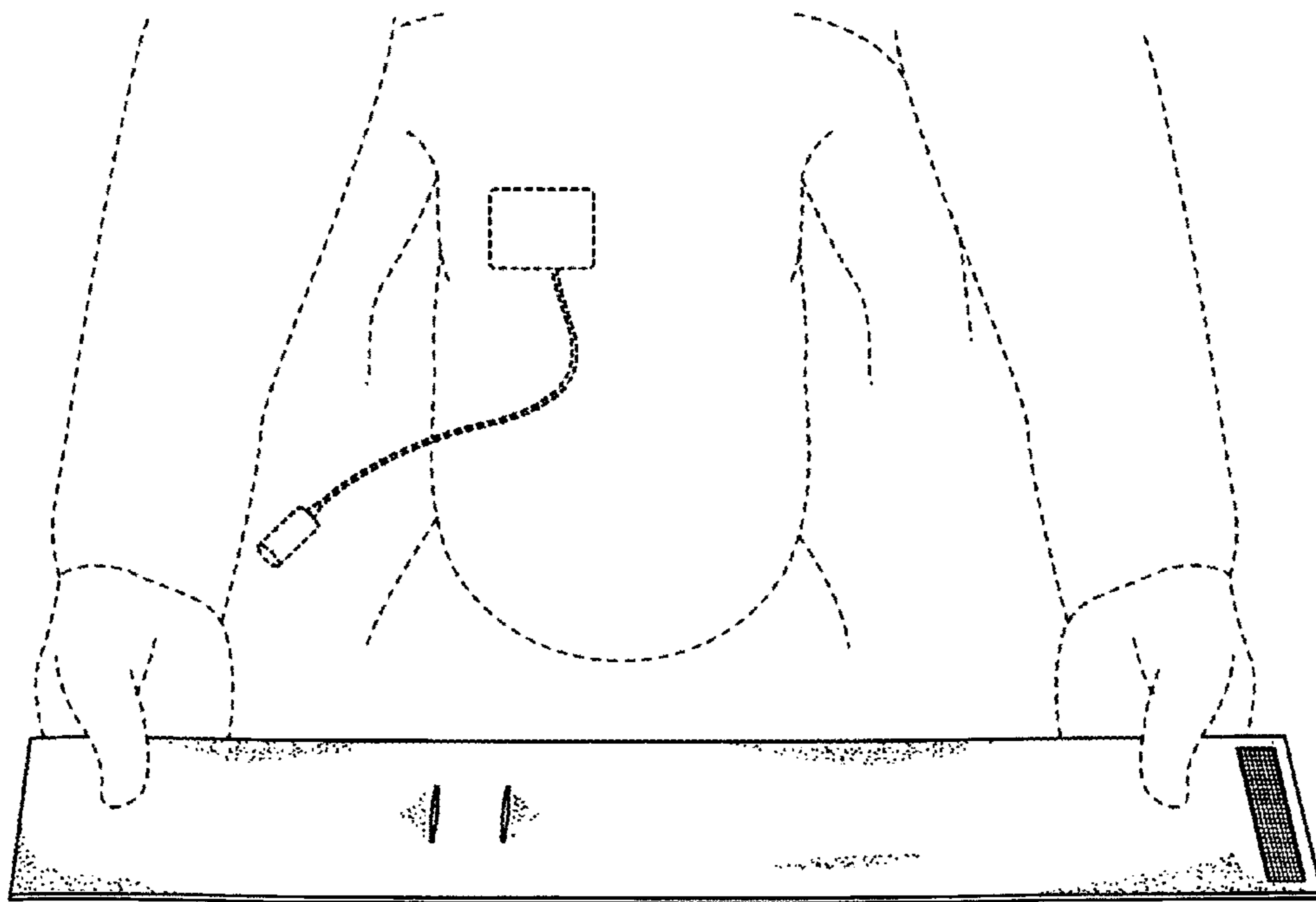


Fig. 6

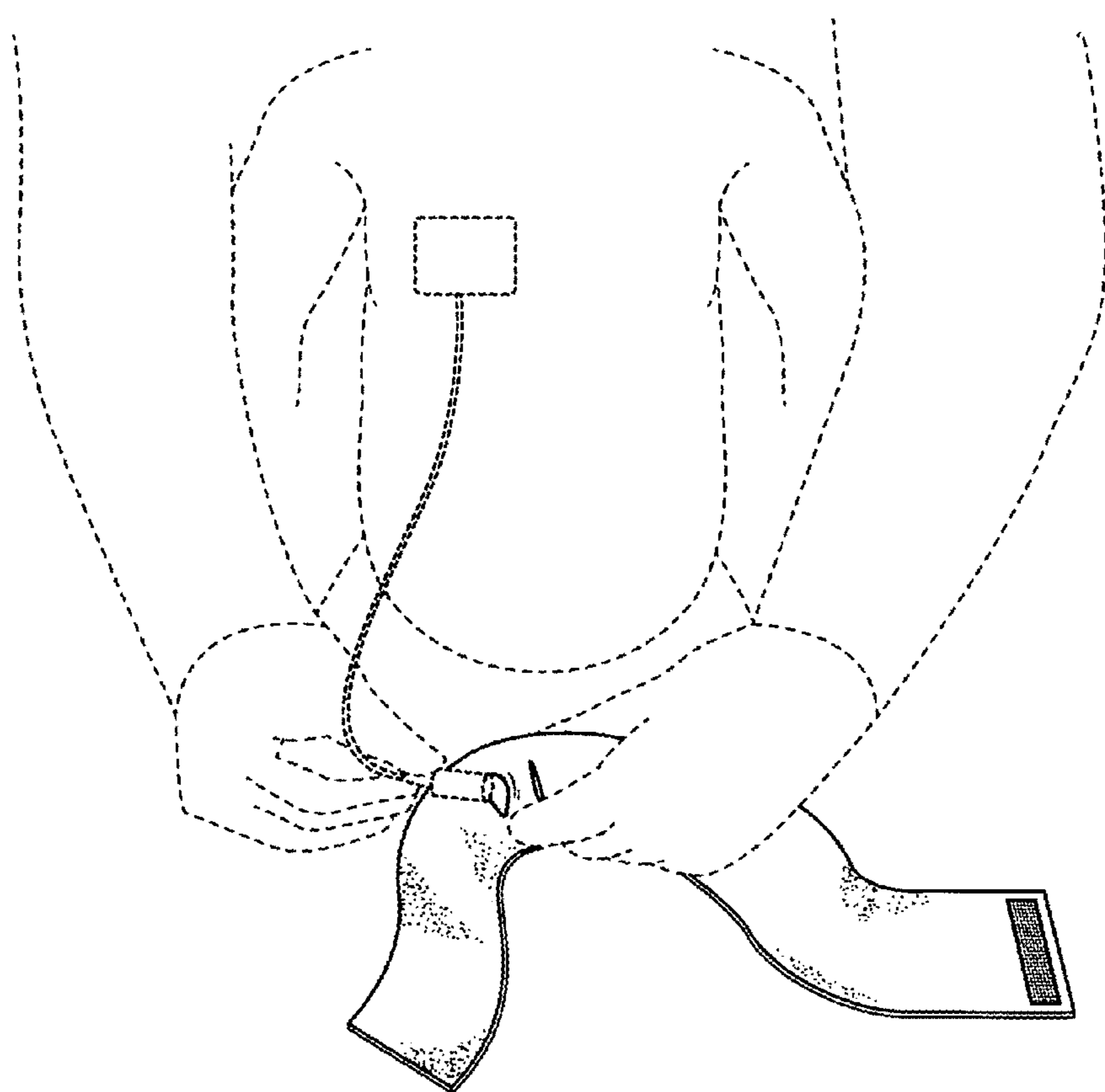


Fig. 7

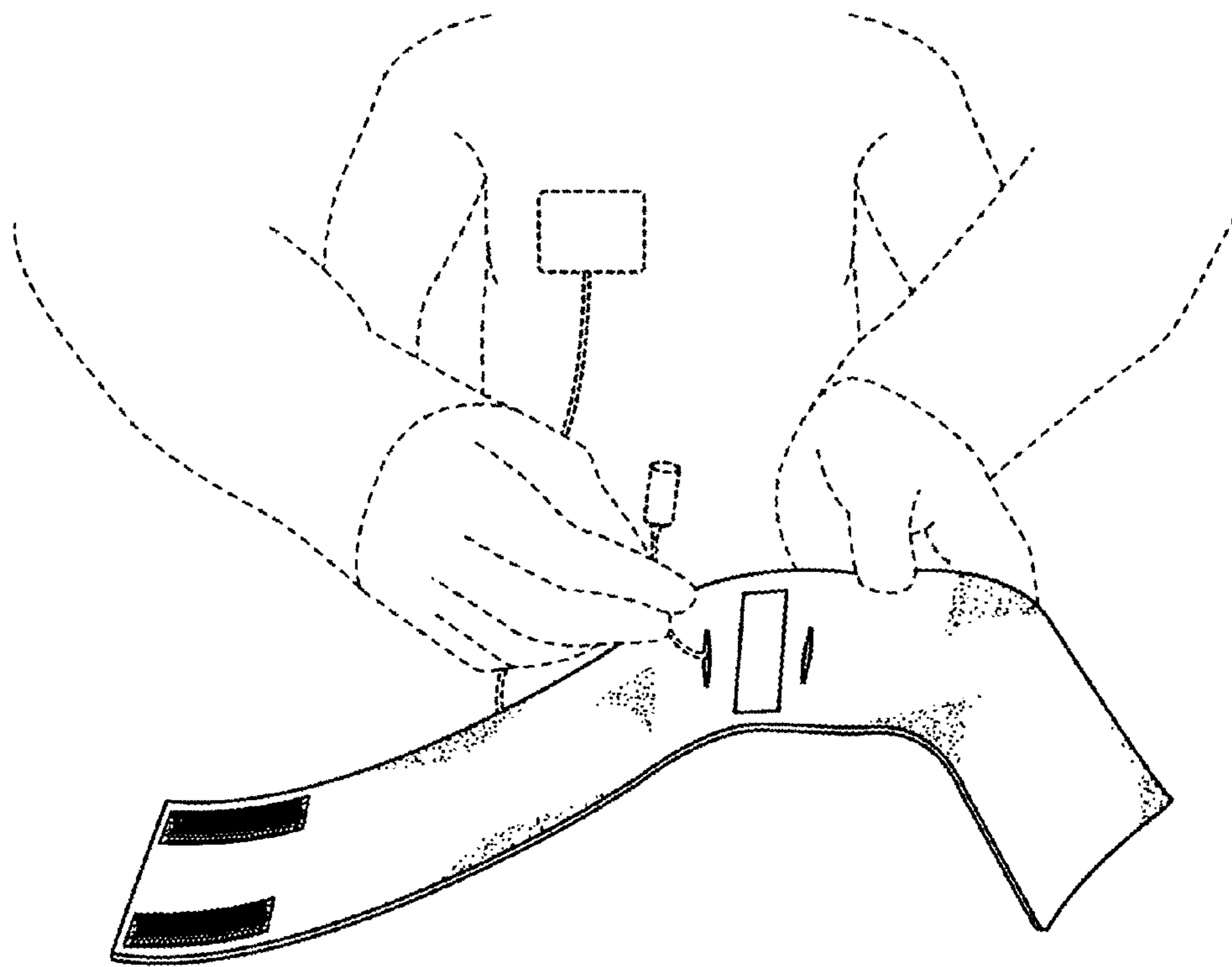


Fig. 8

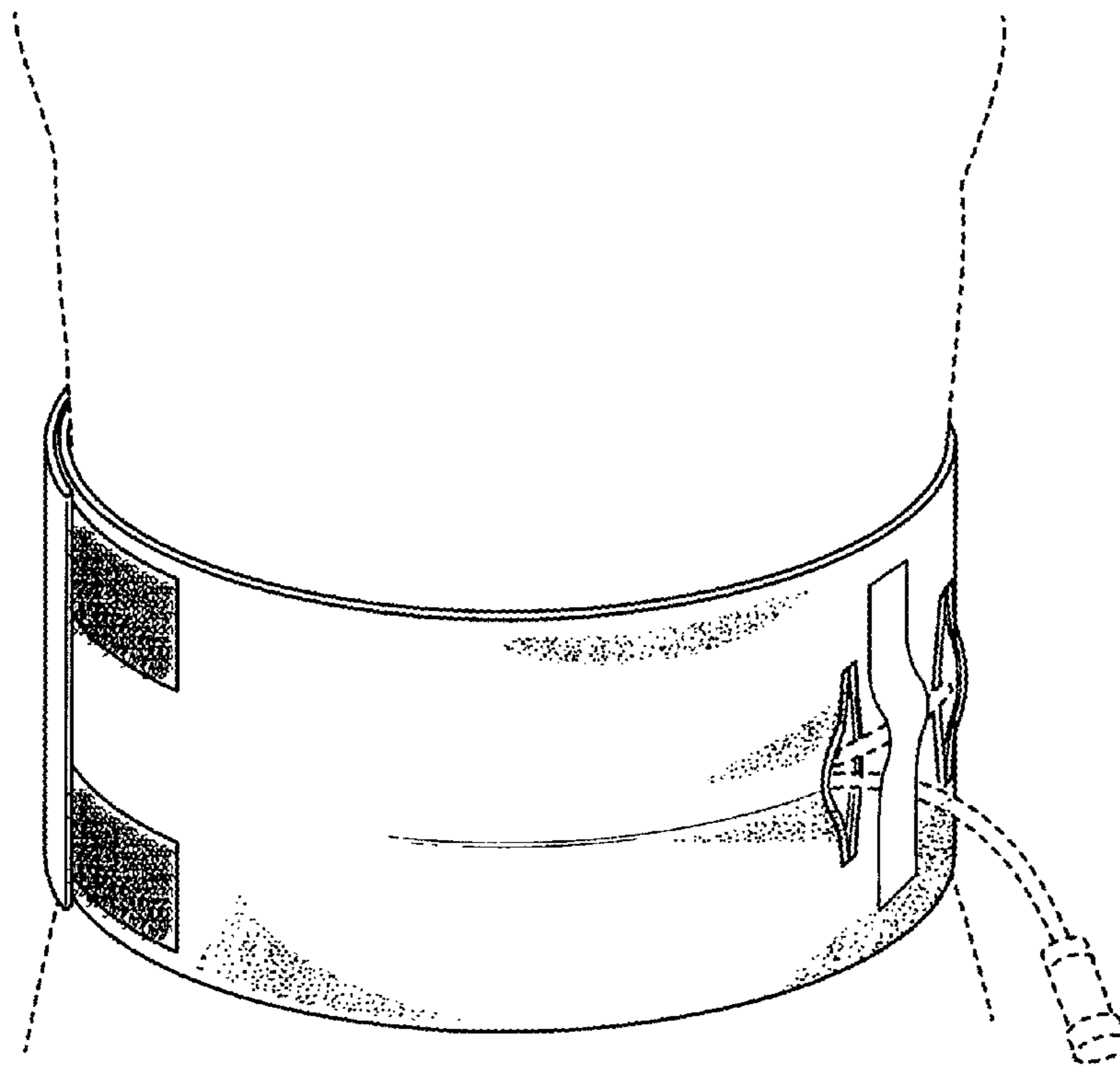


Fig. 9