



US00D761415S

(12) **United States Design Patent**
Walker et al.

(10) **Patent No.:** **US D761,415 S**
(45) **Date of Patent:** **** Jul. 12, 2016**

(54) **RESPIRATOR MASK FACE SEAL**

FOREIGN PATENT DOCUMENTS

(71) Applicant: **3M INNOVATIVE PROPERTIES COMPANY**, St. Paul, MN (US)

EP 1614361 1/2006
GB 2163056 2/1986

(Continued)

(72) Inventors: **Garry J. Walker**, Stockton-on-Tees (GB); **Peter Masters**, Blyth (GB)

OTHER PUBLICATIONS

(73) Assignee: **3M Innovative Properties Company**, St. Paul, MN (US)

“Moldex Series 3000 Reusable Mask FFP3”, [retrieved from the internet on Feb. 25, 2015] URL< <https://www.tradetoolstore.com/moldex-series-3000-reusable-mask-ffp3-d-ventex-valve-blister-pack-mol3405bp.html>>.

(Continued)

(**) Term: **14 Years**

(21) Appl. No.: **29/516,276**

Primary Examiner — Barbara Fox

Assistant Examiner — Lilyana Bekic

(22) Filed: **Jan. 30, 2015**

(74) *Attorney, Agent, or Firm* — Melanie G. Gover

(51) **LOC (10) Cl.** **29-02**

(57) **CLAIM**

The ornamental design for a respirator mask face seal, as shown and described.

(52) **U.S. Cl.**

DESCRIPTION

USPC **D24/110.1**

(58) **Field of Classification Search**

USPC D24/110.1–110.4, 110.6, 127;
D29/105, 107, 108, 110

The subject matter disclosed herein is related to subject matter disclosed in PCT Patent Application No. PCT/US14/50847, which is incorporated herein by reference in its entirety.

CPC A62B 18/00; A62B 18/02; A62B 18/025;
A62B 18/08; A62B 18/10; A62B 23/00;
A62B 23/02; A62B 23/025; A62B 23/06;
A41D 13/11; A61M 16/0622; A61M 16/0616;
A61M 16/0816; A61M 16/08; A61M 16/0633;
A61M 16/0666; A61M 2210/0618; A61M
16/0683

FIG. 1 is a left front perspective view of a respirator mask face seal showing the new design, the face seal shown attached to a respirator mask;
FIG. 2 is a front plan view thereof;
FIG. 3 is a front view of the respirator mask;
FIG. 4 is a top plan view of FIG. 1;
FIG. 5 is a bottom plan view thereof; and,
FIG. 6 is a left side view thereof, the right side being a mirror image of this view.

See application file for complete search history.

The dash-dot-dash broken line separating the upper portion and the lower portion of the respirator mask face seal represents the bounds of the claimed design and forms no part thereof. The broken line showing of the respirator mask illustrates the environment and forms no part of the claimed design. All other broken lines in the drawings illustrate portions of the respirator mask face seal that form no part of the claimed design.

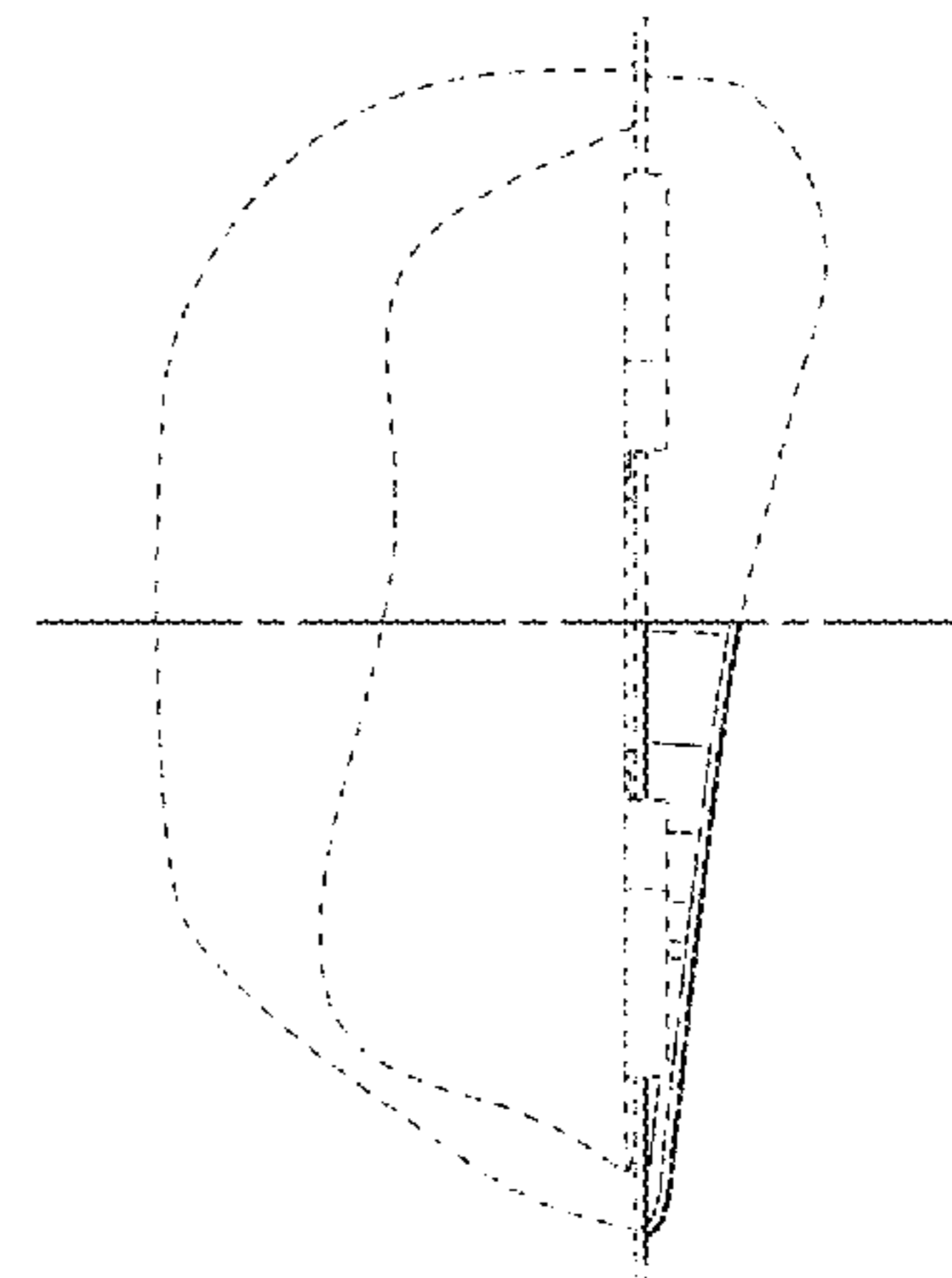
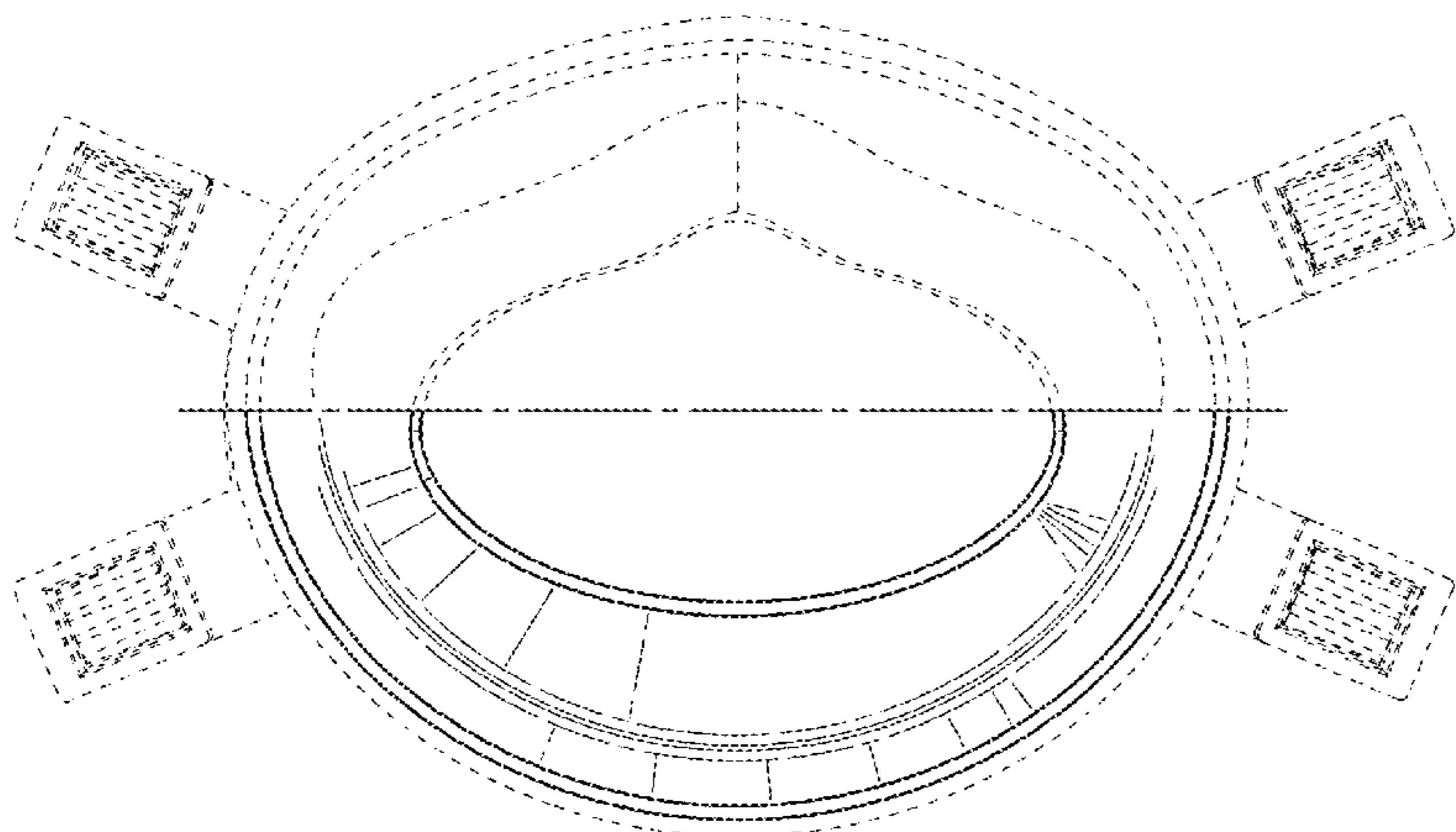
(56) **References Cited**

U.S. PATENT DOCUMENTS

D271,246 S * 11/1983 Matheson D24/110.1
4,454,881 A 6/1984 Huber
4,850,347 A 7/1989 Skov
4,873,972 A 10/1989 Magidson
D467,656 S * 12/2002 Mittelstadt D24/110.1

(Continued)

1 Claim, 3 Drawing Sheets



(56)

References Cited

FOREIGN PATENT DOCUMENTS

U.S. PATENT DOCUMENTS

D499,803	S *	12/2004	Chang	D24/110.1
D679,376	S *	4/2013	von Hollen	D24/110.1
D679,377	S *	4/2013	von Hollen	D24/110.1
D679,378	S *	4/2013	von Hollen	D24/110.1
D698,439	S *	1/2014	Davidson	D24/110.1
D698,917	S *	2/2014	Davidson	D24/110.1
2006/0266364	A1	11/2006	Turdjian	
2010/0199995	A1	8/2010	Howie	
2012/0125341	A1*	5/2012	Gebrewold	A62B 18/025 128/206.12
2012/0125342	A1*	5/2012	Gebrewold	A62B 18/025 128/206.12
2014/0158135	A1*	6/2014	Shyong	A61M 16/06 128/206.21
2014/0190492	A1*	7/2014	Noh	A41D 13/1161 128/863

JP	HJ1907230400	8/2009
RU	86788	10/2013
WO	WO 99/30583	6/1999
WO	WO 2006/113163	10/2006
WO	WO 2015/026587	2/2015
WO	WO 2015/026588	2/2015
WO	WO 2015/026593	2/2015
WO	WO 2015/026595	2/2015

OTHER PUBLICATIONS

Disposable Dust Respirator Lambda Line Series DD11, 12 Series, p. 5, Product Literature.

* cited by examiner

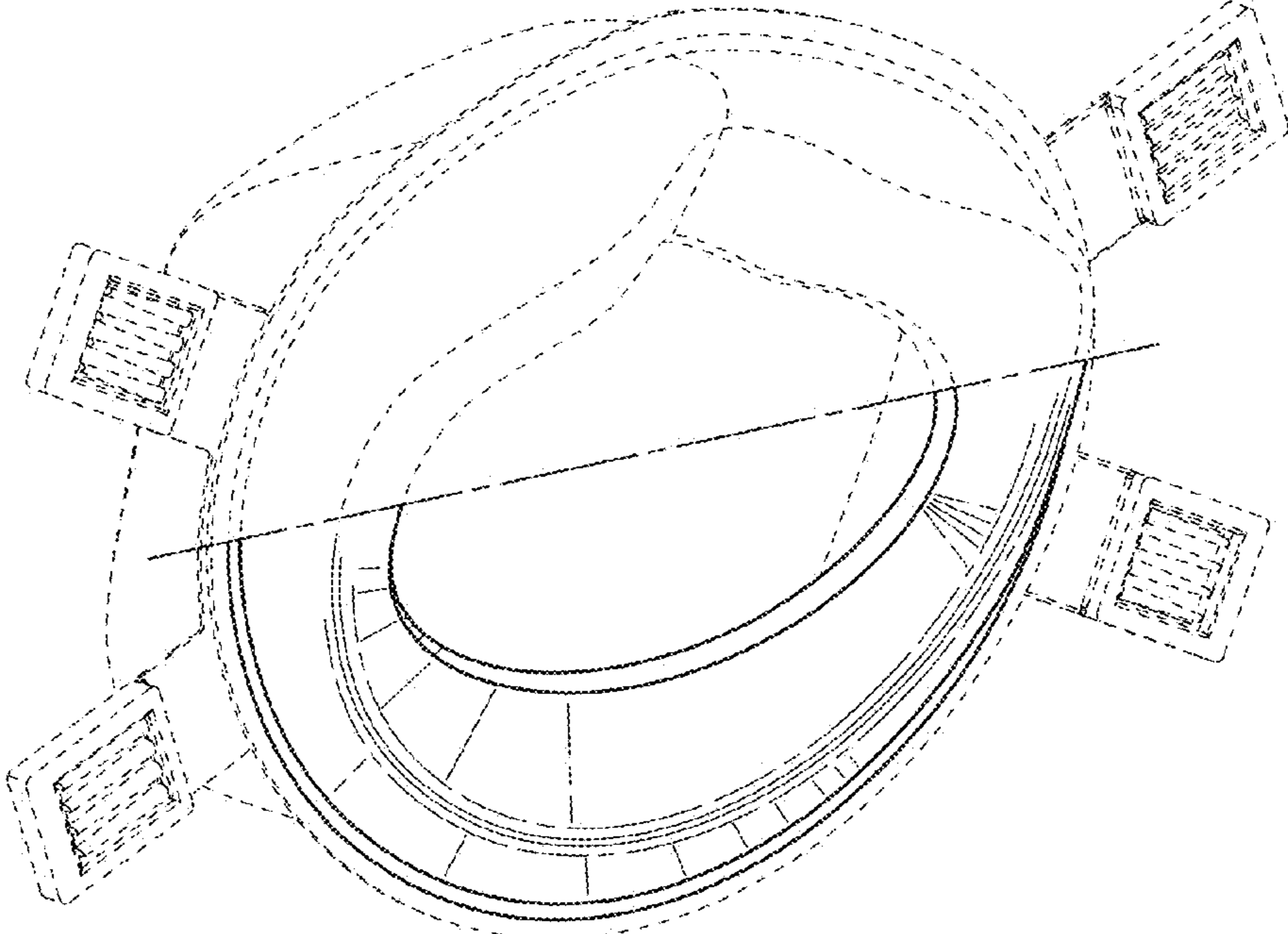


Fig. 1

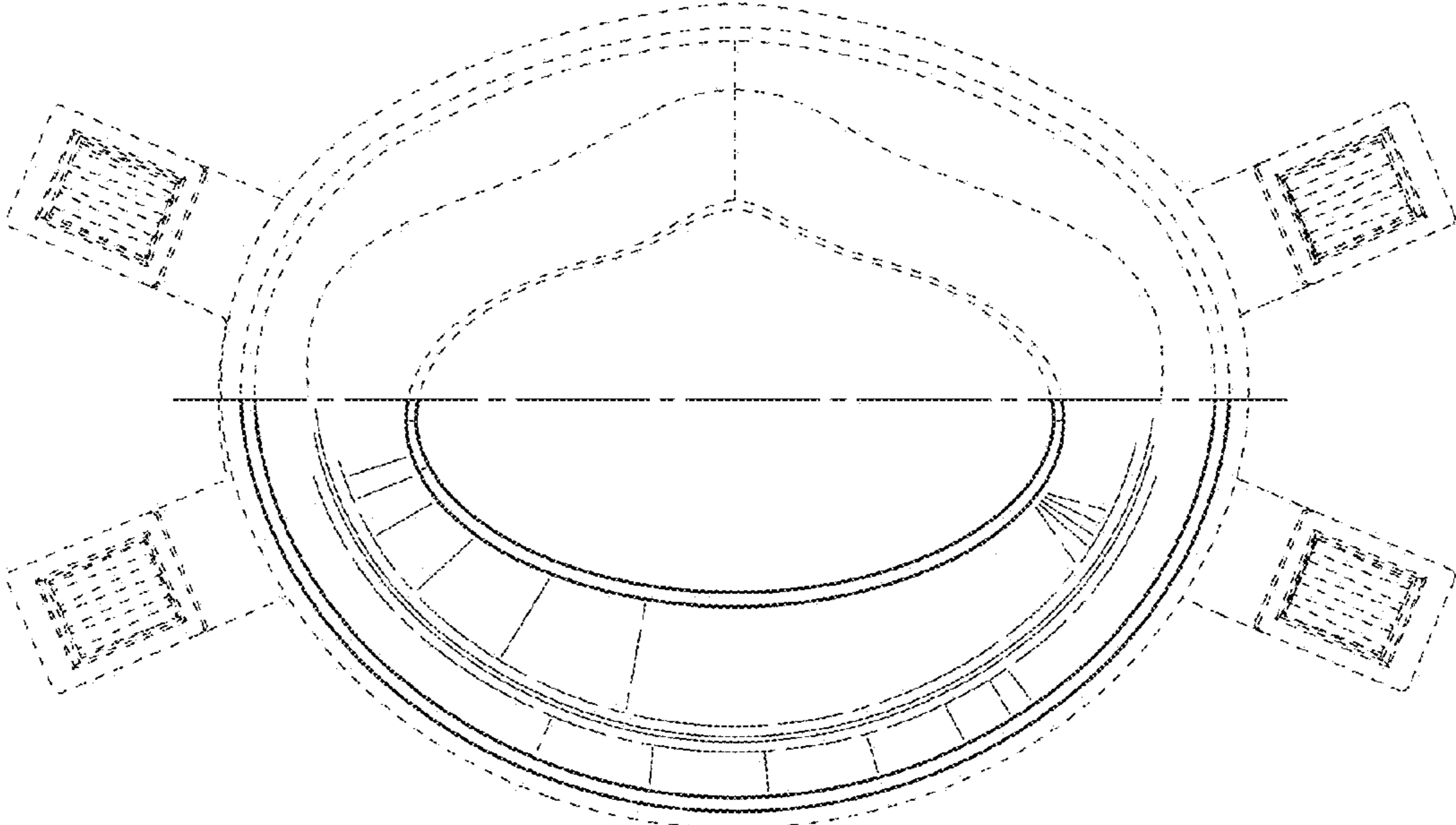


Fig. 2

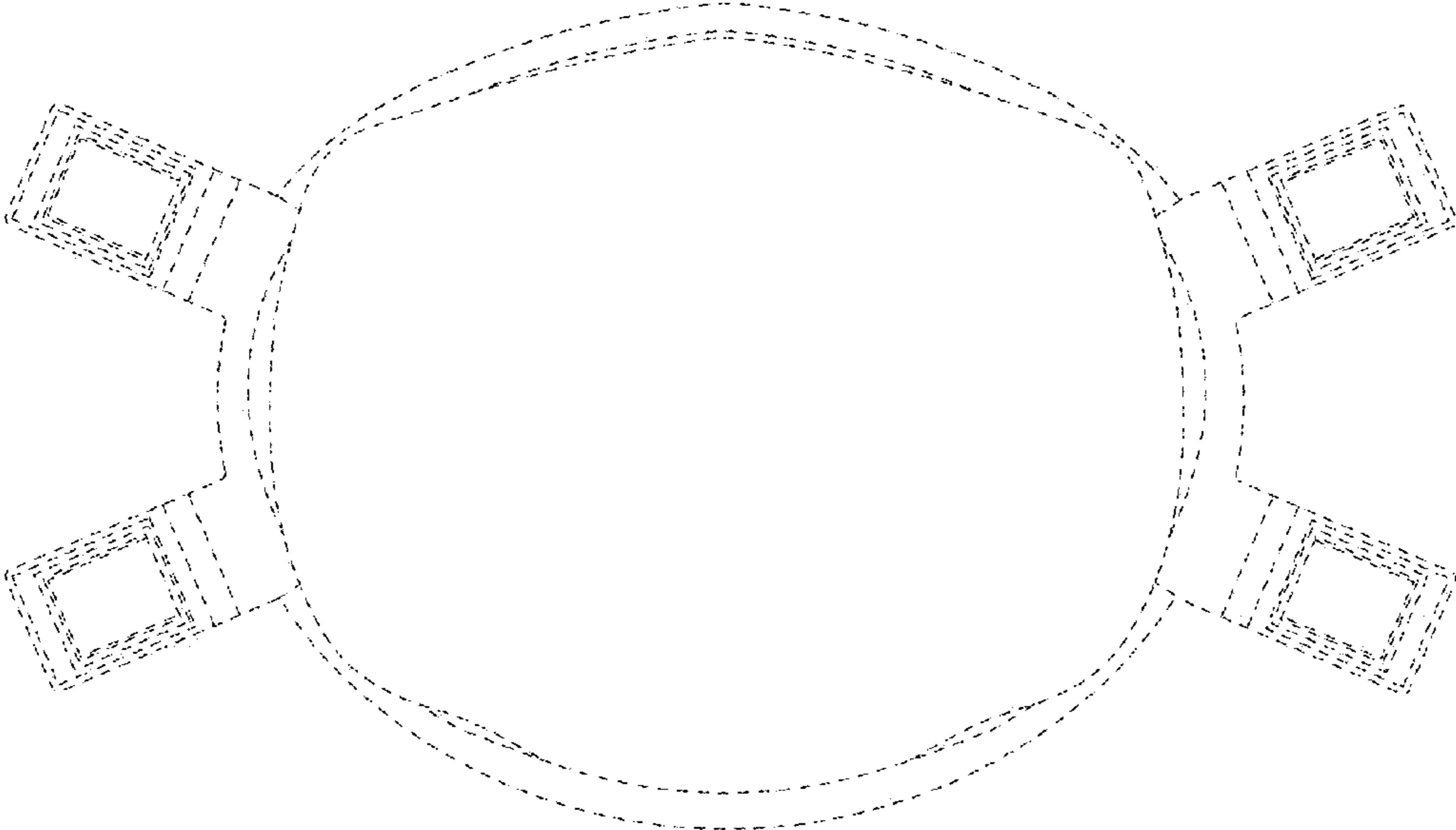


Fig. 3

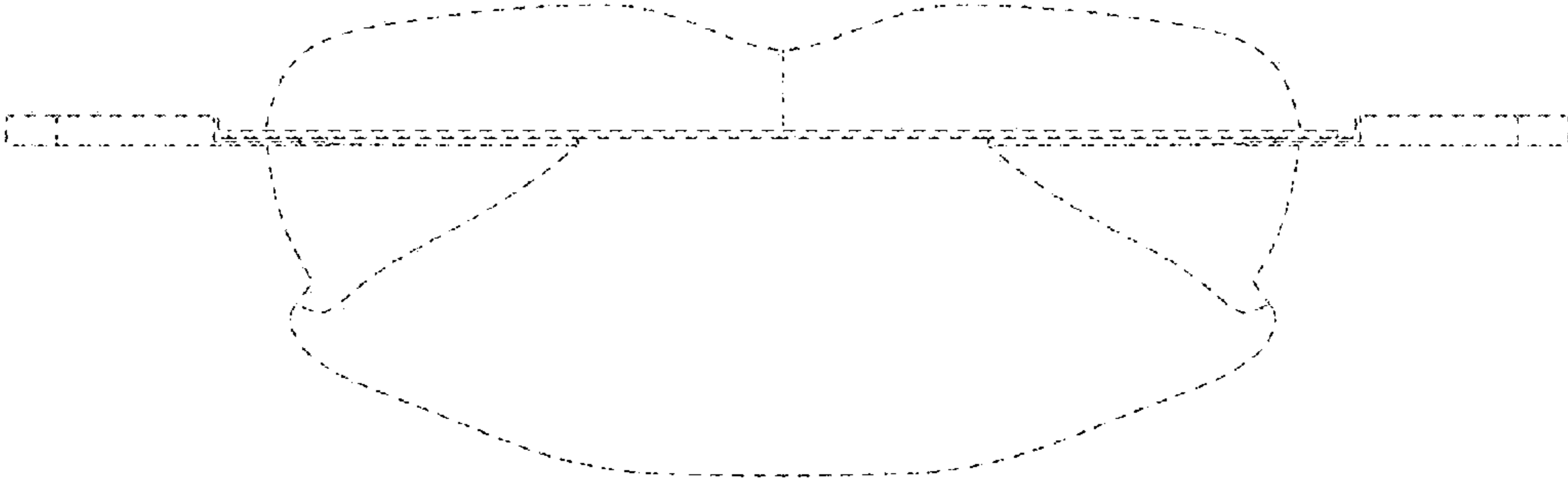


Fig. 4

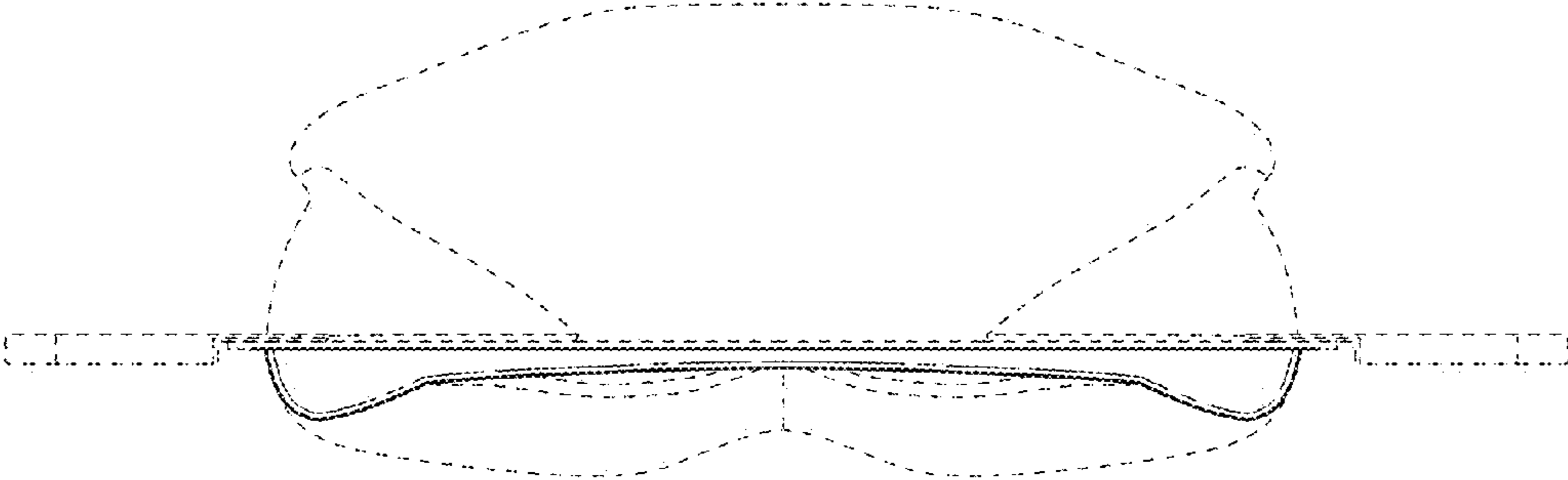


Fig. 5

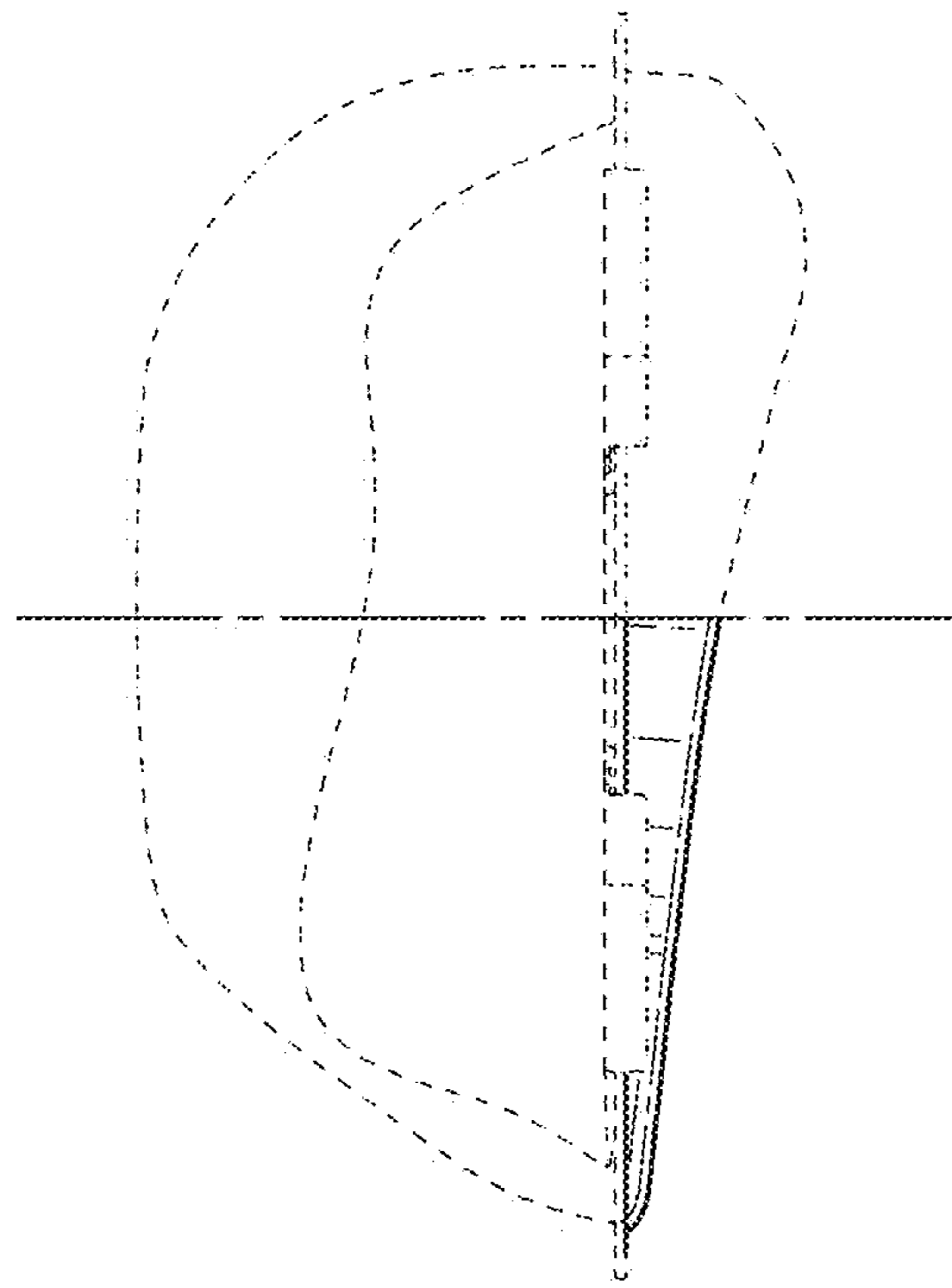


Fig. 6