

US00D761414S

(12) **United States Design Patent**
Pick et al.

(10) **Patent No.:** **US D761,414 S**
(45) **Date of Patent:** **** Jul. 12, 2016**

- (54) **EARPLUG**
- (71) Applicant: **Bumble BE Holdings, LLC**, Los Angeles, CA (US)
- (72) Inventors: **Douglas Pick**, Aliso Viejo, CA (US); **Steven Butler**, Torrance, CA (US)
- (73) Assignee: **Bumble BE Holdings, LLC**, Los Angeles, CA (US)
- (**) Term: **14 Years**
- (21) Appl. No.: **29/509,876**
- (22) Filed: **Nov. 21, 2014**
- (51) **LOC (10) Cl.** **24-04**
- (52) **U.S. Cl.**
USPC **D24/106**
- (58) **Field of Classification Search**
USPC D24/105, 106, 141, 173, 174; D1/106, D1/130; D14/205, 206, 223; D19/138; D21/386; D29/112; D34/39
CPC A61F 11/08; A61F 2011/085; A61F 11/10
See application file for complete search history.

(56) **References Cited**
U.S. PATENT DOCUMENTS

3,563,781	A *	2/1971	Johnson	B41F 17/14 427/163.4
4,774,938	A	10/1988	Leight		
4,867,149	A	9/1989	Falco		
5,036,681	A	8/1991	Schaerer		
D322,022	S *	12/1991	Cunningham	D8/303
5,113,967	A	5/1992	Killion et al.		
D328,038	S *	7/1992	Bruce	D10/104.1
5,452,731	A *	9/1995	Dickman	A61F 11/08 128/864
D366,696	S *	1/1996	Krause	D24/106
5,483,697	A *	1/1996	Fuchs	A41D 19/0058 128/844
5,904,143	A	5/1999	Magidson et al.		
5,957,136	A	9/1999	Magidson et al.		

5,988,313	A	11/1999	Hakansson		
6,006,857	A	12/1999	Leight et al.		
D427,304	S	6/2000	Magidson et al.		
6,105,715	A *	8/2000	Knauer	A61F 11/08 128/864
D435,645	S	12/2000	Westerdal		
D437,048	S	1/2001	Hirshfeld		
6,264,870	B1	7/2001	Hakansson		
6,440,339	B1	8/2002	Magidson et al.		
6,484,726	B1 *	11/2002	Remer	A61F 11/08 128/864
D481,118	S	10/2003	Doty et al.		
D512,141	S	11/2005	Mishkin et al.		
6,981,504	B2	1/2006	Jenkins, Jr.		
D521,637	S	5/2006	Yang		
D523,170	S *	6/2006	Xu	D27/148
D529,169	S	9/2006	Ryan		
7,107,993	B2	9/2006	Magidson		
D535,644	S	1/2007	Drambarean et al.		
D536,089	S	1/2007	Magidson et al.		

(Continued)

FOREIGN PATENT DOCUMENTS

CA 2414182 A1 * 1/2002 A61F 11/08

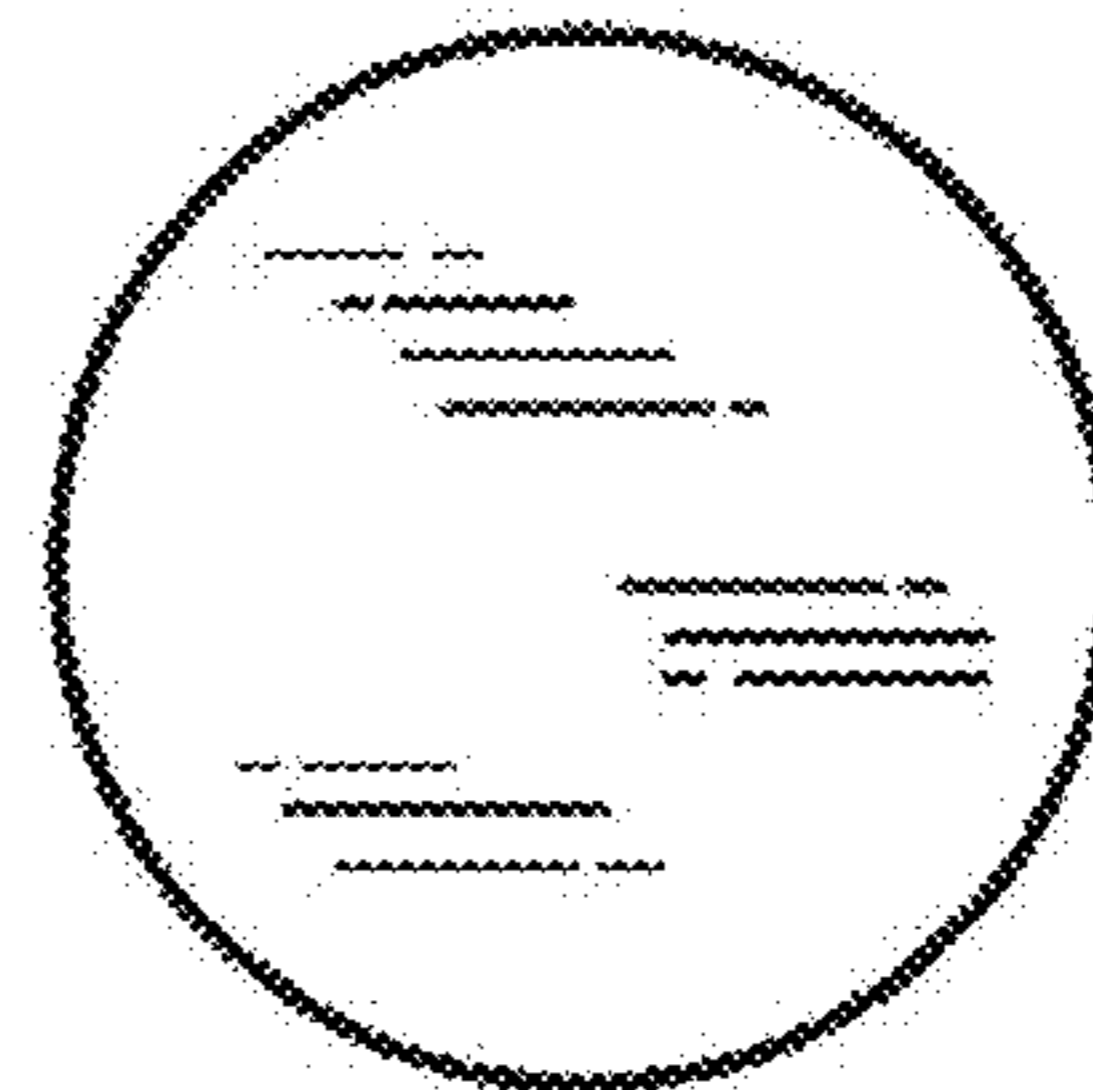
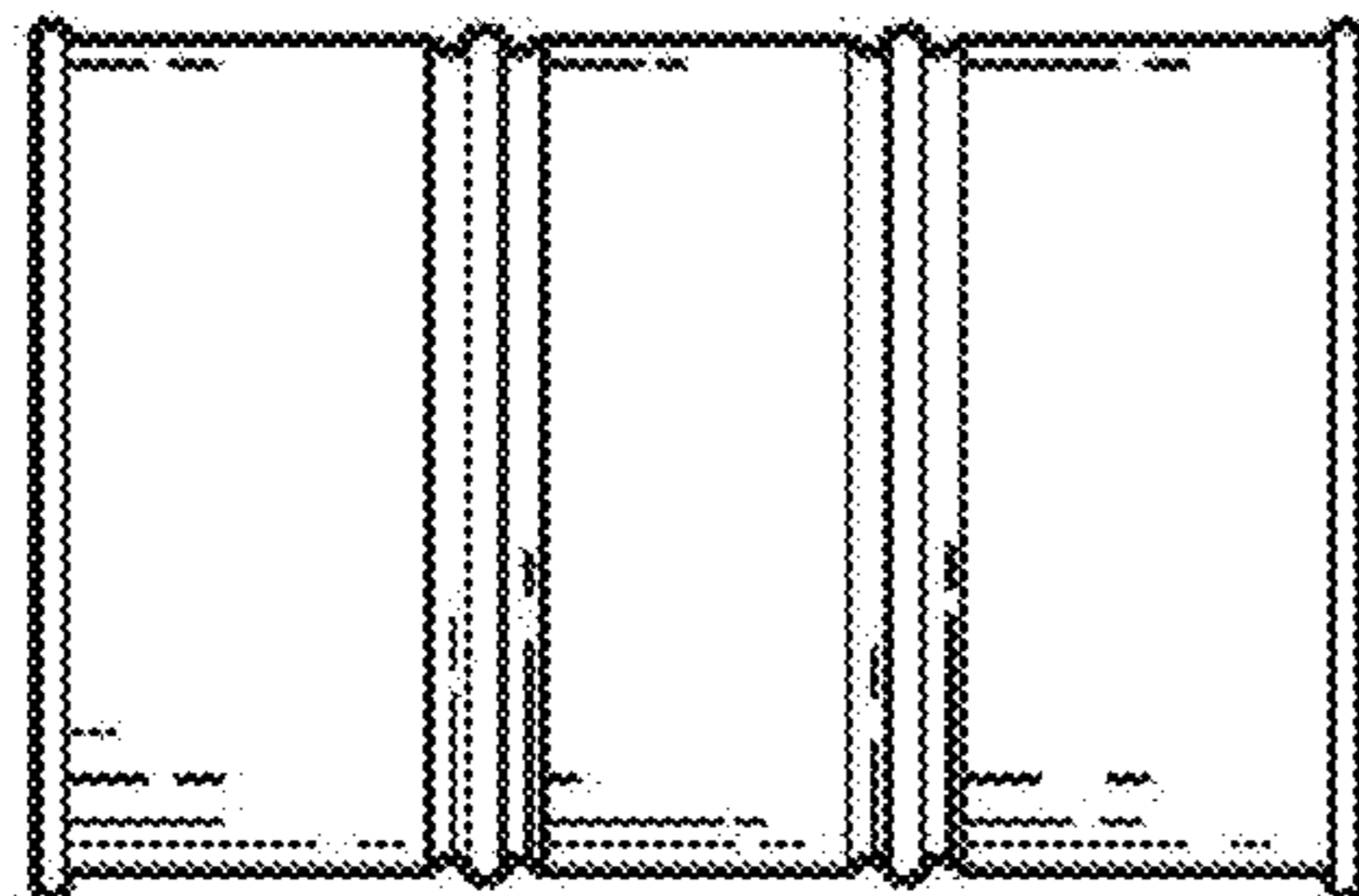
Primary Examiner — Ian Simmons
Assistant Examiner — Richelle G Shelton
(74) *Attorney, Agent, or Firm* — Risso & Associates

(57) **CLAIM**
The ornamental design for an earplug, as shown and described.

DESCRIPTION

FIG. 1 is a front, right, perspective view of an earplug;
FIG. 2 is a rear, left, perspective view of the earplug;
FIG. 3 is a right-view of the earplug, the left-view being a mirror image thereof;
FIG. 4 is a top-view of the earplug, the bottom-view being a mirror image thereof;
FIG. 5 is a front-view of the earplug; and,
FIG. 6 is a rear-view of the earplug.

1 Claim, 1 Drawing Sheet



(56)

References Cited

U.S. PATENT DOCUMENTS

7,305,992 B2	12/2007	Fleming	7,967,015 B2	6/2011	Jenkins, Jr.
7,314,047 B2	1/2008	Falco	7,984,716 B2	7/2011	Purcell et al.
D592,300 S	5/2009	Yeh	8,113,207 B2	2/2012	Gehling et al.
7,537,011 B2	5/2009	Falco	8,161,975 B2	4/2012	Turdjian
D600,773 S *	9/2009	Hall D22/139	D663,914 S *	7/2012	Howard D34/39
D603,502 S *	11/2009	Petersen D24/133	2006/0102418 A1	5/2006	Magidson
D606,189 S	12/2009	Lajtai	2008/0207790 A1 *	8/2008	Knauer A61F 11/08
7,697,706 B2	4/2010	Doty			521/145
D620,117 S *	7/2010	Dawson D24/156	2010/0294285 A1	11/2010	Turdjian
D624,999 S	10/2010	Turdjian et al.	2012/0073583 A1	3/2012	Turdjian
			2012/0199143 A1	8/2012	Turdjian et al.
			2012/0272974 A1	11/2012	Magidson et al.

* cited by examiner

FIG. 1

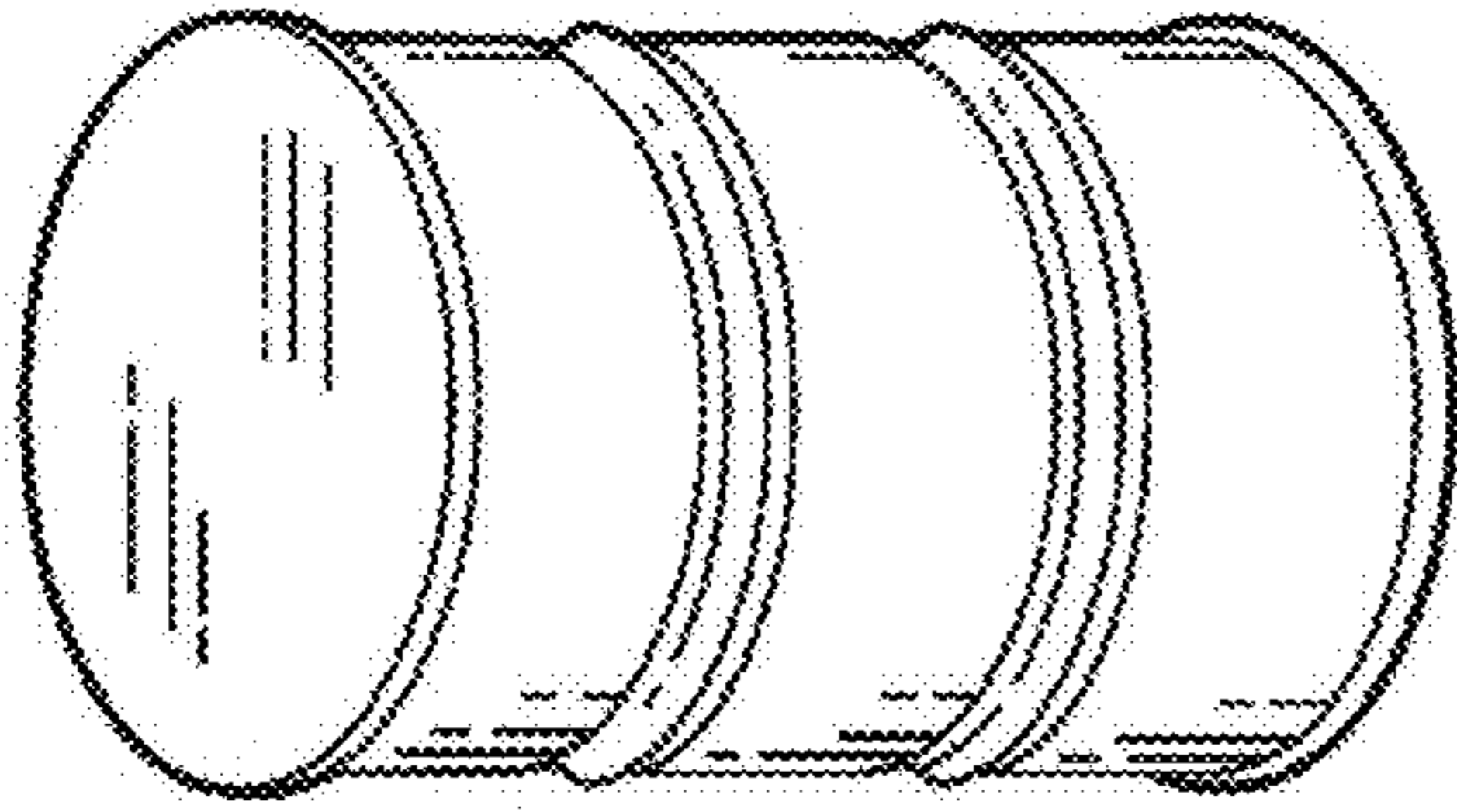


FIG. 2

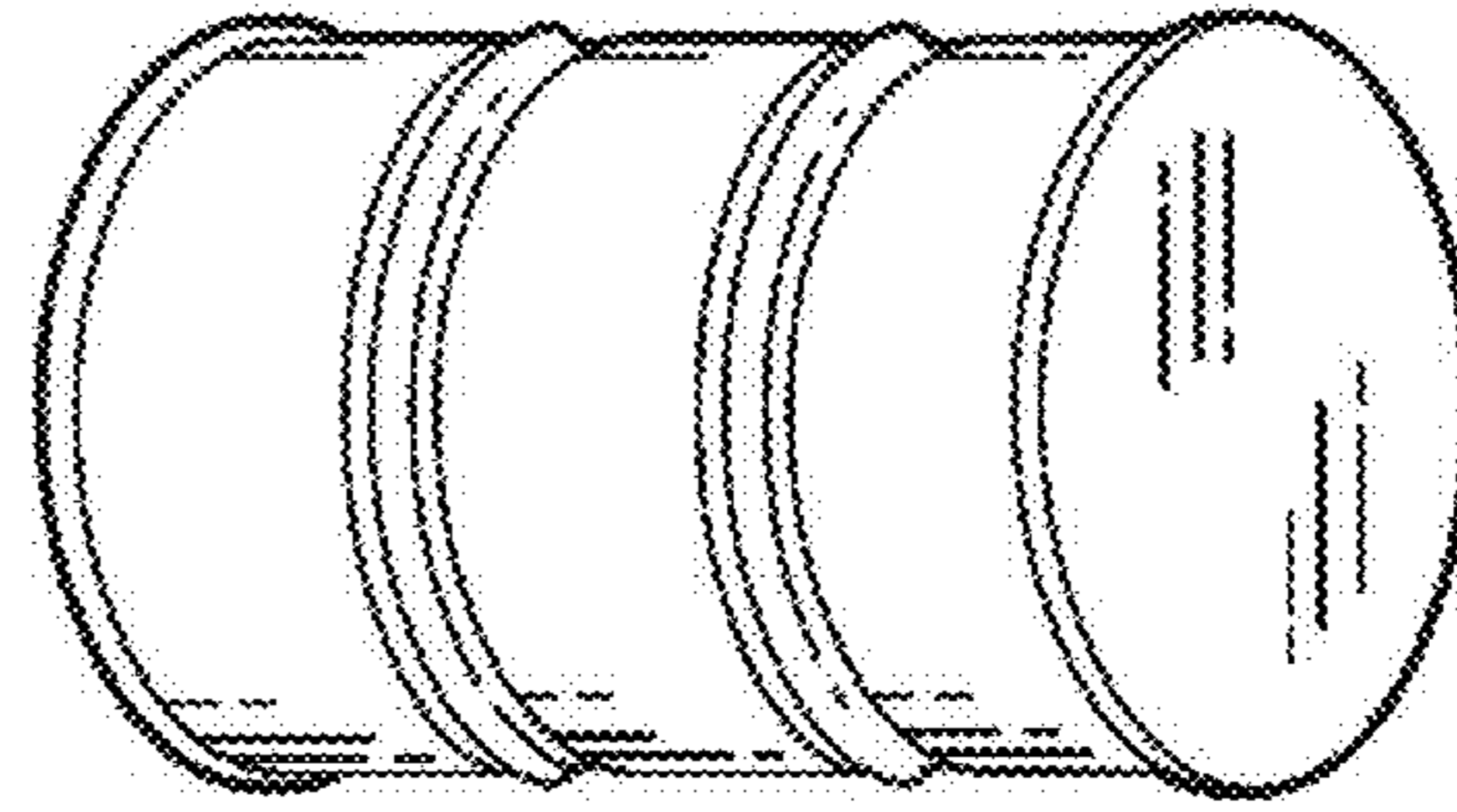


FIG. 3

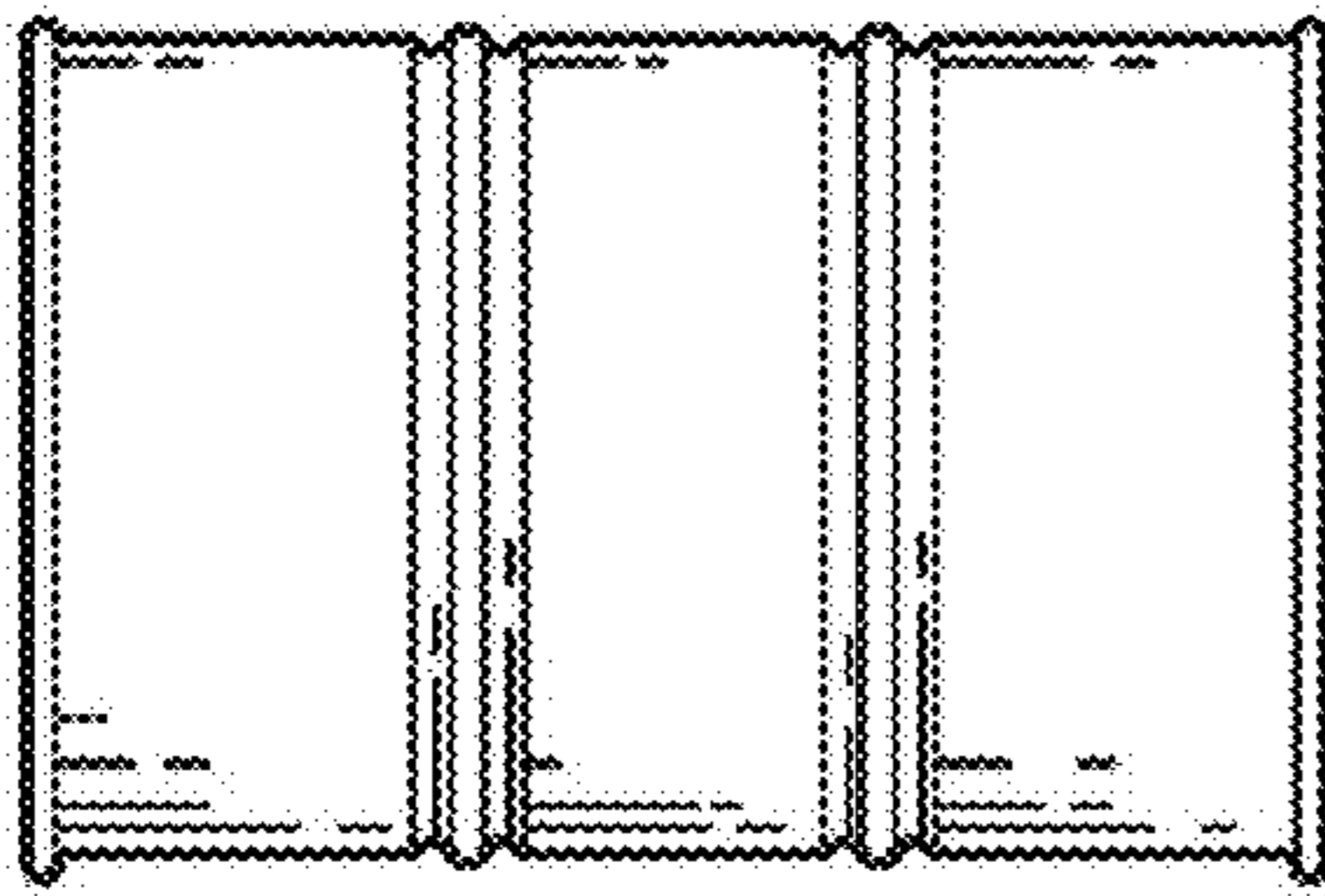


FIG. 4

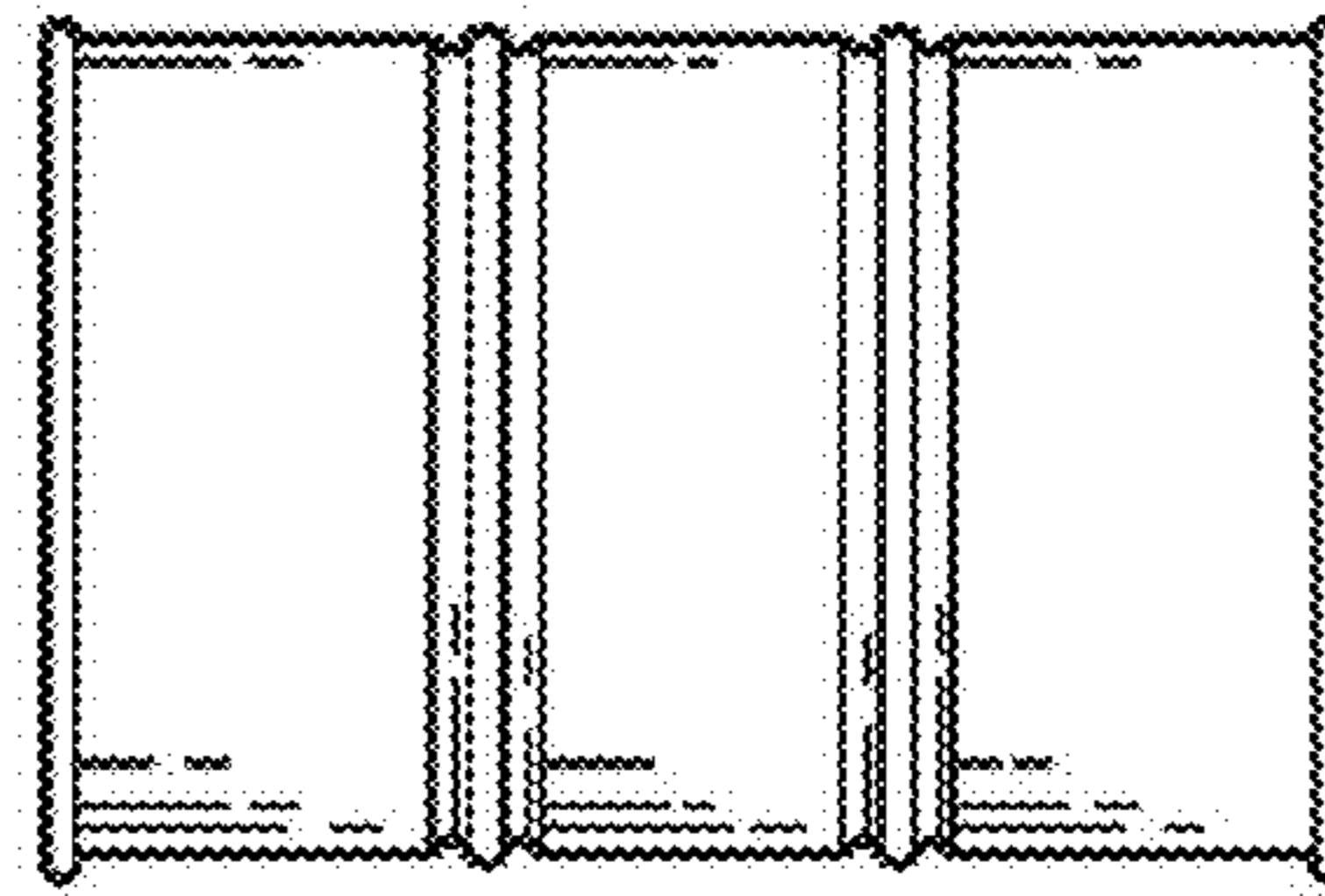


FIG. 5

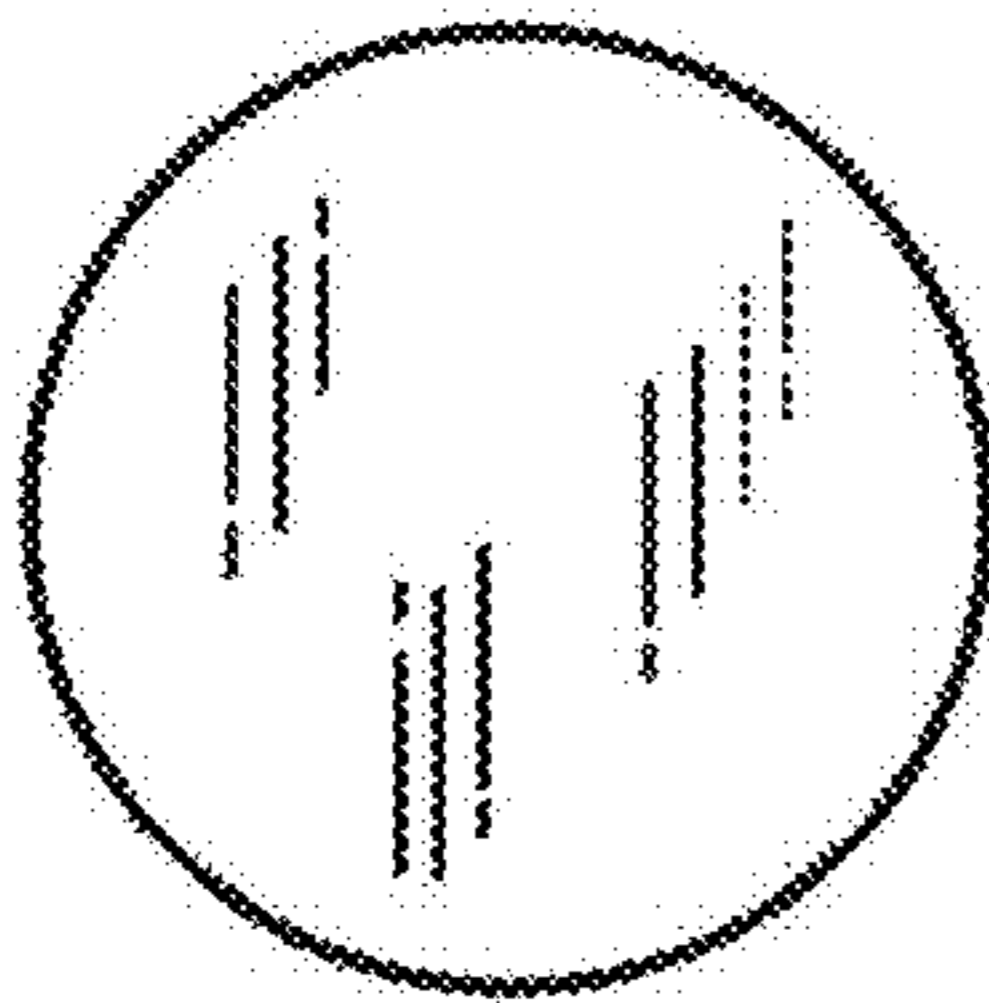


FIG. 6

