



US00D761411S

(12) **United States Design Patent**  
**Schanzenbach et al.**

(10) **Patent No.:** **US D761,411 S**  
(45) **Date of Patent:** **\*\* Jul. 12, 2016**

(54) **FAN**  
(71) Applicant: **STEGO-Holding GmbH**, Schwaebisch Hall (DE)

D150,366 S \* 7/1948 Koch ..... D23/370  
D230,736 S \* 3/1974 Rousey ..... D23/370  
D272,846 S \* 2/1984 McVicker ..... D23/371

(Continued)

(72) Inventors: **Bernd Armin Schanzenbach**, Mainhardt Geisselhardt (DE); **Robert Dent**, Schwaebisch Hall (DE); **Elmar Mangold**, Unterschneidheim (DE)

FOREIGN PATENT DOCUMENTS

DE 000002431065 1/1976  
DE 19700065 11/2001

(Continued)

(73) Assignee: **Stego-Holding GmbH**, Schwaebisch Hall (DE)

OTHER PUBLICATIONS

Russian Appln. No. 2014504132/49, Decision to Grant dated Aug. 3, 2015, 9 pages.

(Continued)

(\*\*) Term: **14 Years**

(21) Appl. No.: **29/506,467**

(22) Filed: **Oct. 16, 2014**

*Primary Examiner* — Susan Bennett Hattan

*Assistant Examiner* — Marie Fast Horse

(30) **Foreign Application Priority Data**

(74) *Attorney, Agent, or Firm* — Boyle Fredrickson, S.C.

Apr. 17, 2014 (EM) ..... 002448977

(51) **LOC (10) Cl.** ..... **23-04**

(57) **CLAIM**

(52) **U.S. Cl.**

The ornamental design for a fan, as shown and described.

USPC ..... **D23/371**; D23/392

(58) **Field of Classification Search**

**DESCRIPTION**

USPC ..... D23/370–379, 381, 382–388, 392–394, D23/399, 411, 412, 355, 356, 364, 365; 416/180, 189, 190, 204 R, 219 R, 220, 416/244 R, 246, 247 R, 142; 454/353; 96/63, 96/139, 189, 417, 418

CPC ... F24F 13/14; F24F 7/013; F24F 2011/0093; A01K 1/0052; B01D 2273/30

See application file for complete search history.

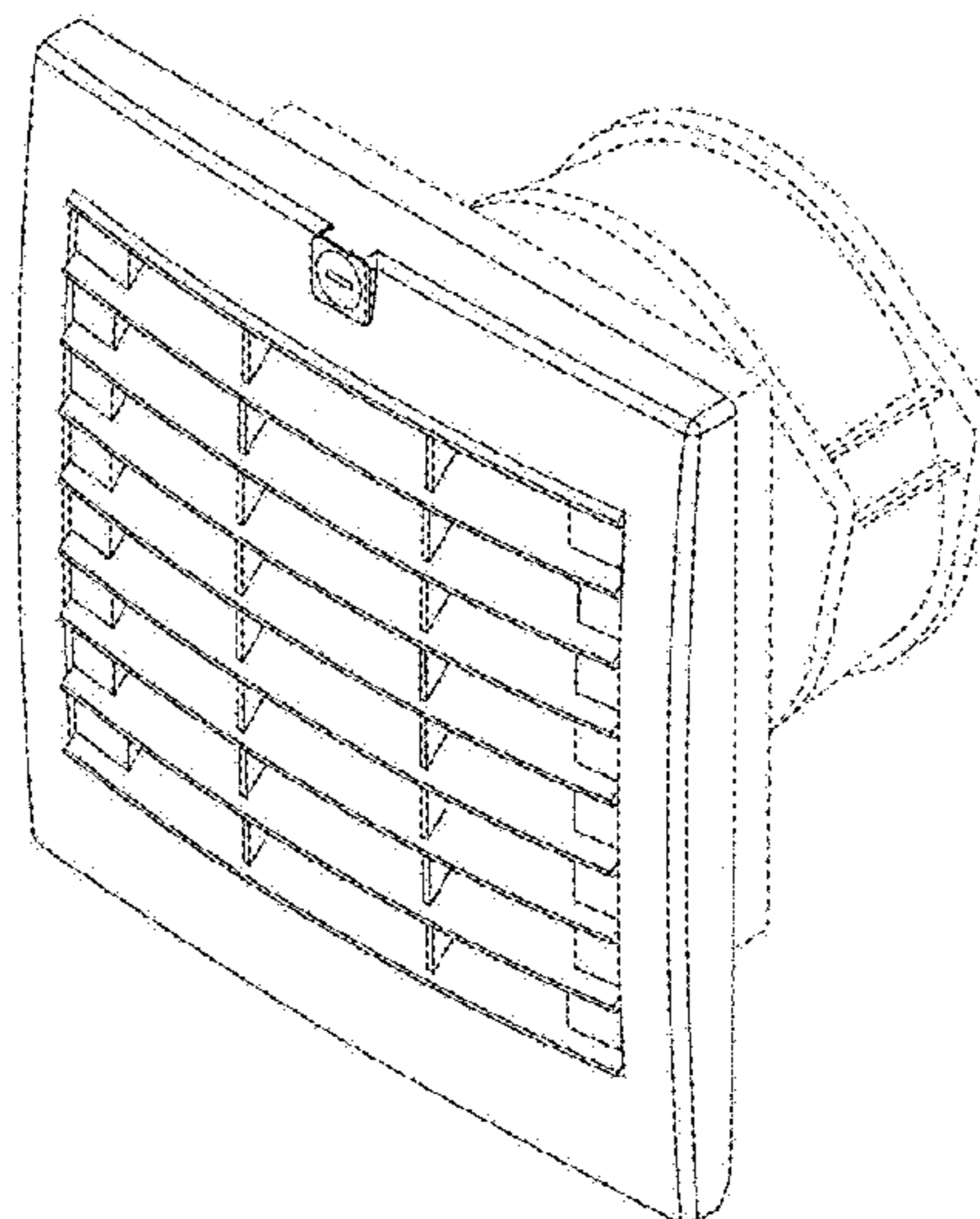
FIG. 1 is an isometric view of a second embodiment of a fan in accordance with the present invention;  
FIG. 2 is a front elevational view of the fan of FIG. 1;  
FIG. 3 is a rear elevational view of the fan of FIG. 1;  
FIG. 4 is a side elevational view of a first side of the fan of FIG. 1;  
FIG. 5 is a side elevational view of a second side of the fan of FIG. 1;  
FIG. 6 is a top plan view of the fan of FIG. 1; and,  
FIG. 7 is a bottom plan view of the fan of FIG. 1.  
The broken lines in the drawings depict parts of the fan that form no part of the claimed design.

(56) **References Cited**

U.S. PATENT DOCUMENTS

D87,982 S \* 10/1932 Seyfried ..... D23/370  
2,359,289 A \* 10/1944 Brown ..... E06B 7/084  
160/104

**1 Claim, 7 Drawing Sheets**



(56)

References Cited

U.S. PATENT DOCUMENTS

D338,954 S \* 8/1993 Brock ..... D23/387  
 5,254,034 A \* 10/1993 Roth ..... F24F 13/08  
 454/277  
 D387,859 S \* 12/1997 Ukai ..... D23/370  
 5,987,836 A \* 11/1999 Sullivan ..... F24F 13/082  
 454/277  
 D426,292 S \* 6/2000 Nanjo ..... D23/351  
 6,110,245 A \* 8/2000 Schlag ..... B01D 46/001  
 454/184  
 D433,116 S \* 10/2000 Han ..... D23/393  
 6,328,791 B1 \* 12/2001 Pillion ..... B01D 46/0043  
 55/471  
 D453,375 S \* 2/2002 Peng ..... D23/370  
 6,699,301 B1 \* 3/2004 Eisenhauer ..... B01D 46/0034  
 55/471  
 6,814,660 B1 \* 11/2004 Cavett ..... B01D 46/0005  
 454/284  
 D566,257 S \* 4/2008 Deng ..... D23/371  
 D577,431 S \* 9/2008 Miyake ..... D23/385  
 D581,508 S \* 11/2008 Miyake ..... D23/371  
 D583,042 S 12/2008 Jackson et al.  
 D584,393 S \* 1/2009 Miyake ..... D23/370  
 D584,394 S \* 1/2009 Miyake ..... D23/370  
 D587,797 S \* 3/2009 Blanchard ..... D23/370  
 D593,193 S \* 5/2009 Jackson ..... D23/371  
 D595,402 S \* 6/2009 Miyake ..... D23/385

2002/0173265 A1 11/2002 Kipka et al.  
 2003/0114101 A1 \* 6/2003 Paz ..... E06B 5/02  
 454/224  
 2004/0118276 A1 \* 6/2004 Kim ..... B01D 46/0023  
 95/8  
 2008/0121107 A1 \* 5/2008 Pfannenber ..... B01D 46/0005  
 96/417  
 2010/0003126 A1 1/2010 Wang  
 2013/0023199 A1 1/2013 Li et al.  
 2013/0068106 A1 \* 3/2013 Hartmann ..... B01D 46/0086  
 96/418  
 2015/0253032 A1 \* 9/2015 Kono ..... F24F 13/14  
 165/177

FOREIGN PATENT DOCUMENTS

DE 19825602 11/2002  
 DE 202006010888 9/2006  
 DE 202006016841 2/2007  
 DE 102010016504 10/2011  
 DE 102014101184 11/2014

OTHER PUBLICATIONS

International Search Report, PCT/EP2014/060550, dated Aug. 21, 2014, 11 pages.  
 Office Action, DE Appln. No. 102014101184.8, dated Apr. 30, 2014, 8 pages.

\* cited by examiner

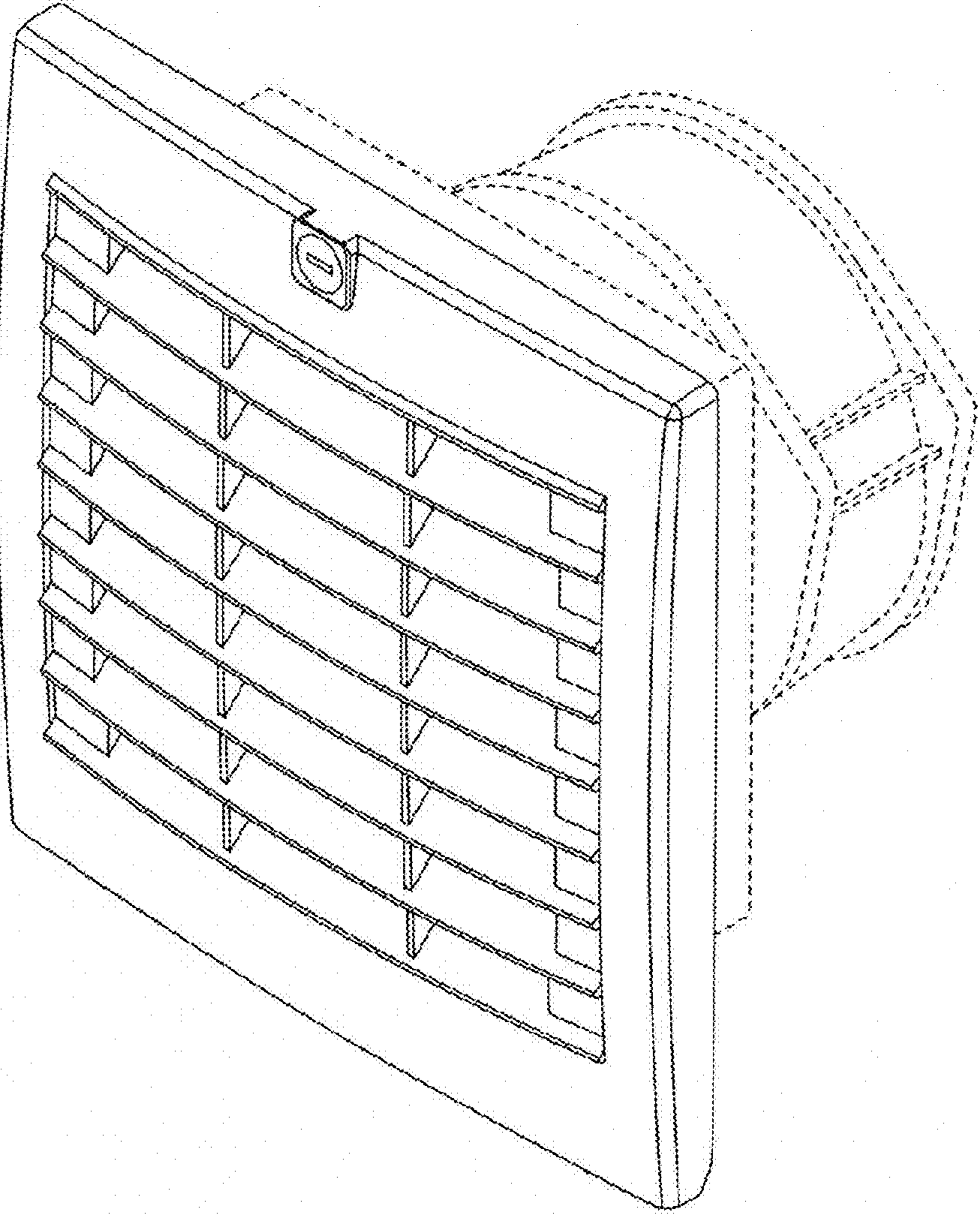


FIG. 1



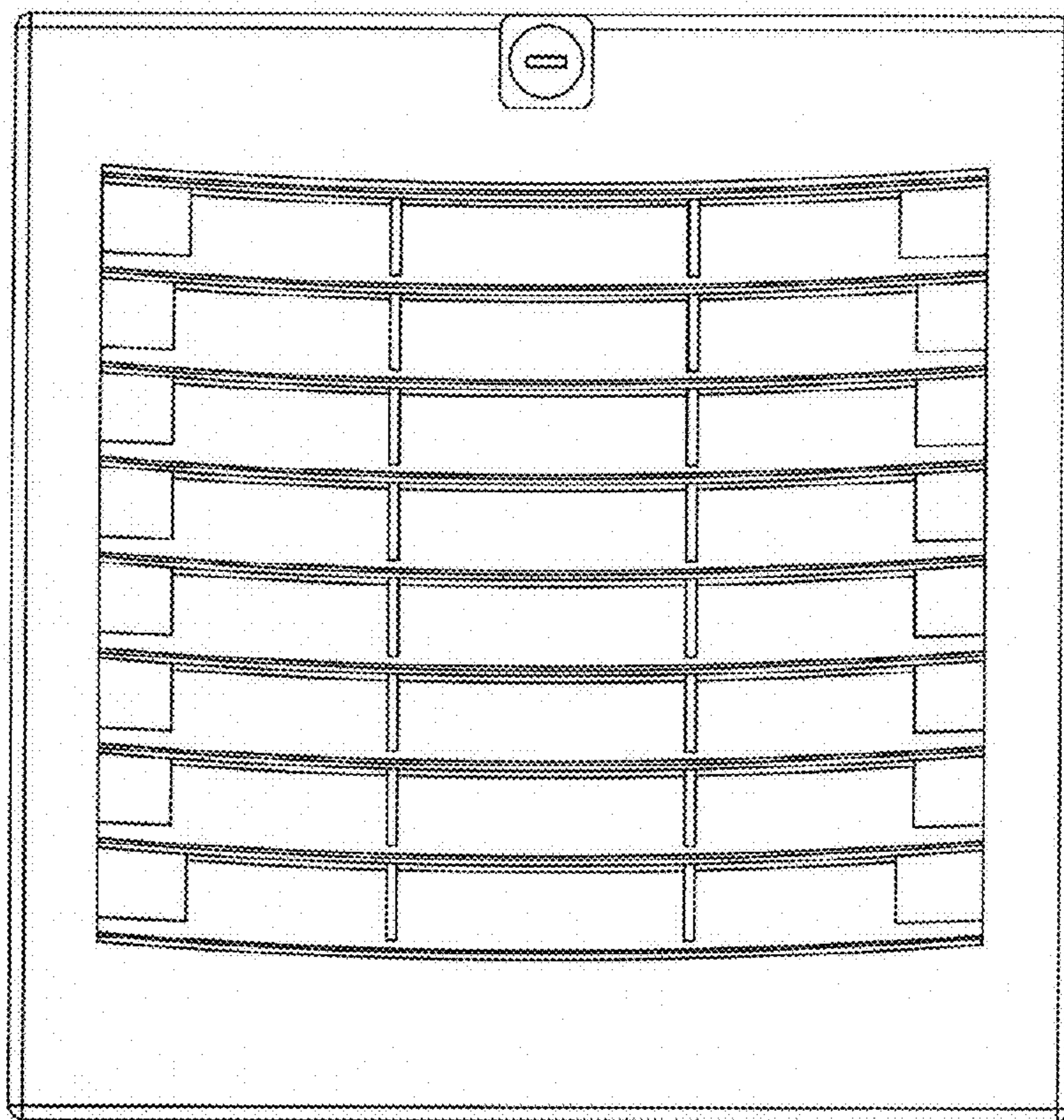


FIG. 2

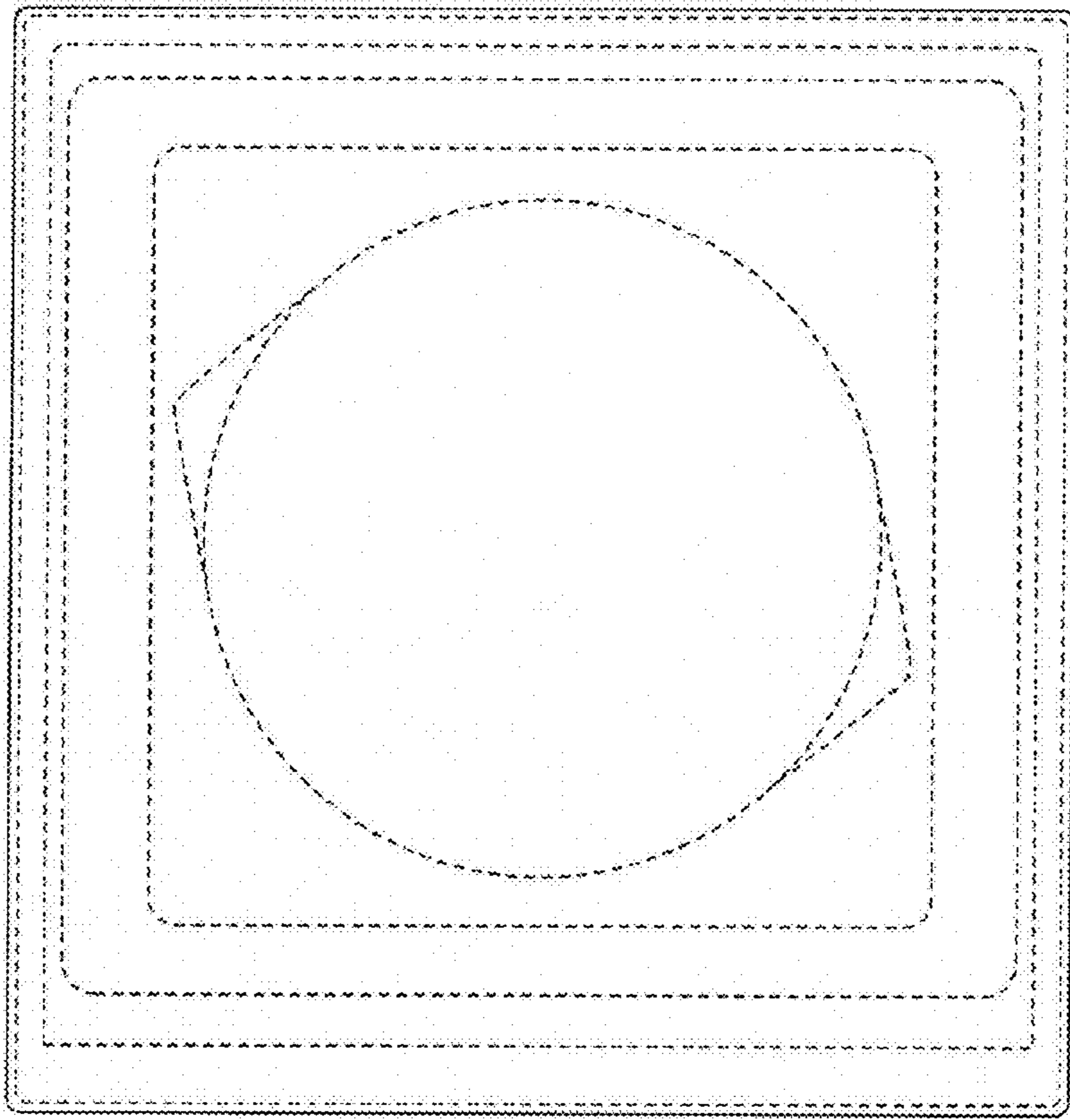


FIG. 3

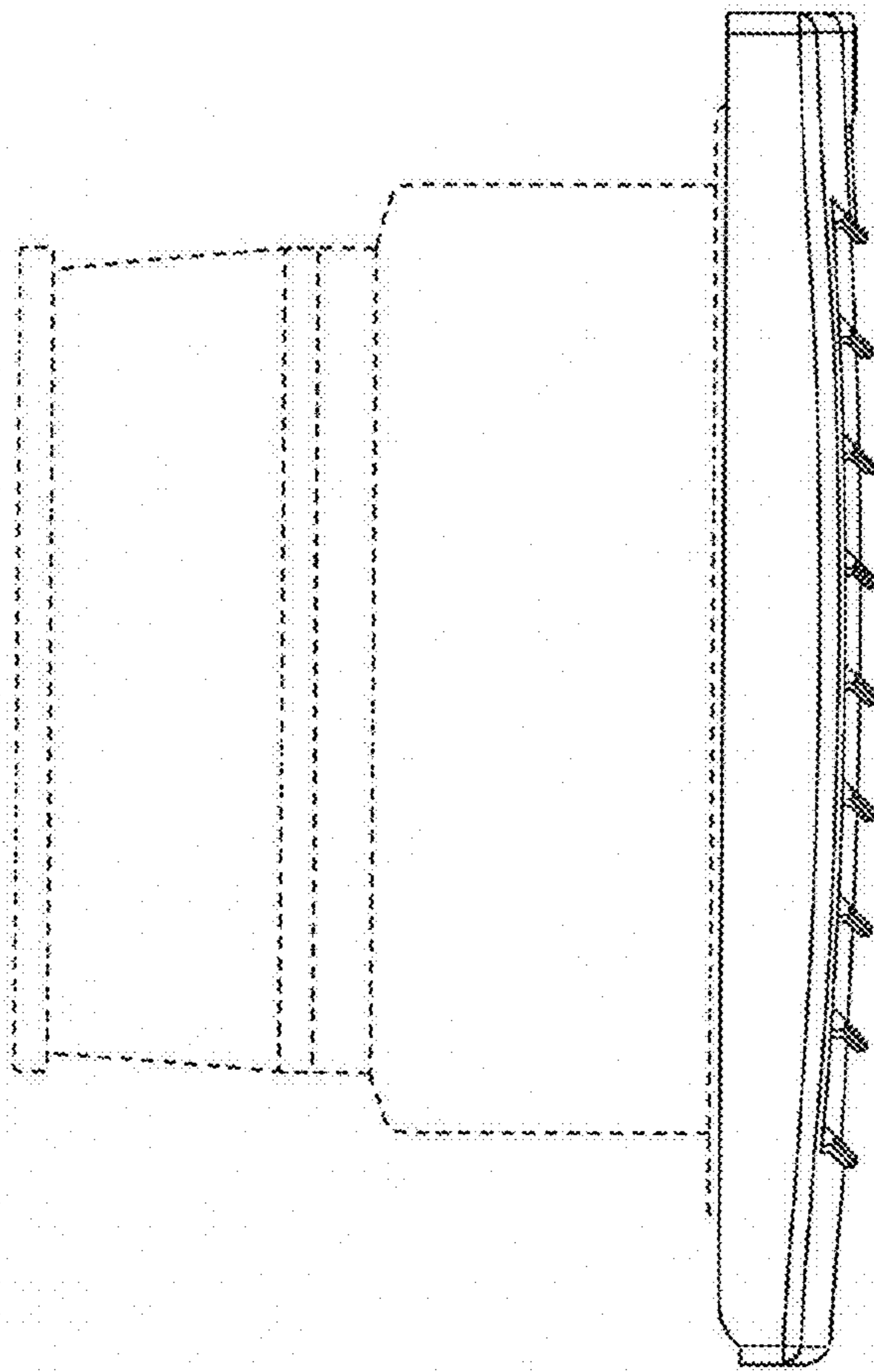


FIG. 4

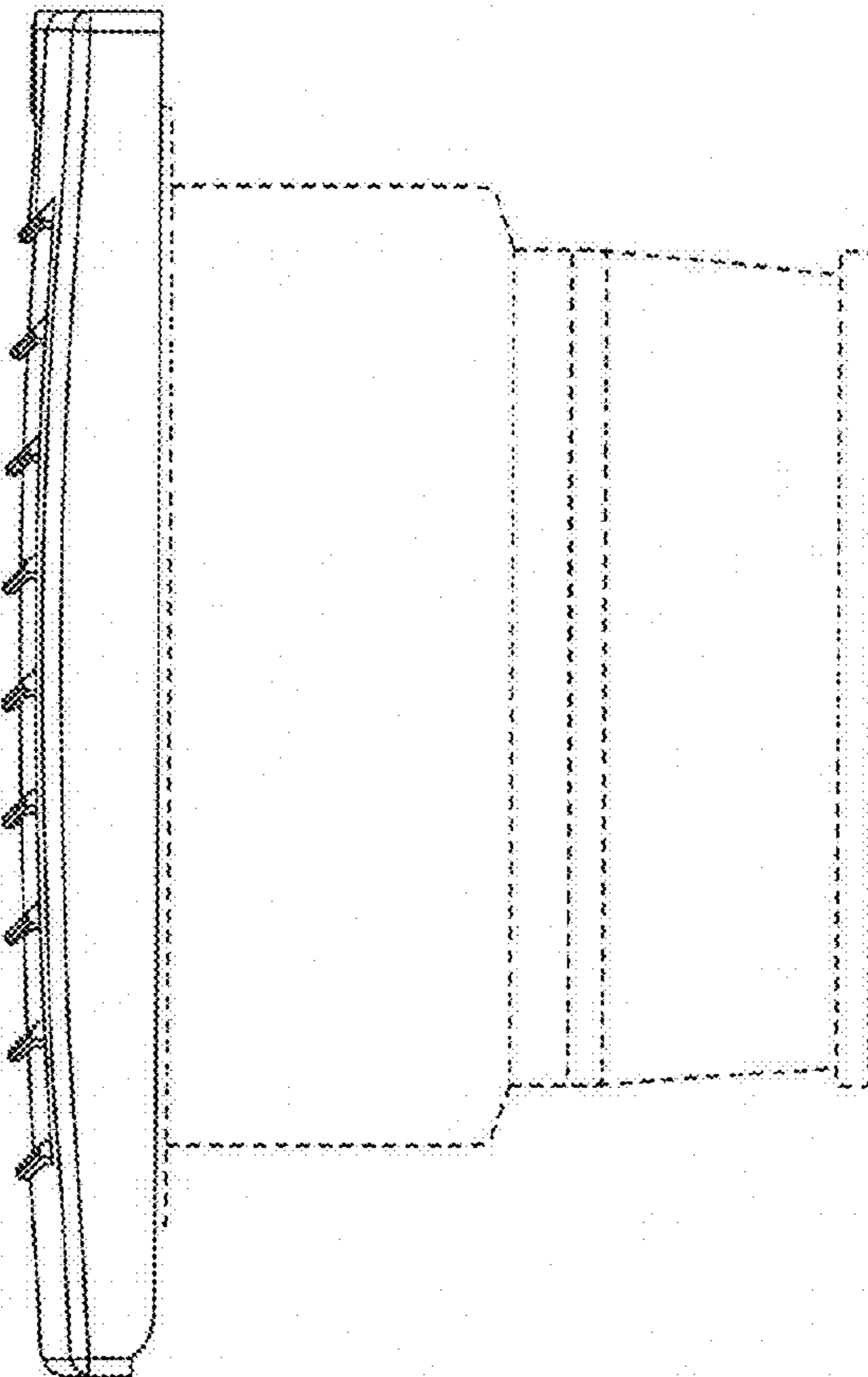


FIG. 5

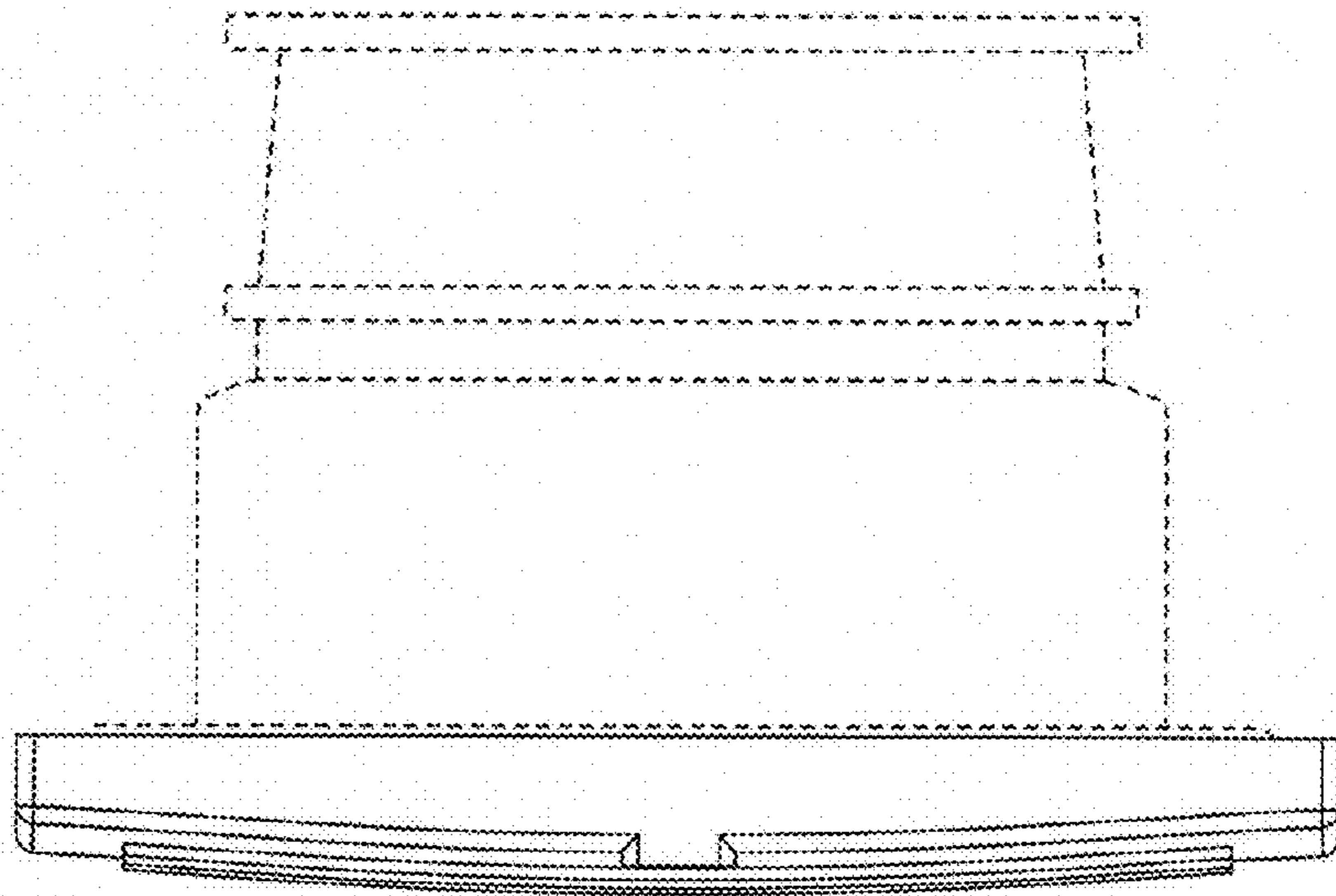


FIG. 6



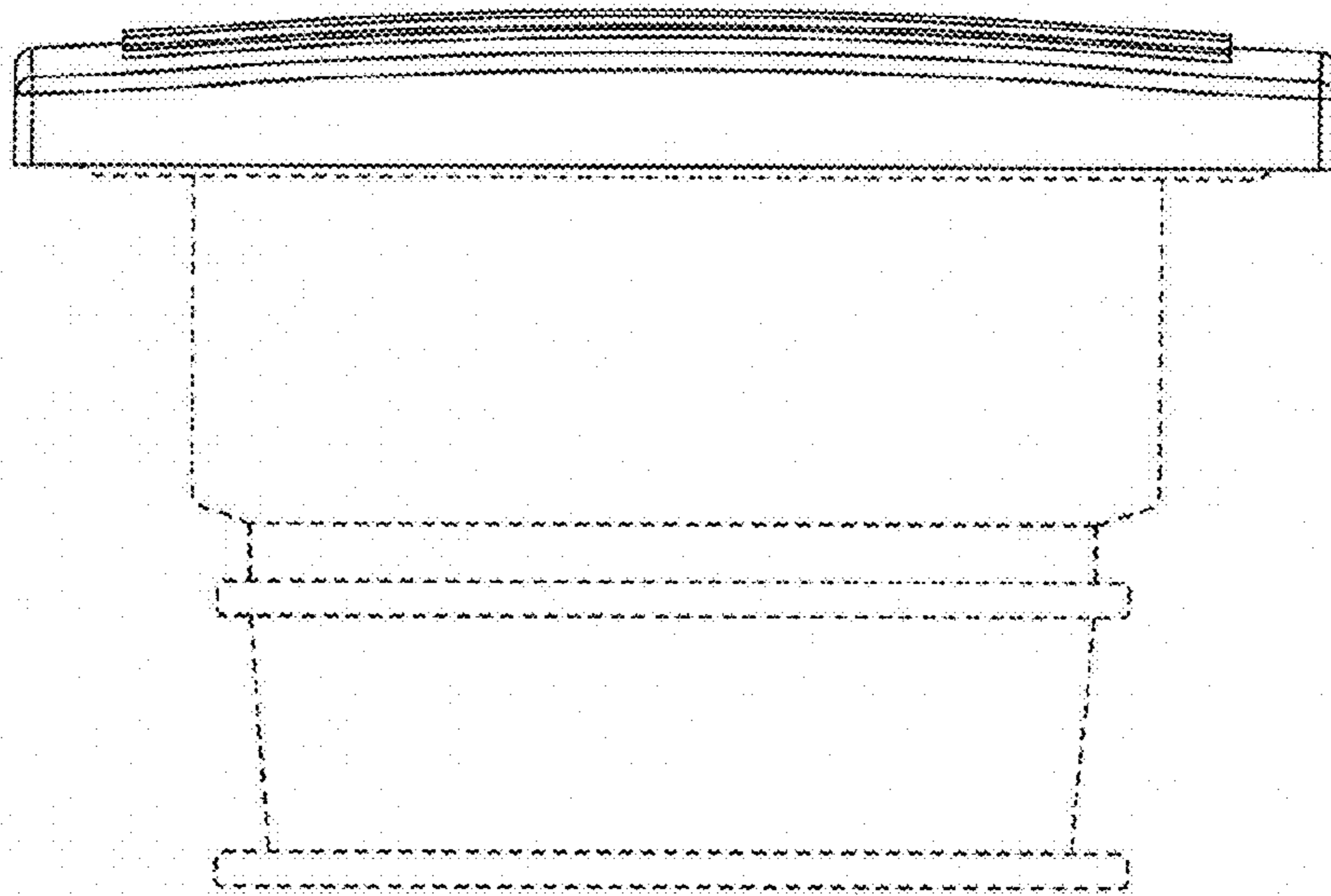


FIG. 7