

US00D761410S

(12) **United States Design Patent**  
**Carlsen**

(10) **Patent No.:** **US D761,410 S**  
(45) **Date of Patent:** **\*\* Jul. 12, 2016**

(54) **BLOWER WITH INTEGRATED BASE**

(71) Applicant: **Trae Carlsen**, Allendale, MI (US)

(72) Inventor: **Trae Carlsen**, Allendale, MI (US)

(73) Assignee: **Alvimar-Global**, Grand Rapids, MI (US)

(\*\*) Term: **15 Years**

(21) Appl. No.: **29/530,812**

(22) Filed: **Jun. 19, 2015**

**Related U.S. Application Data**

(63) Continuation-in-part of application No. 29/466,808, filed on Sep. 11, 2013, now abandoned.

(51) **LOC (10) Cl.** ..... **23-04**

(52) **U.S. Cl.**  
USPC ..... **D23/370; D23/383**

(58) **Field of Classification Search**  
USPC ..... D23/364, 365, 370-373, 376, 381-387, D23/393, 399, 411, 335; D15/7, 10-33; D32/15, 23, 25; 454/349, 354, 329; 55/481, 467, 492, 493, 385.1; 126/104 A, 110 A; 417/199.1, 411; 406/28; 415/208.1, 108, 129, 128, 141, 415/196, 203, 206, 213.1-215.1  
CPC ... A61M 16/0066; F04D 29/281; F04D 29/28  
See application file for complete search history.

(56) **References Cited**

**U.S. PATENT DOCUMENTS**

- 1,564,896 A \* 12/1925 Truman ..... A45D 20/10 338/305
- D168,924 S \* 3/1953 Colvin ..... D23/370
- D185,175 S \* 5/1959 Schlumbohm ..... D23/370
- D234,415 S \* 3/1975 Lauderback ..... D32/23
- D263,496 S \* 3/1982 Kimball ..... D12/194
- D306,064 S \* 2/1990 Bartlett ..... 415/213.1
- D327,316 S \* 6/1992 Yoshidomi ..... D23/383

- D367,826 S \* 3/1996 Ball ..... D10/109.1
- D422,351 S \* 4/2000 Griffin ..... D23/383
- D440,298 S \* 4/2001 Wolfe ..... D23/383
- D530,706 S \* 10/2006 Gustafson ..... D14/228
- D531,171 S \* 10/2006 Gustafson ..... D14/228
- D540,455 S \* 4/2007 Ferraro, Sr. .... D23/383
- D559,374 S \* 1/2008 Shaanan ..... D23/370
- D591,414 S \* 4/2009 Farnaby ..... D23/209
- D639,924 S \* 6/2011 Winkler ..... D23/370
- D657,101 S \* 4/2012 Williams ..... D32/23
- D676,951 S \* 2/2013 Winkler ..... D23/370
- D691,336 S \* 10/2013 Griffin ..... D32/15
- D707,207 S \* 6/2014 Cooper ..... D14/225
- D708,731 S \* 7/2014 Lei ..... D23/383
- D738,481 S \* 9/2015 Markić ..... D23/383
- 2003/0035735 A1 \* 2/2003 Wang ..... F04D 29/083 417/234
- 2006/0120887 A1 \* 6/2006 Ogishima ..... F04D 25/0606 417/321
- 2007/0099554 A1 \* 5/2007 Liang ..... F04D 29/4226 454/76
- 2008/0131275 A1 \* 6/2008 Tokunaga ..... F04D 29/059 415/206
- 2009/0162226 A1 \* 6/2009 Campbell ..... F04D 29/4226 417/423.14
- 2014/0158131 A1 \* 6/2014 Kenyon ..... A61M 16/0066 128/204.18

\* cited by examiner

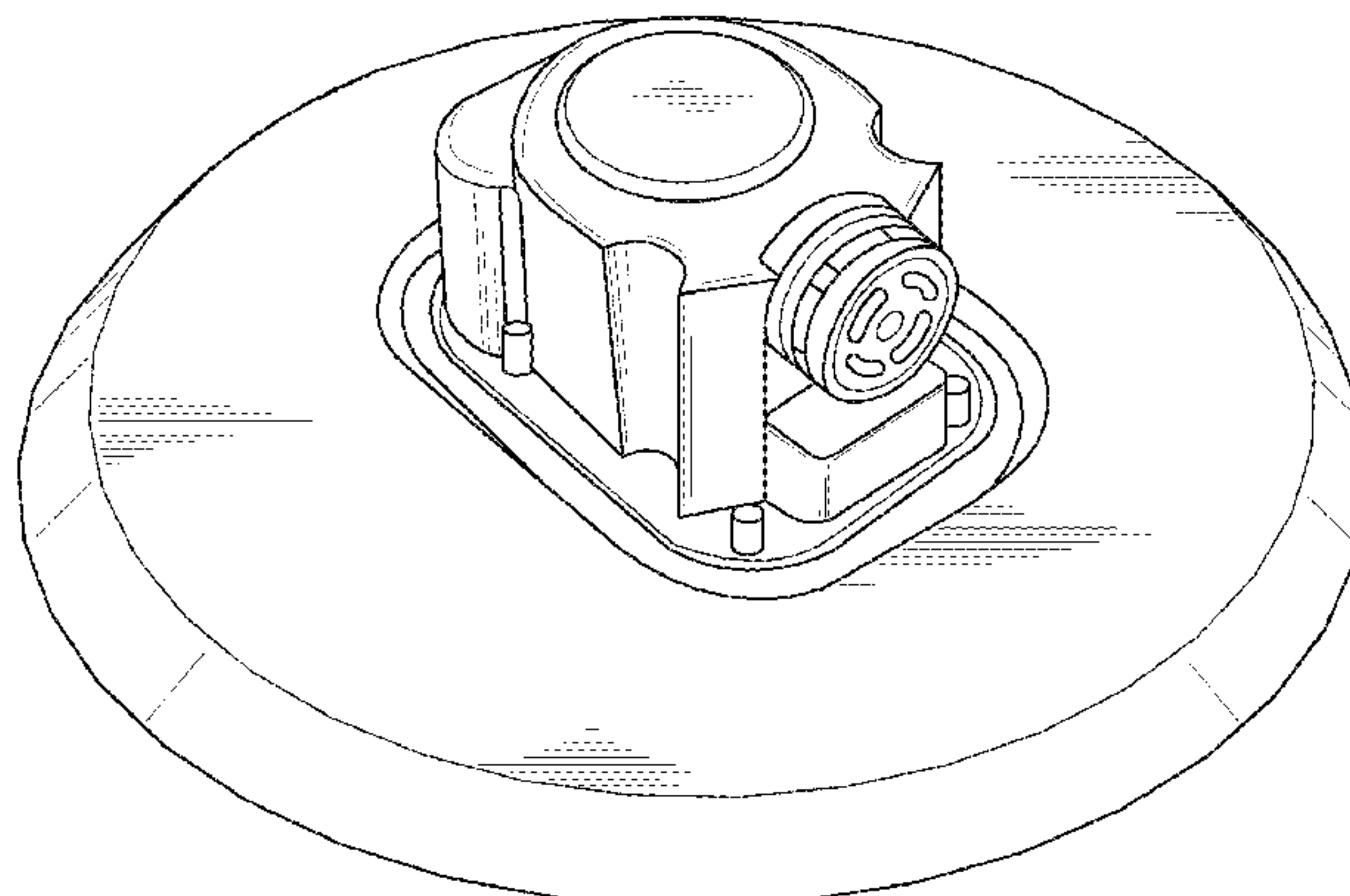
*Primary Examiner* — Mark Goodwin  
(74) *Attorney, Agent, or Firm* — Jelic Patent Services, LLC; Stanley E. Jelic

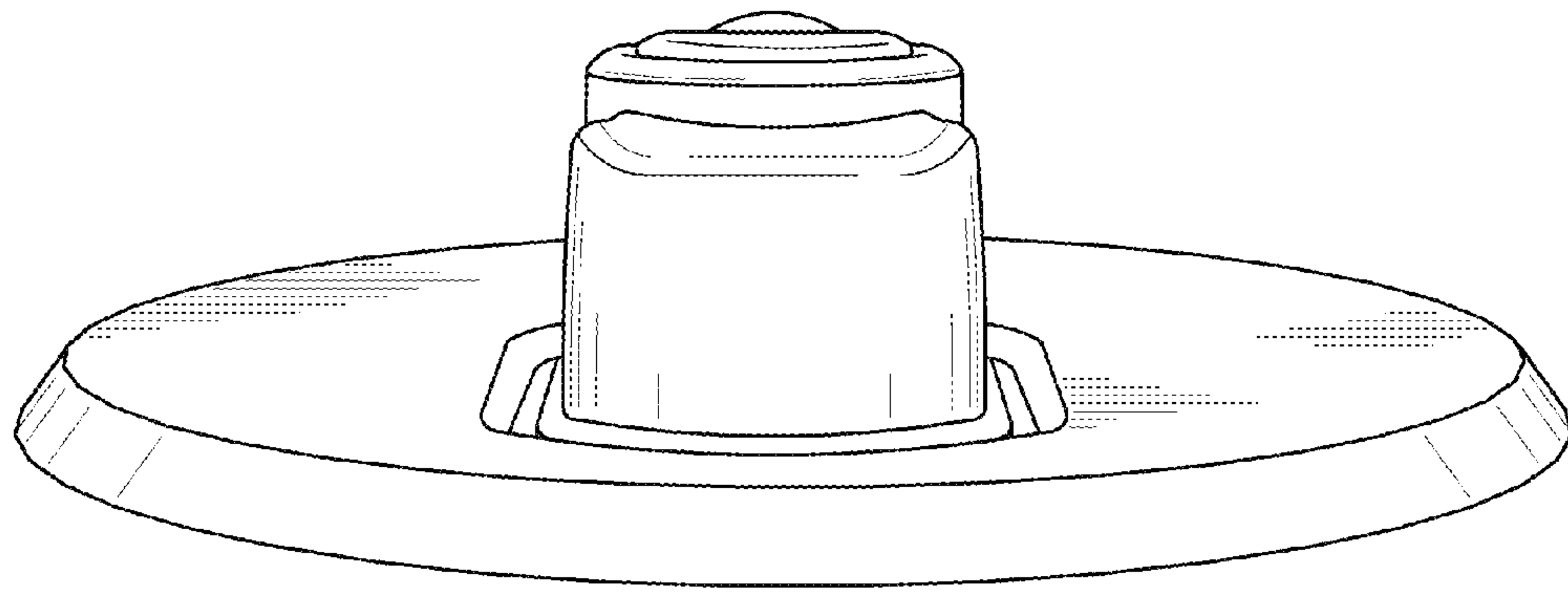
(57) **CLAIM**  
The ornamental design for a blower with integrated base, as shown and described.

**DESCRIPTION**

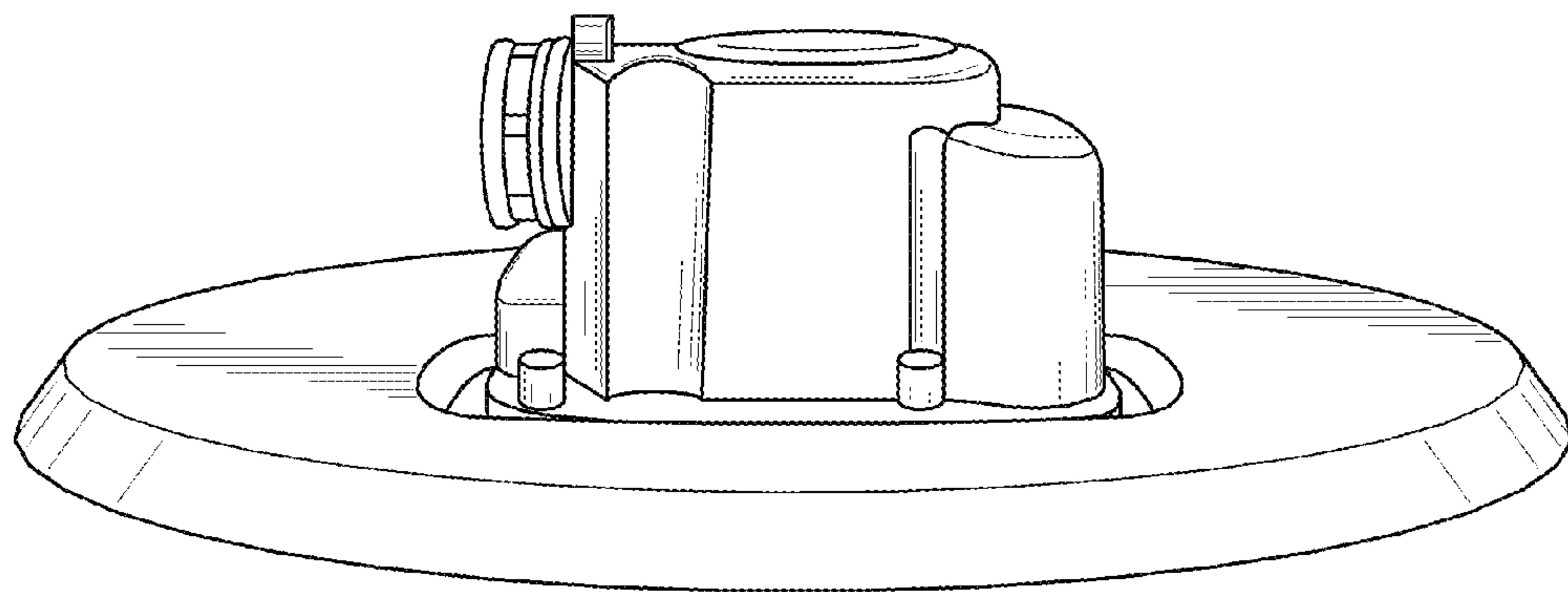
FIG. 1 is a back view of a blower with integrated base; FIG. 2 is a right-side view thereof; FIG. 3 is a top view thereof; FIG. 4 is a front view thereof; FIG. 5 is a perspective view thereof; and, FIG. 6 is a left-side view thereof.

**1 Claim, 3 Drawing Sheets**





**FIG. 1**



**FIG. 2**

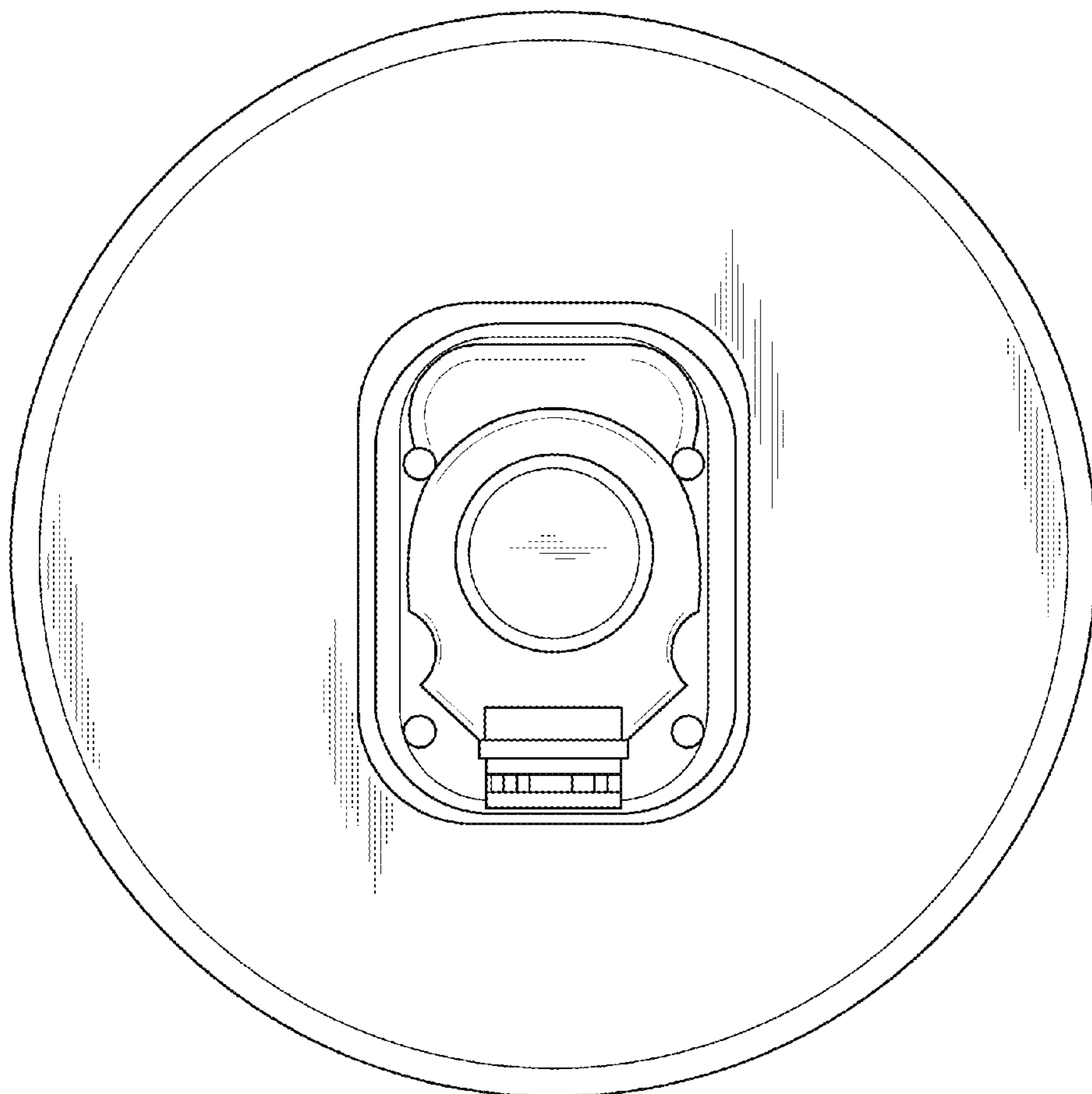


FIG. 3

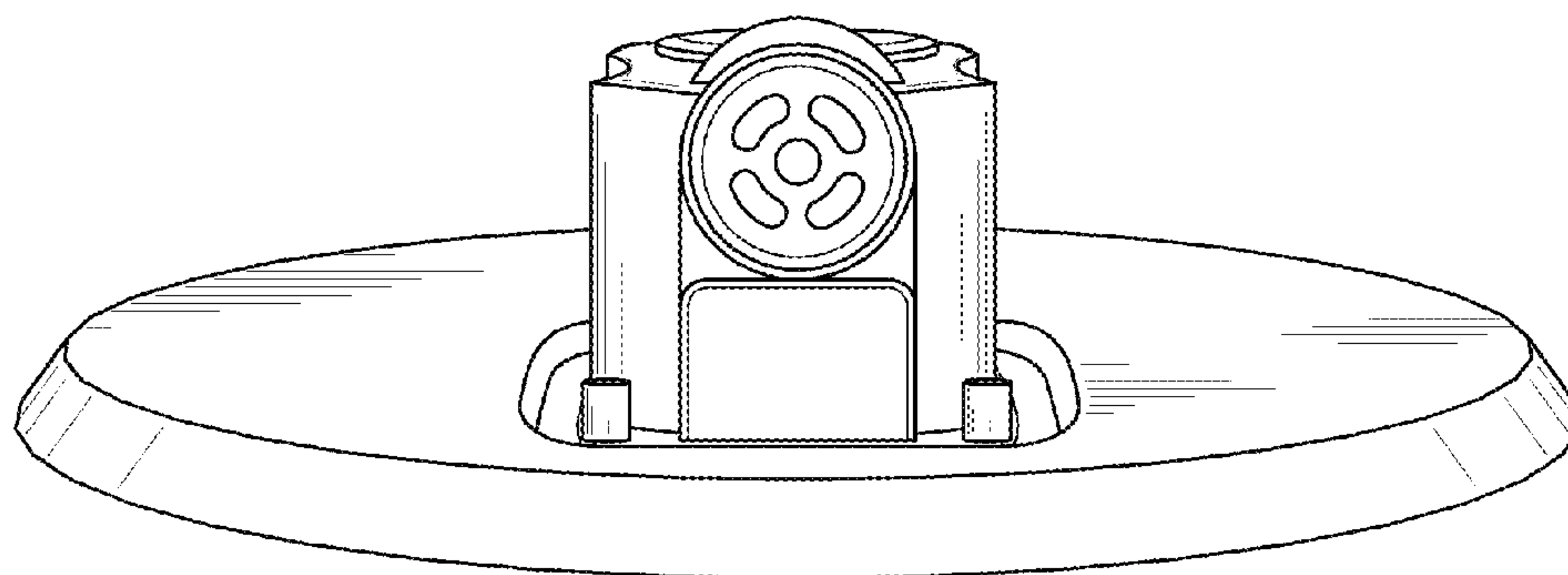


FIG. 4

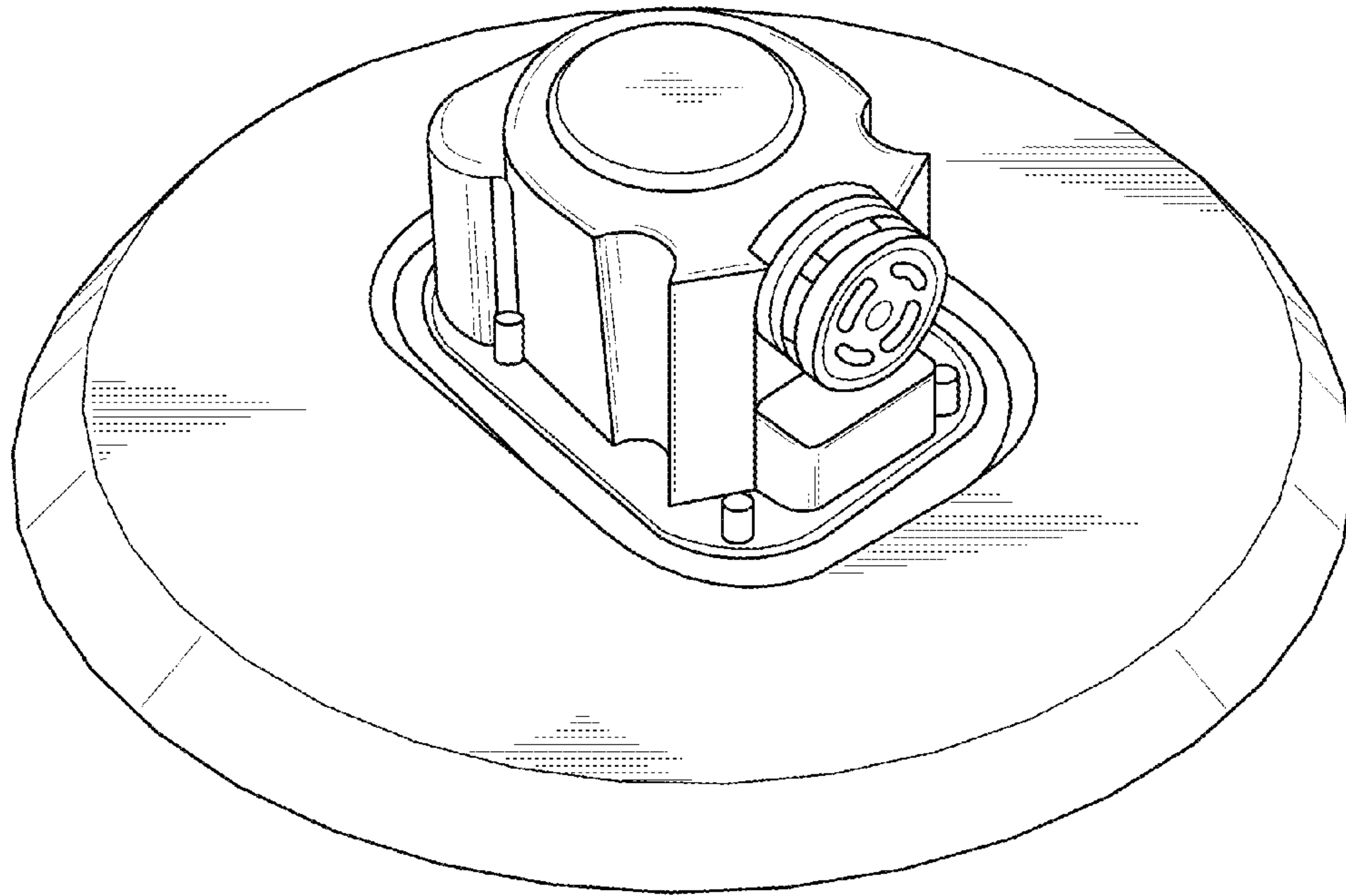


FIG. 5

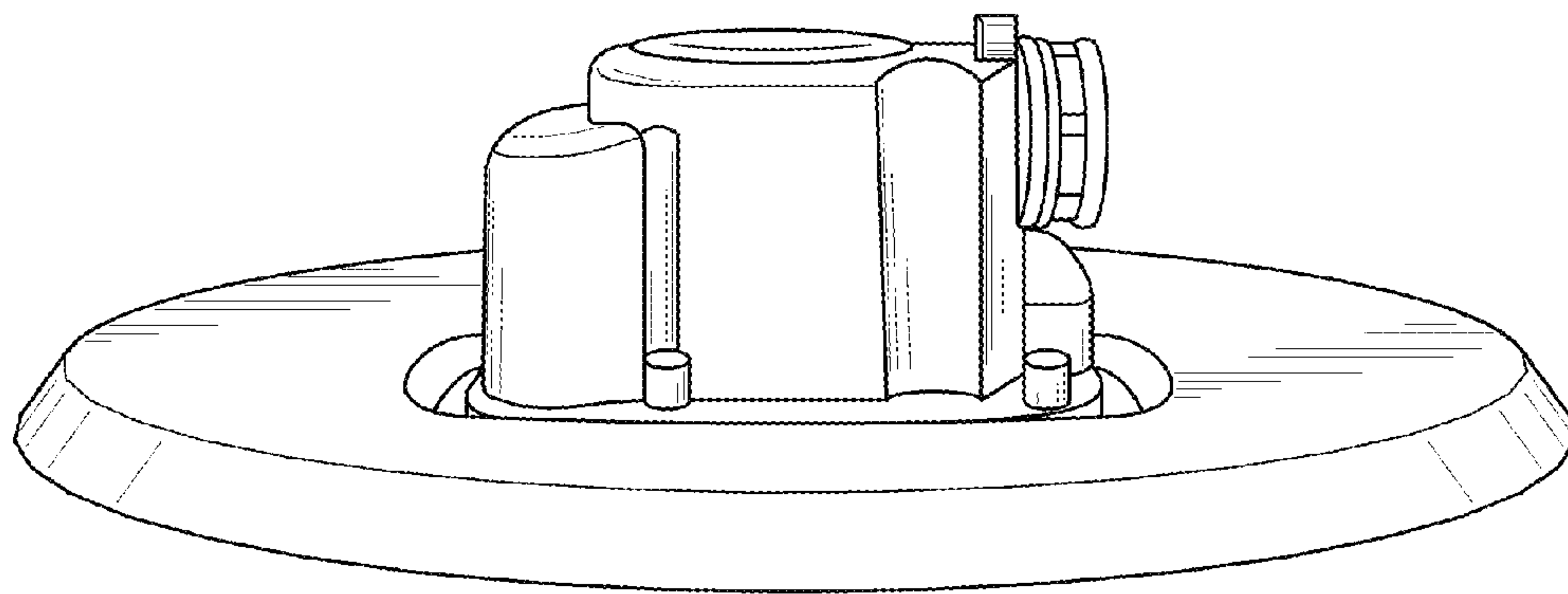


FIG. 6