

US00D761409S

(12) **United States Design Patent**
Bowen

(10) **Patent No.:** **US D761,409 S**
(45) **Date of Patent:** **** Jul. 12, 2016**

(54) **SCENT HOLDER**

(71) Applicant: **Timothy W. Bowen**, Kernersville, NC
(US)

(72) Inventor: **Timothy W. Bowen**, Kernersville, NC
(US)

(**) Term: **14 Years**

(21) Appl. No.: **29/524,198**

(22) Filed: **Apr. 17, 2015**

(51) **LOC (10) Cl.** **28-99**

(52) **U.S. Cl.**
USPC **D23/368**

(58) **Field of Classification Search**
USPC D23/355-369; D28/5, 6; 261/DIG. 17,
261/DIG. 42, DIG. 65, DIG. 88, DIG. 89;
392/386, 390, 394, 395; 239/34, 44,
239/53, 55, 56, 326
CPC A61L 9/00; A61L 9/02; A61L 9/03;
A61L 9/032; A61L 9/035; A61L 9/037;
A61L 9/04; A61L 9/12; A61L 9/22
See application file for complete search history.

(56) **References Cited**

U.S. PATENT DOCUMENTS

D55,466 S *	6/1920	Wygold	D21/376
1,380,208 A *	5/1921	Holtschneider	A24F 25/02 239/59
2,738,224 A *	3/1956	Checkovich	A61L 9/12 239/57
2,763,395 A *	9/1956	Meek	B05B 11/00 220/23.89
3,502,762 A *	3/1970	Haller	H01B 3/307 264/204
3,515,302 A *	6/1970	Curran	A61L 9/12 220/4.01
D225,009 S *	10/1972	Buhren	D23/360
4,094,639 A *	6/1978	McMillan	A61L 9/12 239/58
4,165,835 A *	8/1979	Dearling	A61L 9/12 239/45

D301,912 S	6/1989	Ward	D22/125
D325,965 S *	5/1992	Donley	D23/368
D347,886 S *	6/1994	Bender	D23/366
5,465,521 A *	11/1995	Baker	A01K 31/002 206/5
5,544,812 A *	8/1996	Torres	A61L 9/12 239/211
5,555,665 A	9/1996	Fore	43/1
D387,476 S *	12/1997	Chambers	D27/162

(Continued)

Primary Examiner — Sandra Snapp

(74) *Attorney, Agent, or Firm* — Blake P. Hurt; Tuggle Duggins P.A.

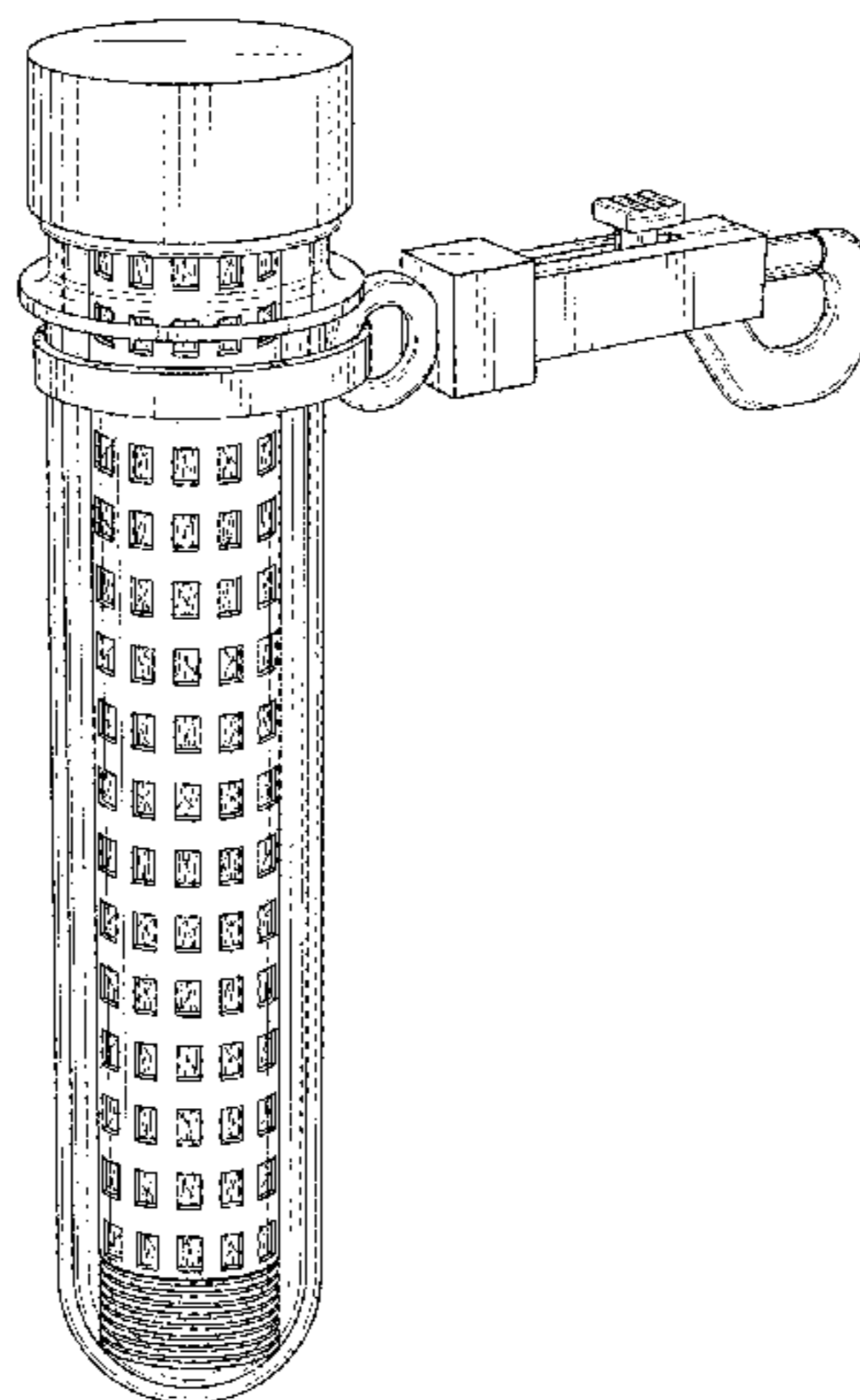
(57) **CLAIM**

The ornamental design for a scent holder, as shown and described.

DESCRIPTION

FIG. 1 is a top, front, right side perspective view of a scent holder showing my new design;
 FIG. 2 is a right side elevational view thereof, a portion of an interior panel is shown broken away to reveal the central fibrous portion;
 FIG. 3 is a left side elevational view thereof;
 FIG. 4 is a rear elevational view thereof;
 FIG. 5 is a front elevational view thereof;
 FIG. 6 is a top plan view thereof;
 FIG. 7 is a bottom plan view thereof;
 FIG. 8 is a top, front, right side perspective view of an alternate scent holder embodiment showing my new design;
 FIG. 9 is a right side elevational view thereof, a portion of an interior panel is shown broken away to reveal the central fibrous portion;
 FIG. 10 is a left side elevational view thereof;
 FIG. 11 is a rear elevational view thereof;
 FIG. 12 is a front elevational view thereof;
 FIG. 13 is a top plan view thereof; and,
 FIG. 14 is a bottom plan view thereof.

1 Claim, 10 Drawing Sheets



(56)

References Cited

U.S. PATENT DOCUMENTS

5,746,019 A * 5/1998 Fisher A01M 31/008
239/145
5,832,648 A * 11/1998 Malone A01M 31/008
239/44
D411,294 S * 6/1999 Gutmann D23/355
6,241,161 B1 * 6/2001 Corbett A01M 31/008
222/187
6,398,127 B1 * 6/2002 Wingo A61L 9/03
239/53
6,648,239 B1 * 11/2003 Myny A01M 31/008
239/34
6,820,363 B1 * 11/2004 Averette, Jr. A01M 31/008
239/44

D507,341 S * 7/2005 Taylor D23/368
D517,184 S * 3/2006 Kleiman D23/366
D532,094 S * 11/2006 Hundertmark D23/366
D535,379 S * 1/2007 Hundertmark D23/366
D578,198 S * 10/2008 Speirs D23/366
D596,696 S 7/2009 Cain D22/125
7,643,735 B1 * 1/2010 Mast A01M 1/2077
222/146.5
D703,804 S * 4/2014 Nuzzi, Jr. D23/366
D726,027 S * 4/2015 Holbrook D9/688
9,050,380 B2 * 6/2015 Malloch A45D 34/02
9,125,396 B1 * 9/2015 Ripka A61L 9/04
9,155,811 B1 * 10/2015 Haymond A61L 9/12
2009/0001191 A1 * 1/2009 Gutovic A44C 1/00
239/36

* cited by examiner

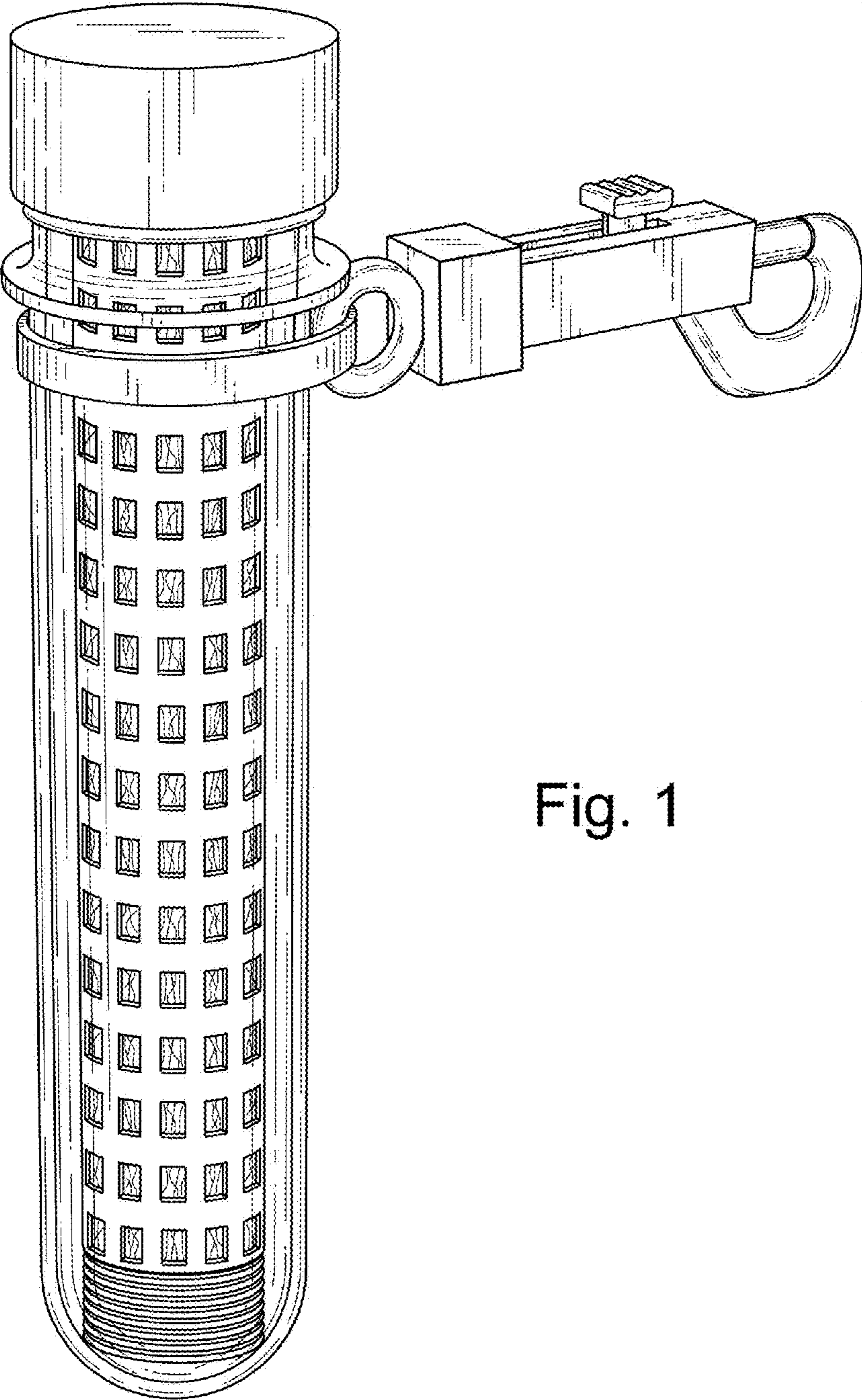


Fig. 1

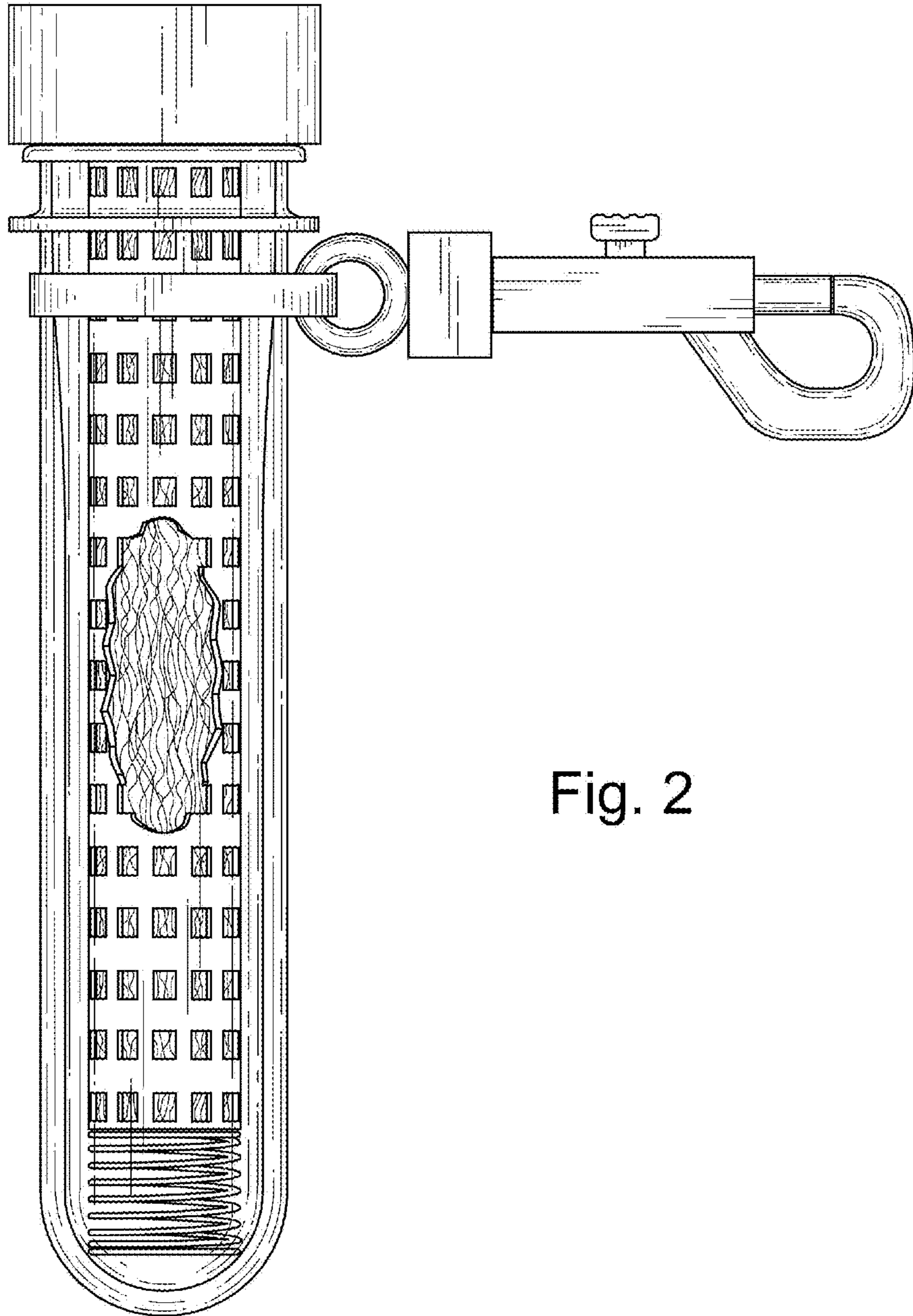


Fig. 2

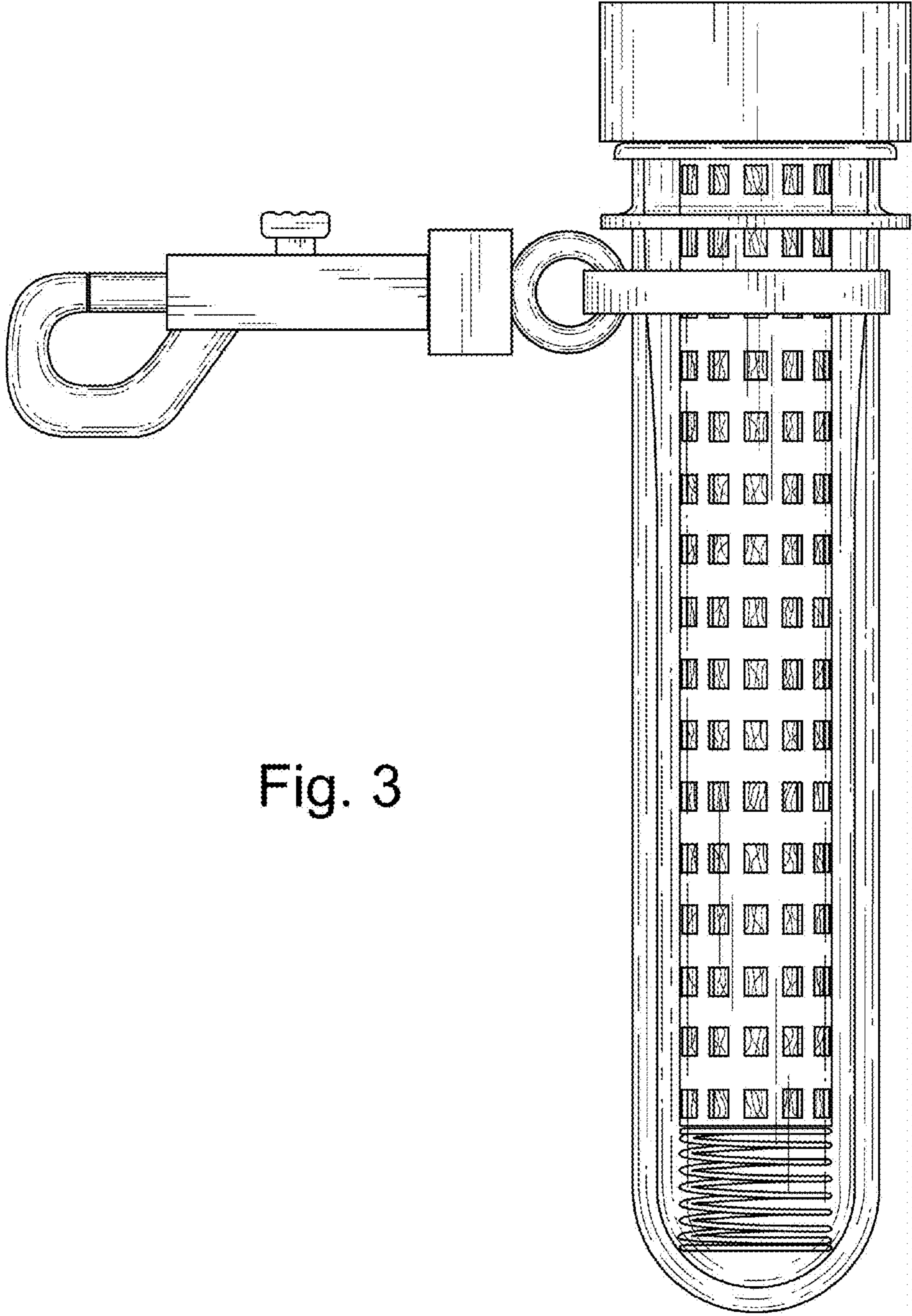


Fig. 3

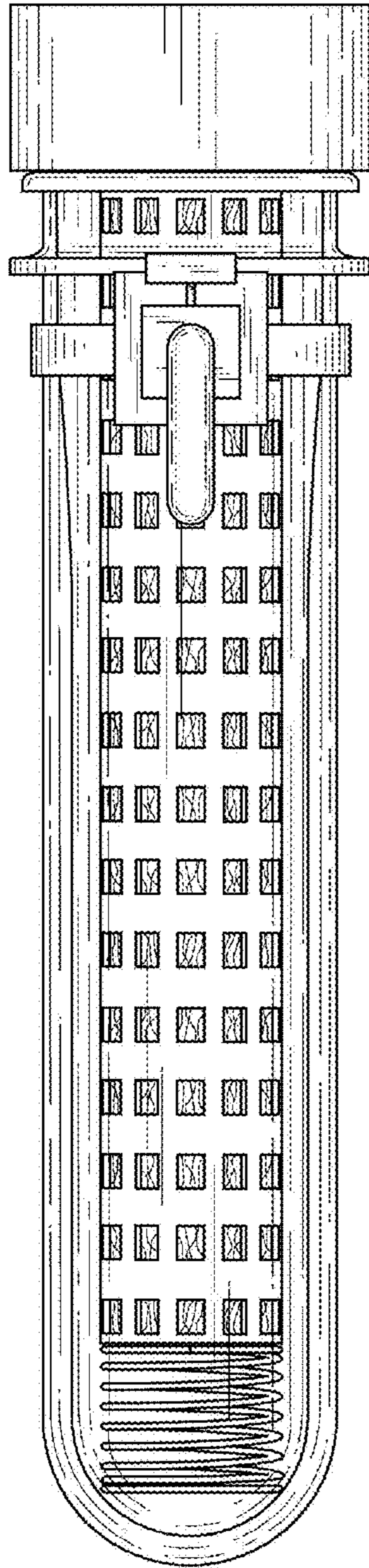


Fig. 4

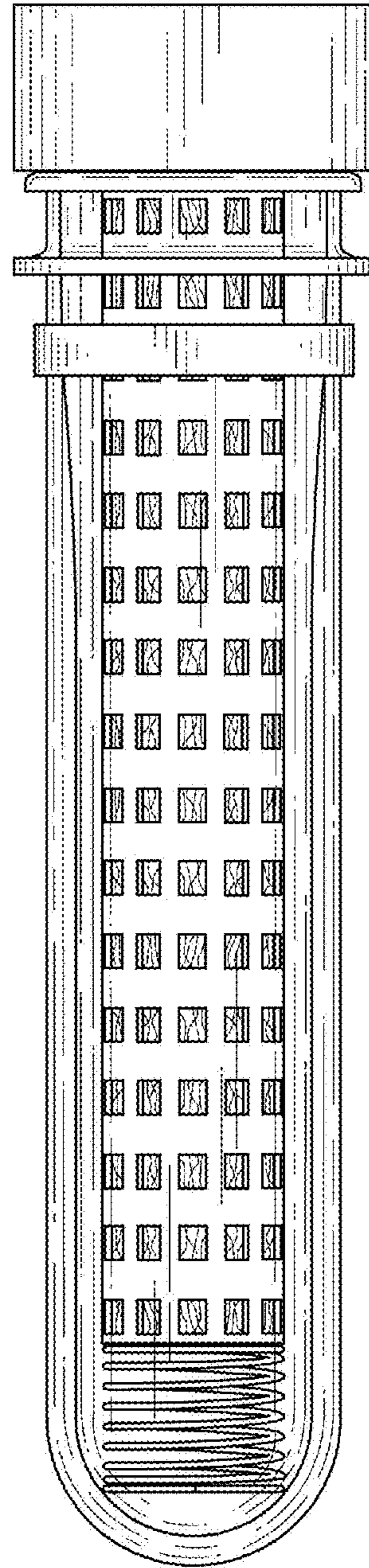


Fig. 5

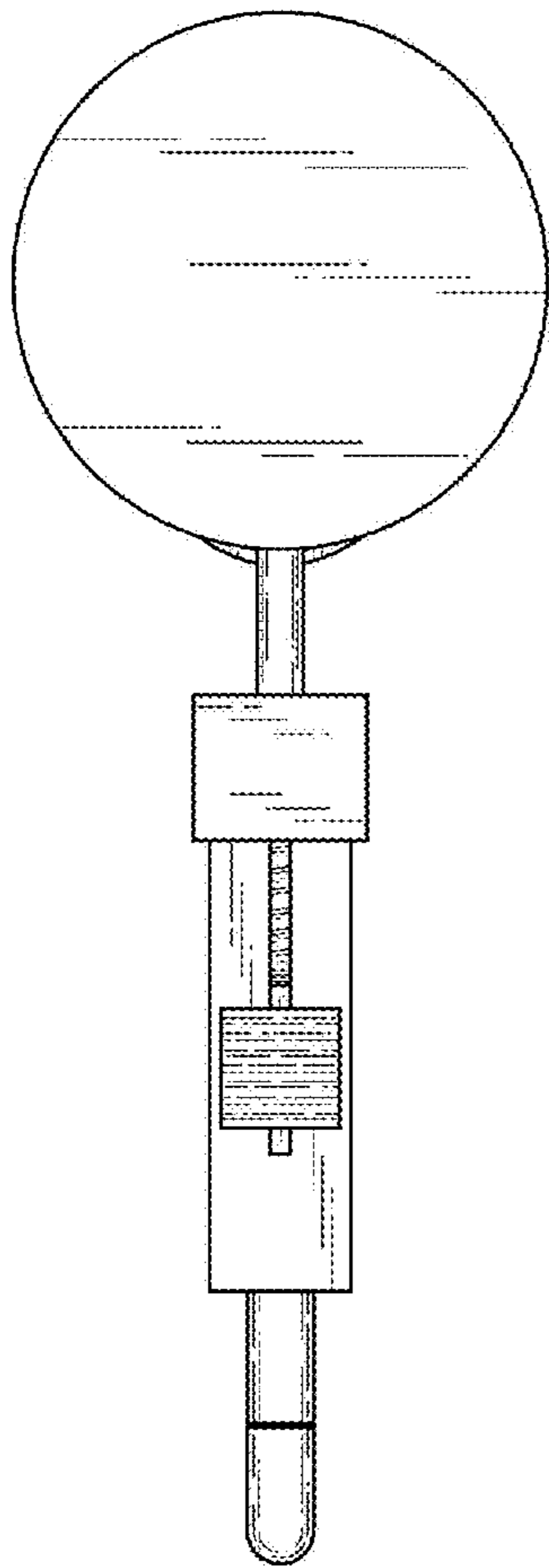


Fig. 6

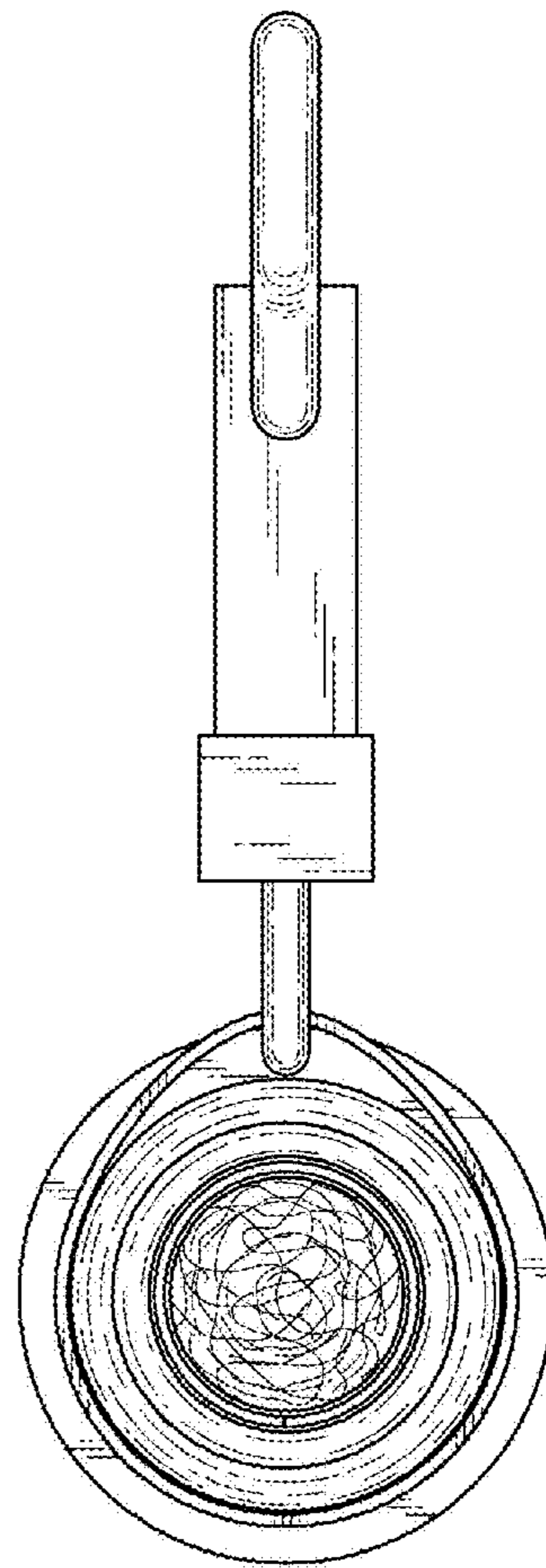


Fig. 7

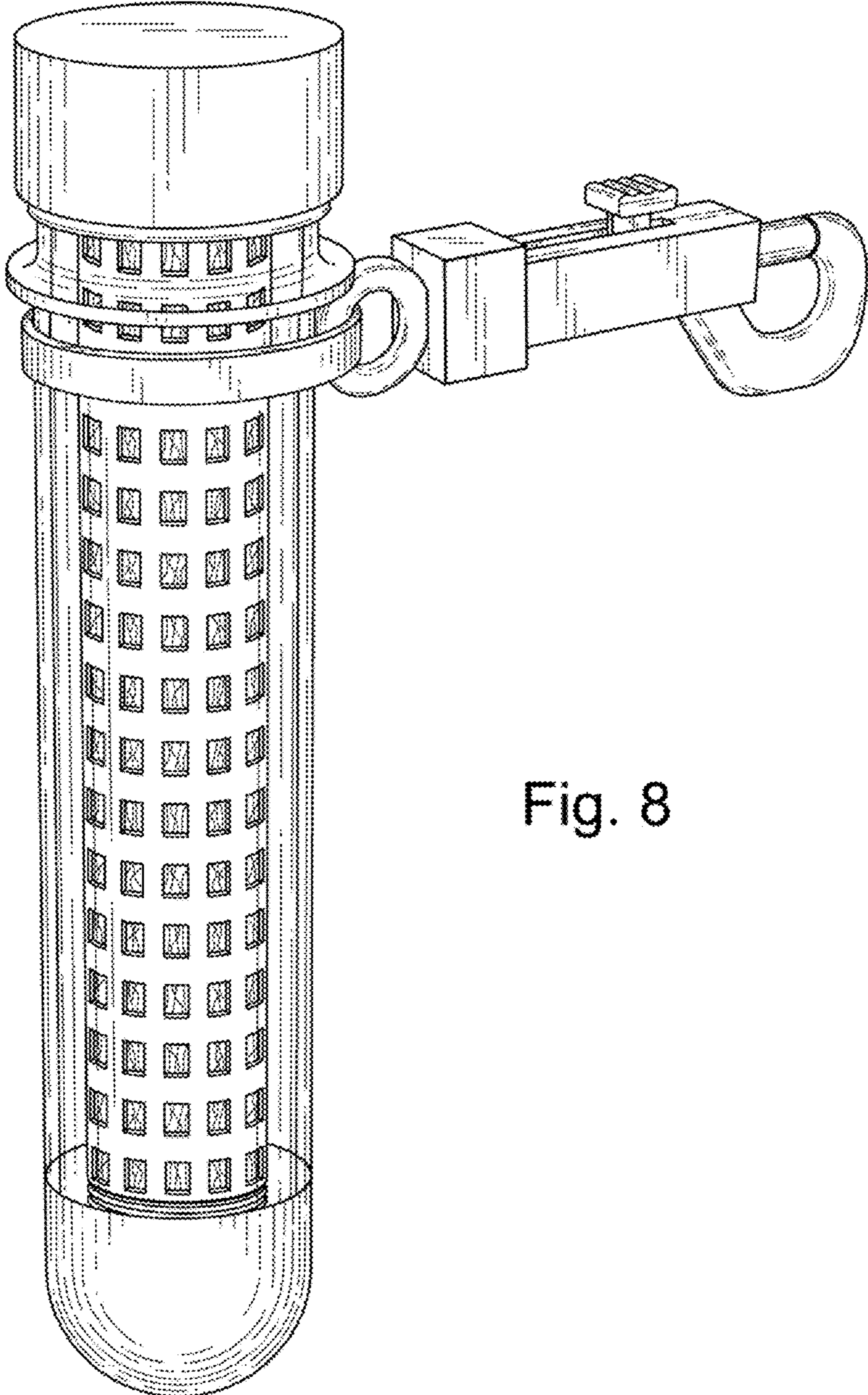


Fig. 8

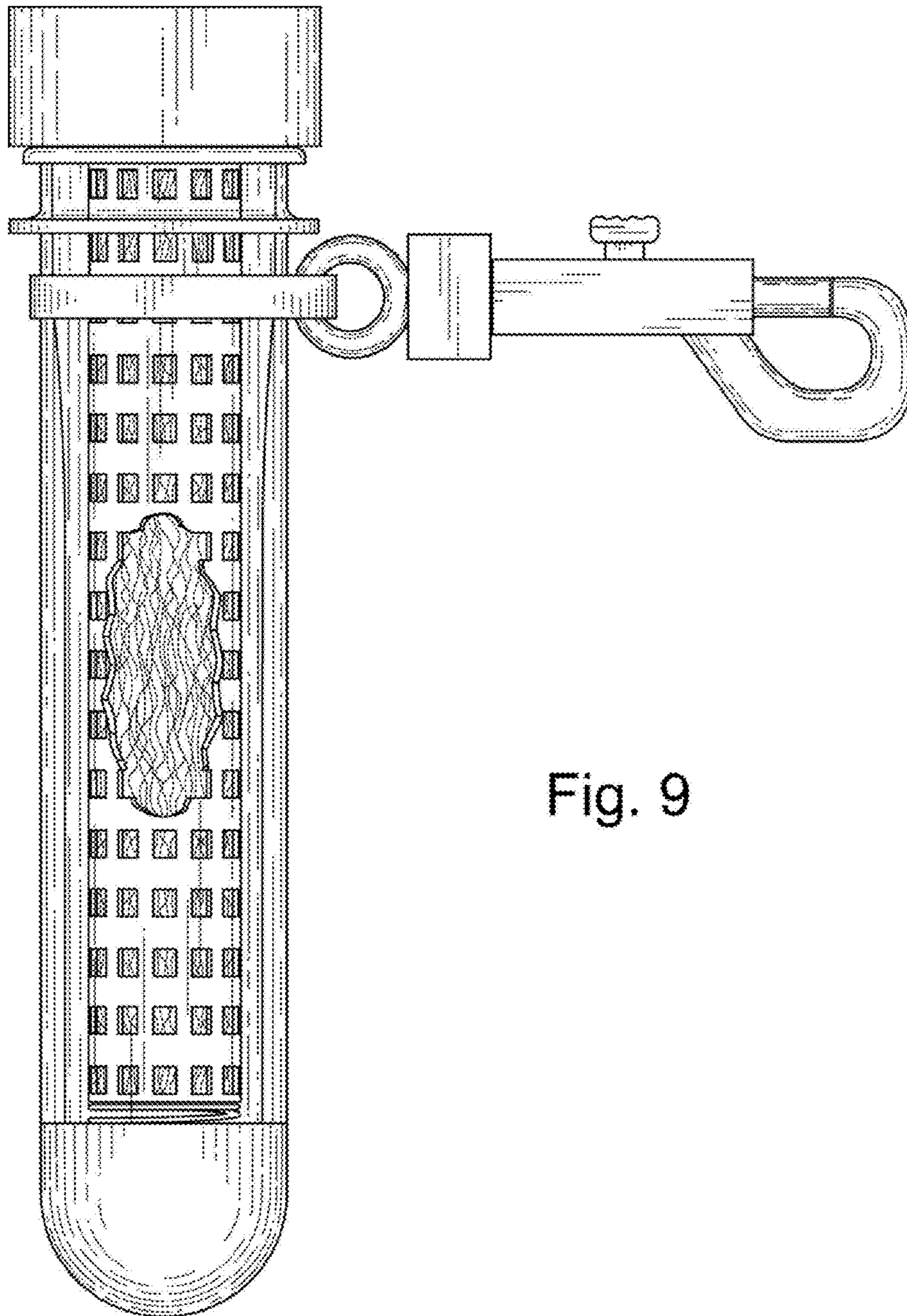


Fig. 9

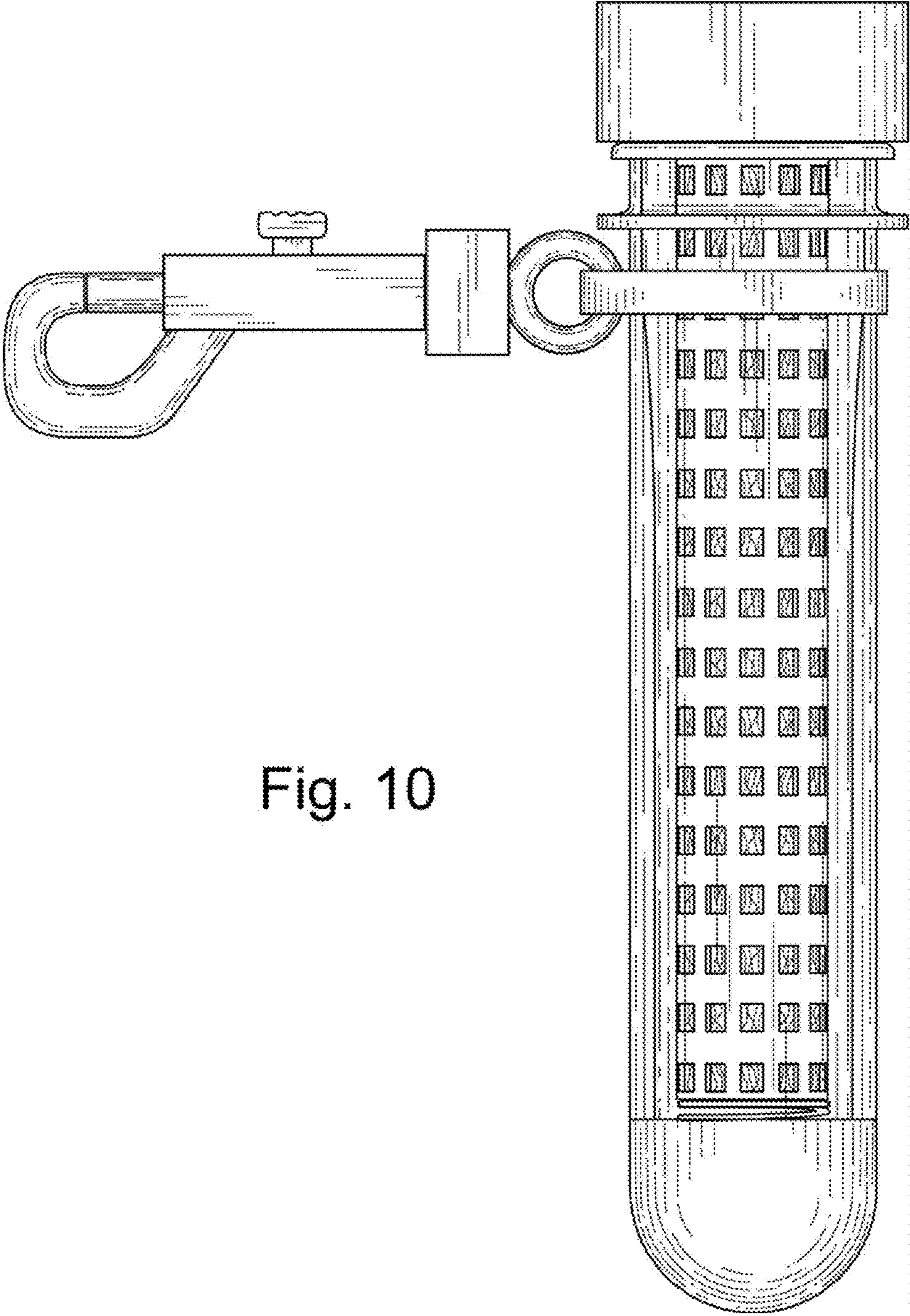


Fig. 10

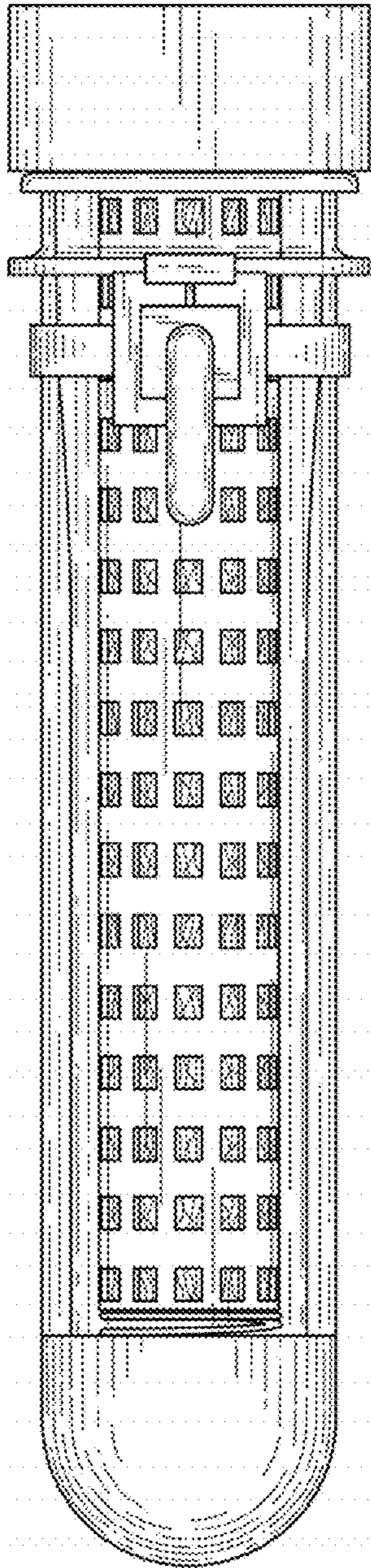


Fig. 11

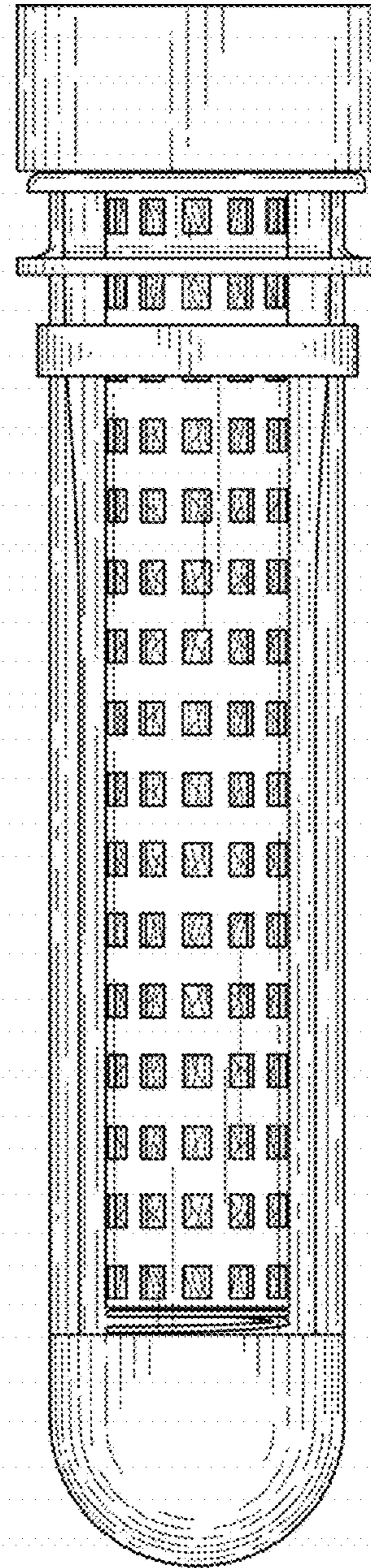


Fig. 12

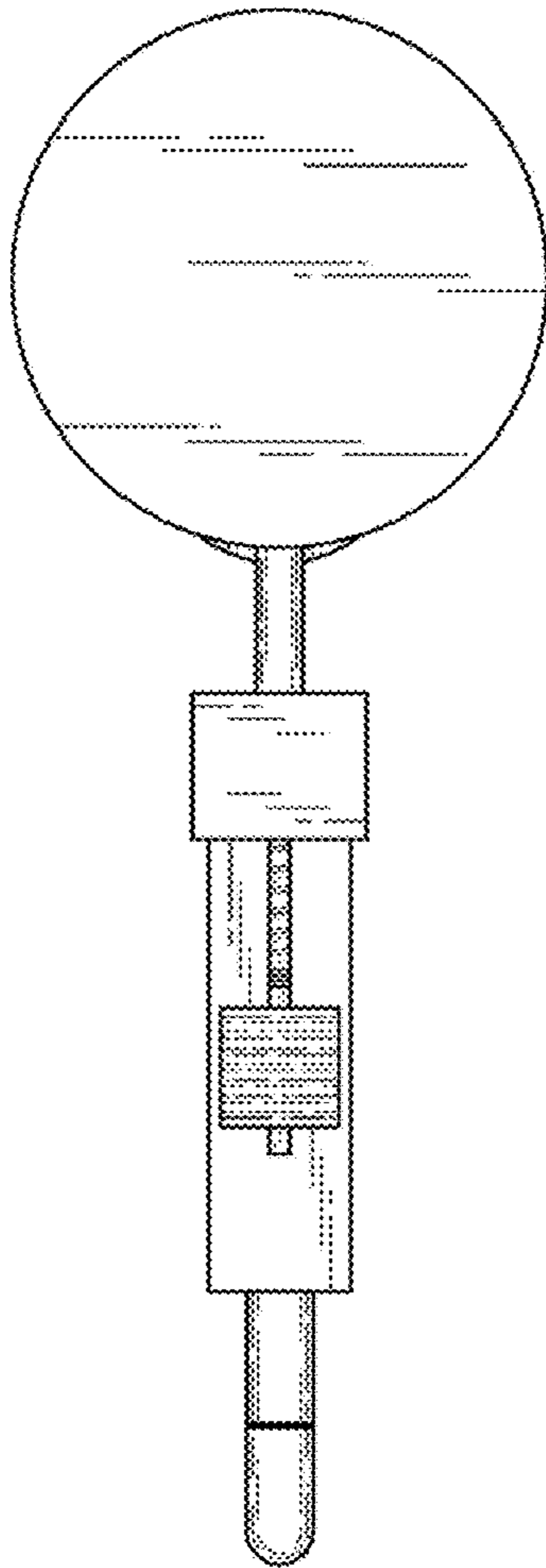


Fig. 13

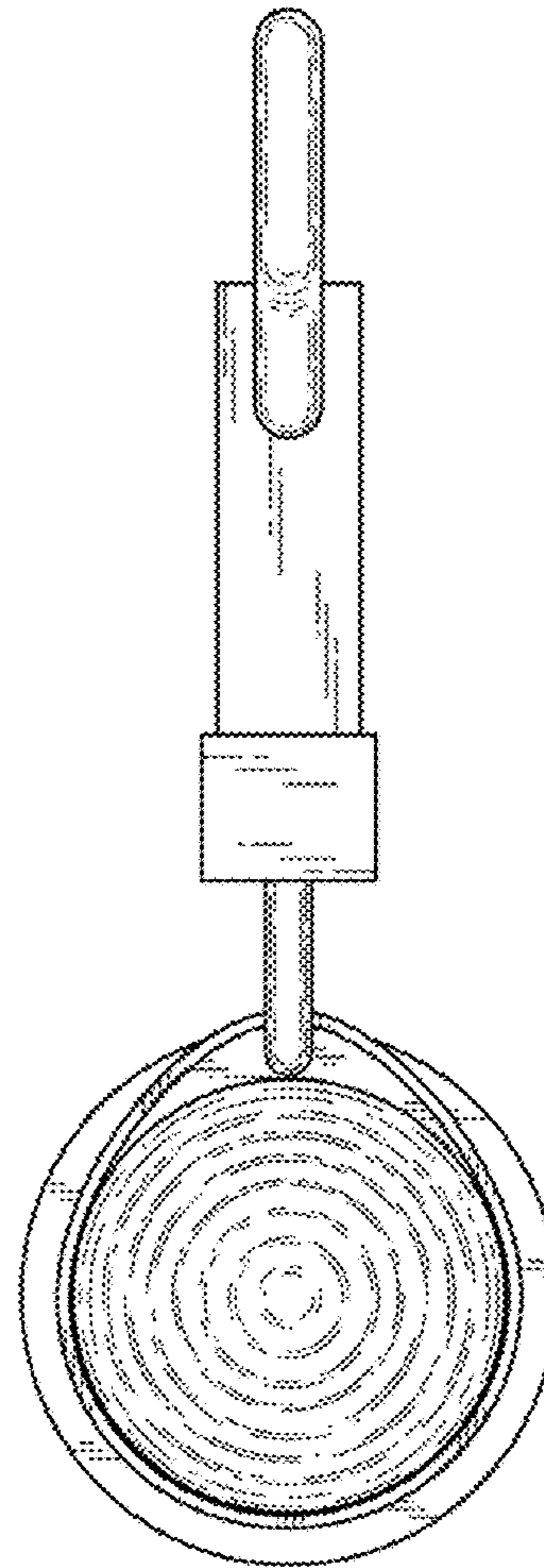


Fig. 14