



US00D761407S

(12) **United States Design Patent**  
**Spear**

(10) **Patent No.:** **US D761,407 S**  
(45) **Date of Patent:** **\*\* Jul. 12, 2016**

- (54) **HIGH EFFICIENCY PARTICULATE AIR FILTER SEAL**
- (71) Applicant: **Lincoln Global, Inc.**, City of Industry, CA (US)
- (72) Inventor: **Theresa M. Spear**, Highland Heights, OH (US)
- (73) Assignee: **Lincoln Global, Inc.**, City of Industry, CA (US)

- 5,693,108 A \* 12/1997 Roome ..... B01D 46/0002 55/493
- D394,901 S \* 6/1998 Governale ..... D23/351
- 5,759,239 A \* 6/1998 Yu ..... B03C 3/155 422/121
- D402,356 S \* 12/1998 Hodge ..... D23/365
- 6,060,689 A 5/2000 Wilson
- D439,963 S \* 4/2001 Gieseke ..... D23/365
- 6,780,217 B1 \* 8/2004 Palmer ..... B01D 39/18 55/385.3
- 7,070,641 B1 \* 7/2006 Gunderson ..... B01D 53/0415 55/497
- D634,413 S \* 3/2011 Wallace ..... D23/354

(\*\*) Term: **14 Years**

(Continued)

- (21) Appl. No.: **29/470,629**
- (22) Filed: **Oct. 23, 2013**
- (51) **LOC (10) Cl.** ..... **23-04**
- (52) **U.S. Cl.**  
USPC ..... **D23/365**
- (58) **Field of Classification Search**  
USPC ..... D23/365, 209, 363, 358, 386, 354, 341, D23/364, 269, 262, 266, 393; 55/385.3, 55/502, 497, 506, 505, 521, 495, 422, 493, 55/DIG. 30, DIG. 26; 210/435, 130, 136, 210/248, 339, 448, 452, 497.1; D32/31; D15/5; 204/298.11, 298.02; 277/602  
CPC .. B01D 46/521; B01D 46/522; B01D 46/523; B01D 46/525; B01D 46/526; B01D 46/527; B01D 46/528; B01D 46/0005; B01D 46/10; B01D 2271/02; F16L 23/16; F16J 15/104; F16J 15/062

**FOREIGN PATENT DOCUMENTS**

- DE 102009056511 A1 6/2011
- EP 1228798 A1 8/2002

(Continued)

**OTHER PUBLICATIONS**

International Search Report with Written Opinion for PCT/IB2014/001598, dated Jan. 7, 2015.

*Primary Examiner* — David Muller  
(74) *Attorney, Agent, or Firm* — Hahn Loeser & Parks LLP

See application file for complete search history.

(57) **CLAIM**  
The ornamental design for a high efficiency particulate air filter seal, as shown and described.

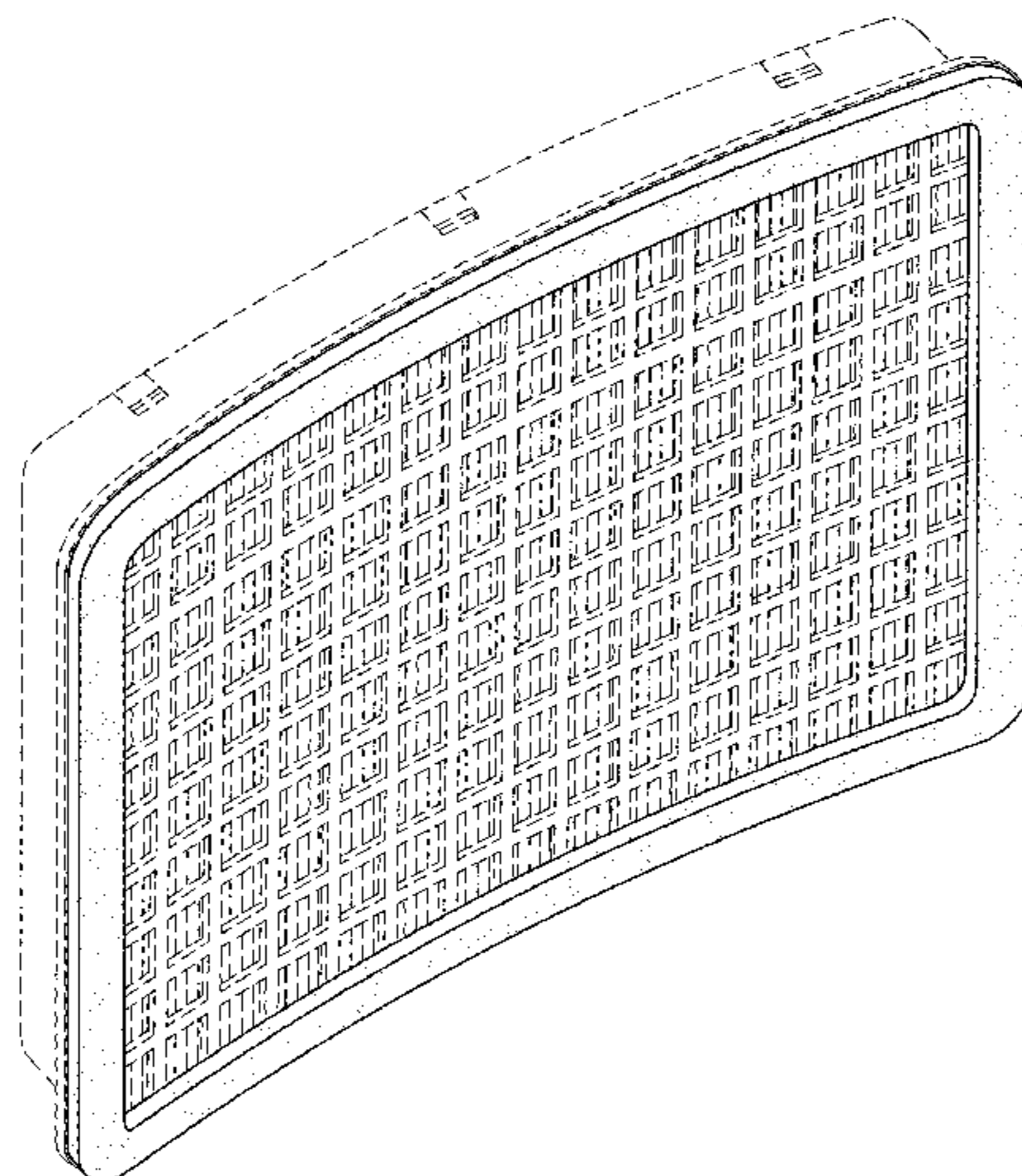
**DESCRIPTION**

FIG. 1 is a top perspective view of the filter seal showing my new design;  
FIG. 2 is a bottom plan view thereof;  
FIG. 3 is a bottom side elevation view thereof;  
FIG. 4 is a top side elevation view thereof;  
FIG. 5 is a right side elevation view thereof; and,  
FIG. 6 is a left side elevation view thereof.  
The broken lines shown are environmental only and form no part of the claimed design.

(56) **References Cited**  
**U.S. PATENT DOCUMENTS**

- 3,740,934 A \* 6/1973 Shuler ..... B01D 46/10 454/284
- D256,943 S \* 9/1980 Angelinetta ..... D23/209
- 5,063,926 A 11/1991 Forsgren
- D377,390 S \* 1/1997 Ketcham ..... D23/328
- 5,618,419 A \* 4/1997 Fuerst ..... A01K 63/045 210/167.25

**1 Claim, 2 Drawing Sheets**



(56)

**References Cited**

U.S. PATENT DOCUMENTS

8,104,094 B2 1/2012 Uttrachi  
8,336,113 B2 12/2012 Uttrachi  
8,603,210 B2\* 12/2013 Champion ..... B01D 46/002  
55/483  
2004/0194441 A1 10/2004 Kirsch  
2012/0260918 A1 10/2012 Sayers et al.

2013/0206139 A1 8/2013 Krepel et al.  
2013/0206806 A1 8/2013 Hu et al.

FOREIGN PATENT DOCUMENTS

EP 1350550 A1 10/2003  
GB 2156232 A 10/1985

\* cited by examiner

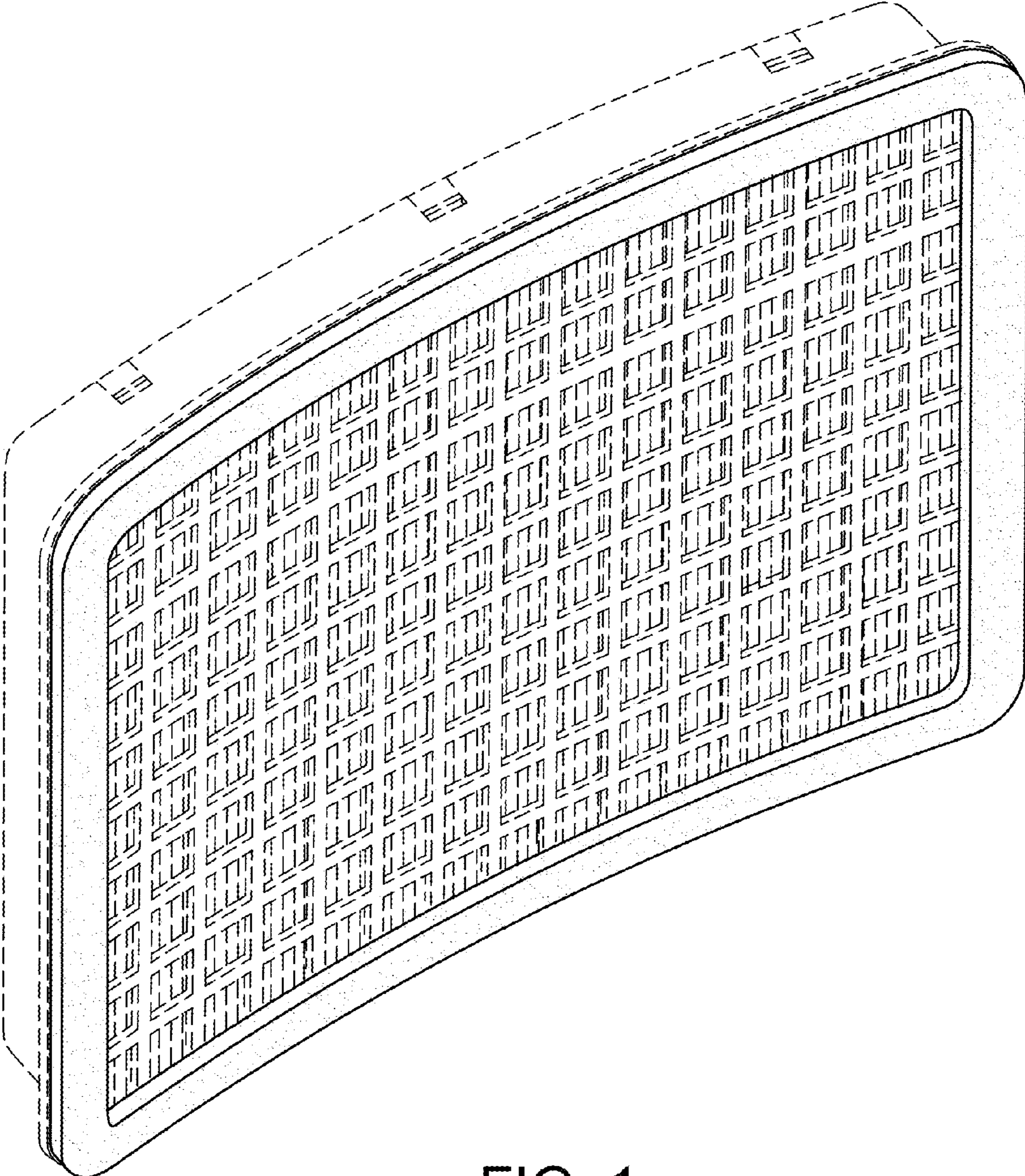


FIG. 1

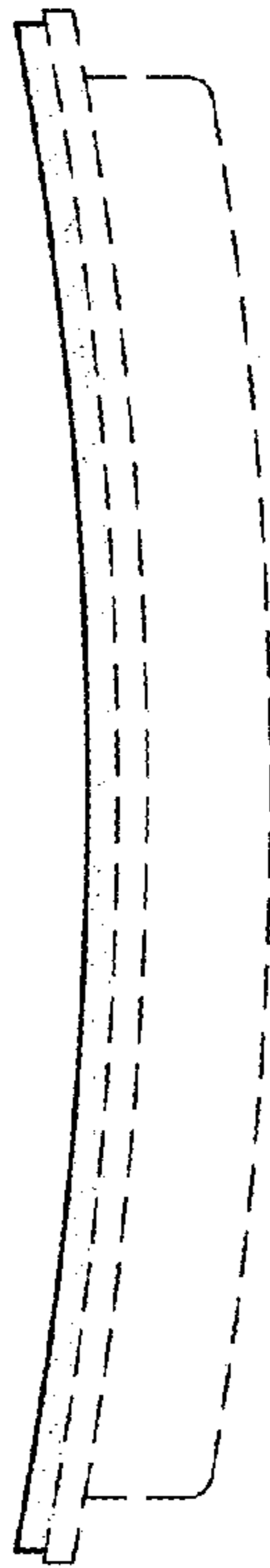


FIG. 4

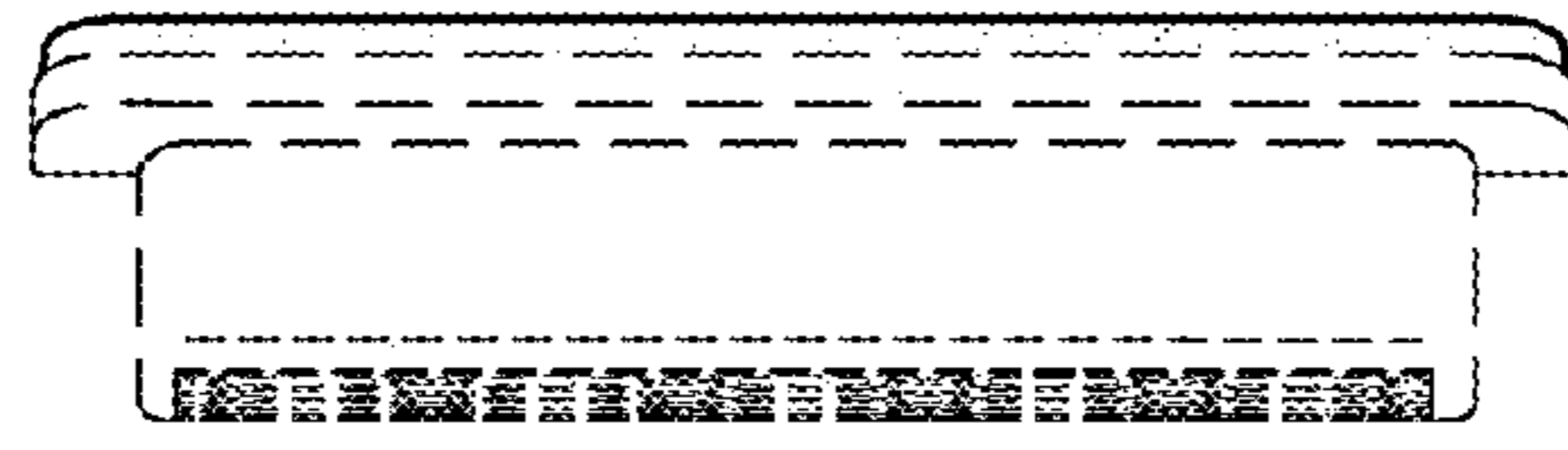


FIG. 5

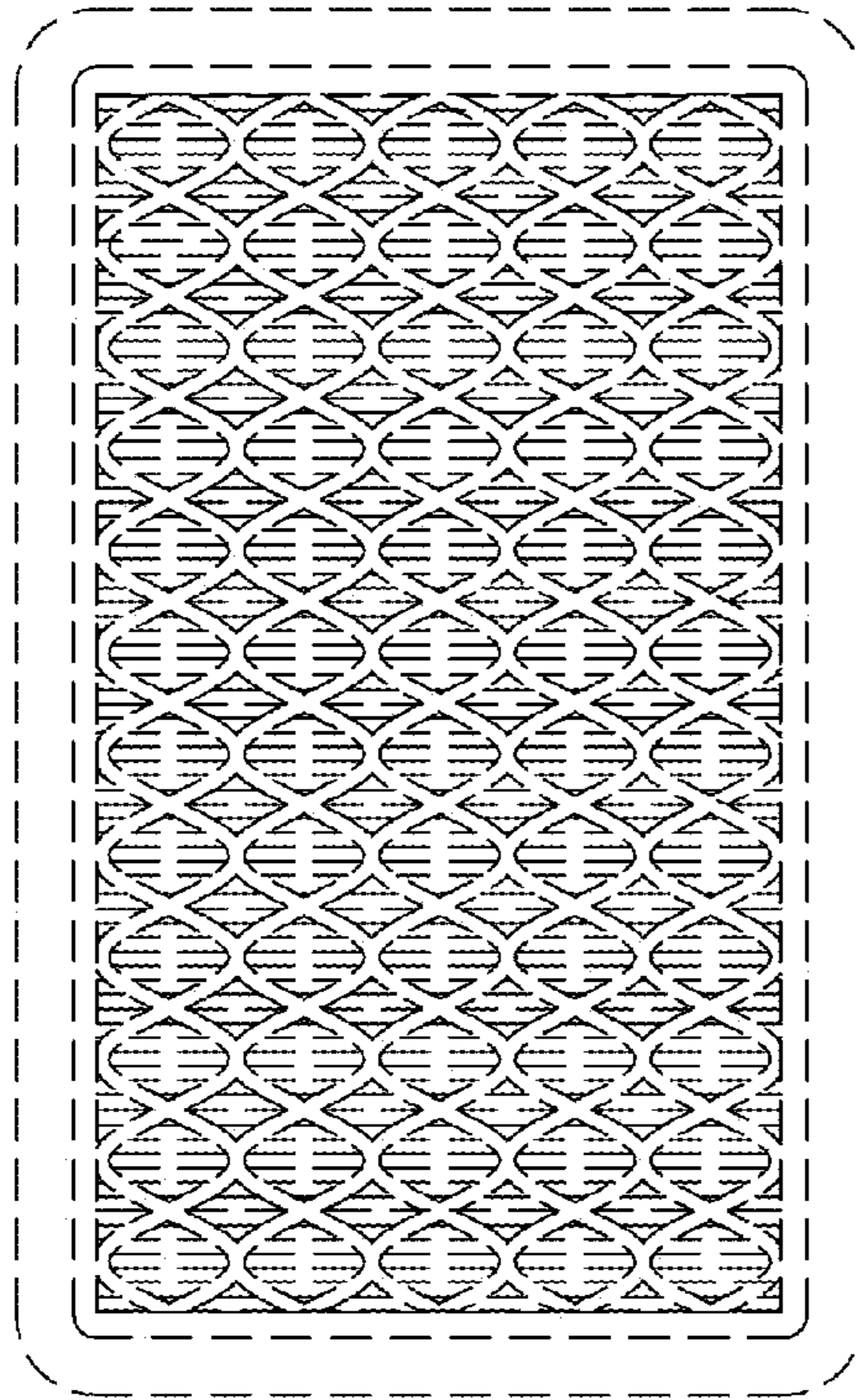


FIG. 2

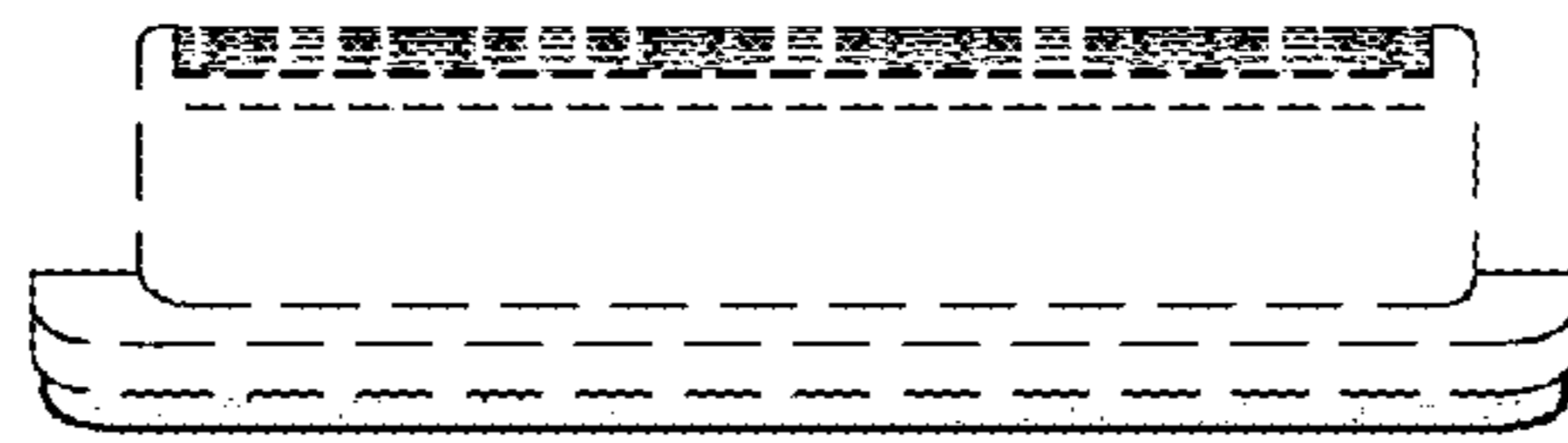


FIG. 6



FIG. 3