

US00D761401S

(12) **United States Design Patent**
Danelon

(10) **Patent No.:** **US D761,401 S**
(45) **Date of Patent:** **** Jul. 12, 2016**

(54) **DROP IN SINK**

(56) **References Cited**

(71) Applicant: **RONBOW CORPORATION**, Fremont,
CA (US)

U.S. PATENT DOCUMENTS

(72) Inventor: **Claudia Danelon**, London (GB)

D385,957 S *	11/1997	Laguera Garza	D23/284
D455,476 S *	4/2002	Ferrer Beltran	D23/292
D562,949 S *	2/2008	Kakahana	D23/293.1
D563,534 S *	3/2008	Kergoet	D23/293.1
D583,029 S *	12/2008	Jiang	D23/293.1
D583,447 S *	12/2008	Jiang	D23/293.1
D588,247 S *	3/2009	Hanna	D23/293.1
D599,449 S *	9/2009	Toyohara	D23/293.1
D601,232 S *	9/2009	Hanna	D23/284
D635,227 S *	3/2011	DuFour	D23/284

(73) Assignee: **Ronbow Corporation**, Fremont, CA
(US)

(**) Term: **15 Years**

* cited by examiner

(21) Appl. No.: **29/548,810**

Primary Examiner — Robert Delehanty

(22) Filed: **Dec. 16, 2015**

(74) *Attorney, Agent, or Firm* — Thomas Schneck

Related U.S. Application Data

(62) Division of application No. 29/515,853, filed on Jan.
27, 2015, now Pat. No. Des. 753,278.

(51) **LOC (10) Cl.** **23-02**

(52) **U.S. Cl.**
USPC **D23/293.1**

(58) **Field of Classification Search**
USPC D23/271–274, 284, 286, 291–293.1,
D23/303, 308
CPC E03C 1/00; E03C 1/01; E03C 1/02;
E03C 1/12; E03C 1/18

See application file for complete search history.

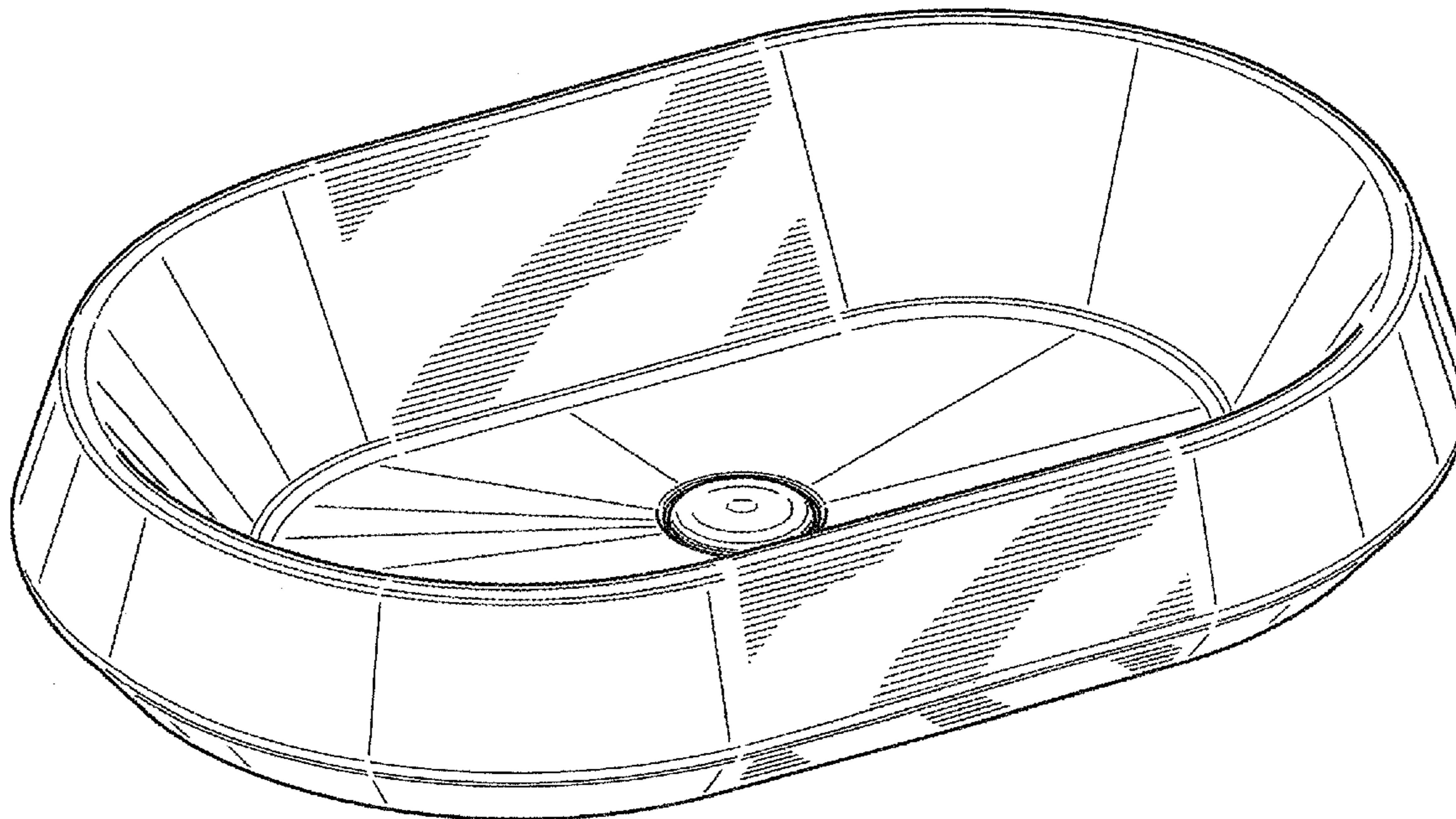
CLAIM

I claim the design for a drop in sink, as shown and described.

DESCRIPTION

FIG. 1 is a top left front perspective view of a drop in sink of my design;
FIG. 2 is a top view thereof, the bottom view being plain, unornamented and unclaimed;
FIG. 3 is a front elevational view thereof, the rear elevational view being identical;
FIG. 4 is a right side elevational view thereof, the left side elevational view being identical; and,
FIG. 5 is a sectional view taken along line 5-5 in FIG. 2, the dashed lines representing unclaimed sectional regions.

1 Claim, 3 Drawing Sheets



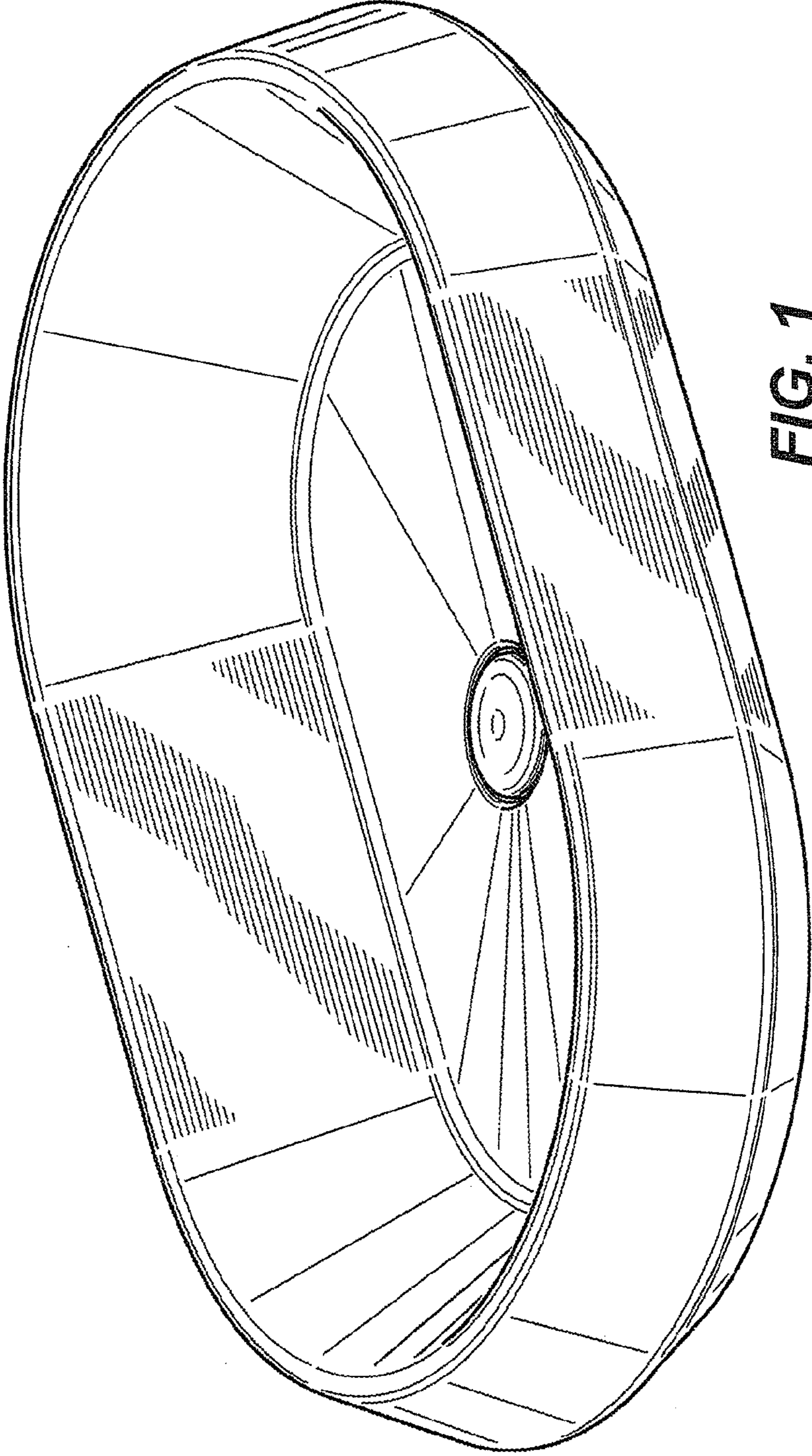


FIG. 1

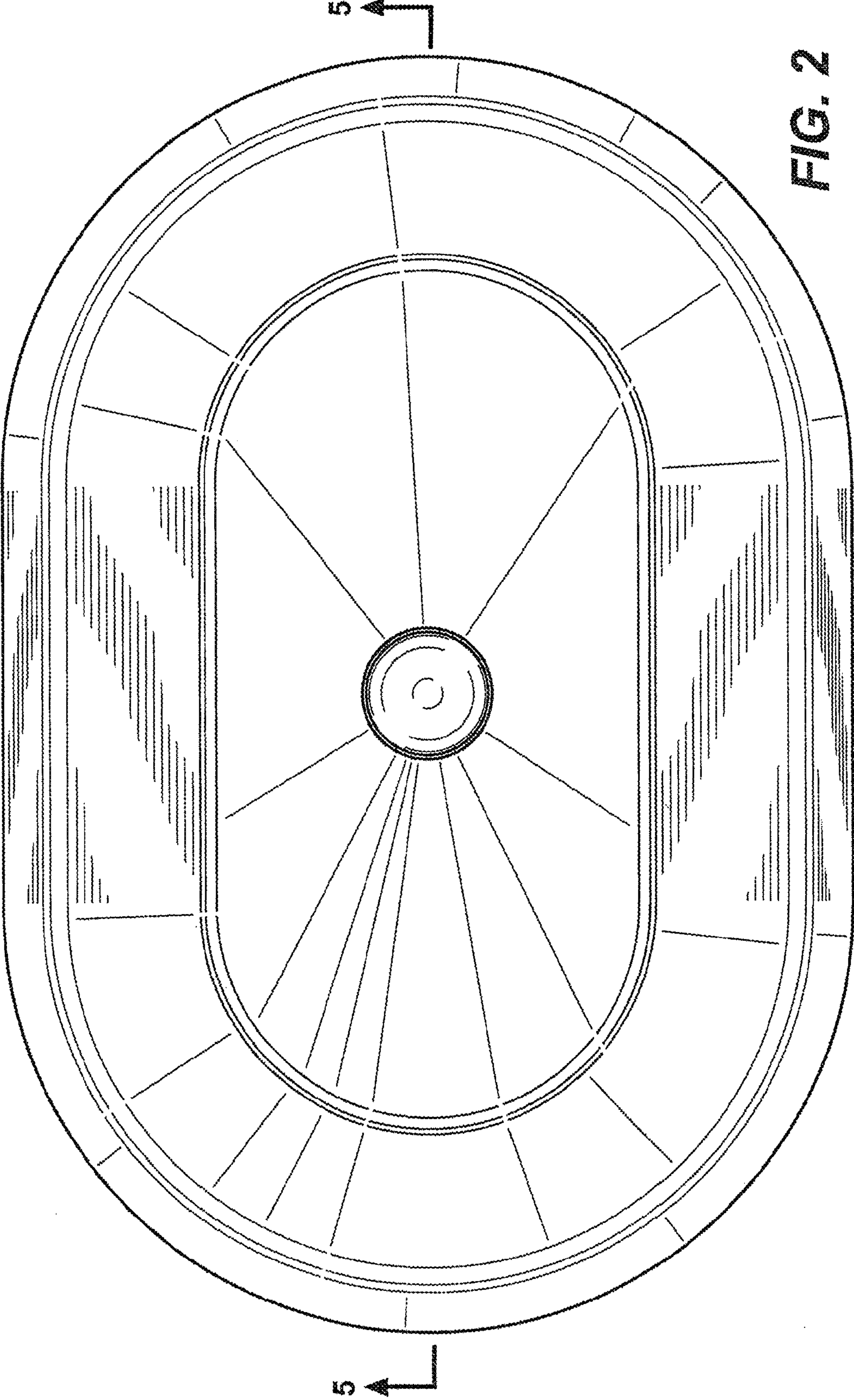


FIG. 2

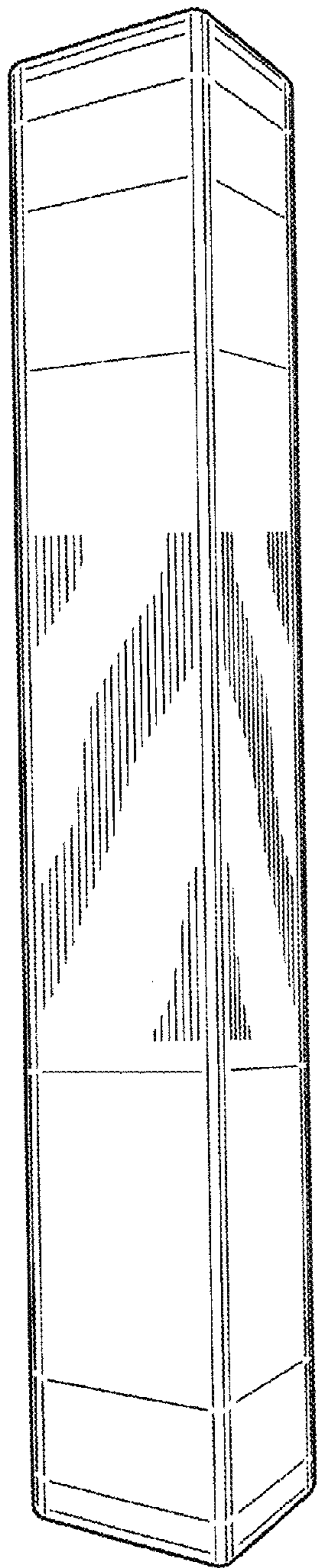


FIG. 3

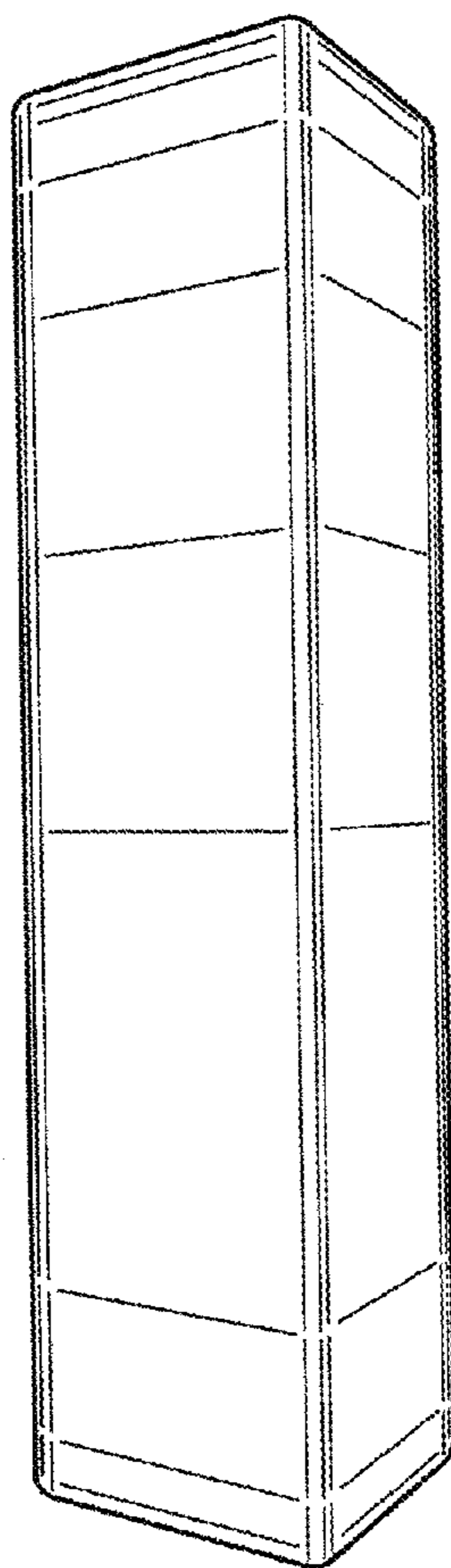


FIG. 4

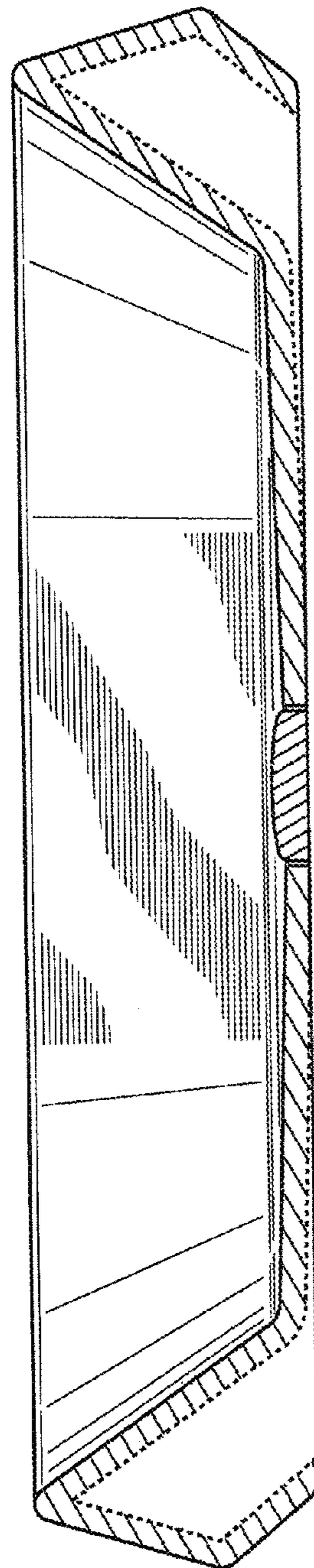


FIG. 5