

US00D761398S

(12) **United States Design Patent**
Murphy

(10) **Patent No.:** **US D761,398 S**
(45) **Date of Patent:** **** Jul. 12, 2016**

- (54) **CONTAINMENT CAPE**
- (71) Applicant: **Robert T. Murphy**, Homer City, PA (US)
- (72) Inventor: **Robert T. Murphy**, Homer City, PA (US)
- (**) Term: **14 Years**
- (21) Appl. No.: **29/505,022**
- (22) Filed: **Apr. 28, 2015**
- (51) **LOC (10) Cl.** **23-01**
- (52) **U.S. Cl.**
USPC **D23/269**
- (58) **Field of Classification Search**
USPC D23/259-269; D13/155; D24/109, 129;
D8/350, 352, 356; D12/607; D9/435,
D9/454, 516
CPC F16L 25/14; F16L 55/115; F16L 55/1152;
F16L 37/54; F16L 27/04; F16L 27/073;
F16L 19/005
See application file for complete search history.

D413,377 S *	8/1999	Pauly	D23/261
D437,034 S *	1/2001	Stout, Jr.	D23/269
D465,061 S *	10/2002	Guthrie	D23/269
D513,072 S *	12/2005	Berg	D23/386
7,140,618 B2 *	11/2006	Valls, Jr.	F16L 21/03 277/603
D616,966 S *	6/2010	Angell	D23/262
D631,142 S *	1/2011	Angell	D23/262
D651,291 S *	12/2011	Liebson	D23/262
D657,848 S *	4/2012	Howson	D23/261
D681,176 S *	4/2013	Chacko	D23/269
D706,908 S *	6/2014	Knapp	D23/269
D733,263 S *	6/2015	Fujii	D23/262
2016/0029853 A1 *	2/2016	Phillips	E03F 5/0408 4/613

* cited by examiner

Primary Examiner — Eric Goodman
Assistant Examiner — Amy Wierenga
(74) *Attorney, Agent, or Firm* — Paul R. Martin

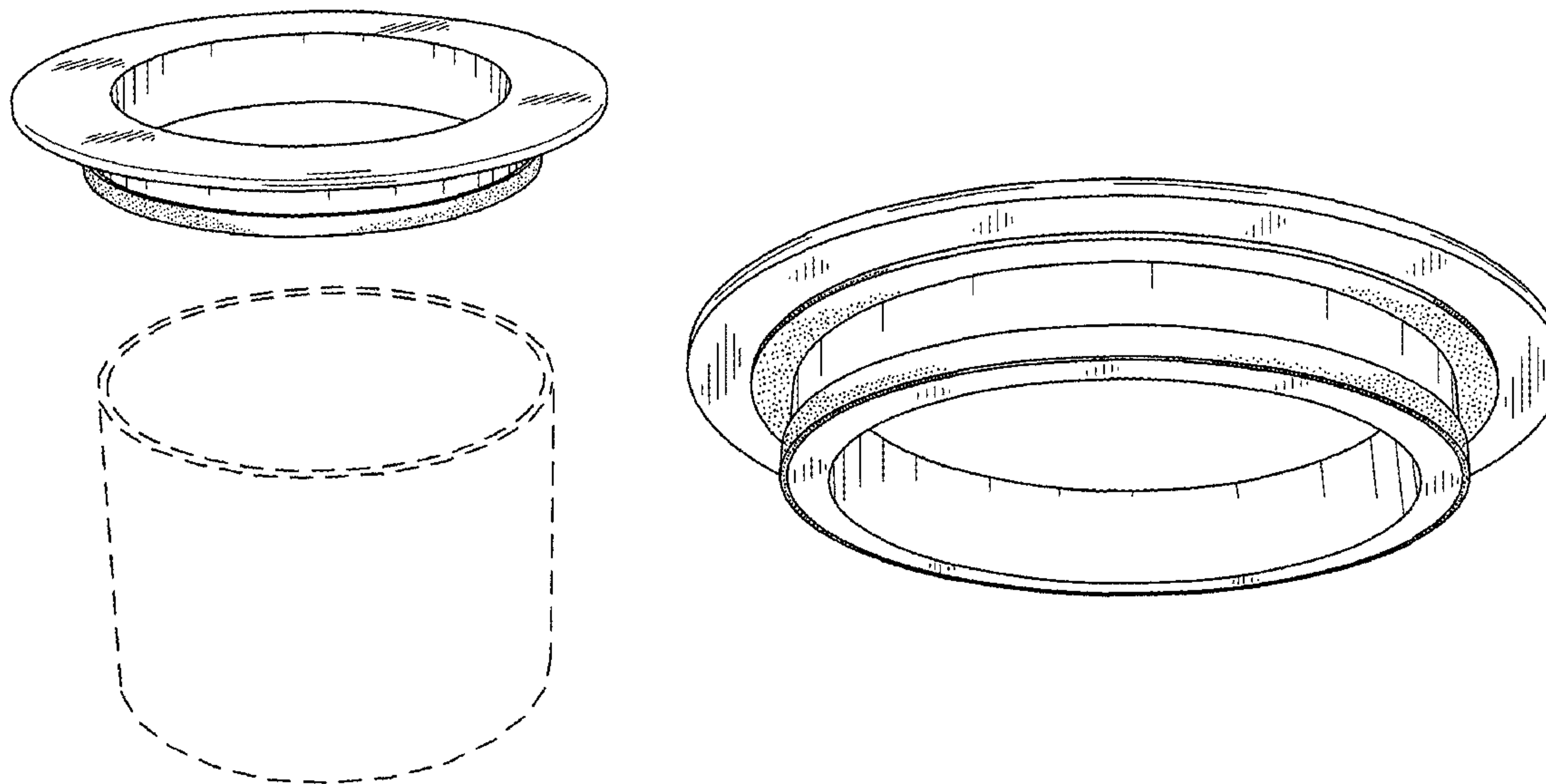
(57) **CLAIM**
The ornamental design for a containment cape, as shown and described.

DESCRIPTION

FIG. 1 is a perspective view from above of the containment cape of my new design showing it being used in connection with a well cellar.
FIG. 2 is a perspective view from the bottom thereof.
FIG. 3 is a bottom plan view thereof.
FIG. 4 is a top plan view thereof; and,
FIG. 5 is a front elevation view, the back and side views being a mirror image thereof.
The broken line showing of a well cellar in FIG. 1 is for the purpose if illustrating environment that forms no part of the claim.

1 Claim, 3 Drawing Sheets

- (56) **References Cited**
U.S. PATENT DOCUMENTS
- | | | | |
|---------------|---------|----------------|----------------------|
| 2,807,498 A | 5/1931 | Teed | |
| 2,532,341 A | 12/1950 | Shannon | |
| 4,622,703 A * | 11/1986 | Cuschera | E03C 1/22
277/606 |
| 5,195,593 A | 3/1993 | Cassin | |
| 5,343,952 A | 9/1994 | Cowan et al. | |
| D360,021 S * | 7/1995 | Sonden | D23/262 |
| 5,562,593 A * | 10/1996 | Sammel | G21F 7/053
312/1 |
| D385,017 S * | 10/1997 | Daroff | D23/261 |
| D385,956 S * | 11/1997 | Doughty | D23/259 |
| D386,246 S * | 11/1997 | Sonden | D23/262 |



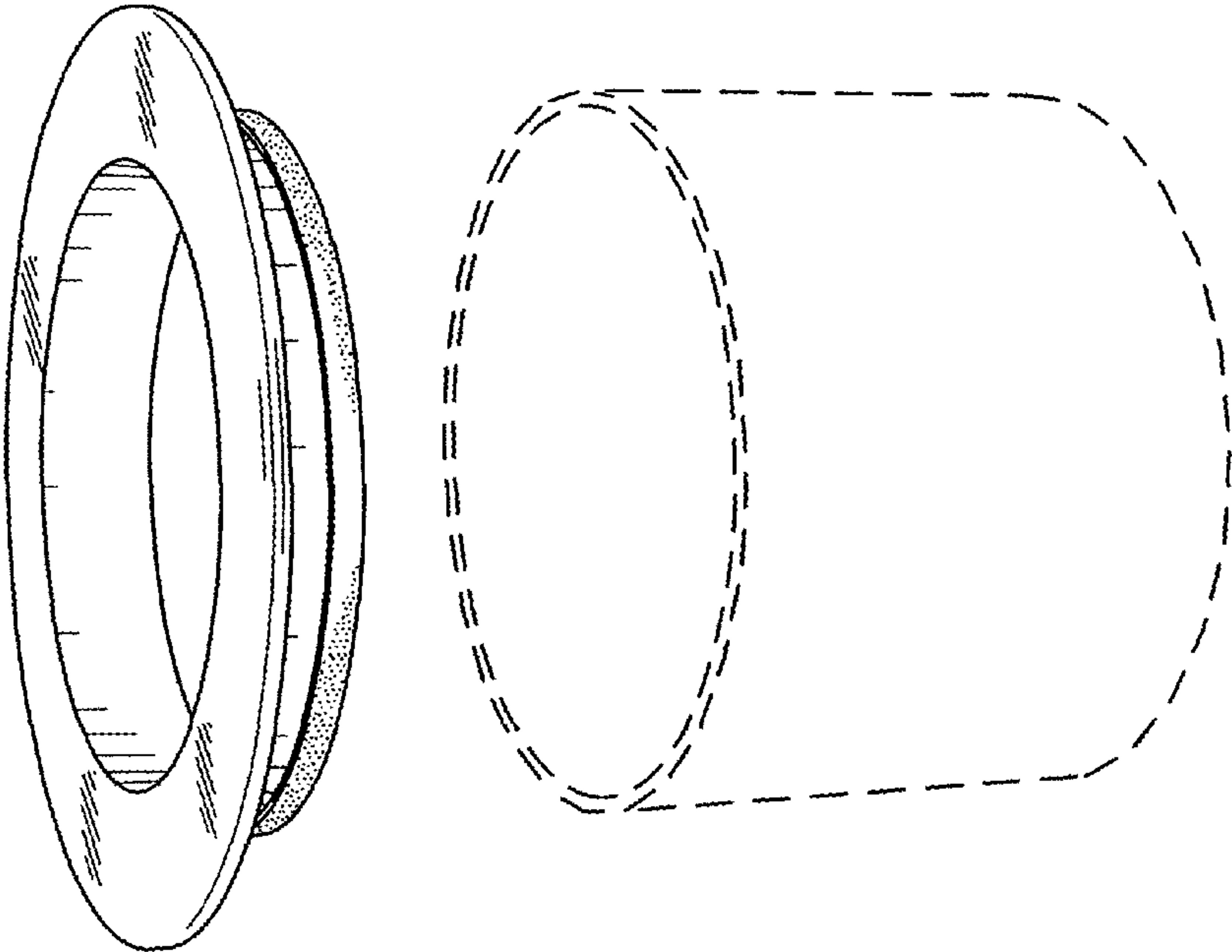


FIG.1

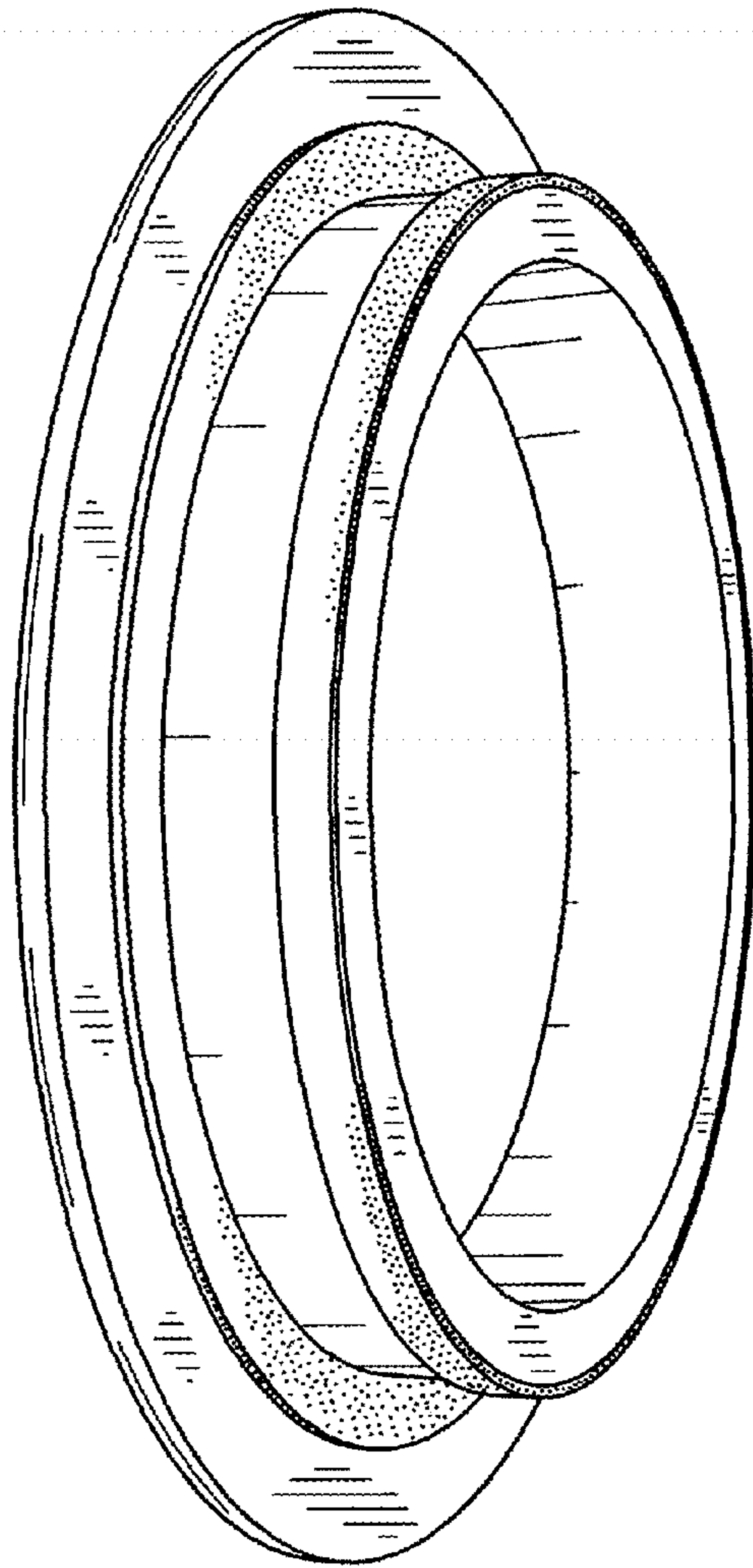


FIG. 2

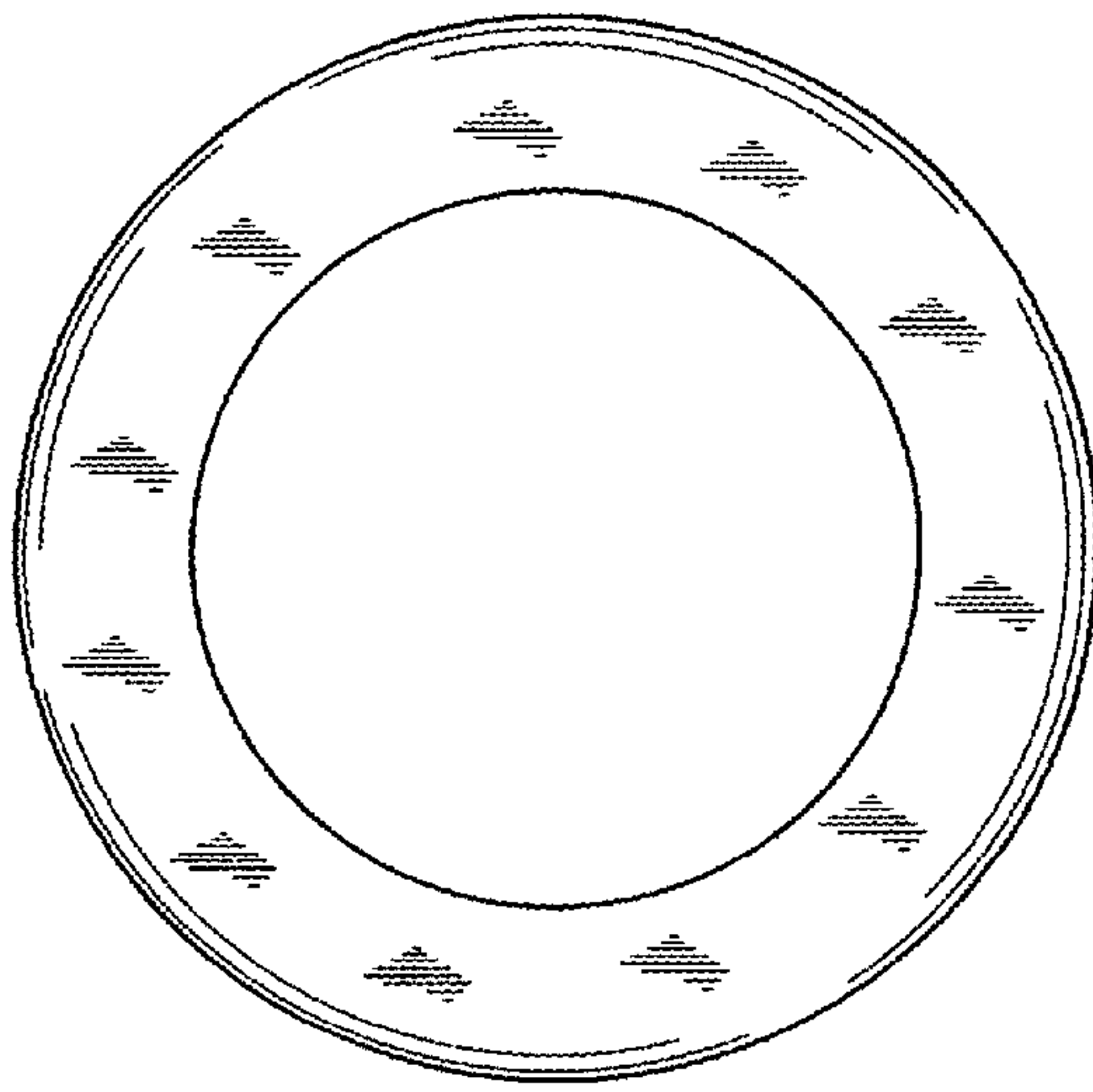


FIG. 4

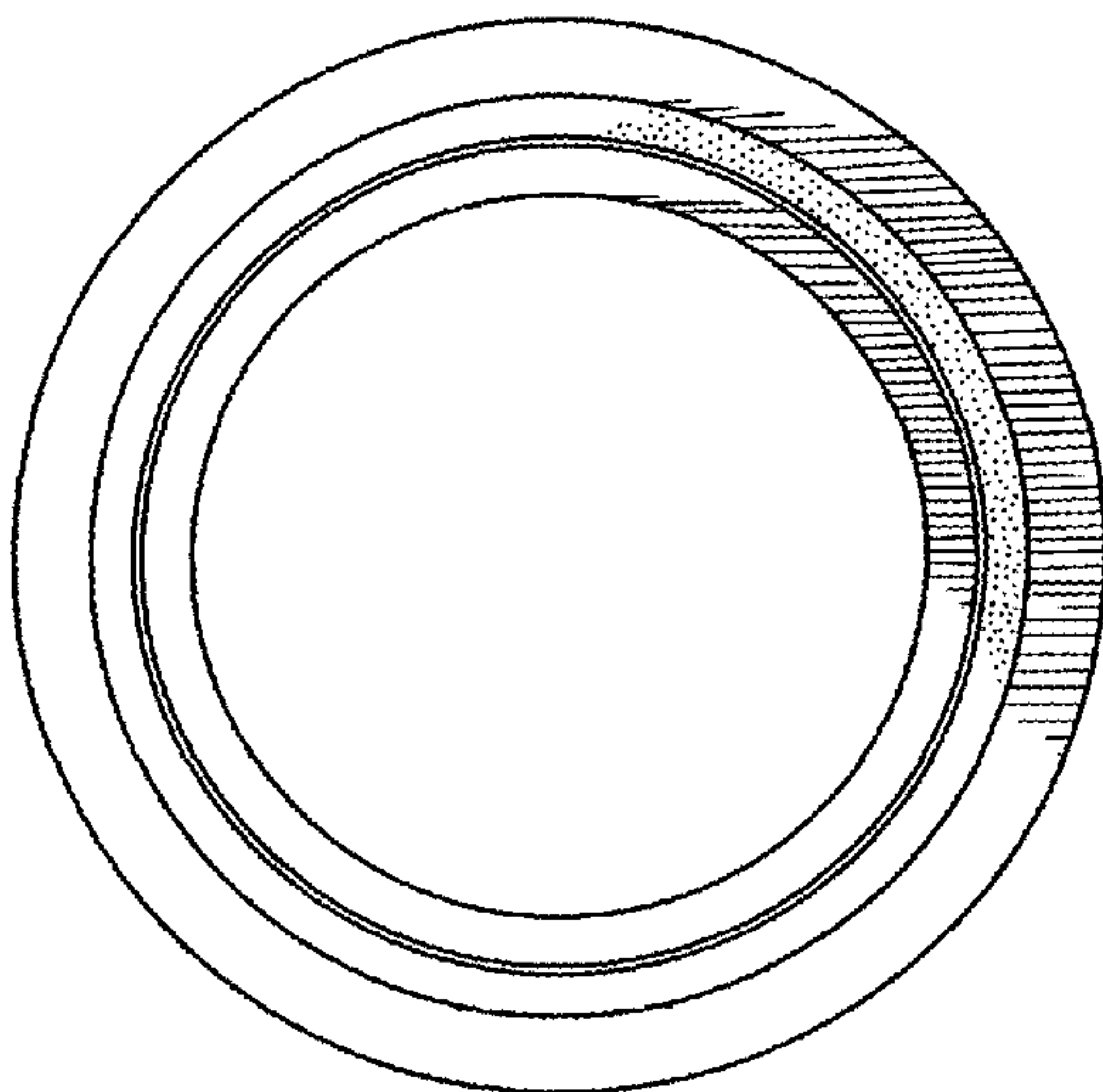


FIG. 3



FIG. 5