

US00D761397S

(12) **United States Design Patent**
DeNooy

(10) **Patent No.:** **US D761,397 S**
(45) **Date of Patent:** **** Jul. 12, 2016**

(54) **UNIVERSAL DOWNSPOUT ADAPTER**

(71) Applicant: **Dennis DeNooy**, Barnes City, IA (US)

(72) Inventor: **Dennis DeNooy**, Barnes City, IA (US)

(**) Term: **14 Years**

(21) Appl. No.: **29/523,316**

(22) Filed: **Apr. 8, 2015**

(51) **LOC (10) Cl.** **23-01**

(52) **U.S. Cl.**

USPC **D23/267**; D23/262

(58) **Field of Classification Search**

USPC D23/259–269, 393

CPC E04D 13/08; E04D 2013/0833; E04D

2013/082; E04D 2013/0866; E04D 2013/086

See application file for complete search history.

(56) **References Cited**

U.S. PATENT DOCUMENTS

D232,553 S *	8/1974	Settle	D23/262
4,247,136 A	1/1981	Fouss et al.	
D280,126 S *	8/1985	Provan	D23/262
D288,230 S *	2/1987	Thatcher	D23/263
D288,840 S *	3/1987	Williams	D23/261
D447,543 S *	9/2001	Quin	D23/259
D447,544 S *	9/2001	Quin	D23/259
D552,219 S *	10/2007	Beutler	D23/267
D552,220 S *	10/2007	Beutler	D23/267
D555,232 S *	11/2007	Beutler	D23/267
8,033,058 B2 *	10/2011	Block	E04D 13/08
			210/162
D658,831 S *	5/2012	Robinson	D32/25
D671,624 S *	11/2012	Harman	D23/267
D745,115 S *	12/2015	Kuang	D23/261

2012/0068452 A1 *	3/2012	Boettner	E03F 1/002
			285/45
2014/0115998 A1 *	5/2014	Horgan	E04D 13/08
			52/741.1
2014/0117661 A1 *	5/2014	Harman	E04D 13/08
			285/179

OTHER PUBLICATIONS

Prinsco, Inc., Internal Snap Coupler, <http://www.prinsco.com/prinsco-markets/fittings-accessories/internal-snap-coupler-civil-commercial-construction/> (last visited May 29, 2015), 1 page.

Prinsco, Inc., Downspout Adapter, <http://www.prinsco.com/prinsco-markets/fittings-accessories/downspout-adapter-civil-commercial-construction/> (last visited May 29, 2015), 1 page.

Prinsco, Inc., 4" Proform Crossover Adapter, <http://www.prinsco.com/prinsco-markets/fittings-accessories/4-proform-crossover-adapter-residential-commercial-construction/> (last visited May 29, 2015), 1 page.

* cited by examiner

Primary Examiner — Eric Goodman

Assistant Examiner — Amy Wierenga

(74) *Attorney, Agent, or Firm* — McKee, Voorhees & Sease, PLC

(57) **CLAIM**

I claim the ornamental design for a universal downspout adapter, substantially as shown and described.

DESCRIPTION

FIG. 1 is a top perspective view of a universal downspout adapter showing my new design;

FIG. 2 is a bottom perspective view thereof;

FIG. 3 is a front elevation view thereof;

FIG. 4 is a rear elevation view thereof;

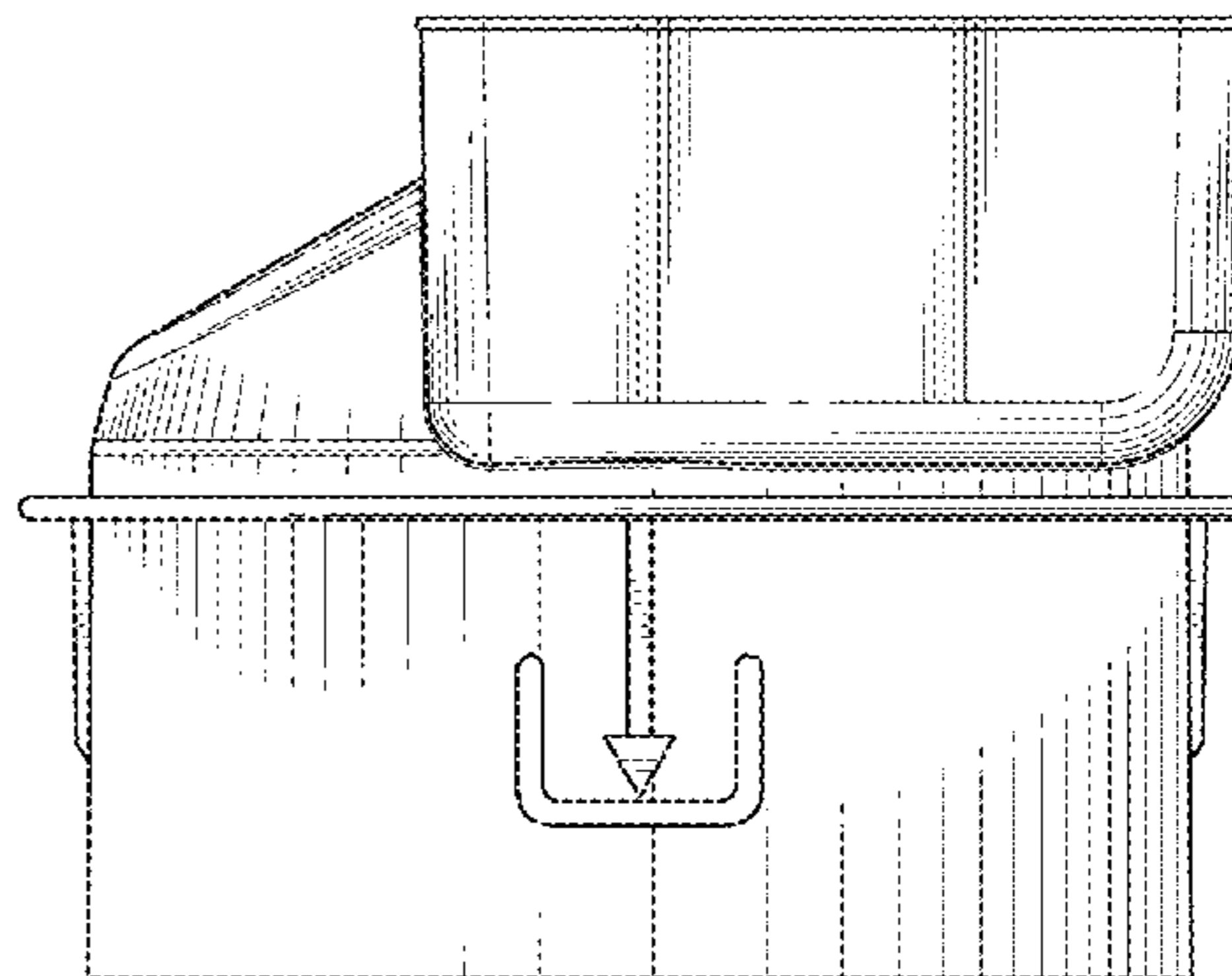
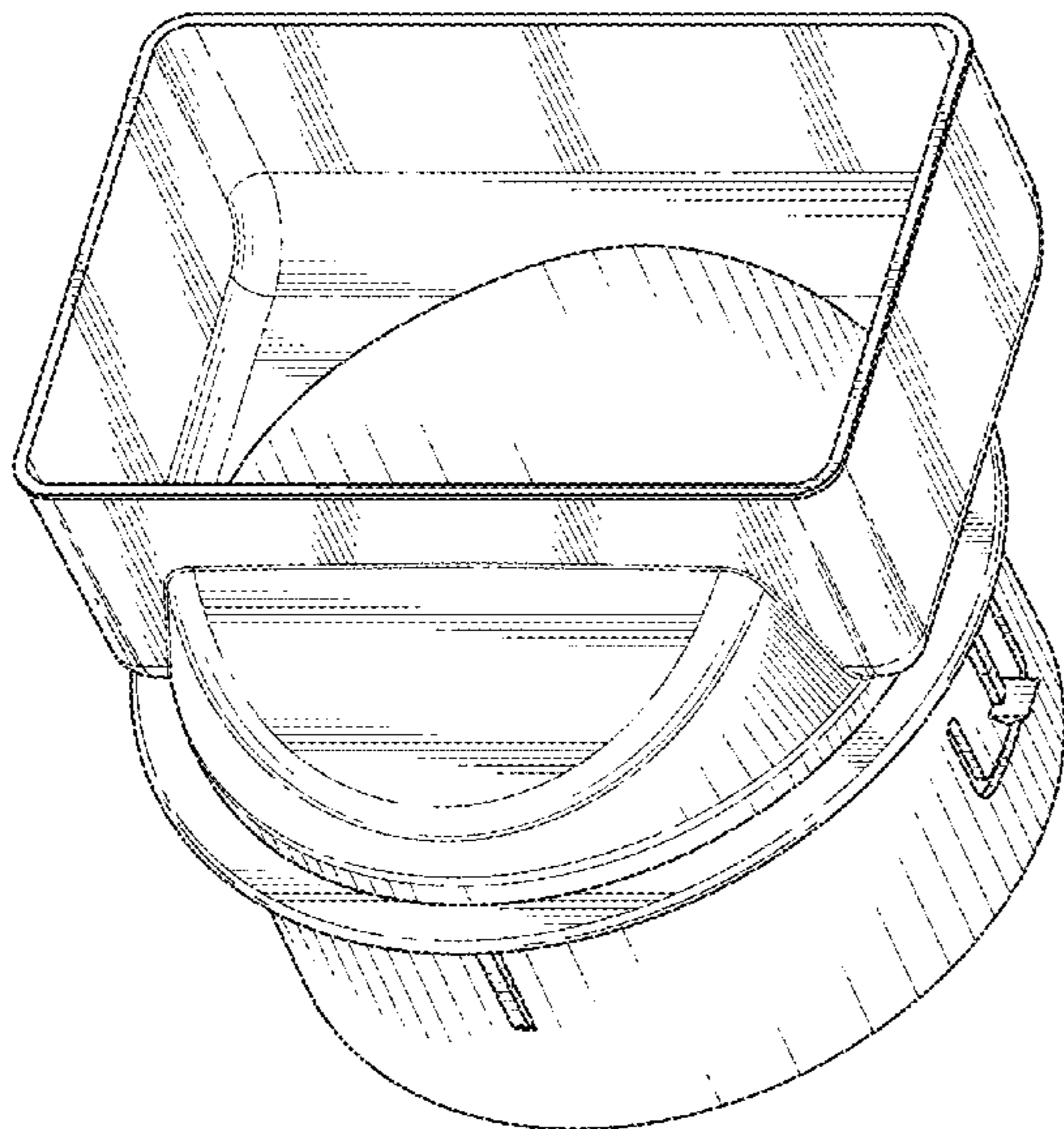
FIG. 5 is side elevation view thereof;

FIG. 6 is a top plan view thereof; and,

FIG. 7 is a bottom plan view.

The side elevation views are mirror images of one another.

1 Claim, 4 Drawing Sheets



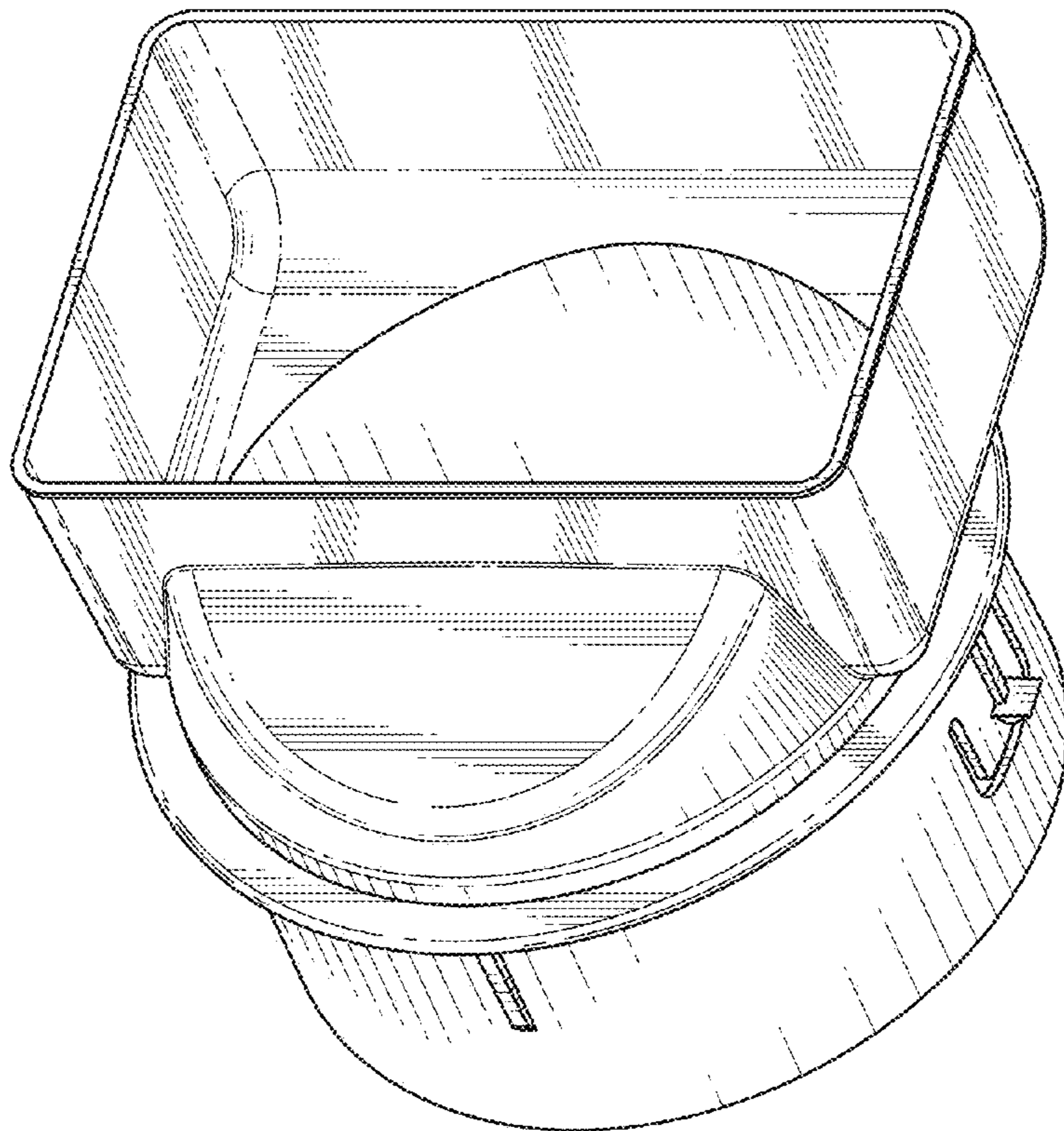


FIG. 1

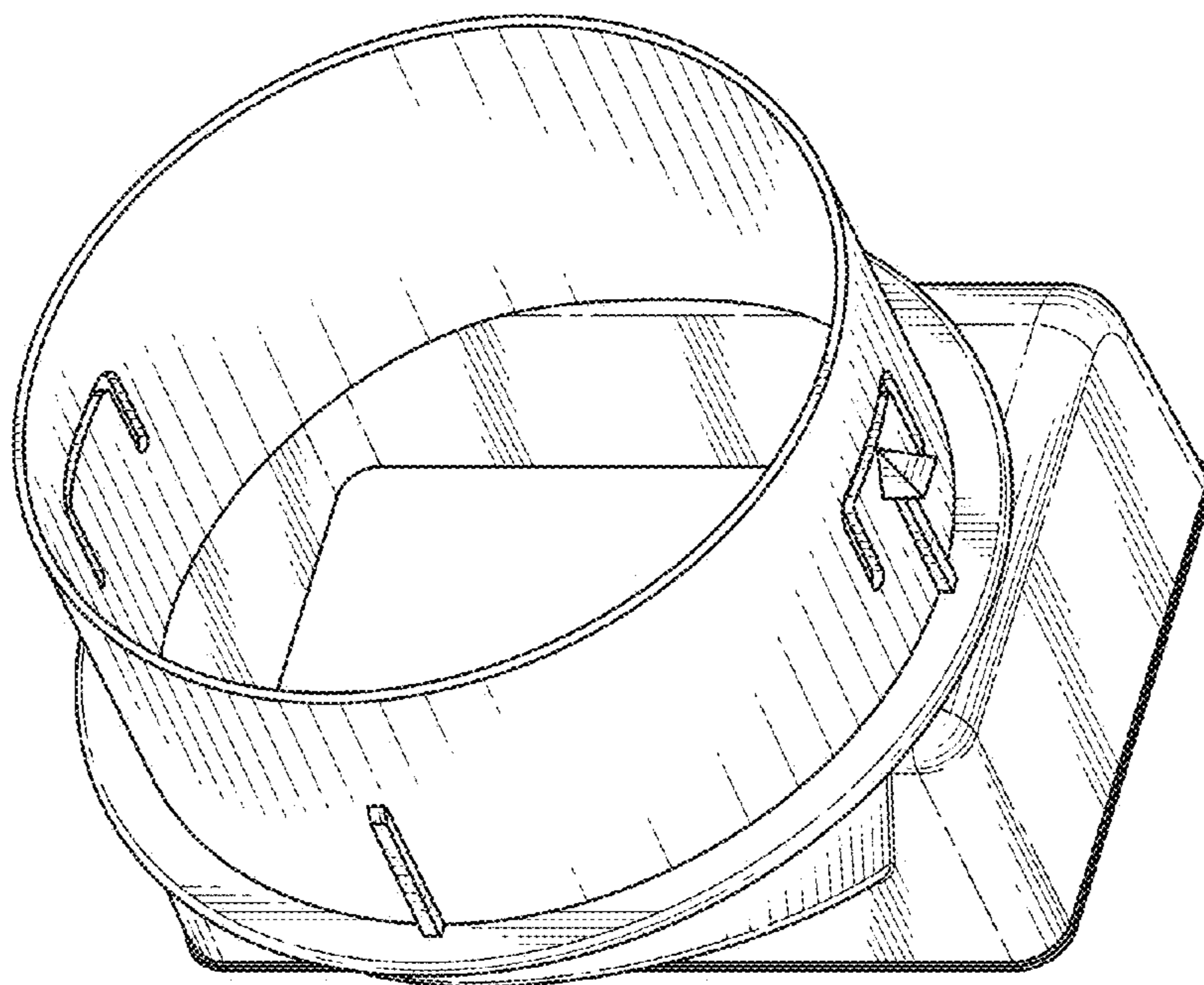


FIG. 2

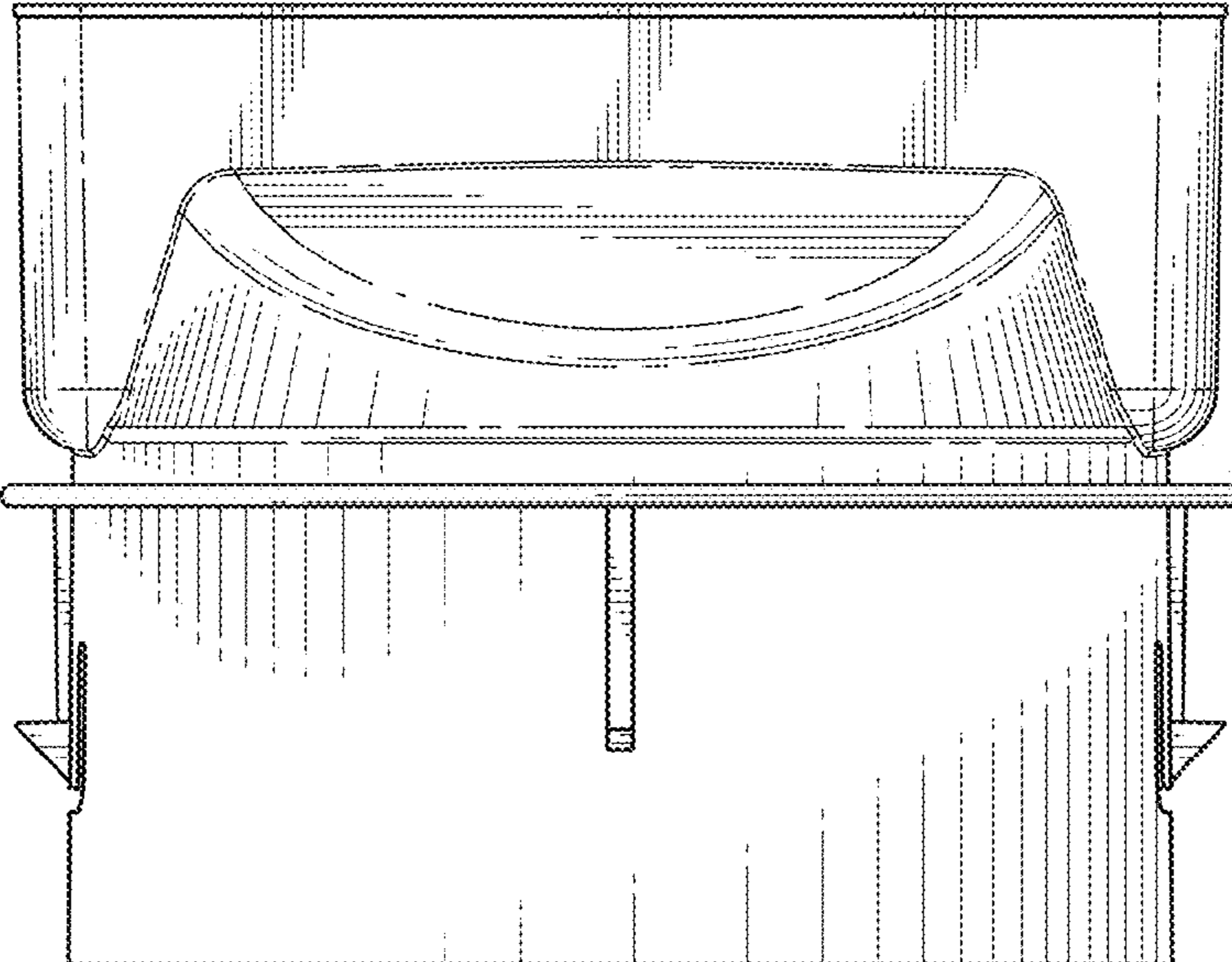


FIG. 3

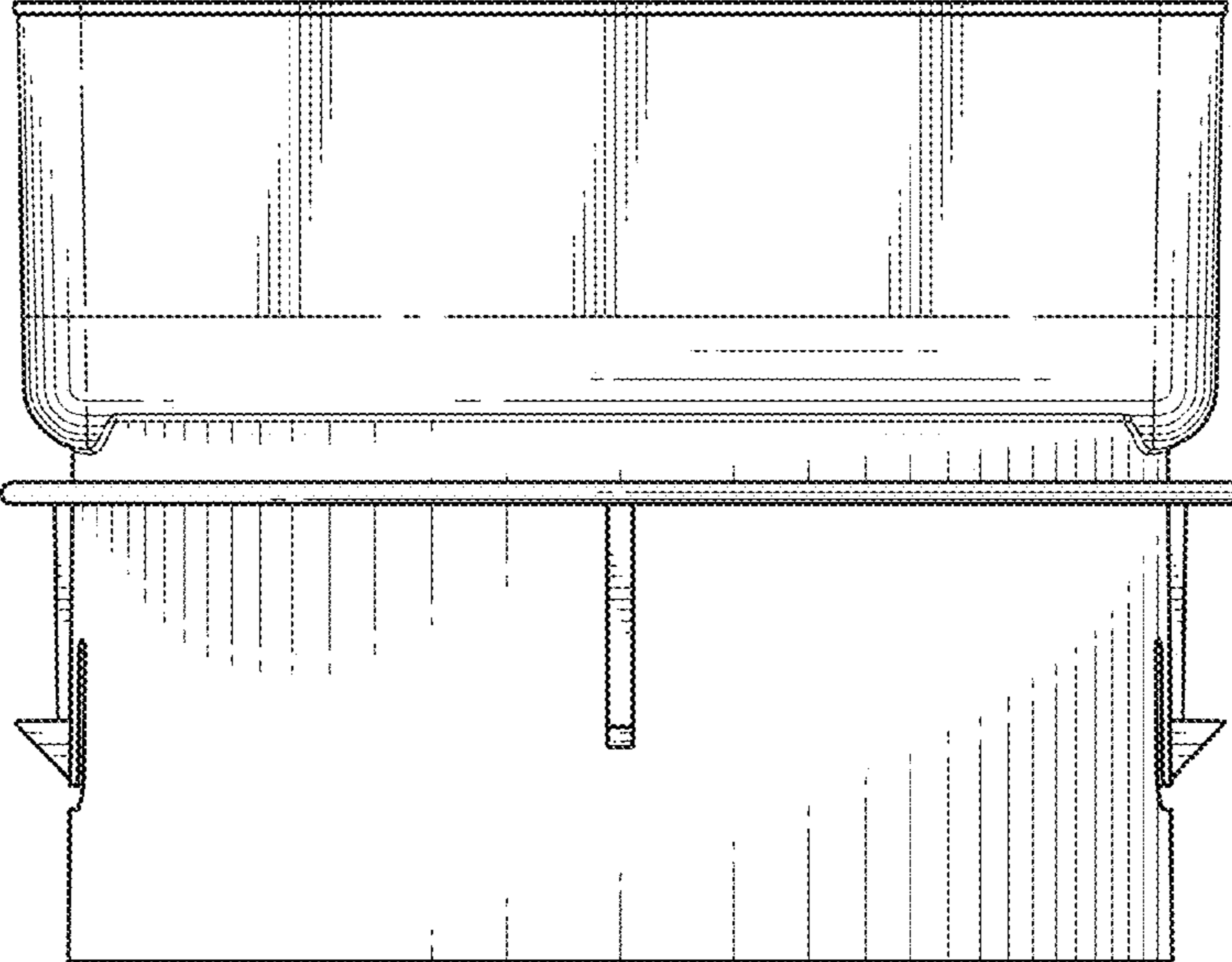


FIG. 4

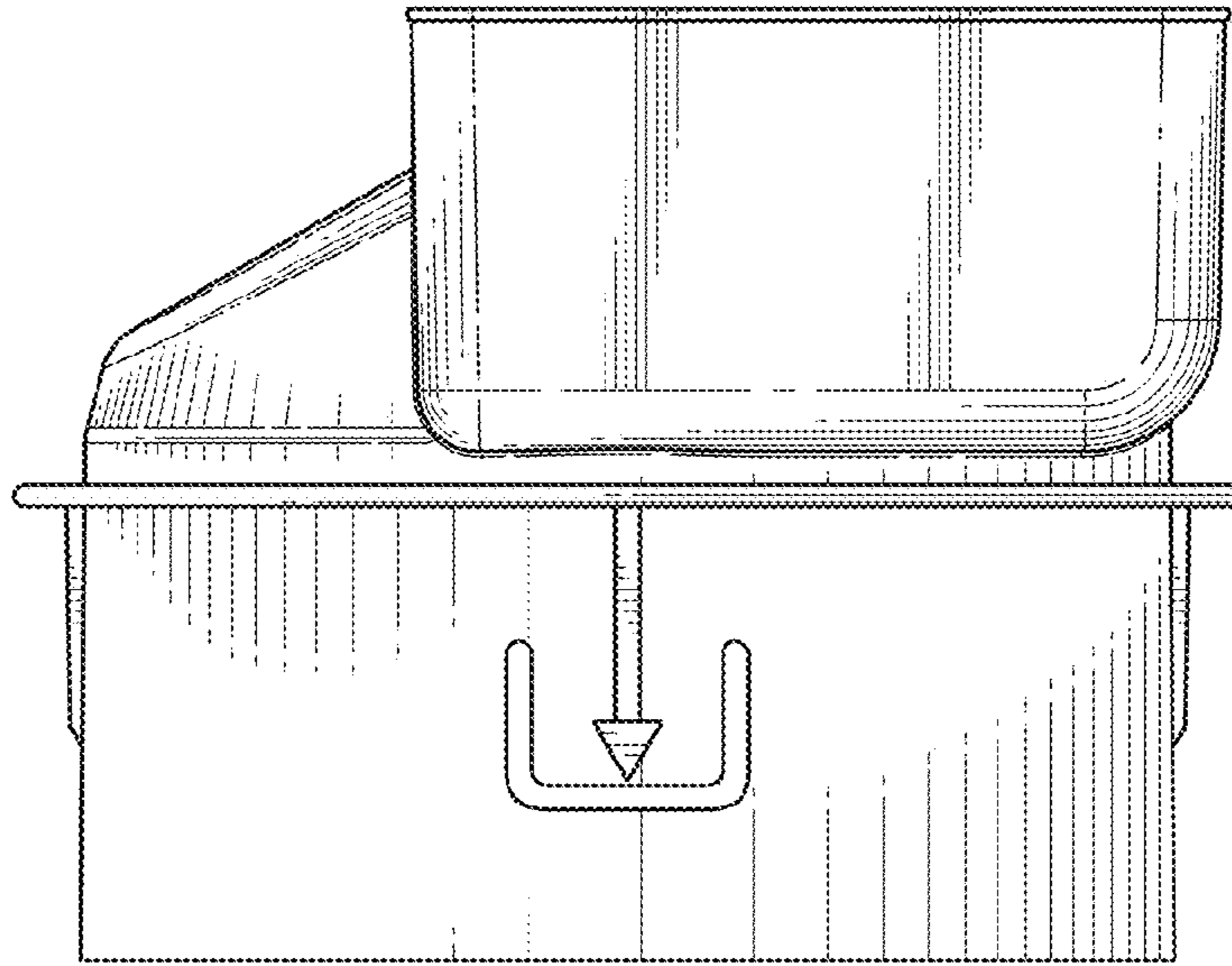


FIG. 5

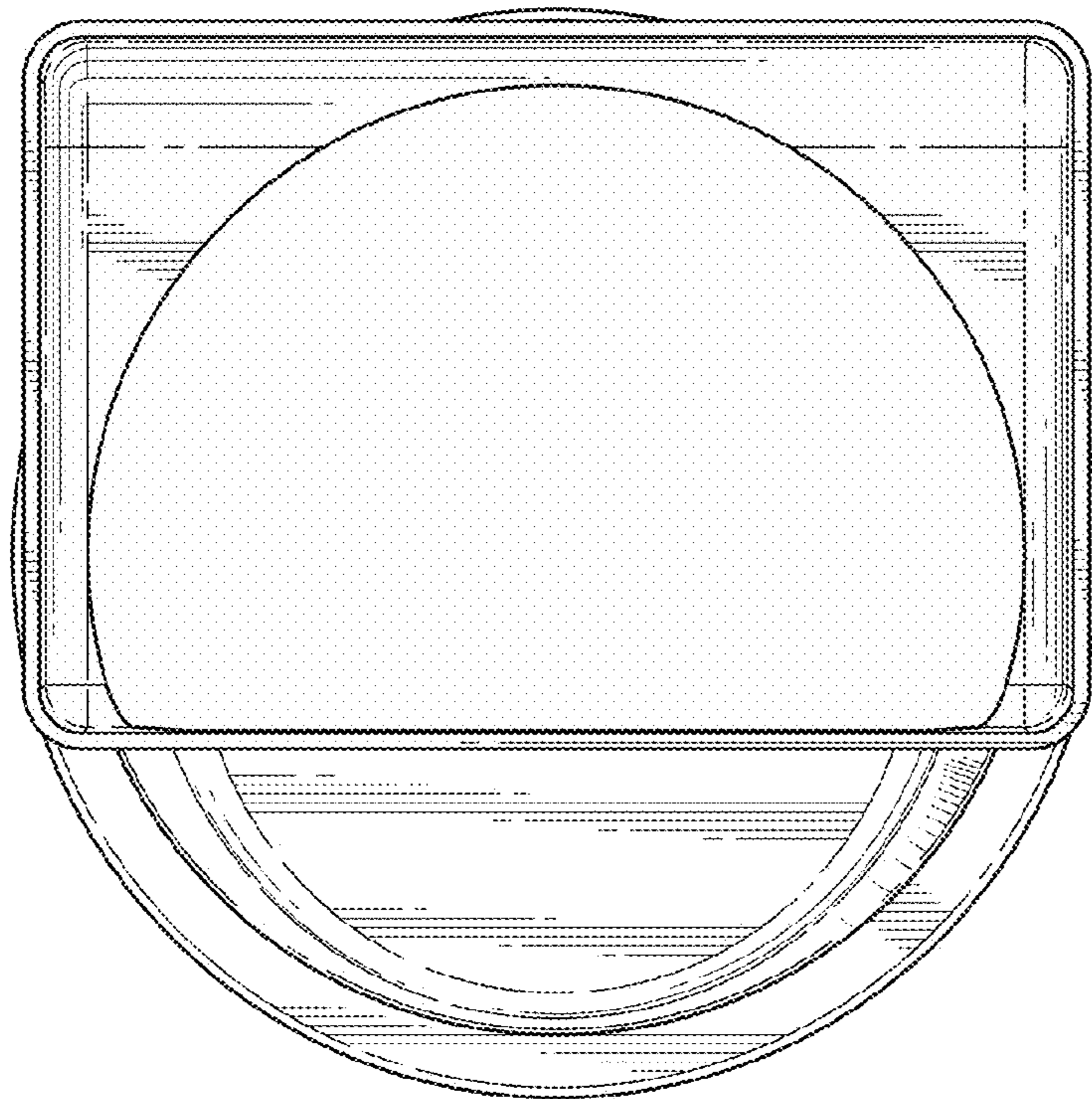


FIG. 6

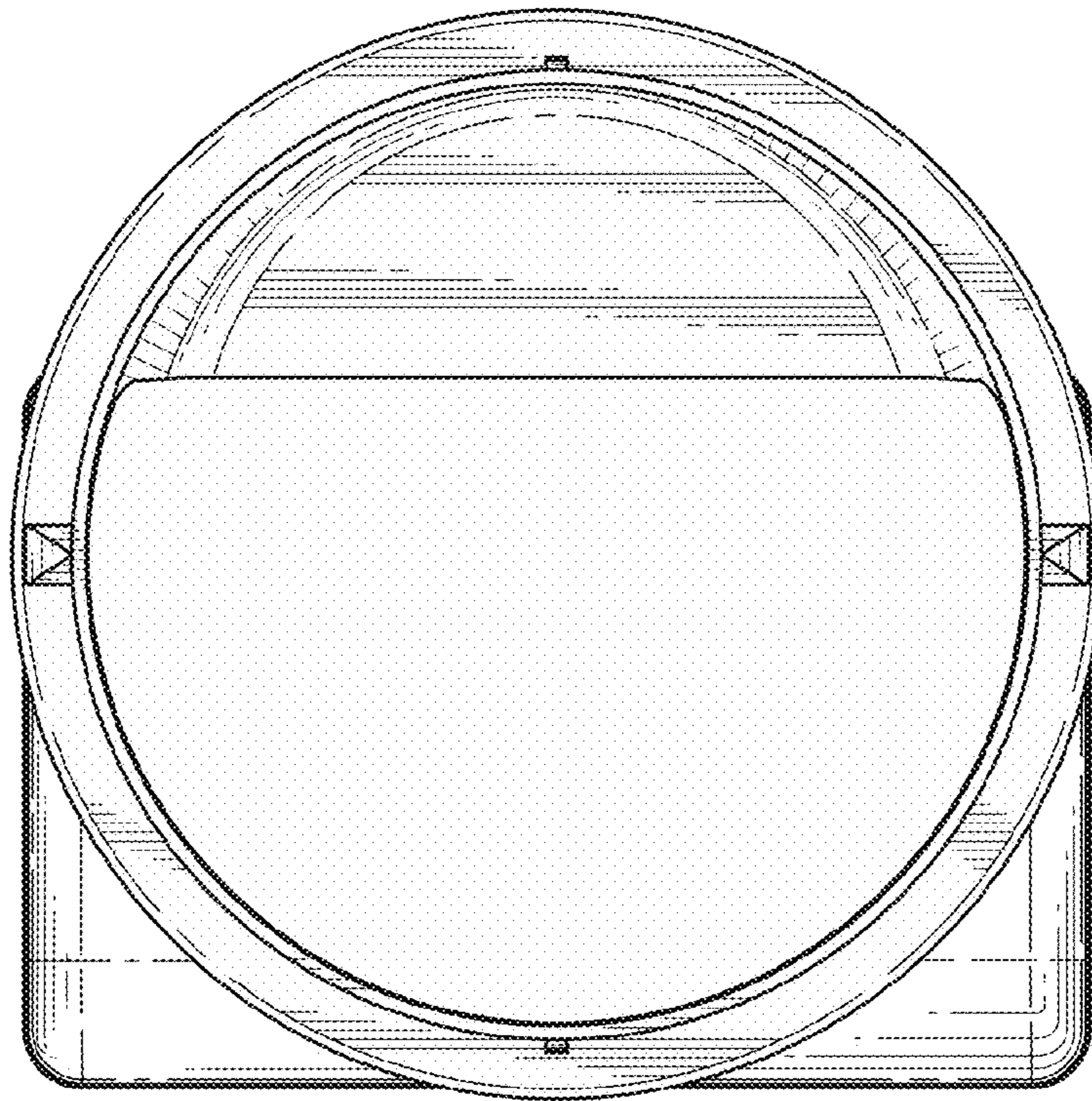


FIG. 7