

US00D761396S

(12) **United States Design Patent**  
**Roddy et al.**

(10) **Patent No.:** **US D761,396 S**  
(45) **Date of Patent:** **\*\* Jul. 12, 2016**

(54) **FENCE PIPE PLUMB LEVEL**

(71) Applicants: **Kenneth J Roddy**, Garland, TX (US);  
**Jeffrey H Roddy**, Richardson, TX (US)

(72) Inventors: **Kenneth J Roddy**, Garland, TX (US);  
**Jeffrey H Roddy**, Richardson, TX (US)

(\*\*) Term: **15 Years**

(21) Appl. No.: **29/529,419**

(22) Filed: **Jun. 6, 2015**

**Related U.S. Application Data**

(63) Continuation-in-part of application No. 29/484,893,  
filed on Mar. 13, 2014, now Pat. No. Des. 728,751.

(51) **LOC (10) Cl.** ..... **23-01**

(52) **U.S. Cl.**  
USPC ..... **D23/262**

(58) **Field of Classification Search**  
USPC ..... D23/259, 260, 262, 265, 266  
CPC ..... F16L 2201/00; F16L 2201/10; F16L  
2201/60; F16L 55/00; F16L 55/168; H02G  
3/32  
See application file for complete search history.

(56) **References Cited**

**U.S. PATENT DOCUMENTS**

1,704,760	A *	3/1929	Parker	.....	F16L 55/1683 138/99
2,408,253	A *	9/1946	Diebold	.....	H02G 7/00 138/110
2,850,045	A *	9/1958	Soehnen	.....	F16L 55/1683 138/92
D189,229	S *	11/1960	Bowne	.....	D23/265
3,385,545	A *	5/1968	Patton	.....	F16L 3/222 248/228.5
3,649,055	A *	3/1972	Nilsen	.....	F16L 47/02 138/99

(Continued)

*Primary Examiner* — Eric Goodman

*Assistant Examiner* — Daniel J Domino

(74) *Attorney, Agent, or Firm* — Jeffrey Roddy

(57) **CLAIM**

The ornamental design for a fence pipe plumb level, as shown and described.

**DESCRIPTION**

FIG. 1 is a side view of our new design for a fence pipe plumb level showing a first embodiment, the opposite side being a mirror image thereof;

FIG. 2 is a top plan view thereof;

FIG. 3 is a bottom plan thereof;

FIG. 4 is an end view thereof;

FIG. 5 is an end view thereof from the opposite side of that shown in FIG. 4;

FIG. 6 is a perspective view thereof;

FIG. 7 is a side view showing a second embodiment, the opposite side being a mirror image thereof;

FIG. 8 is a bottom plan view thereof;

FIG. 9 is a top plan thereof;

FIG. 10 is an end view thereof;

FIG. 11 is an end view thereof from the opposite side of that shown in FIG. 10;

FIG. 12 is a perspective view thereof;

FIG. 13 is a side view showing a third embodiment, the opposite side being a mirror image thereof;

FIG. 14 is a top plan view thereof;

FIG. 15 is a bottom plan thereof;

FIG. 16 is an end view thereof;

FIG. 17 is an end view thereof from the opposite side of that shown in FIG. 16;

FIG. 18 is a perspective view thereof;

FIG. 19 is a side view showing a fourth embodiment, the opposite side being a mirror image thereof;

FIG. 20 is a bottom plan view thereof;

FIG. 21 is a top plan thereof;

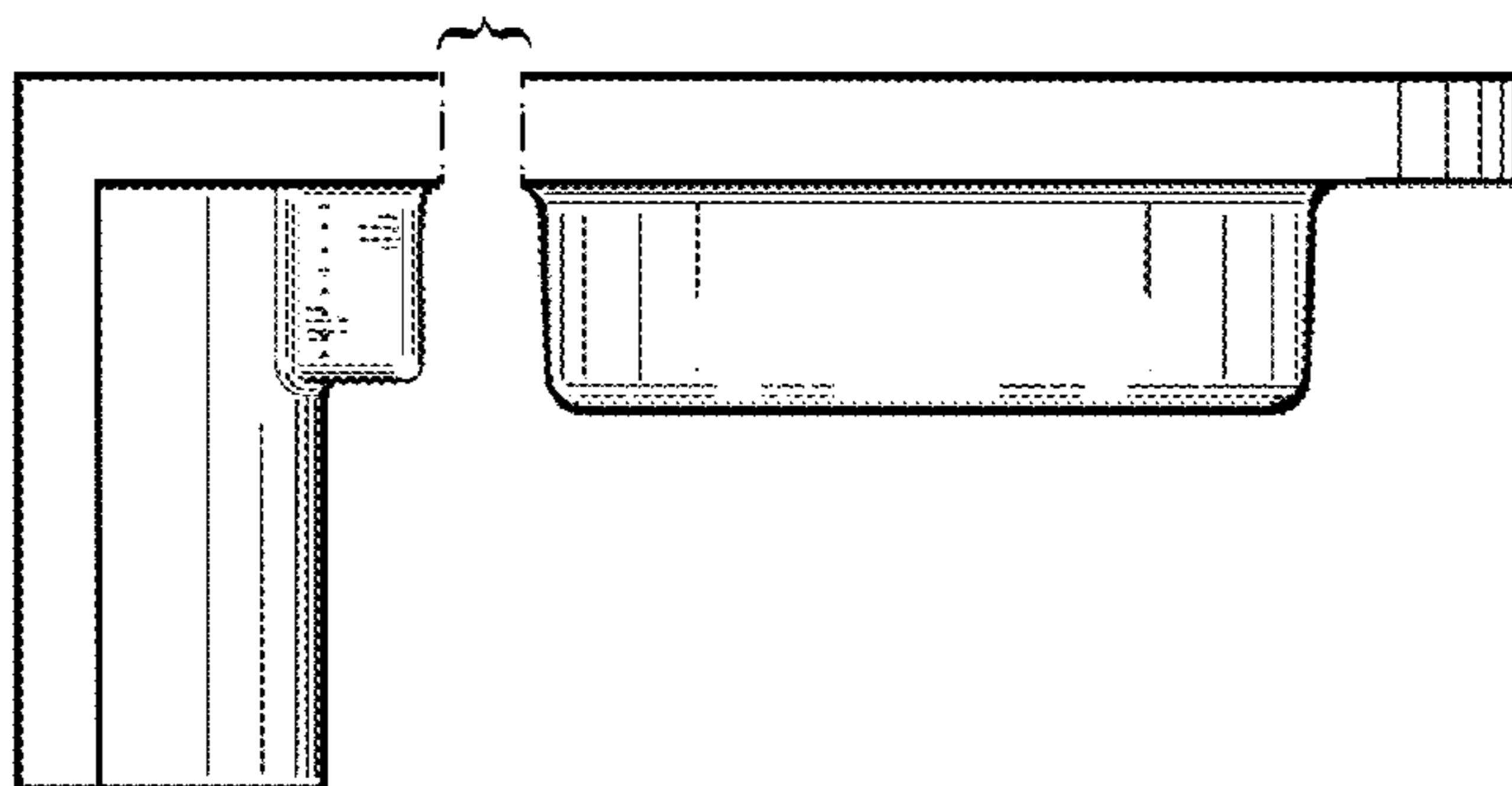
FIG. 22 is an end view thereof;

FIG. 23 is an end view thereof from the opposite side of that shown in FIG. 23; and,

FIG. 24 is a perspective view thereof.

The article is shown with a symbolic break in its length. The appearance of any portion of the article between the break lines forms no part of the claimed design.

**1 Claim, 4 Drawing Sheets**



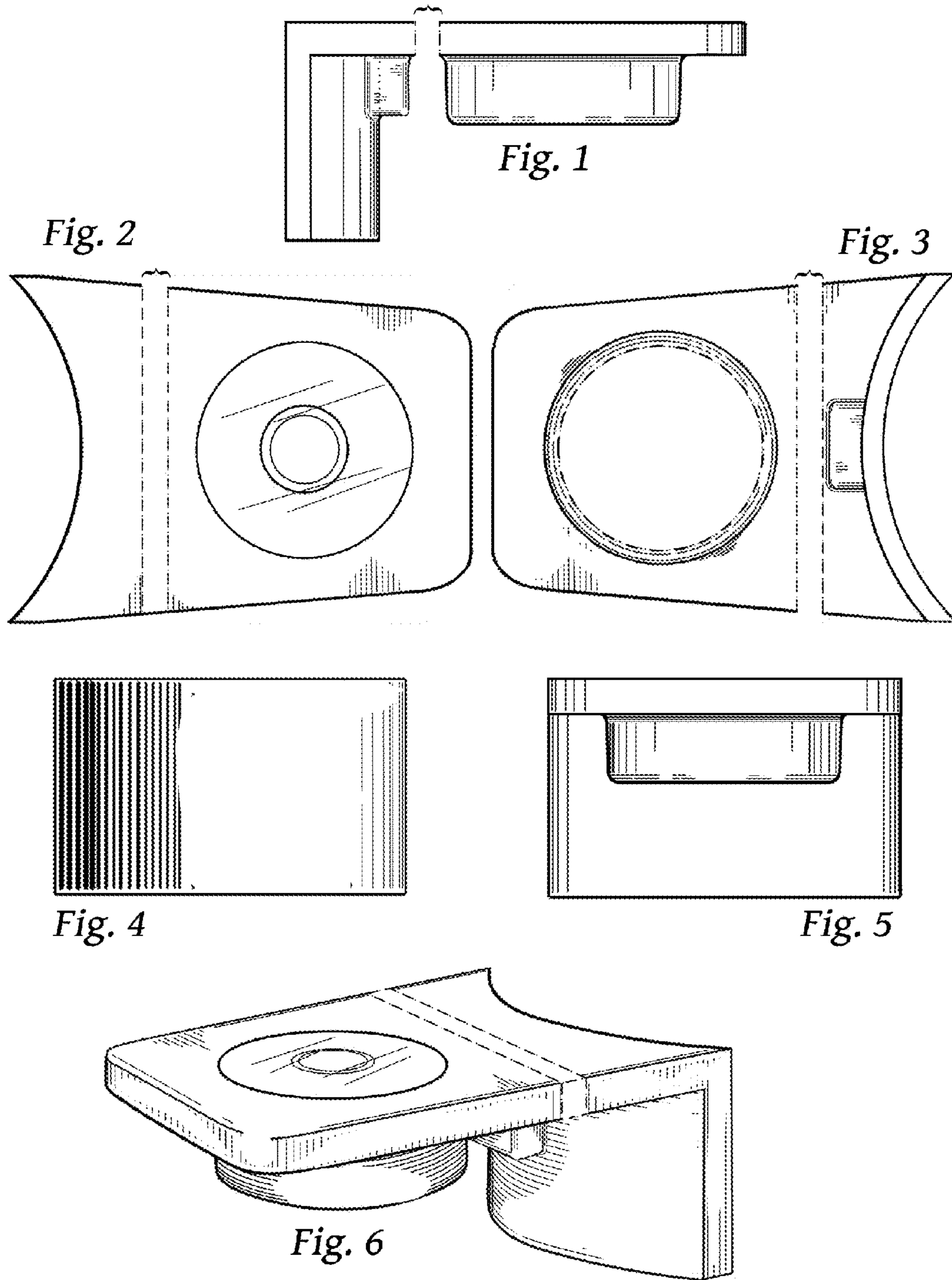
(56)

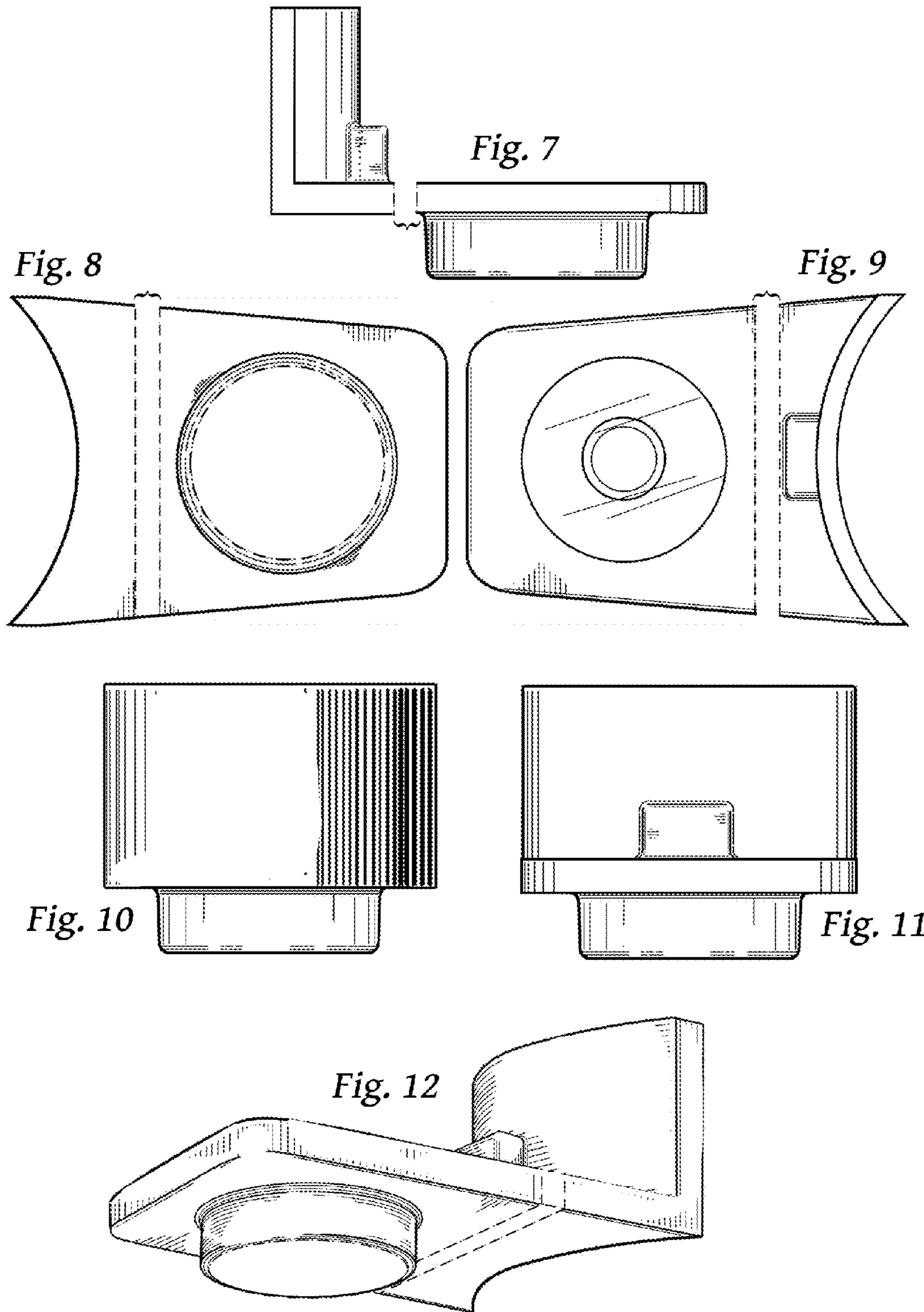
**References Cited**

U.S. PATENT DOCUMENTS

3,963,140	A *	6/1976	Harding	.....	B65D 41/44 215/254	D409,293	S *	5/1999	Senninger	.....	D23/265
4,139,883	A *	2/1979	Ilzig	.....	F16C 11/04 248/278.1	D468,002	S *	12/2002	Steffan	.....	D23/249
4,244,542	A *	1/1981	Mathews	.....	F16L 3/222 138/112	D714,917	S *	10/2014	Miller	.....	D23/269
D270,140	S *	8/1983	Berglund	.....	D9/438	2006/0048418	A1 *	3/2006	Boire	.....	G09F 3/205 40/316
4,407,472	A *	10/1983	Beck	.....	A62C 33/04 24/339	2007/0034758	A1 *	2/2007	Bates	.....	E04H 12/2276 248/218.4
5,020,572	A *	6/1991	Hunt	.....	B23P 6/04 138/97	2012/0111280	A1 *	5/2012	Shin	.....	A01K 7/025 119/78
D372,074	S *	7/1996	Wallace	.....	D23/269	2013/0032130	A1 *	2/2013	Jacques	.....	A47J 33/00 126/30
5,660,417	A *	8/1997	Reeves	.....	G01L 5/24 116/201	2013/0152291	A1 *	6/2013	Stonecipher	.....	E03D 11/16 4/252.1
						2014/0007438	A1 *	1/2014	Silberberg	.....	G01C 9/28 33/371

\* cited by examiner





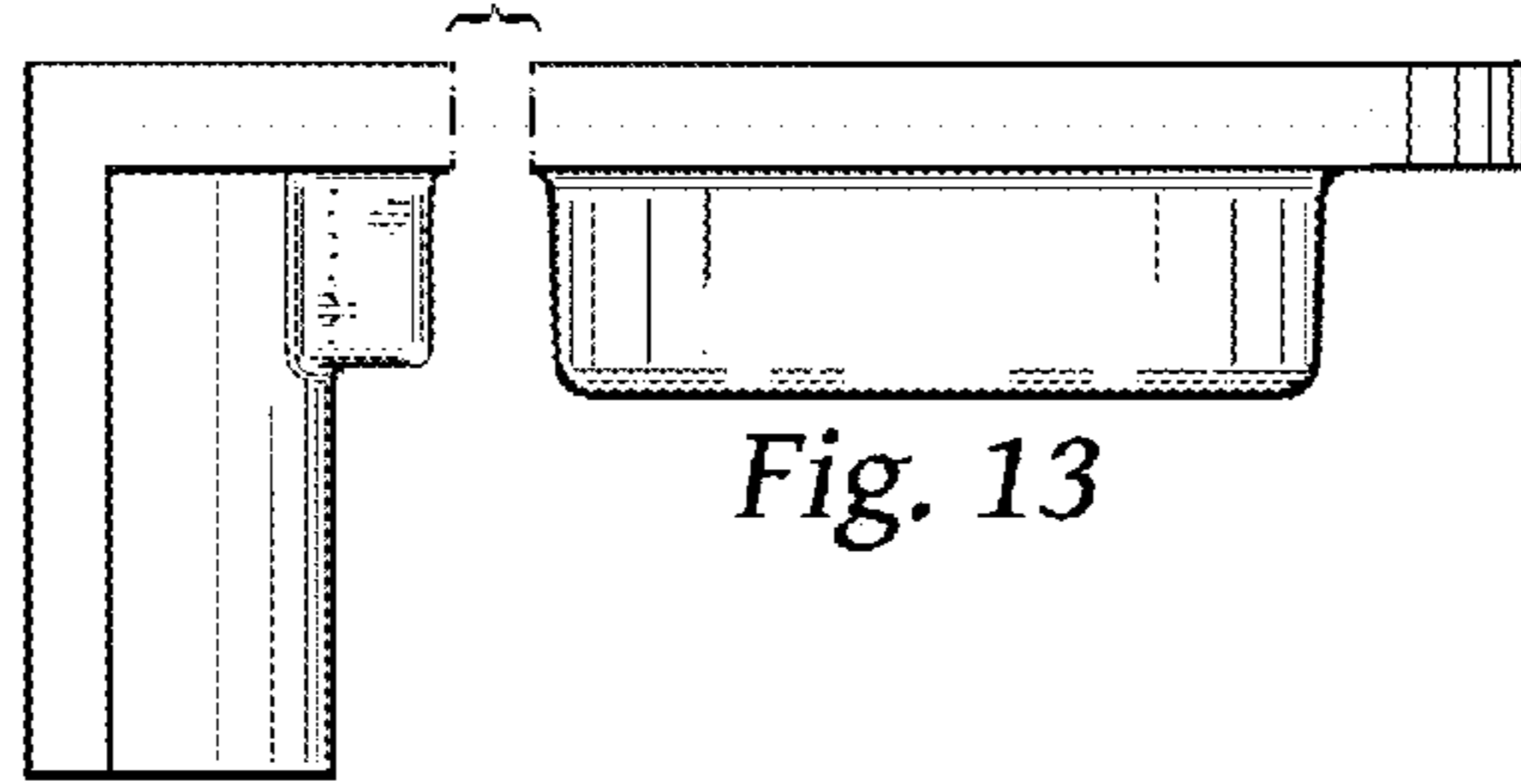


Fig. 13

Fig. 14

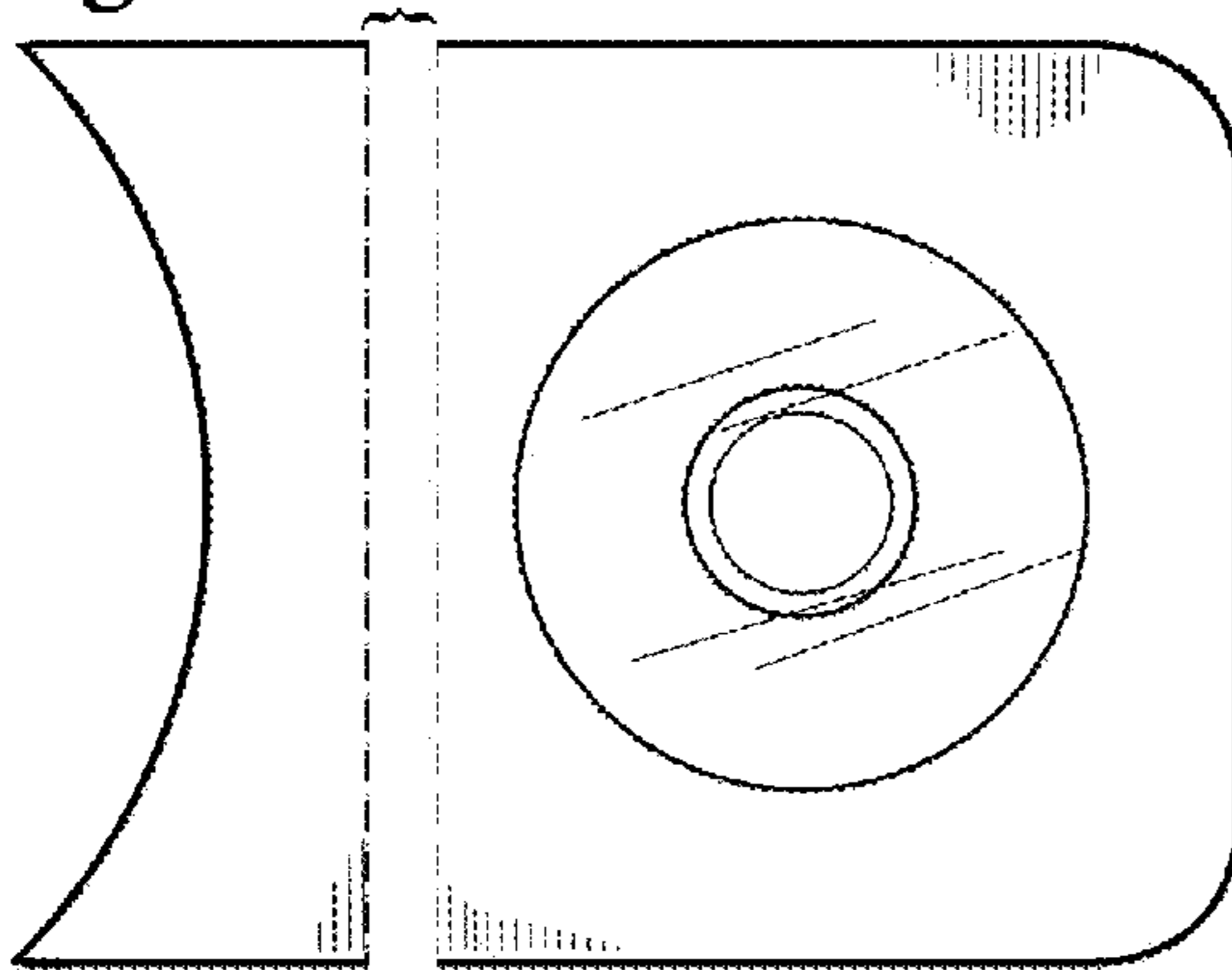


Fig. 15

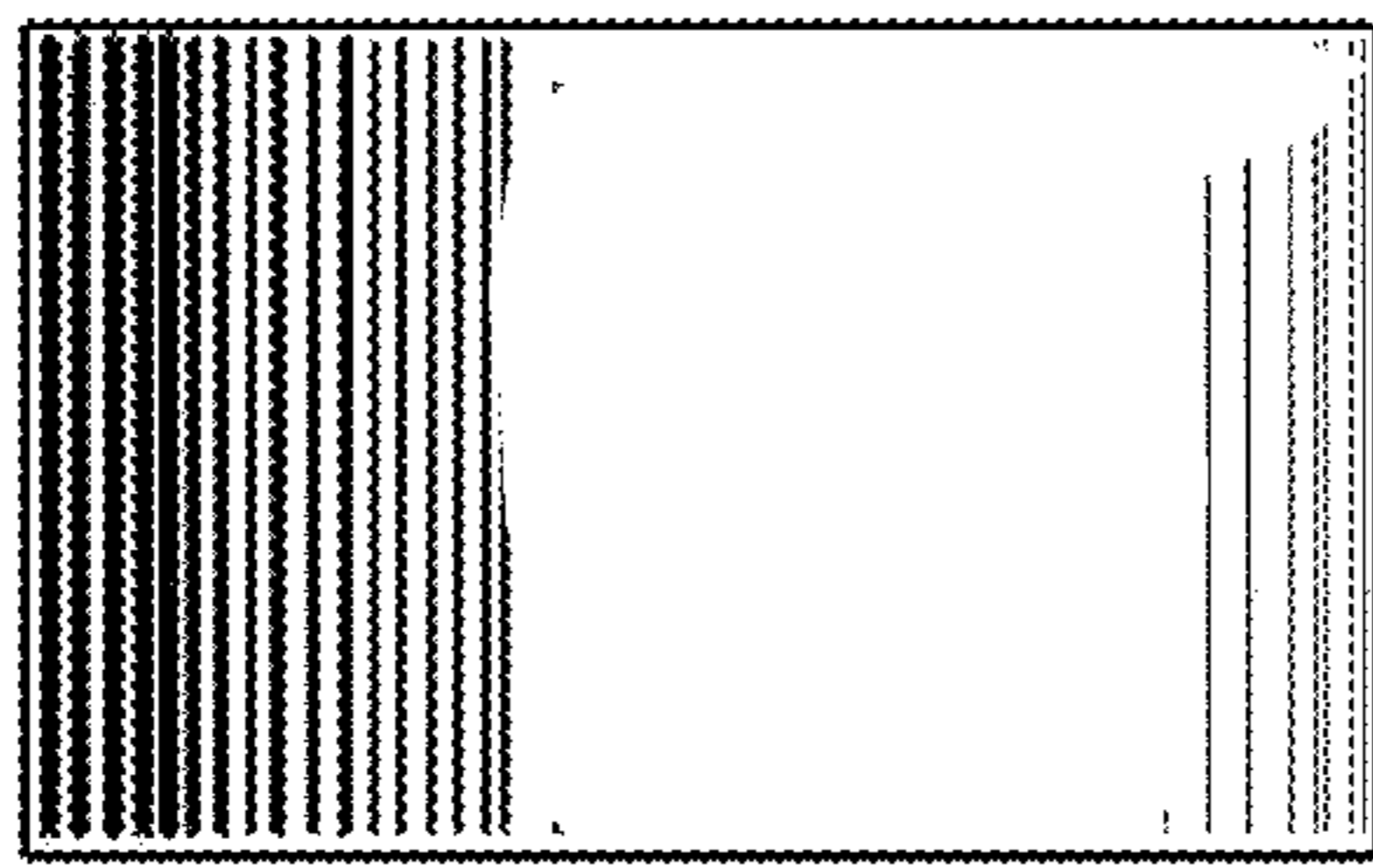
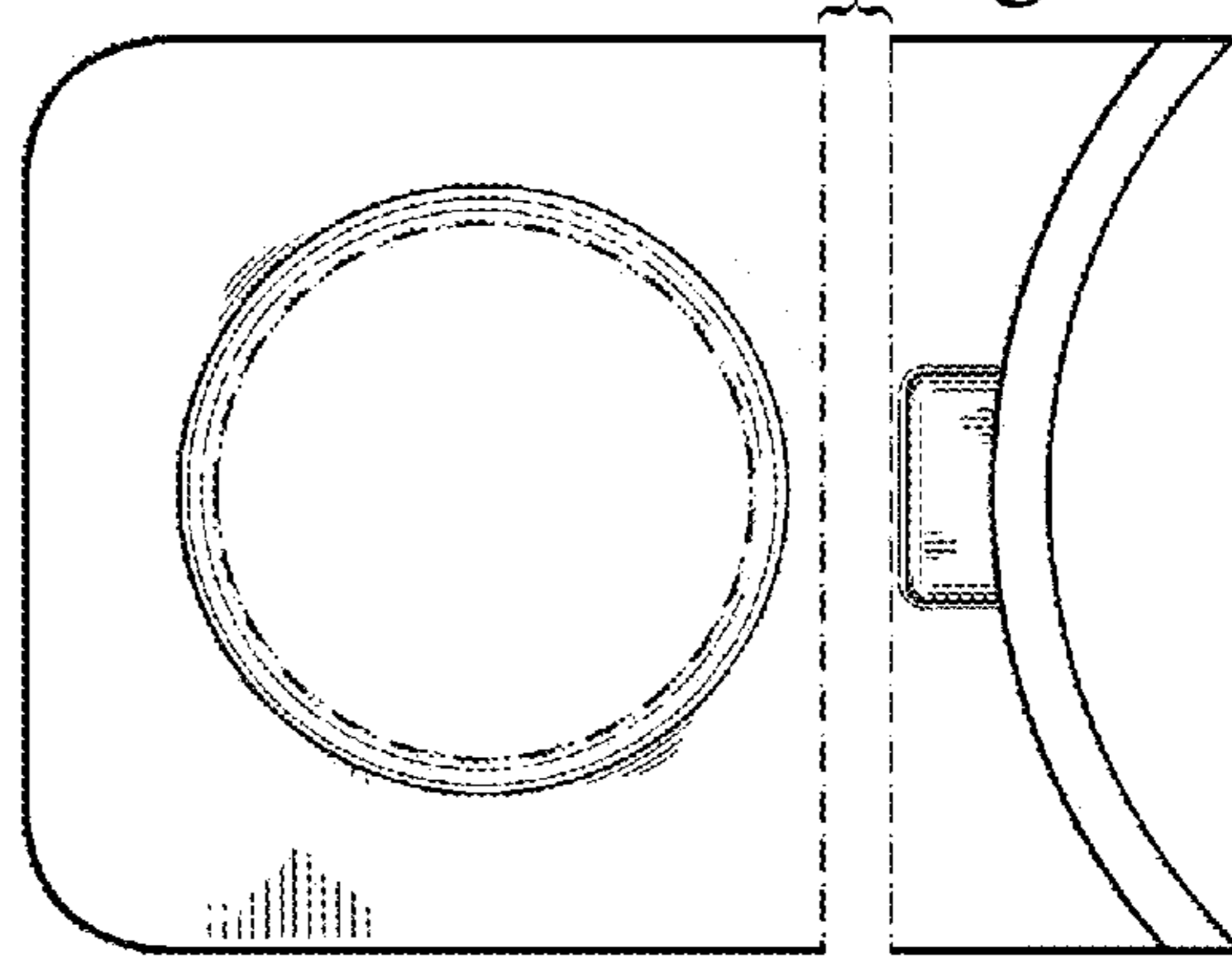


Fig. 16

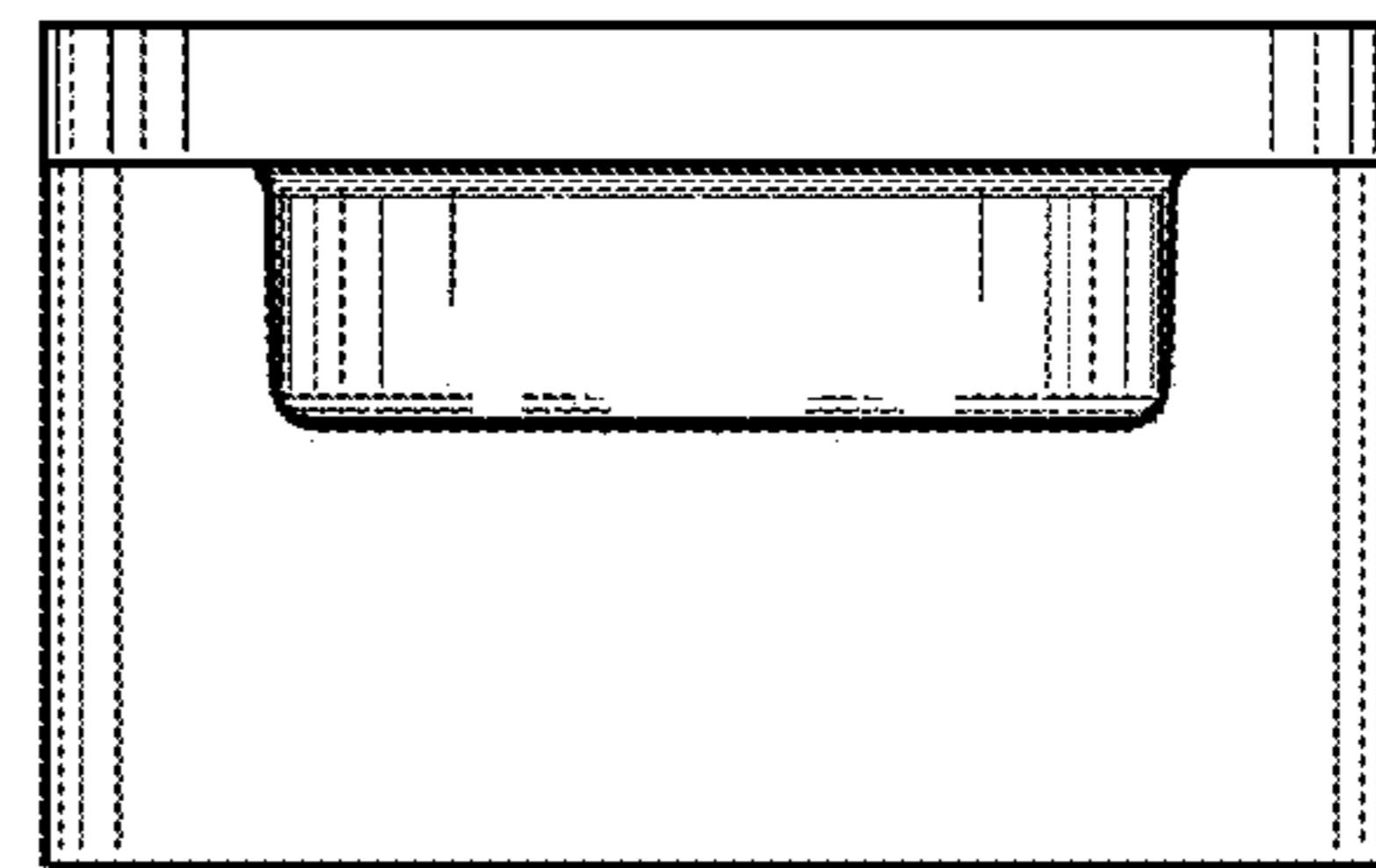


Fig. 17

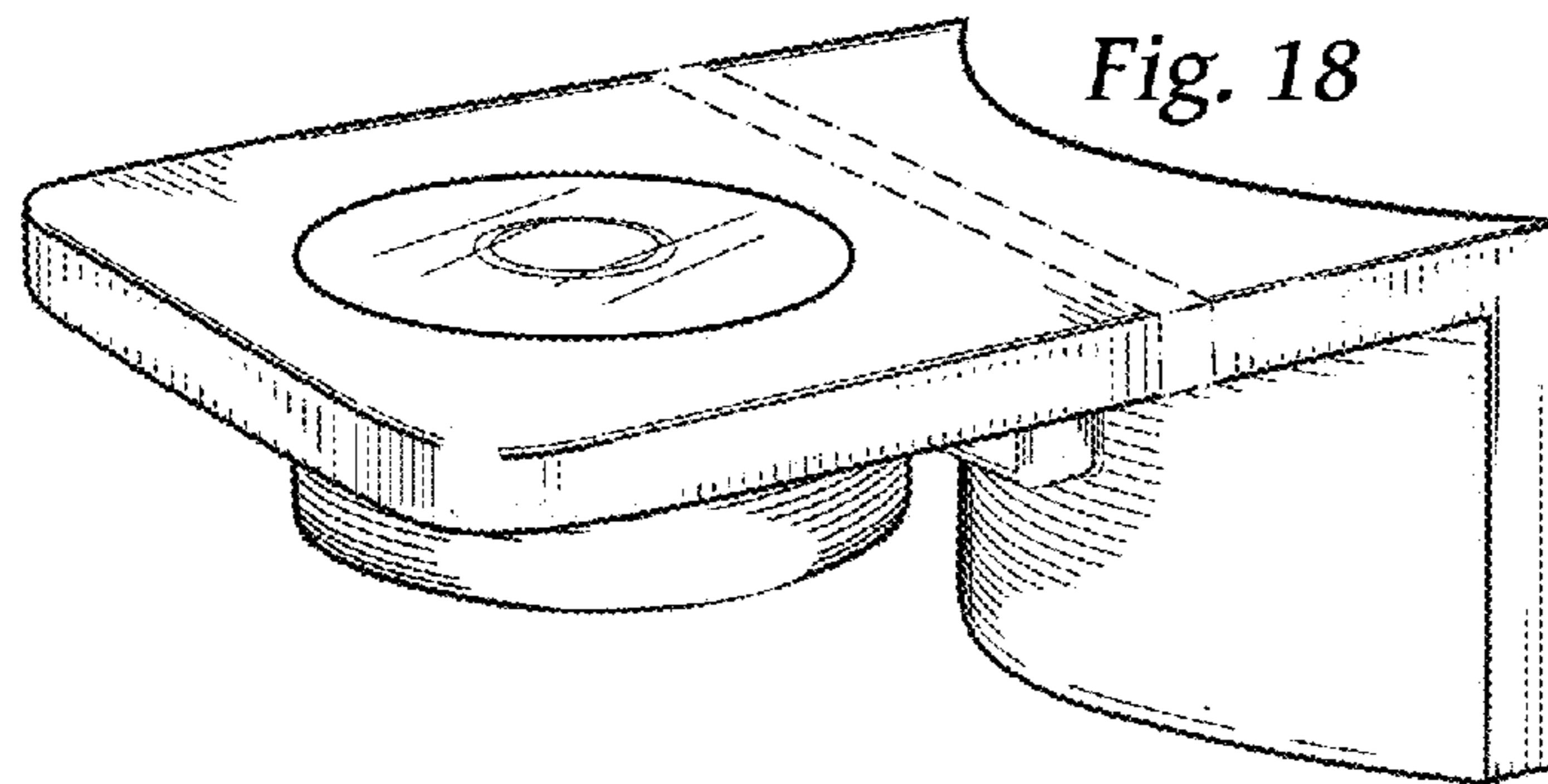


Fig. 18

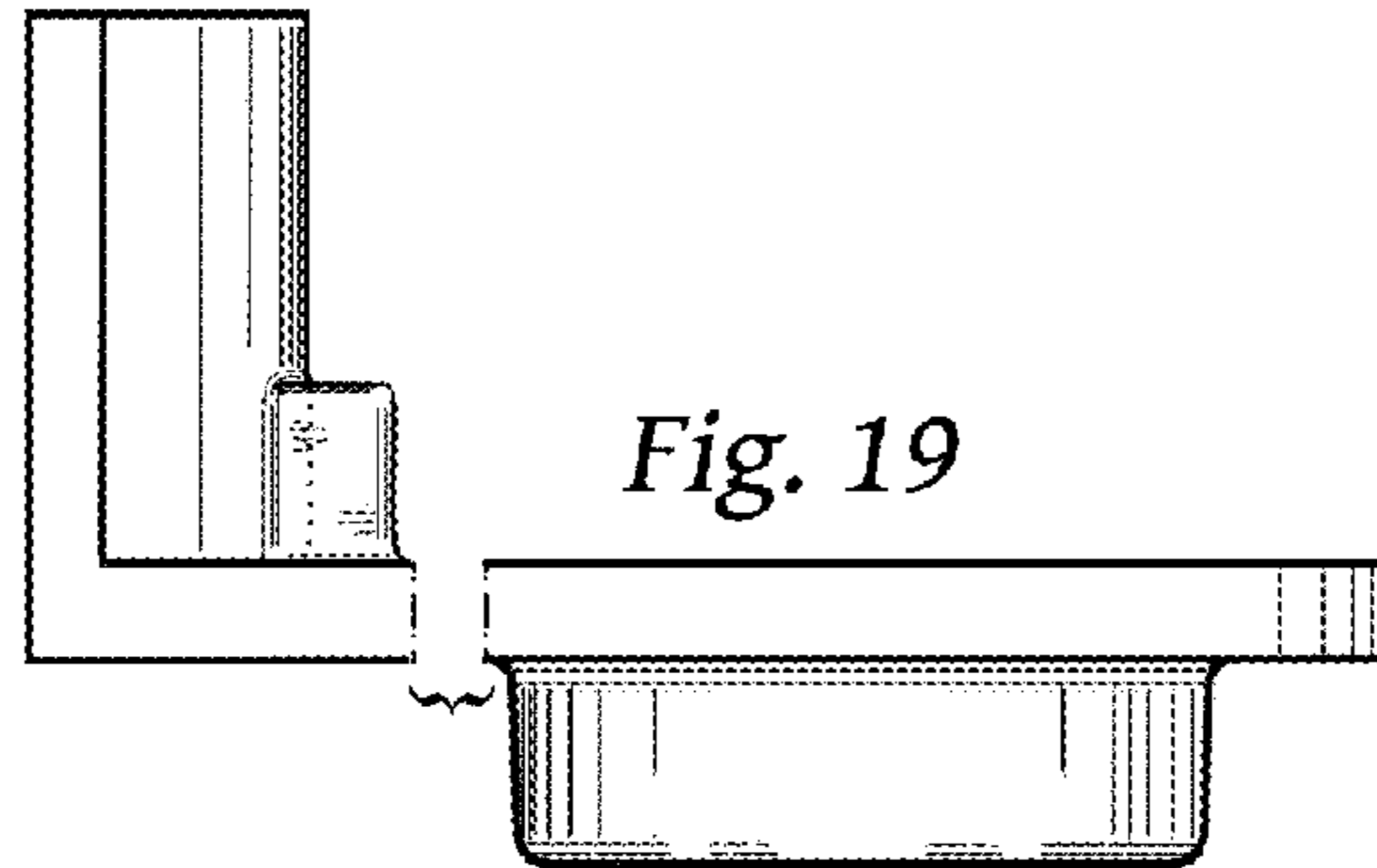


Fig. 19

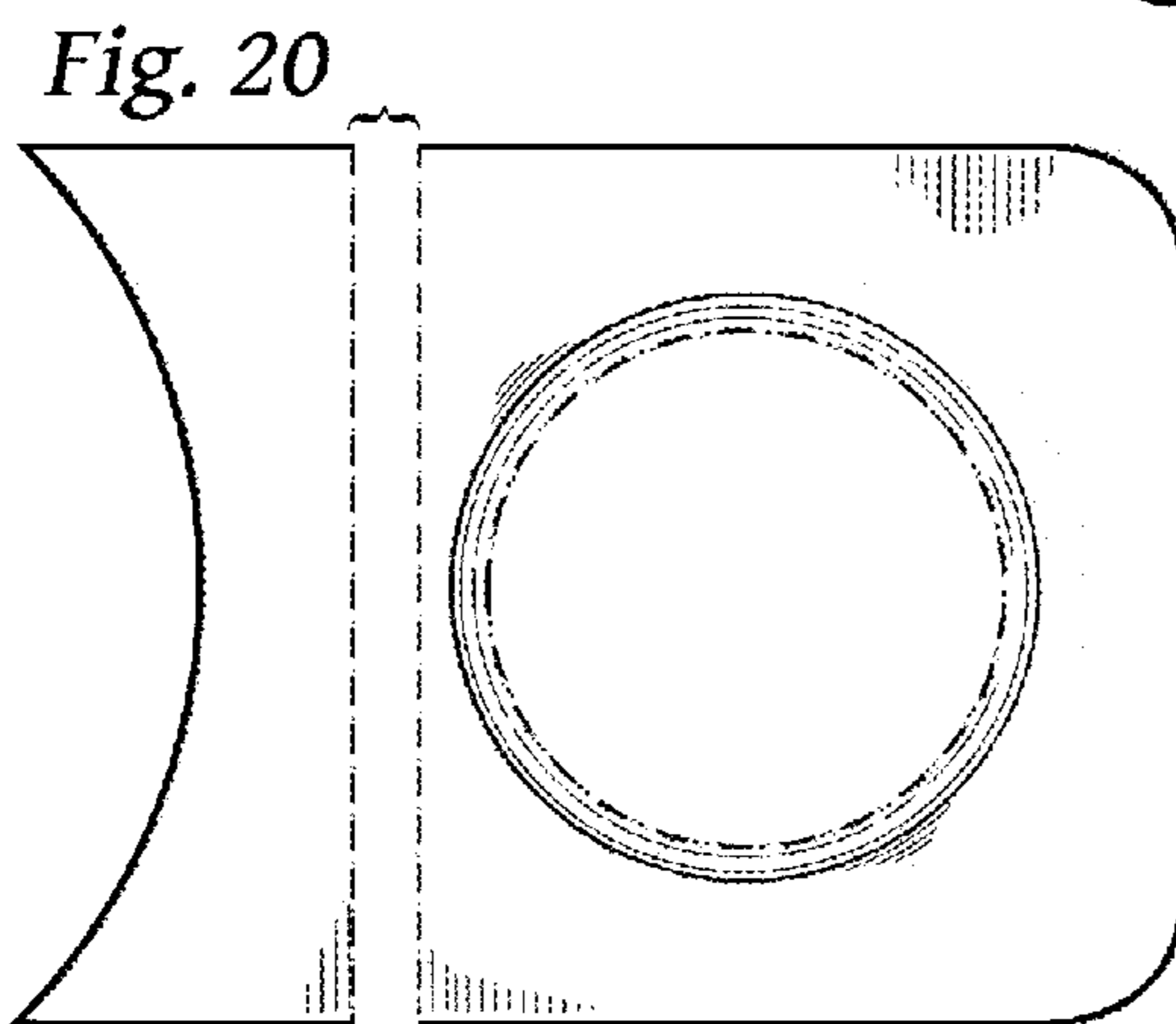


Fig. 20

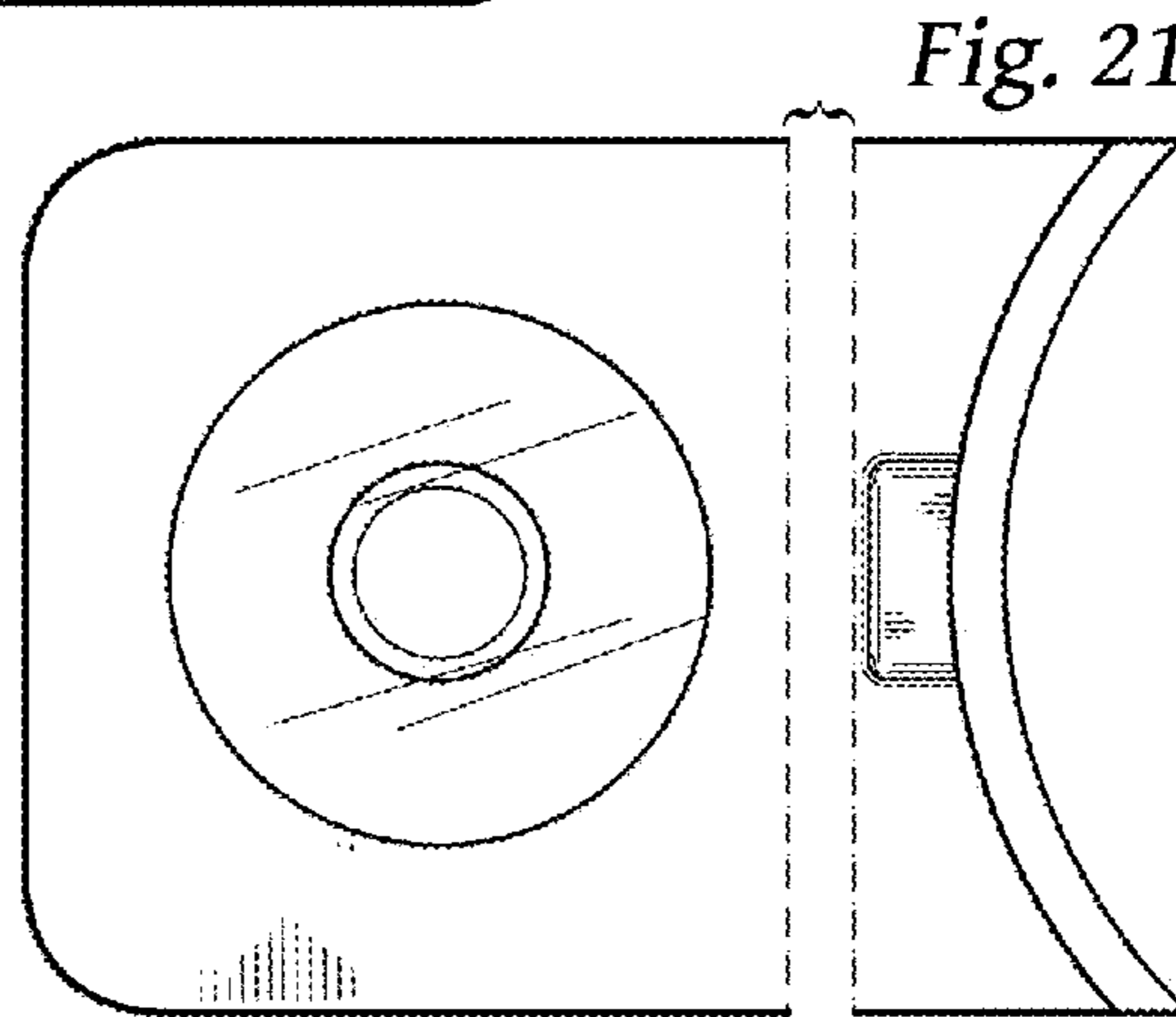


Fig. 21

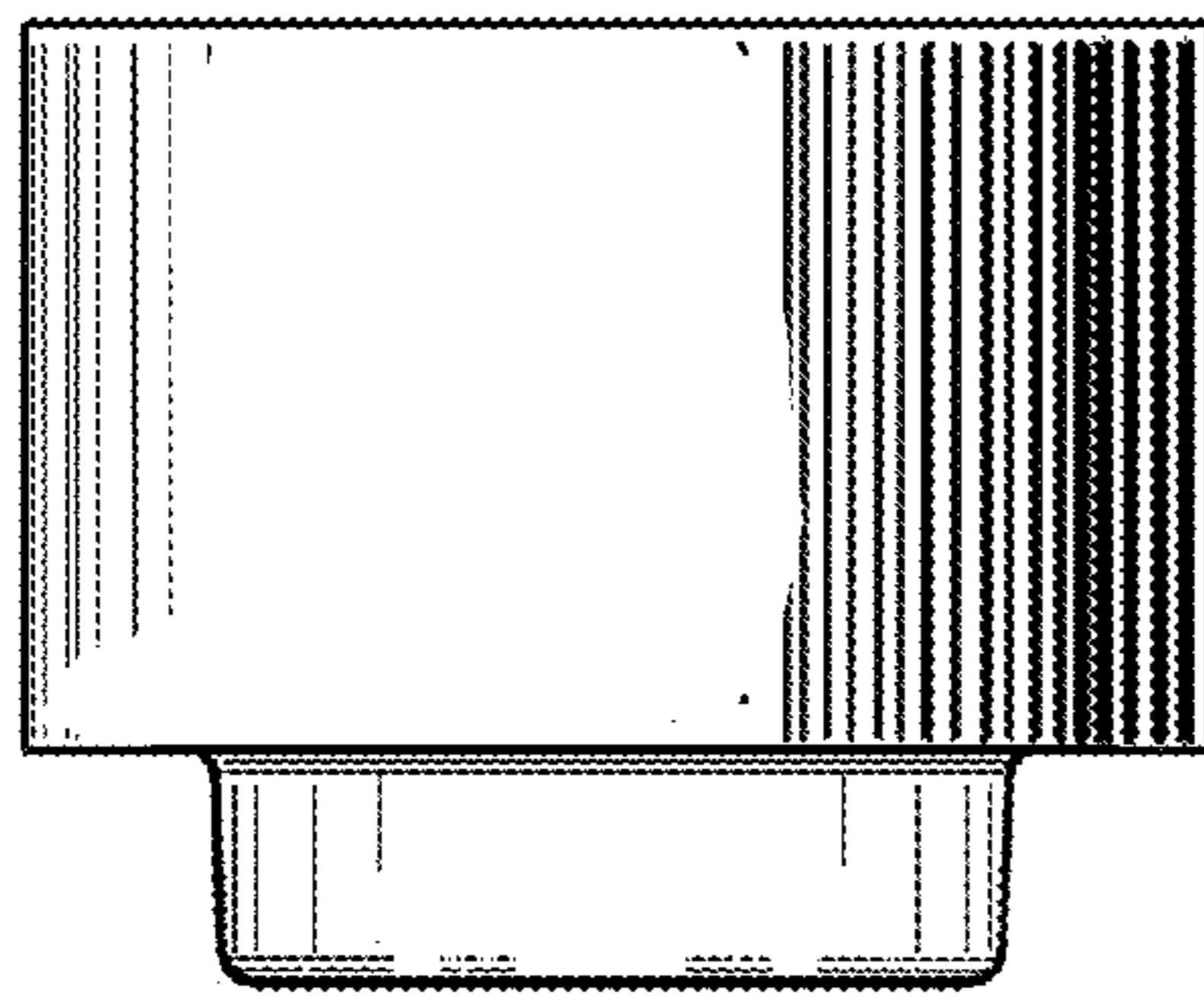


Fig. 22

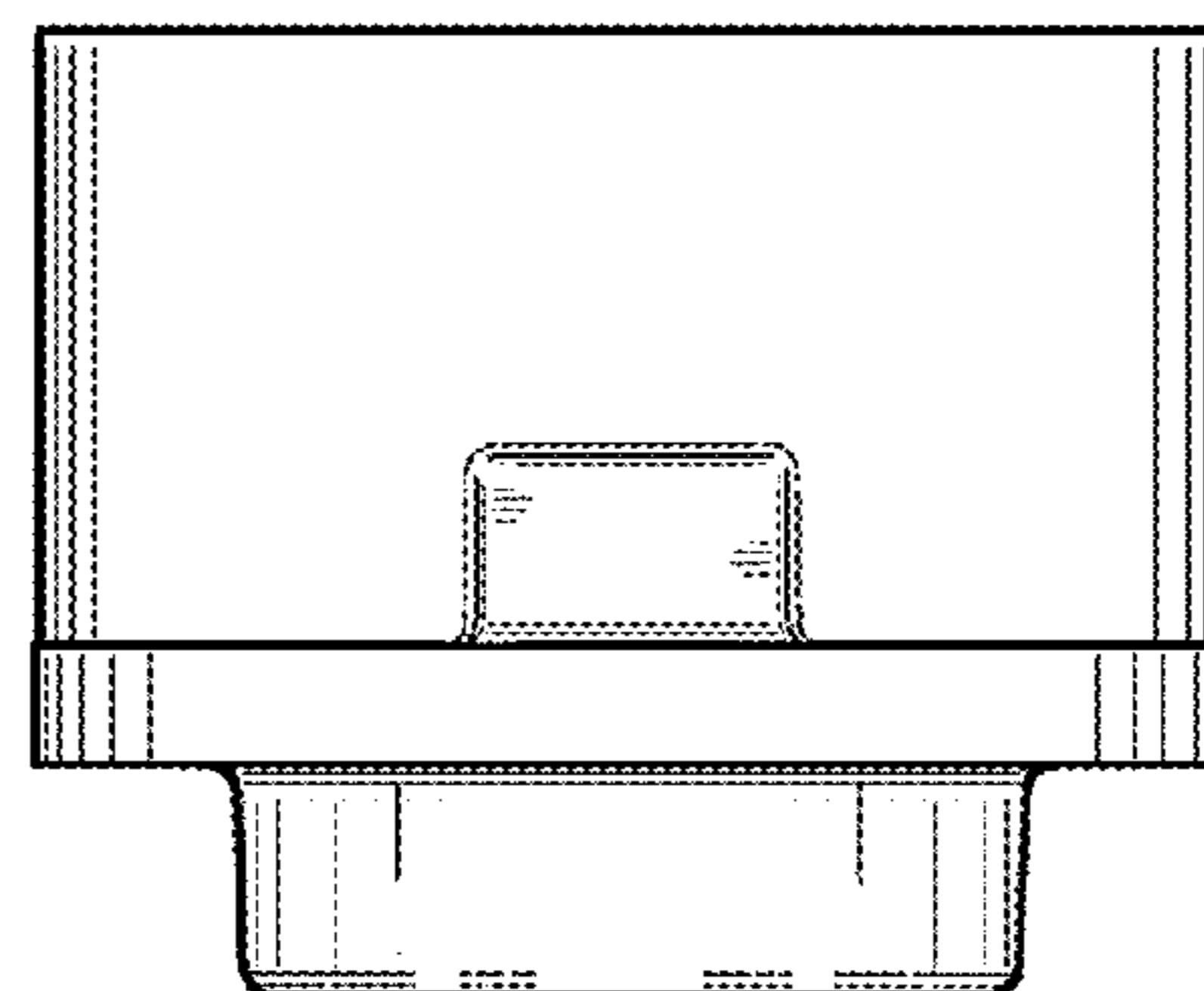


Fig. 23

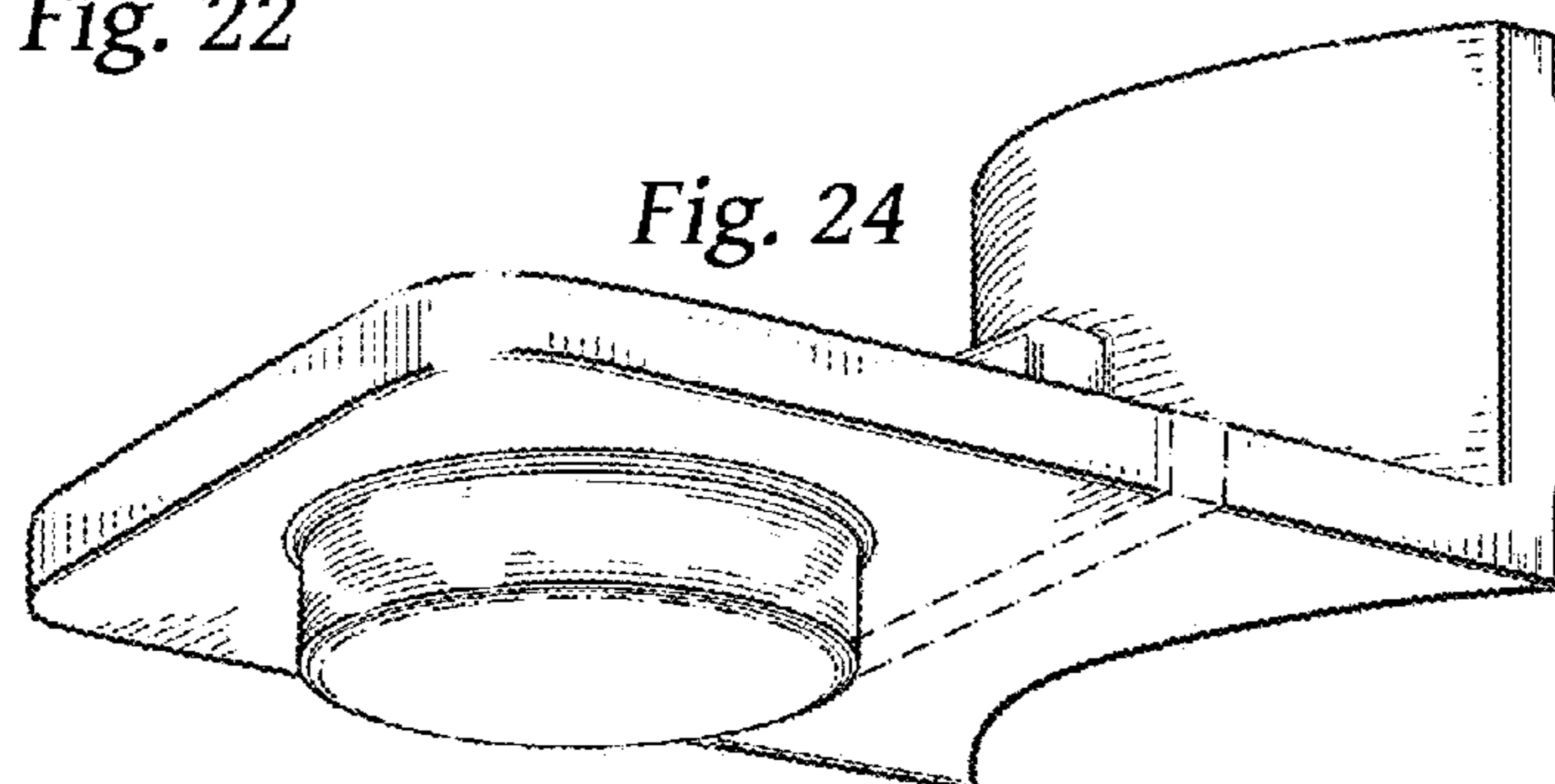


Fig. 24