



US00D761395S

(12) **United States Design Patent**
Plackner et al.

(10) **Patent No.:** **US D761,395 S**
(45) **Date of Patent:** **** Jul. 12, 2016**

- (54) **FLUID COUPLING**
- (71) Applicant: **Colder Products Company**, St. Paul, MN (US)
- (72) Inventors: **Blair Douglas Plackner**, Pine Island, MN (US); **Haixiao Si**, Jiangsu Province (CN); **David John Vranish**, New Hope, MN (US); **Xin Zhang**, Jiangsu Province (CN)
- (73) Assignee: **Colder Products Company**, St. Paul, MN (US)
- (**) Term: **14 Years**
- (21) Appl. No.: **29/519,851**
- (22) Filed: **Mar. 9, 2015**
- (51) **LOC (10) Cl.** **23-01**
- (52) **U.S. Cl.**
USPC **D23/262**
- (58) **Field of Classification Search**
USPC D23/259, 260, 262, 264, 266, 233–237, D23/241, 421; D24/129
CPC F16L 45/00; F16L 5/00; F16L 55/105; F16L 55/1007; B60P 3/20; E03C 1/122; H02G 3/0616; H02G 9/06; G05D 13/00; E03B 9/02; E03B 9/04; F16K 11/0655; F16K 27/003; F16K 1/305
See application file for complete search history.

- 3,290,068 A * 12/1966 Jackson B64C 27/37 277/589
- 3,319,979 A * 5/1967 Herold F16L 37/002 285/101
- D216,790 S * 3/1970 Woodford et al. D23/234
- D216,791 S * 3/1970 Woodford et al. D23/234
- D228,554 S * 10/1973 Magorien et al. D23/263
- D239,031 S * 3/1976 Madlem et al. D13/155
- 4,048,996 A * 9/1977 Mittleman A61M 39/04 604/86
- D256,607 S * 8/1980 Carlin D23/245
- D275,616 S * 9/1984 Gray D10/84
- D276,369 S * 11/1984 Clawson D24/129
- D276,465 S * 11/1984 Clawson D24/129
- 4,898,199 A * 2/1990 Morris F16L 55/1015 137/614.06
- 4,900,065 A * 2/1990 Houck F16L 37/098 285/124.4
- D318,718 S * 7/1991 Blatt D13/133
- D320,065 S * 9/1991 Chou D23/262
- 5,083,819 A * 1/1992 Bynum F16L 19/005 285/315

(Continued)

OTHER PUBLICATIONS

Colder Products Company, Excerpt from Quick Couplings & Fittings for Plastic Tubing, Copyright 2010, 11 pages.

Primary Examiner — John Windmuller

Assistant Examiner — Steven Czyz

(74) *Attorney, Agent, or Firm* — Merchant & Gould P.C.

(57) **CLAIM**

The ornamental design for a fluid coupling, as shown and described.

DESCRIPTION

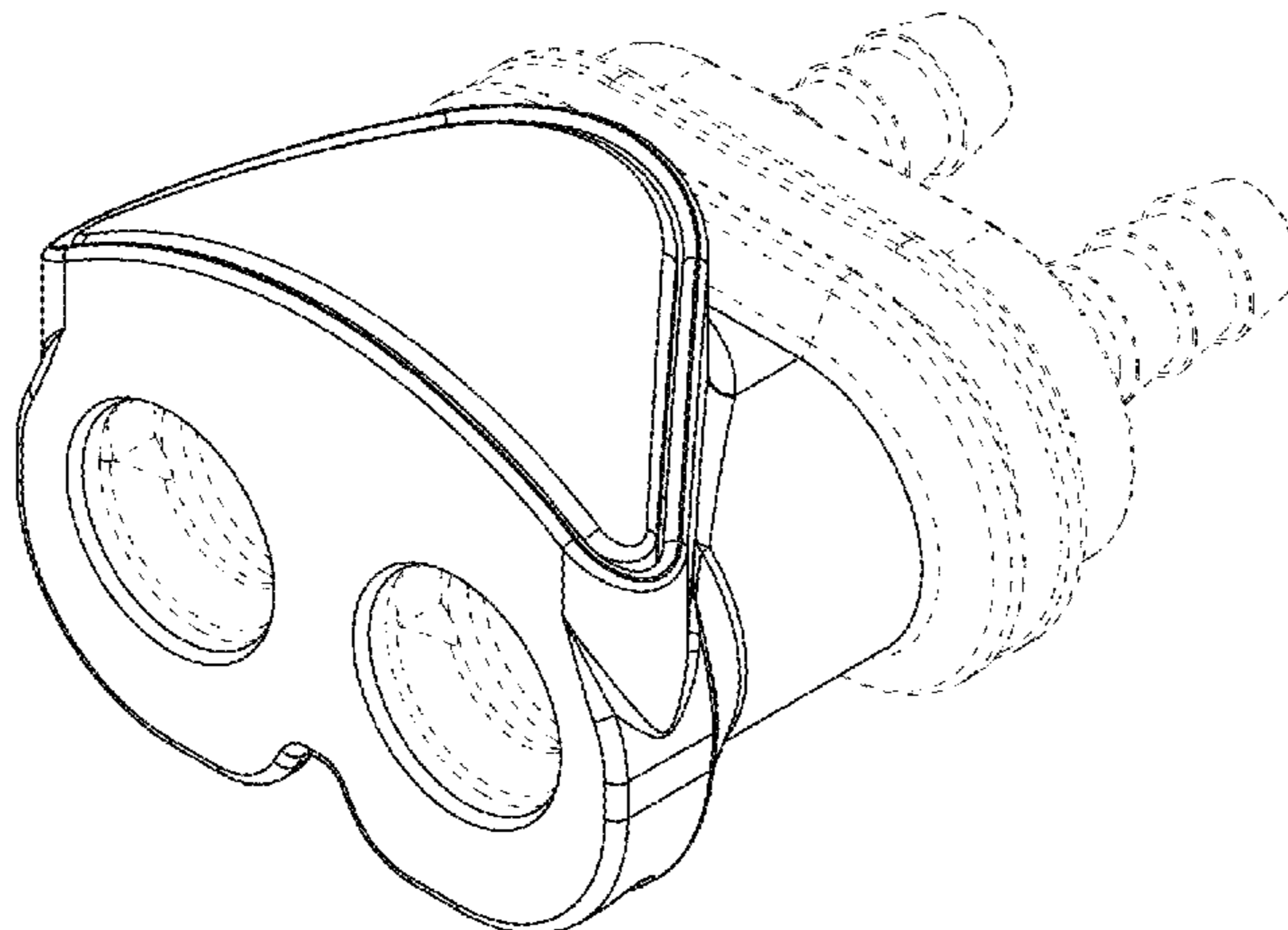
FIG. 1 is perspective view of the fluid coupling.
FIG. 2 is a top view of the fluid coupling.
FIG. 3 is a side view of the fluid coupling.
FIG. 4 is a first end view of the fluid coupling; and,
FIG. 5 is a second end view of the fluid coupling.
The broken lines depict portions of the article that form no part of the claimed design.

1 Claim, 2 Drawing Sheets

(56) **References Cited**

U.S. PATENT DOCUMENTS

- 657,562 A * 9/1900 Neumyer et al. E03C 1/042 137/295
- D34,035 S * 2/1901 Koelkebeck et al. D23/233
- D191,425 S * 9/1961 Popp et al. D23/245
- 3,092,140 A * 6/1963 Kenney B64D 37/005 137/594
- 3,112,766 A * 12/1963 Zeliznak F16L 37/252 137/614.05



(56)

References Cited

U.S. PATENT DOCUMENTS

| | | | | | |
|--------------|------|---------|----------------|-------|--------------------------|
| 5,179,976 | A * | 1/1993 | Boland | | F16L 37/23 137/614.04 |
| 5,366,259 | A * | 11/1994 | Hohmann | | F16L 37/107 285/23 |
| D357,736 | S * | 4/1995 | Dye | | D23/260 |
| D359,797 | S * | 6/1995 | Saito | | D23/262 |
| D362,711 | S * | 9/1995 | Garrard | | D23/235 |
| D369,664 | S * | 5/1996 | Dye | | D23/260 |
| D385,951 | S * | 11/1997 | Szymanski | | D23/237 |
| D487,147 | S * | 2/2004 | Ellingboe | | D24/129 |
| D492,773 | S * | 7/2004 | Ellingboe | | D24/129 |
| D518,876 | S * | 4/2006 | Park | | D23/233 |
| D590,499 | S * | 4/2009 | Chesnin | | D24/129 |
| D610,240 | S * | 2/2010 | Tausch | | D23/262 |
| D612,465 | S * | 3/2010 | Salser | | D23/266 |
| D632,372 | S * | 2/2011 | Govoni | | D23/262 |
| D639,398 | S * | 6/2011 | Wilhelm | | D23/262 |
| D642,244 | S * | 7/2011 | Wilhelm | | D23/262 |
| D648,835 | S * | 11/2011 | Ruot | | D23/259 |
| D649,240 | S * | 11/2011 | Lewis | | D24/129 |
| D650,478 | S * | 12/2011 | Lewis | | D24/129 |
| D654,573 | S * | 2/2012 | Lombardi | | D23/262 |
| D662,572 | S * | 6/2012 | Marquis-Martin | | D23/259 |
| D681,784 | S * | 5/2013 | Liljegren | | D23/262 |
| D685,906 | S * | 7/2013 | Dale | | D24/129 |
| 2006/0086921 | A1 * | 4/2006 | Ball | | E03B 9/025 251/148 |
| 2008/0143105 | A1 * | 6/2008 | Carey | | F16L 33/227 285/239 |
| 2011/0266790 | A1 * | 11/2011 | Abura | | F16L 37/23 285/148.21 |
| 2015/0000767 | A1 * | 1/2015 | Ball | | E03B 9/025 137/382 |

* cited by examiner

FIG. 1

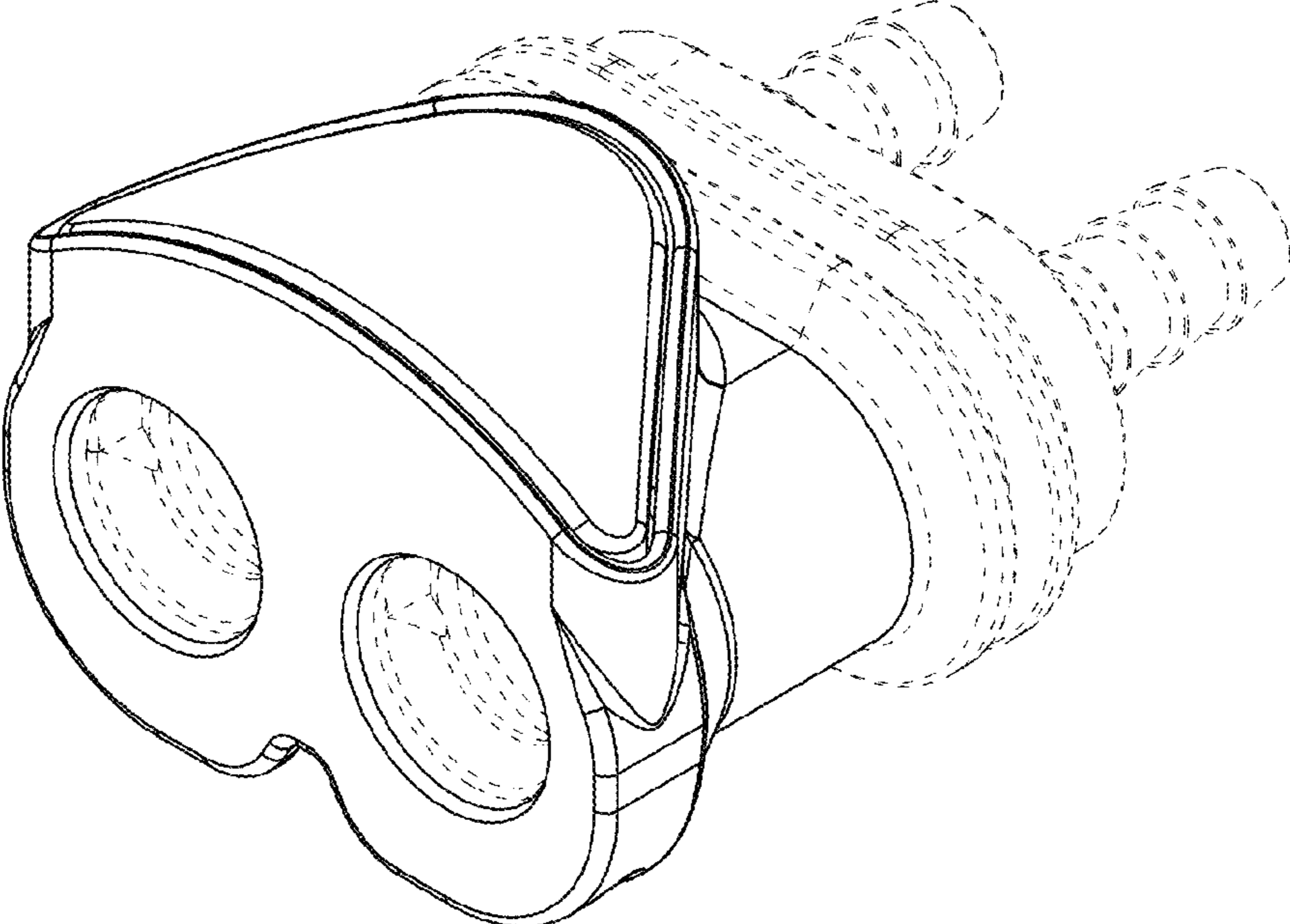


FIG. 2

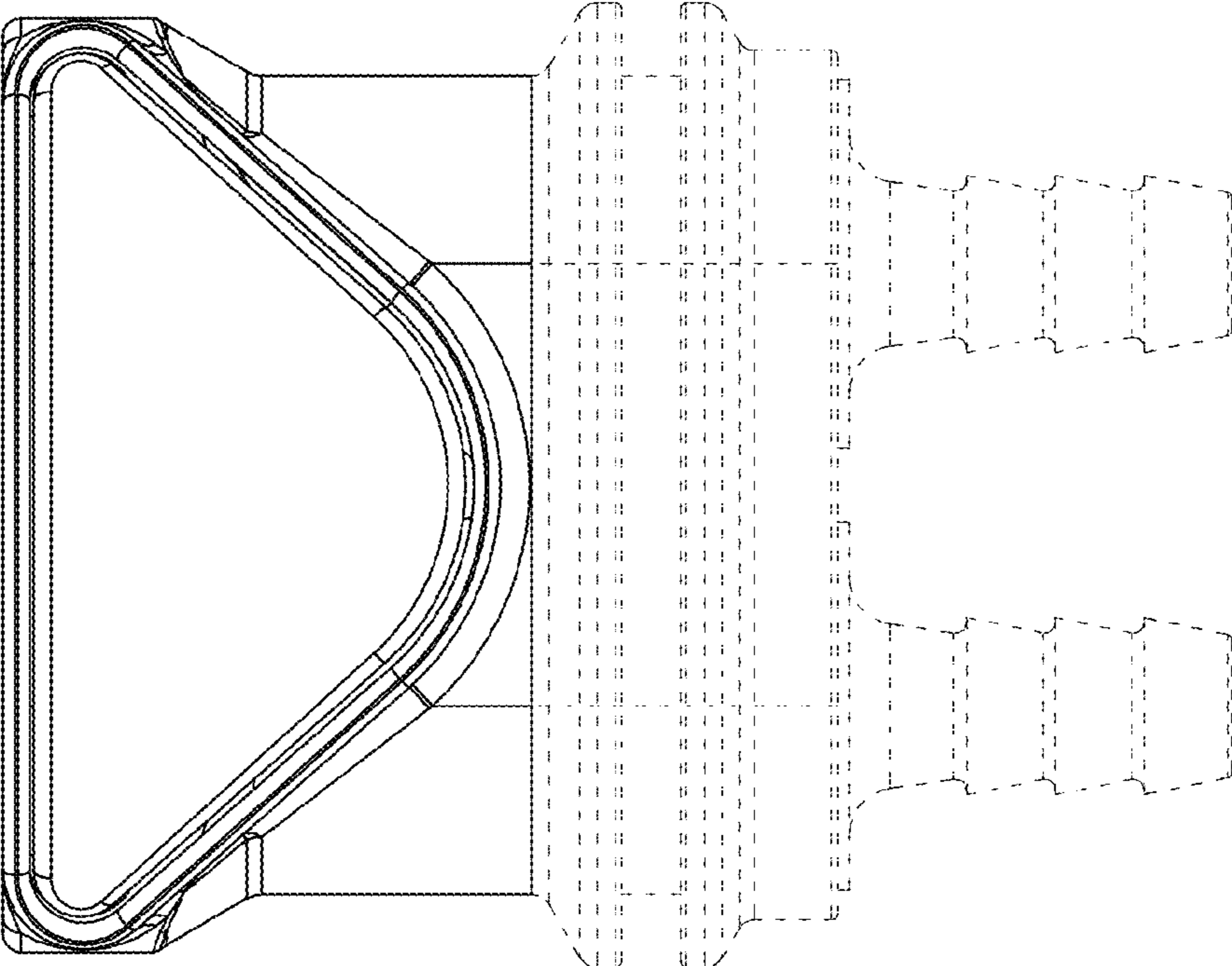


FIG. 3

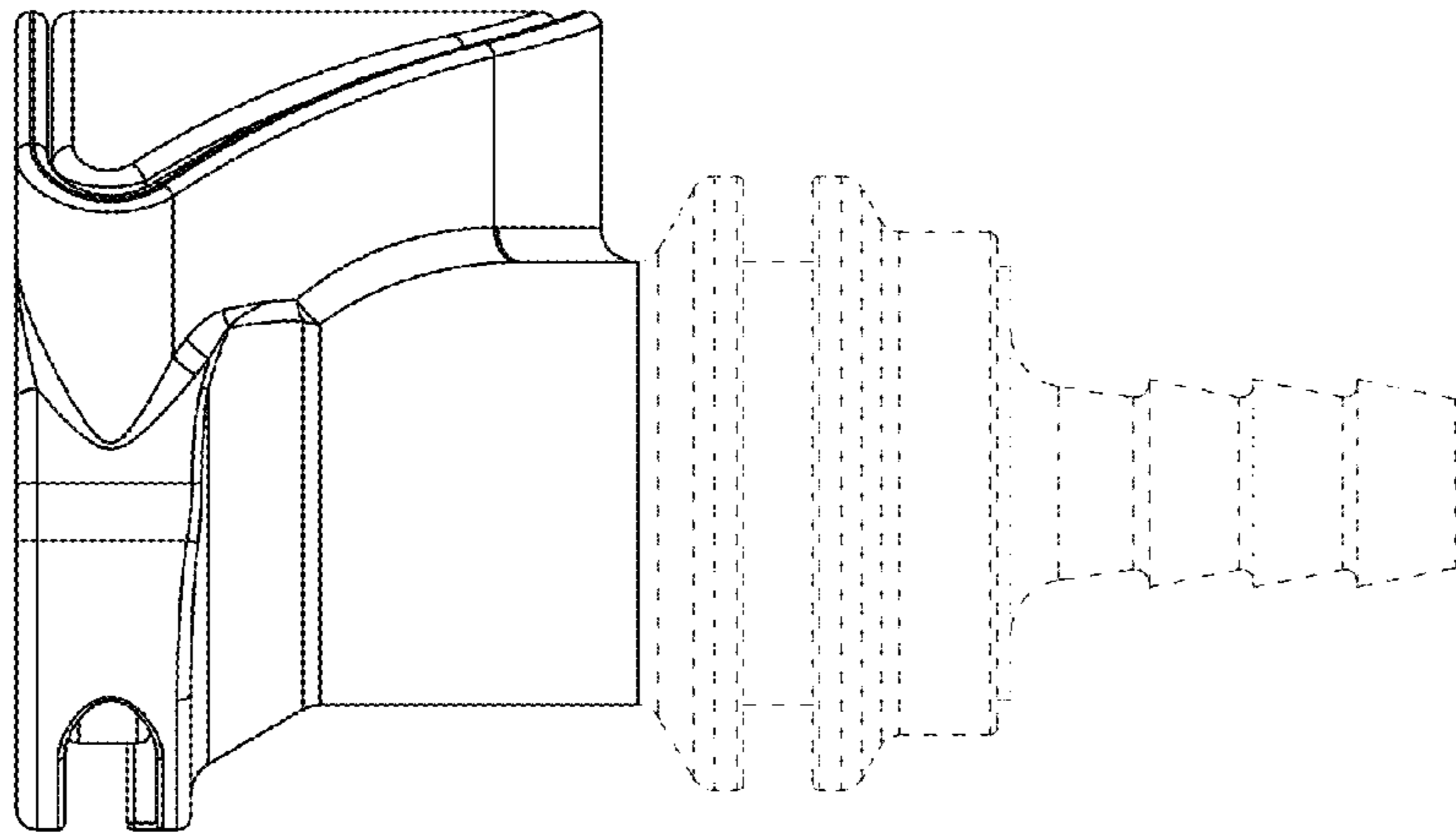


FIG. 4

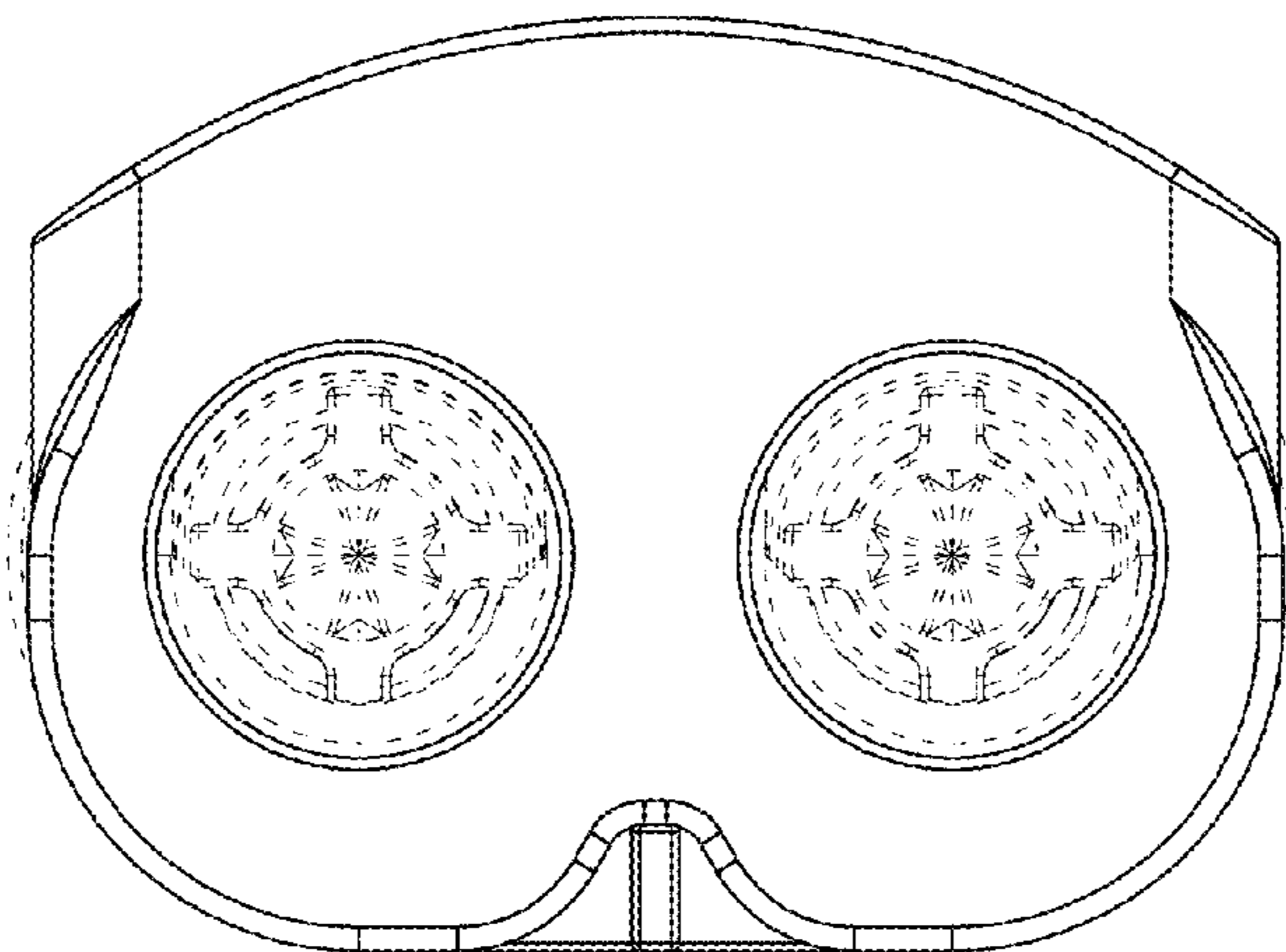


FIG. 5

