



US00D761394S

(12) **United States Design Patent**
Cushman et al.

(10) **Patent No.:** **US D761,394 S**
(45) **Date of Patent:** **** Jul. 12, 2016**

- (54) **MASKING PLUG**
- (71) Applicant: **Engineered Products and Services, Inc.**, Franksville, WI (US)
- (72) Inventors: **Chad M. Cushman**, Racine, WI (US); **Mario Lopez, Jr.**, Mt. Pleasant, WI (US); **Andrew W. Oniszczyk**, Pleasant Prairie, WI (US)
- (73) Assignee: **Engineered Products and Services, Inc.**, Franksville, WI (US)
- (**) Term: **14 Years**
- (21) Appl. No.: **29/498,168**
- (22) Filed: **Jul. 31, 2014**
- (51) **LOC (10) Cl.** **23-01**
- (52) **U.S. Cl.**
USPC **D23/260**
- (58) **Field of Classification Search**
USPC D23/259-266; D8/387
CPC F16K 27/065; F16K 5/08; F16K 11/083;
F16L 55/132; F16L 11/12; G01M 3/022;
B65D 59/06; B65D 39/12
See application file for complete search history.

- D318,102 S * 7/1991 Papai 285/239
- 6,062,263 A * 5/2000 Donovan F16B 25/0021
138/89
- 6,142,186 A * 11/2000 Donovan F16B 25/0021
138/89
- D451,174 S * 11/2001 Patteson D23/262
- D663,195 S * 7/2012 Bohnet D8/387
- D663,196 S * 7/2012 Bohnet D8/387
- D663,197 S * 7/2012 Bohnet D8/387
- D663,613 S * 7/2012 Bohnet D8/387
- D727,469 S * 4/2015 Jorgensen D23/260
- 2007/0175389 A1 * 8/2007 Husmann B05B 15/0481
118/504
- 2010/0037969 A1 * 2/2010 Fierst F16L 1/11
138/89
- 2012/0155599 A1 * 6/2012 Sprague F16L 55/132
376/392
- 2014/0299043 A1 * 10/2014 Igarashi G01B 3/36
116/208
- 2015/0190836 A1 * 7/2015 Deck B05B 15/0462
156/293

* cited by examiner

Primary Examiner — John Windmuller

Assistant Examiner — Steven Czyz

(74) *Attorney, Agent, or Firm* — Michael Best & Friedrich LLP

(57) **CLAIM**

We claim the ornamental design for a masking plug, as shown and described.

(56) **References Cited**

U.S. PATENT DOCUMENTS

- 1,851,127 A * 3/1932 Moore B23G 7/00
470/10
- D158,338 S * 4/1950 Szitar et al. D23/245
- 3,064,355 A * 11/1962 Herman G01B 3/48
33/199 R
- 3,289,875 A * 12/1966 Delamater F16L 55/13
138/89
- 3,326,243 A * 6/1967 Augustus F16L 55/1286
138/90

DESCRIPTION

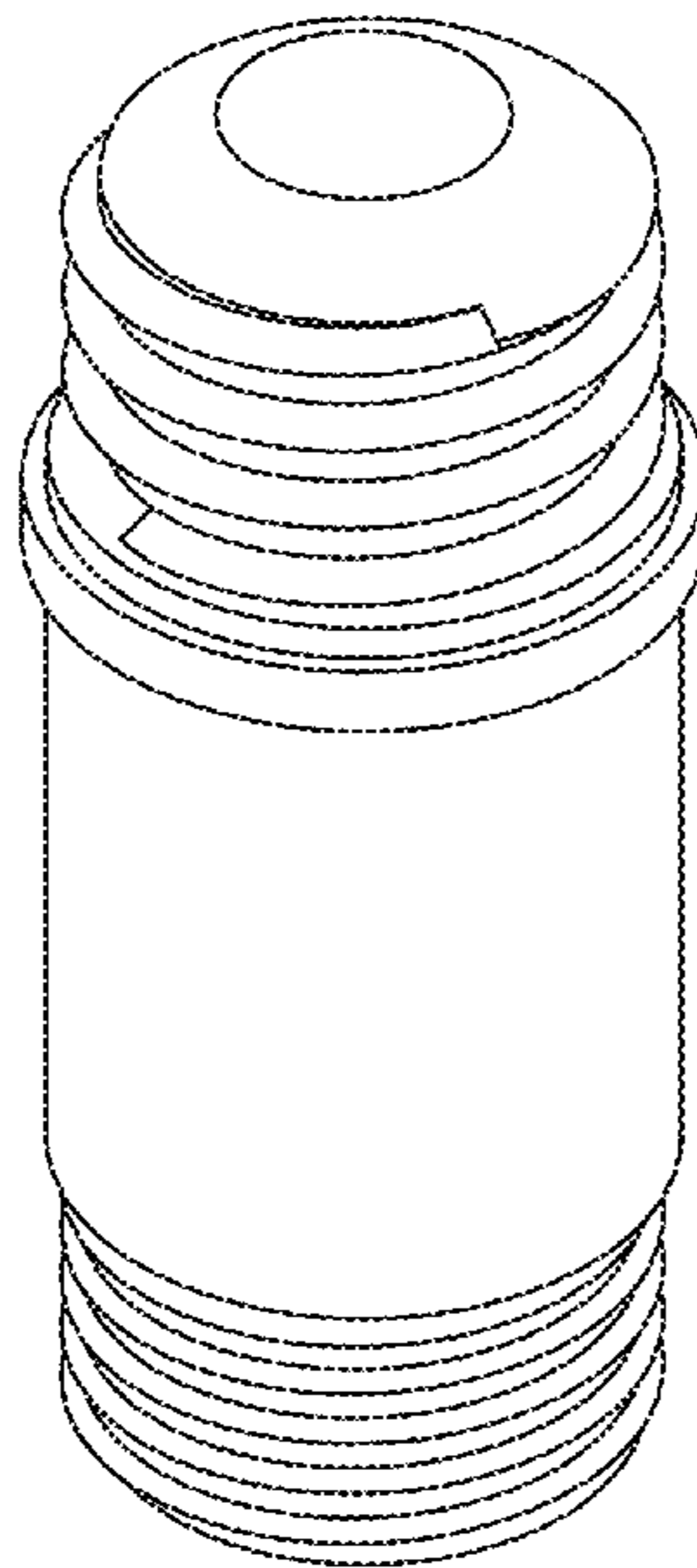
FIG. 1 is a perspective view of a masking plug embodying the invention.

FIG. 2 is a top view of the masking plug of FIG. 1.

FIG. 3 is a side view of the masking plug of FIG. 1; and,

FIG. 4 is a bottom view of the masking plug of FIG. 1.

1 Claim, 2 Drawing Sheets



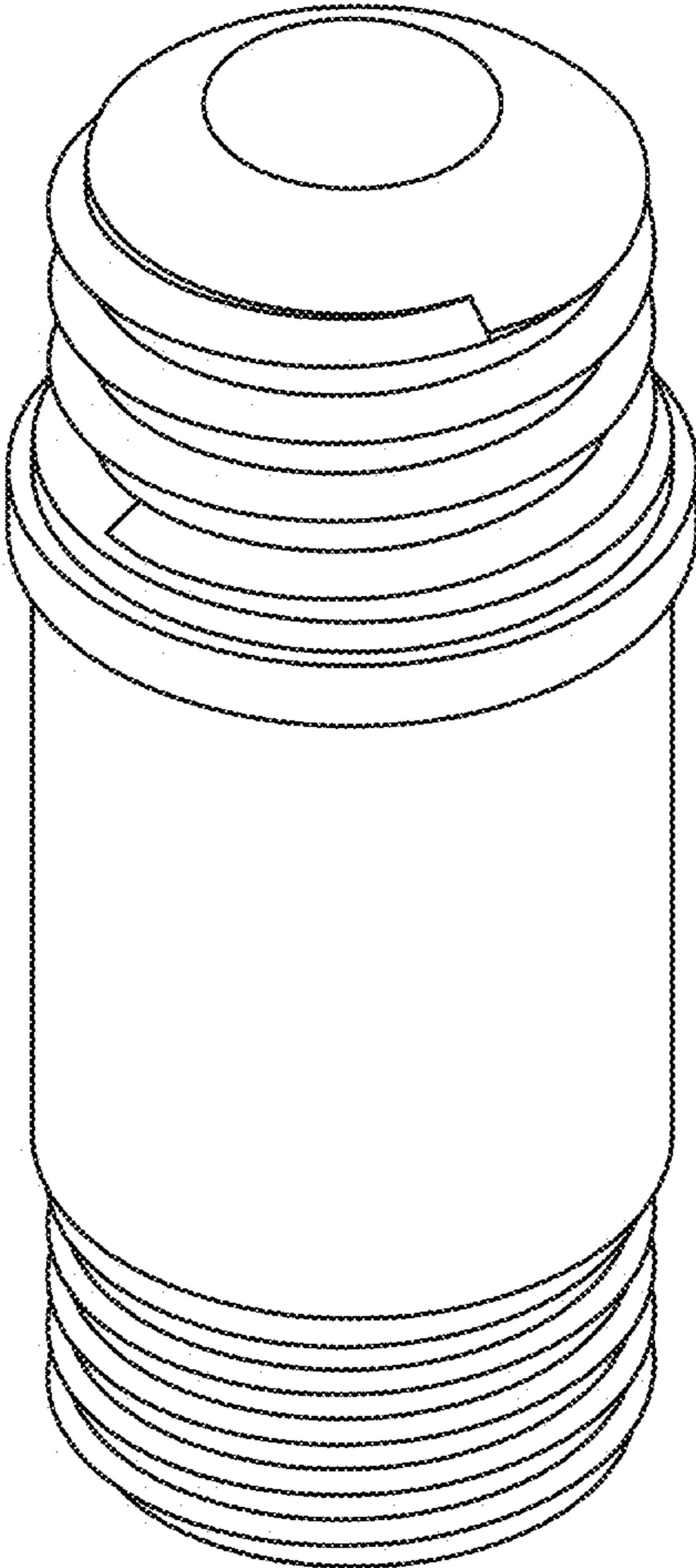


FIG. 1

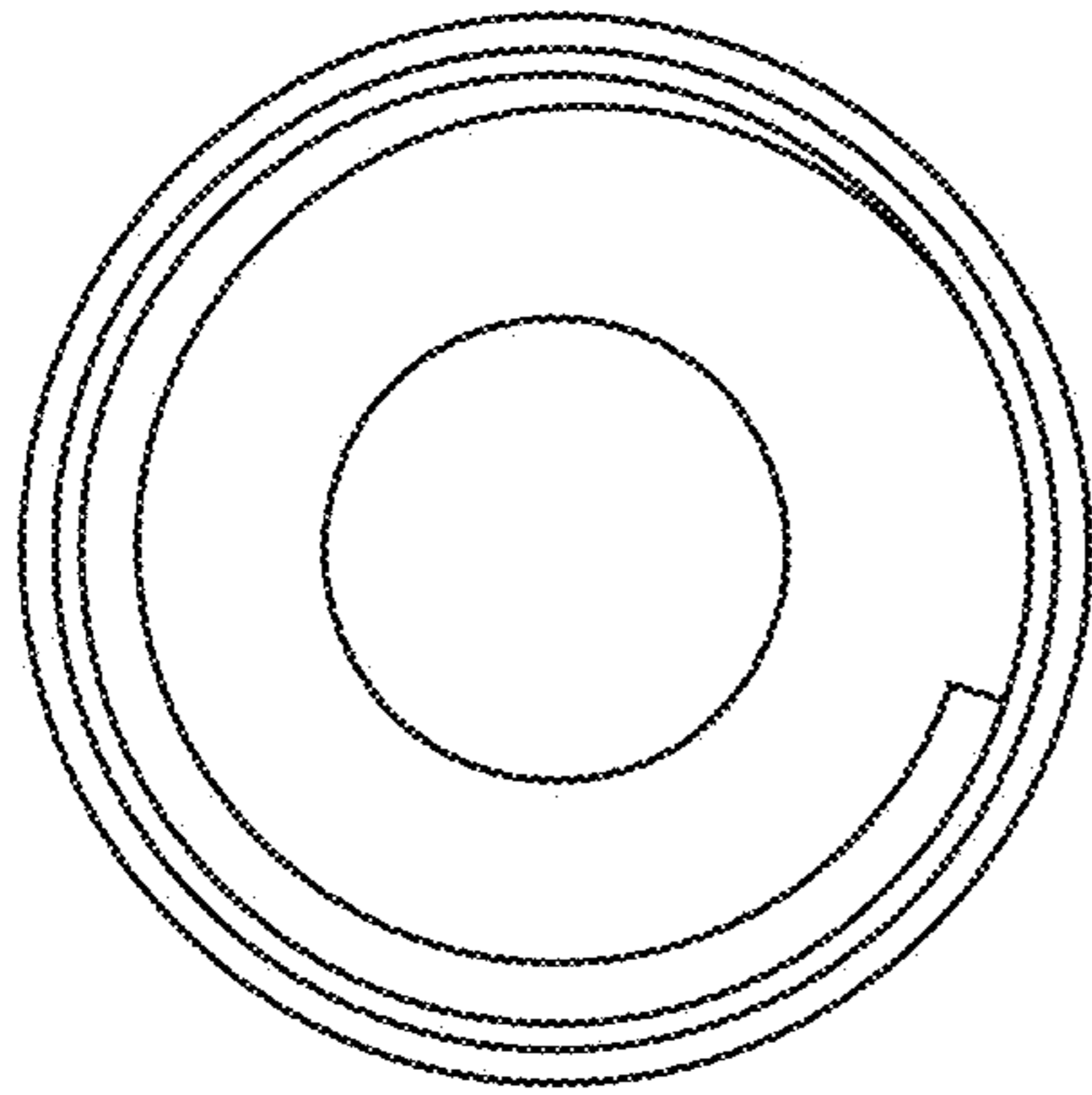


FIG. 2

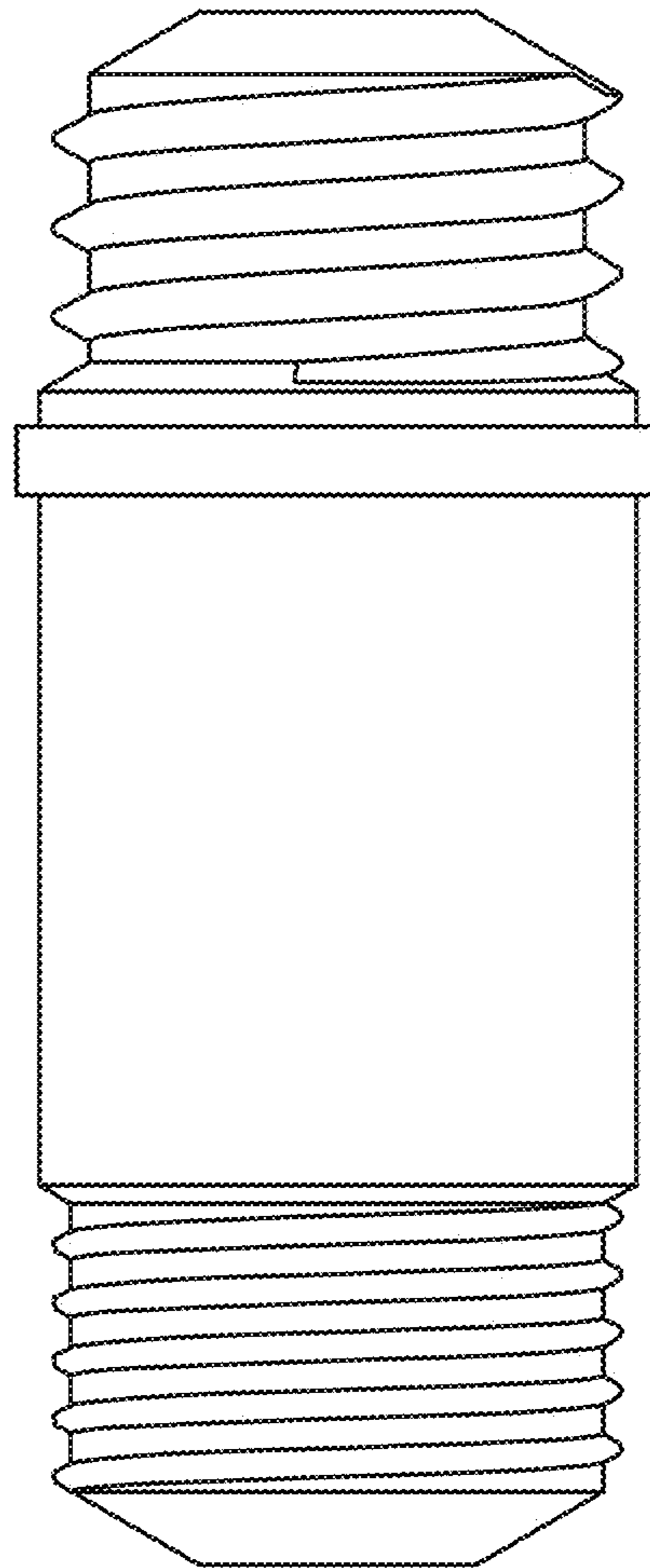


FIG. 3

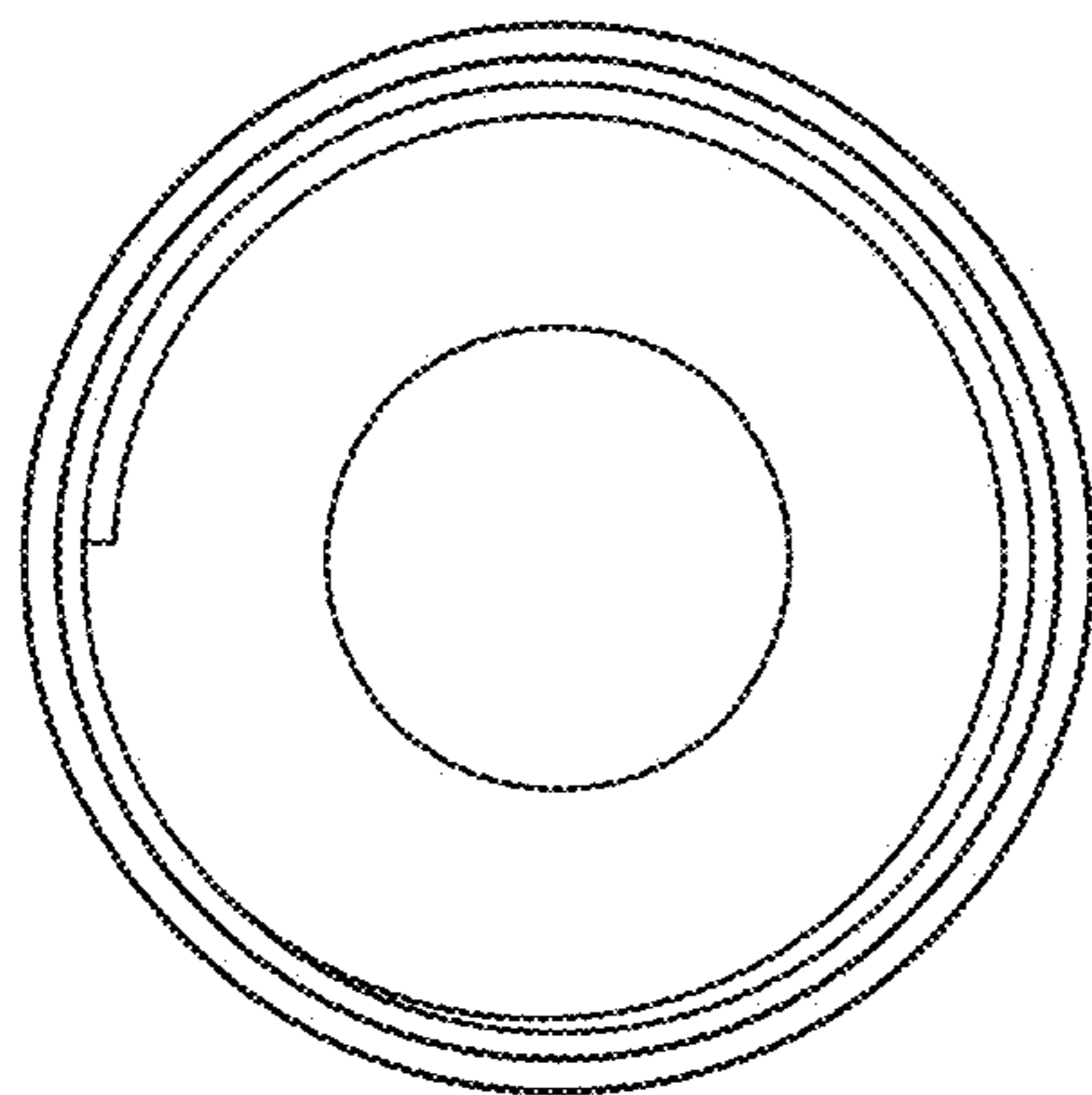


FIG. 4