



US00D761391S

(12) **United States Design Patent**
Schoenherr et al.

(10) **Patent No.:** **US D761,391 S**
(45) **Date of Patent:** **** Jul. 12, 2016**

(54) **SHOWER CONTROL**

(71) Applicant: **Hansgrohe SE**, Schiltach (DE)

(72) Inventors: **Tom Schoenherr**, Stuttgart (DE); **Marco Flaig**, Stuttgart (DE)

(73) Assignee: **Hansgrohe SE**, Schiltach (DE)

(**) Term: **15 Years**

(21) Appl. No.: **29/529,319**

(22) Filed: **Jun. 5, 2015**

(30) **Foreign Application Priority Data**

Dec. 10, 2014 (EM) 002594630-0009

(51) **LOC (10) Cl.** **23-02**

(52) **U.S. Cl.**
USPC **D23/255**; D23/254

(58) **Field of Classification Search**
USPC D23/238, 241–243, 249, 250, 252,
D23/254–255, 257

CPC E03C 1/04; E03C 1/0401; E03C 1/0402;
E03C 1/0404

See application file for complete search history.

(56) **References Cited**

U.S. PATENT DOCUMENTS

D493,210 S * 7/2004 Citterio D23/238
D509,564 S * 9/2005 Jorgensen D23/238
D617,877 S * 6/2010 Bouroullec D23/238
D677,364 S * 3/2013 Schoenherr D23/238

* cited by examiner

Primary Examiner — Robert Delehanty

(74) *Attorney, Agent, or Firm* — Lora J. Graentzdoerffer

(57) **CLAIM**

The ornamental design for a shower control, as shown and described.

DESCRIPTION

FIG. 1 is a perspective view of a shower control showing our design;

FIG. 2 is a front elevation view;

FIG. 3 is a rear elevation view;

FIG. 4 is a right side elevation view;

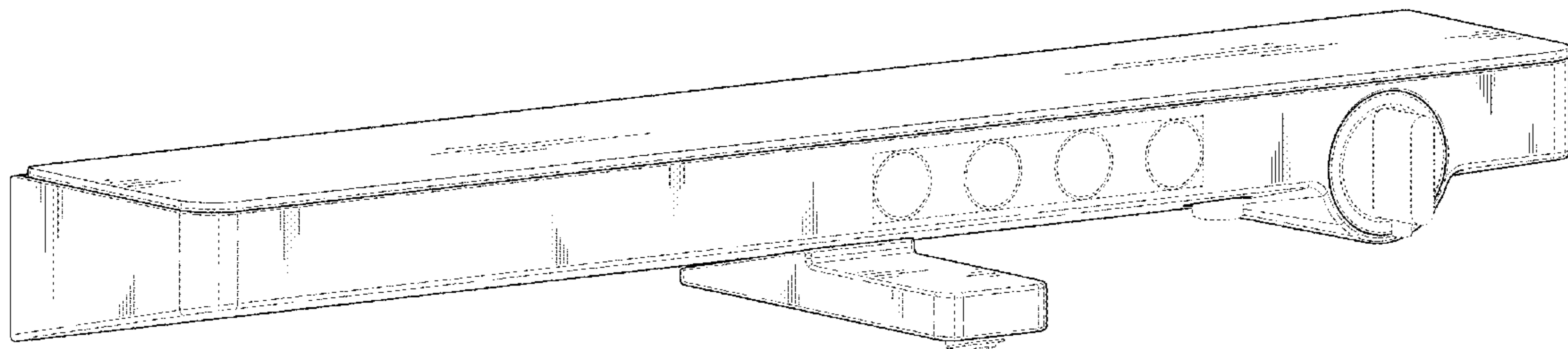
FIG. 5 is a left side elevation view;

FIG. 6 is a top plan view; and,

FIG. 7 is a bottom plan view.

The broken-line disclosure in the views represents portions of the shower control in which the claimed design is embodied, but which form no part of the claimed design.

1 Claim, 7 Drawing Sheets



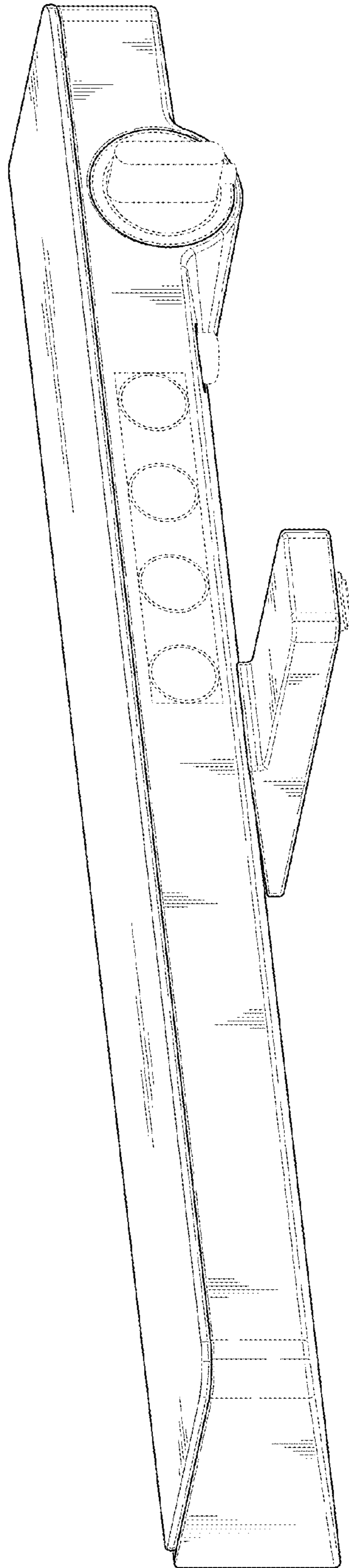


FIG. 1

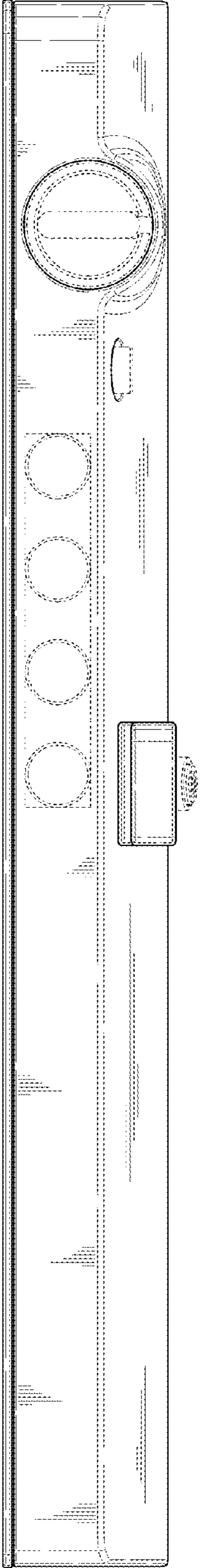


FIG. 2

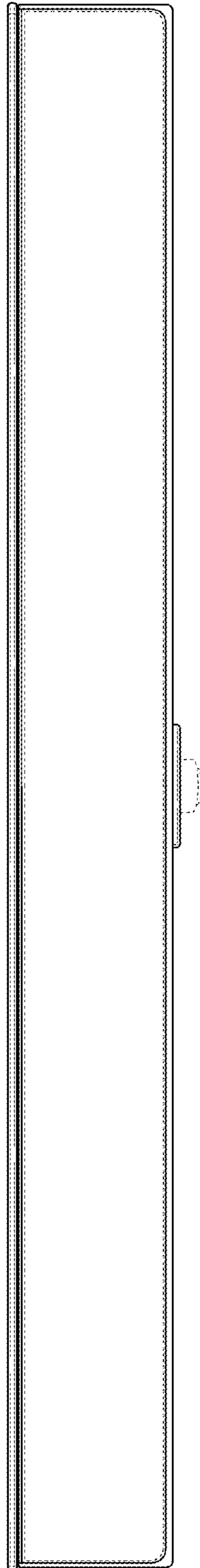


FIG. 3

FIG. 4

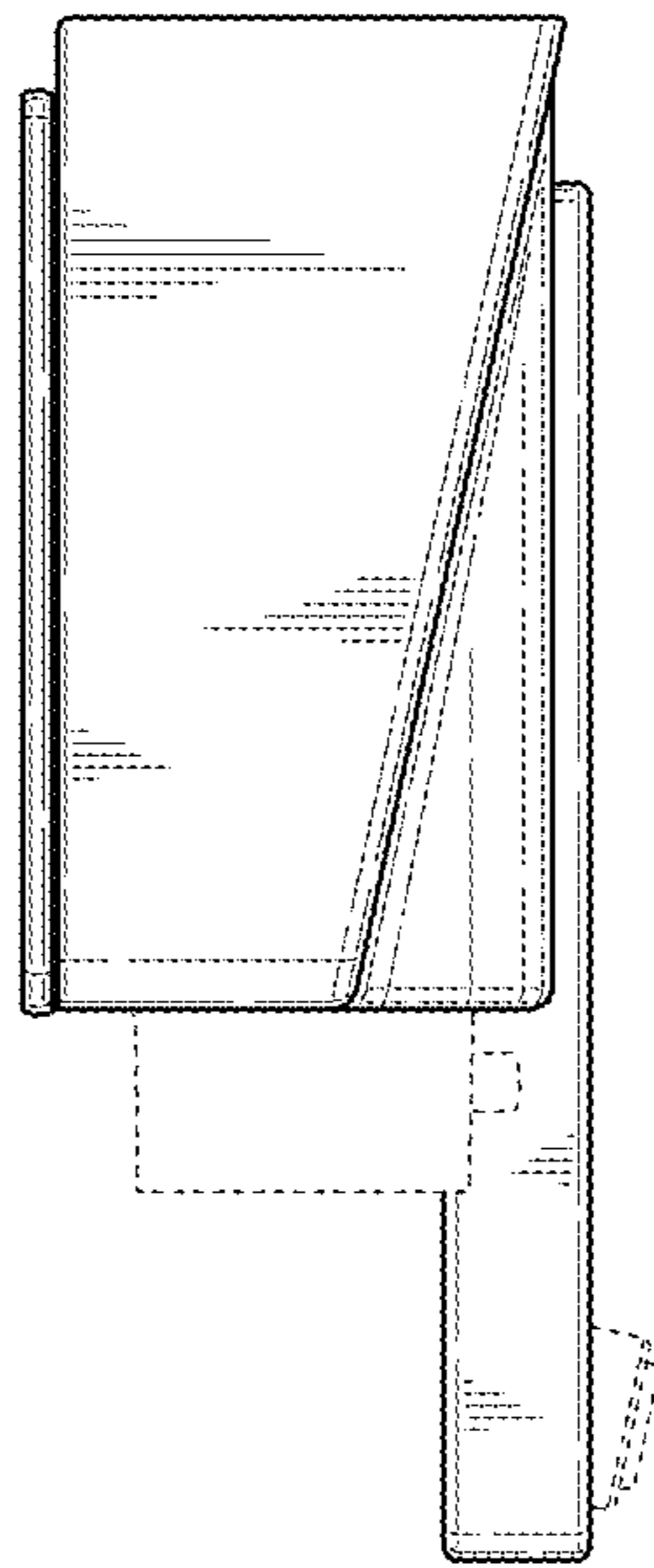


FIG. 5

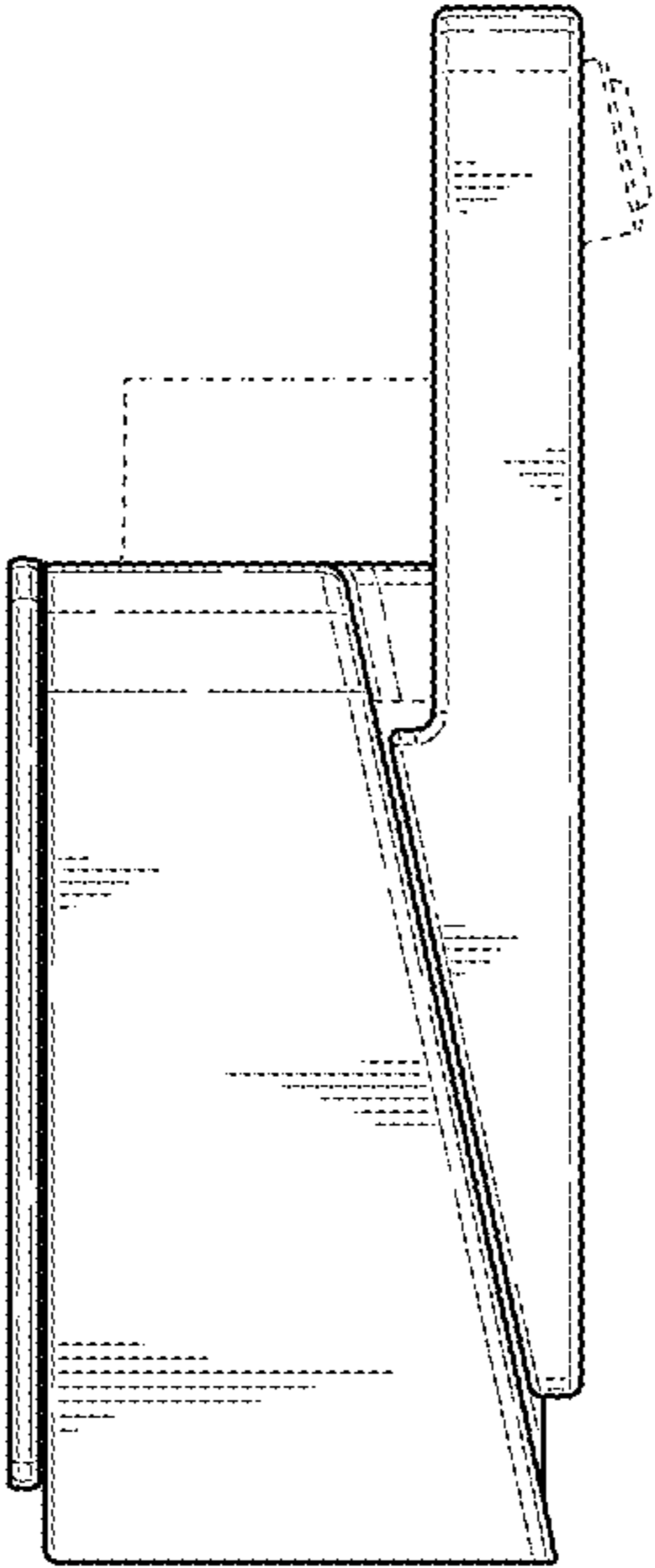
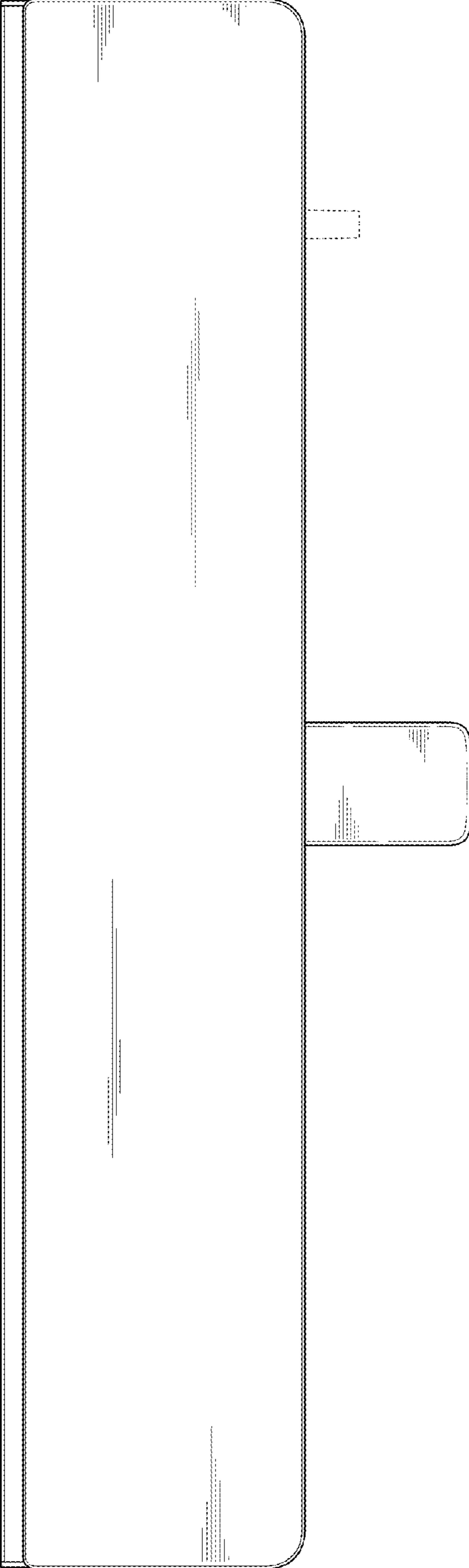


FIG. 6



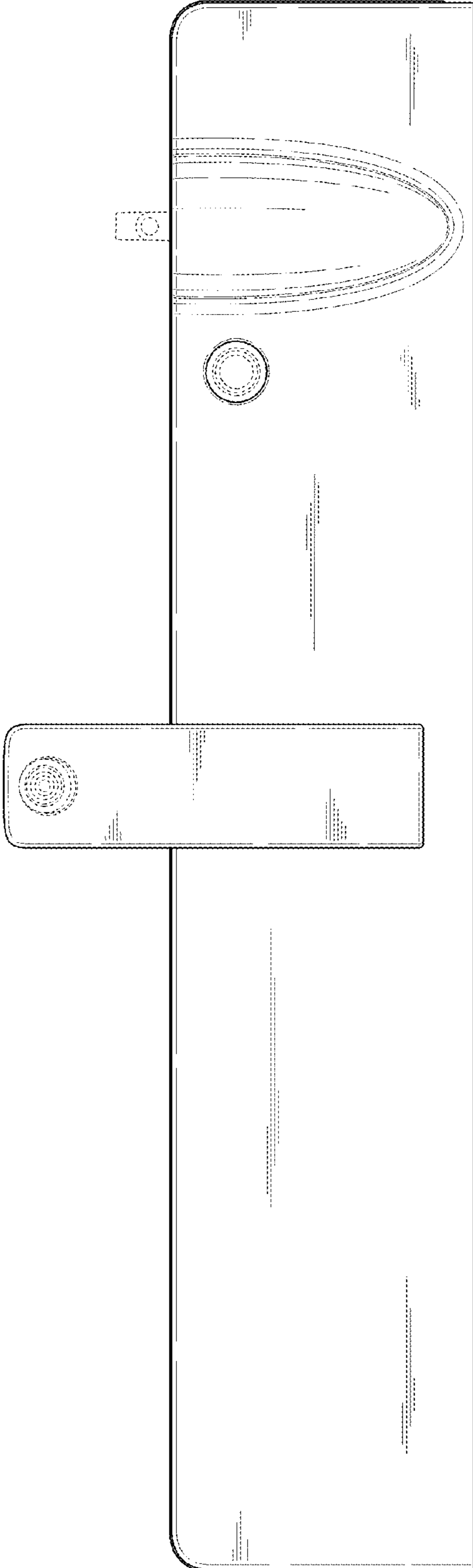


FIG. 7