



US00D761390S

(12) **United States Design Patent**
Chen

(10) **Patent No.:** **US D761,390 S**
(45) **Date of Patent:** **** Jul. 12, 2016**

(54) **SENSOR ASSEMBLY FOR TOUCH-FREE WATER-CONTROL APPARATUS**

(71) Applicant: **Chung-Chia Chen**, La Habra Heights, CA (US)

(72) Inventor: **Chung-Chia Chen**, La Habra Heights, CA (US)

(**) Term: **14 Years**

(21) Appl. No.: **29/509,094**

(22) Filed: **Nov. 13, 2014**

Related U.S. Application Data

(63) Continuation of application No. 29/479,788, filed on Jan. 20, 2014, now Pat. No. Des. 735,300, which is a

(Continued)

(51) **LOC (10) Cl.** **23-01**

(52) **U.S. Cl.**
USPC **D23/255**

(58) **Field of Classification Search**

USPC D23/238, 249, 250, 252, 255, 257

CPC E03C 1/04; E03C 1/0401; E03C 1/0402;

E03C 1/0404; E03C 2001/0415

See application file for complete search history.

(56) **References Cited**

U.S. PATENT DOCUMENTS

D315,397 S 3/1991 Knapp
D317,971 S 7/1991 Sauter et al.

(Continued)

FOREIGN PATENT DOCUMENTS

CN 2584985 11/2003
CN 2906258 5/2007

OTHER PUBLICATIONS

U.S. Appl. No. 14/479,165, filed Sep. 5, 2014, Chen, Including its prosecution history.

(Continued)

Primary Examiner — Robert Delehanty

(74) *Attorney, Agent, or Firm* — Knobbe Martens Olson & Bear, LLP

(57) **CLAIM**

I claim the ornamental design for a sensor assembly for touch-free water-control apparatus, as shown and described.

DESCRIPTION

FIG. 1 is a perspective view of a sensor assembly for touch-free water-control apparatus showing my new design;

FIG. 2 is a front elevation view thereof;

FIG. 3 is a rear elevation view thereof;

FIG. 4 is a right elevation view thereof;

FIG. 5 is a left elevation view thereof;

FIG. 6 is a top plan view thereof;

FIG. 7 is a bottom plan view thereof.

FIG. 8 is a perspective view thereof;

FIG. 9 is a front elevation view thereof;

FIG. 10 is a rear elevation view thereof;

FIG. 11 is a right elevation view thereof;

FIG. 12 is a left elevation view thereof;

FIG. 13 is a top plan view thereof;

FIG. 14 is a bottom plan view thereof;

FIG. 15 is a perspective view thereof;

FIG. 16 is a front elevation view thereof;

FIG. 17 is a rear elevation view thereof;

FIG. 18 is a right elevation view thereof;

FIG. 19 is a left elevation view thereof;

FIG. 20 is a top plan view thereof;

FIG. 21 is a bottom plan view thereof;

FIG. 22 is a perspective view thereof;

FIG. 23 is a front elevation view thereof;

FIG. 24 is a rear elevation view thereof;

FIG. 25 is a right elevation view thereof;

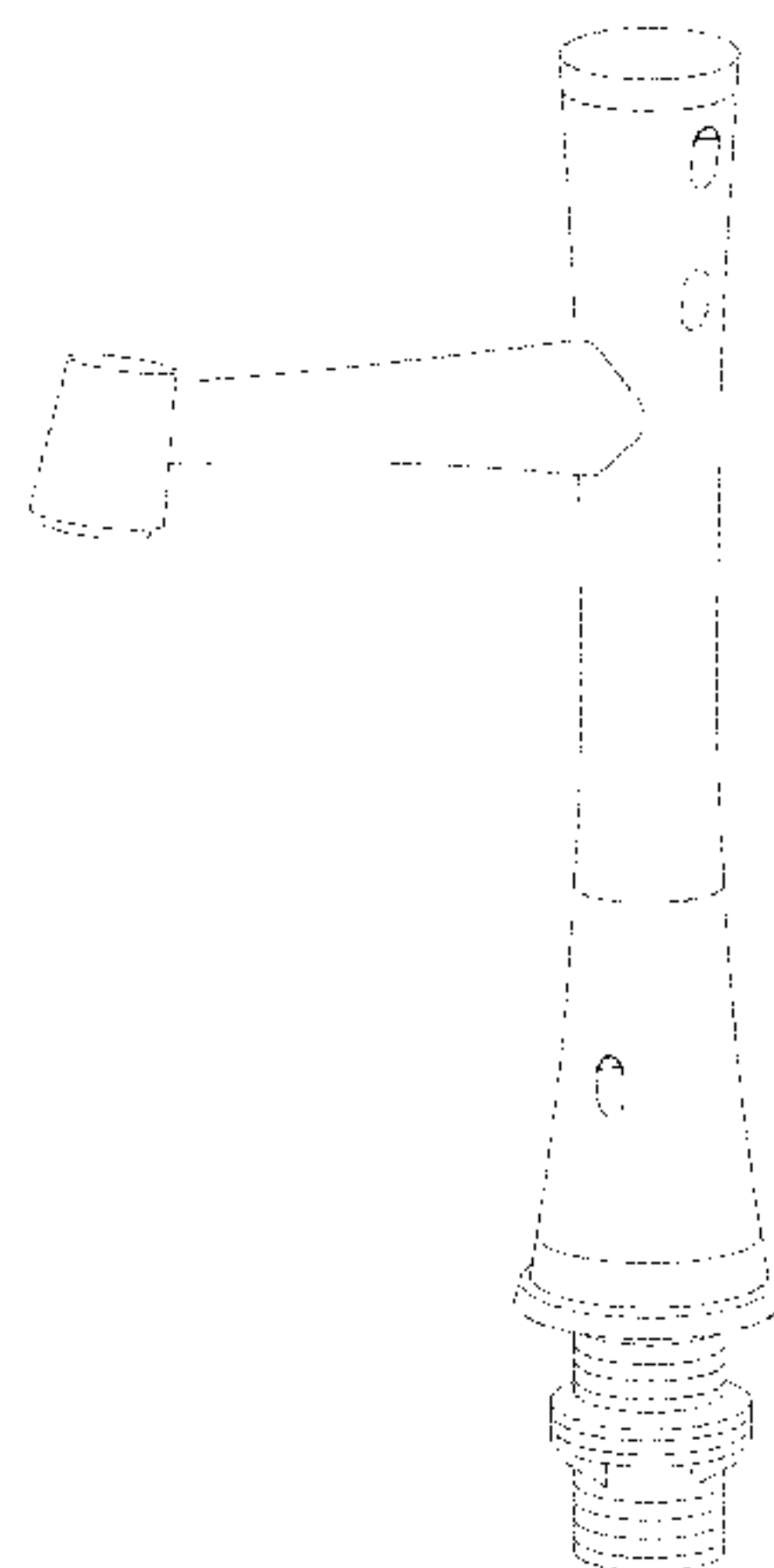
FIG. 26 is a left elevation view thereof;

FIG. 27 is a top plan view thereof; and,

FIG. 28 is a bottom plan view thereof.

The broken lines showing a portion of the water-control apparatus are included for the purpose of illustrating a portion of the water-control apparatus that forms no part of the claimed design.

1 Claim, 16 Drawing Sheets



Related U.S. Application Data

continuation of application No. 29/461,637, filed on Jul. 25, 2013, now Pat. No. Des. 698,013, which is a continuation of application No. 29/447,315, filed on Mar. 1, 2013, now Pat. No. Des. 689,596, which is a continuation of application No. 29/402,670, filed on Sep. 26, 2011, now Pat. No. Des. 677,367.

(56)

References Cited

U.S. PATENT DOCUMENTS

D352,095 S 11/1994 Bollenbacher
 5,548,119 A 8/1996 Nortier
 5,549,273 A 8/1996 Aharon
 5,566,702 A 10/1996 Philipp
 5,625,908 A 5/1997 Shaw
 5,694,653 A 12/1997 Harald
 5,781,942 A 7/1998 Allen et al.
 5,868,311 A 2/1999 Cretu-Petra
 5,966,753 A 10/1999 Gauthier et al.
 6,019,130 A 2/2000 Rump
 6,298,875 B1 10/2001 Warshawsky et al.
 6,321,785 B1 11/2001 Bergmann
 6,513,787 B1 2/2003 Jeromson et al.
 6,598,245 B2 7/2003 Nishioka
 6,753,554 B1 6/2004 Gomes et al.
 6,996,863 B2 2/2006 Kaneko
 D516,675 S 3/2006 Kakihana
 7,107,631 B2 9/2006 Lang et al.
 7,134,451 B1 11/2006 Malapanes
 D534,622 S 1/2007 Chu et al.
 D535,366 S 1/2007 Sedwick
 7,174,577 B2 2/2007 Jost et al.
 7,228,874 B2 6/2007 Bolderheij et al.
 7,326,334 B2 2/2008 Boyd et al.
 D592,286 S 5/2009 Berberet
 D602,125 S 10/2009 Montgomery et al.
 7,641,173 B2 1/2010 Goodman
 D610,653 S 2/2010 Schoenherr et al.
 7,766,026 B2 8/2010 Boey
 7,784,481 B2 8/2010 Kunkel
 7,946,504 B2 5/2011 Shapira et al.
 8,006,712 B2 8/2011 Boey
 8,028,355 B2 10/2011 Reeder et al.
 D677,366 S 3/2013 Chen

D677,367 S 3/2013 Chen
 8,418,993 B2 4/2013 Chen
 8,438,672 B2 5/2013 Reeder et al.
 8,516,628 B2 8/2013 Conroy
 D689,596 S 9/2013 Chen
 D692,110 S 10/2013 Chen
 8,572,772 B2 11/2013 Wolf et al.
 D698,013 S 1/2014 Chen
 D701,947 S 4/2014 Chen
 D704,311 S 5/2014 Chen
 D707,798 S 6/2014 Chen
 8,827,239 B2 9/2014 Chen
 8,827,240 B2 9/2014 Chen
 9,062,790 B2 6/2015 Esche et al.
 2006/0016902 A1 1/2006 Restivo, Sr. et al.
 2007/0057215 A1 3/2007 Parsons et al.
 2007/0170384 A1 7/2007 Goodman
 2007/0239143 A1 10/2007 Altshuler et al.
 2008/0156017 A1 7/2008 Johnson et al.
 2008/0256494 A1 10/2008 Greenfield
 2009/0014654 A1 1/2009 Zhevelev et al.
 2009/0056011 A1 3/2009 Wolf et al.
 2009/0119832 A1 5/2009 Conroy
 2009/0288712 A1 11/2009 Lang et al.
 2010/0108165 A1 5/2010 Rodenbeck et al.
 2011/0185493 A1 8/2011 Chen
 2011/0186161 A1 8/2011 Chen
 2012/0055557 A1 3/2012 Belz et al.
 2013/0233387 A1 9/2013 Bedolla et al.
 2013/0248617 A1 9/2013 Sawaski et al.
 2013/0269799 A1 10/2013 Swist
 2014/0261749 A1 9/2014 Chen
 2014/0290774 A1 10/2014 Chung
 2015/0101122 A1 4/2015 Chung

OTHER PUBLICATIONS

U.S. Appl. No. 29/489,462, filed May 1, 2014, Chen, Including its prosecution history.
 U.S. Appl. No. 29/479,788, filed Jan. 20, 2014, Chen, Including its prosecution history.
 U.S. Appl. No. 29/509,093, filed Nov. 13, 2014, Chen, Including its prosecution history.
 U.S. Appl. No. 14/728,868, filed Jun. 2, 2015, Chen, Including its prosecution history.
 U.S. Appl. No. 14/734,819, filed Jun. 9, 2015, Chen, Including its prosecution history.

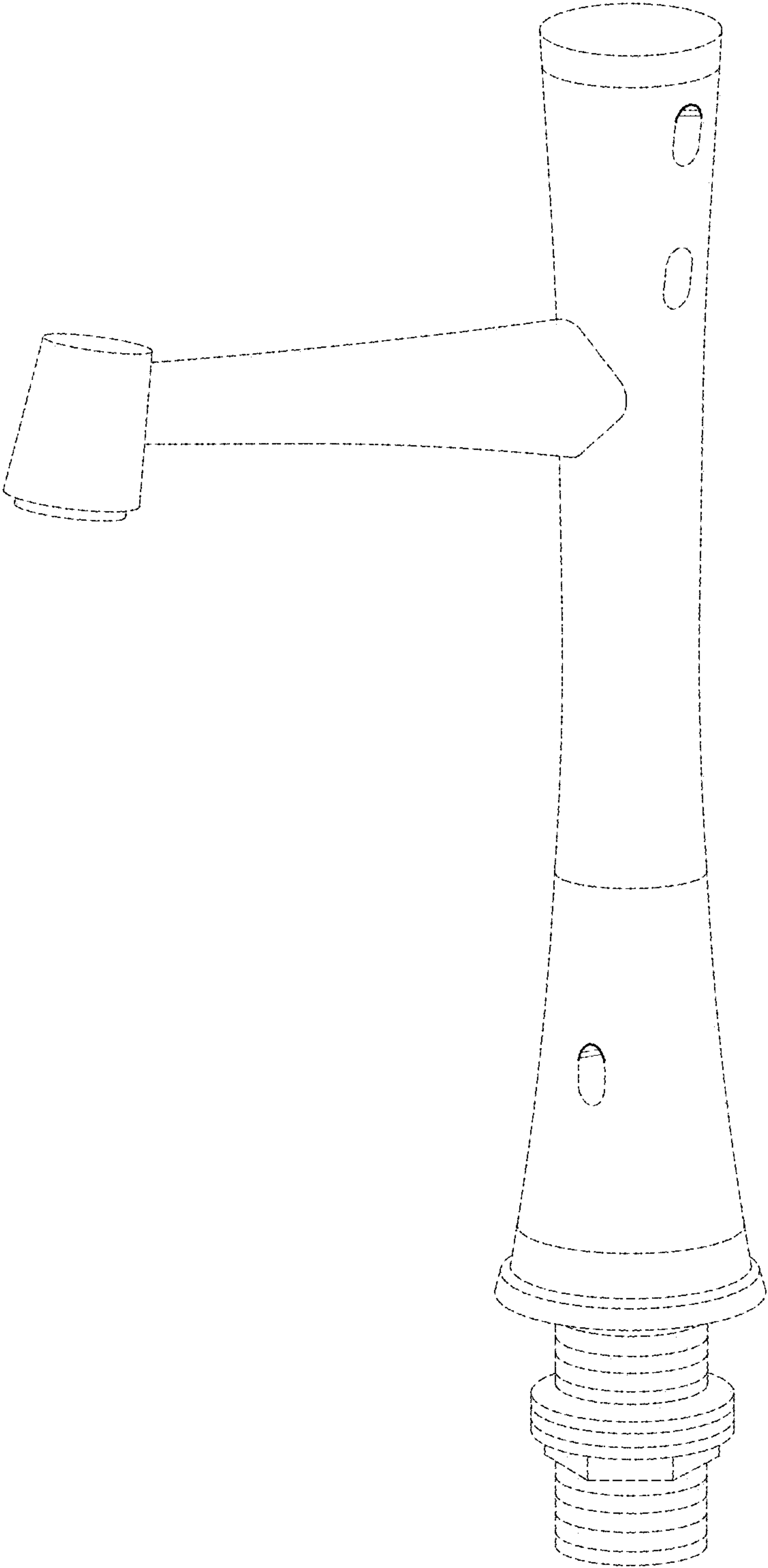


FIG. 1

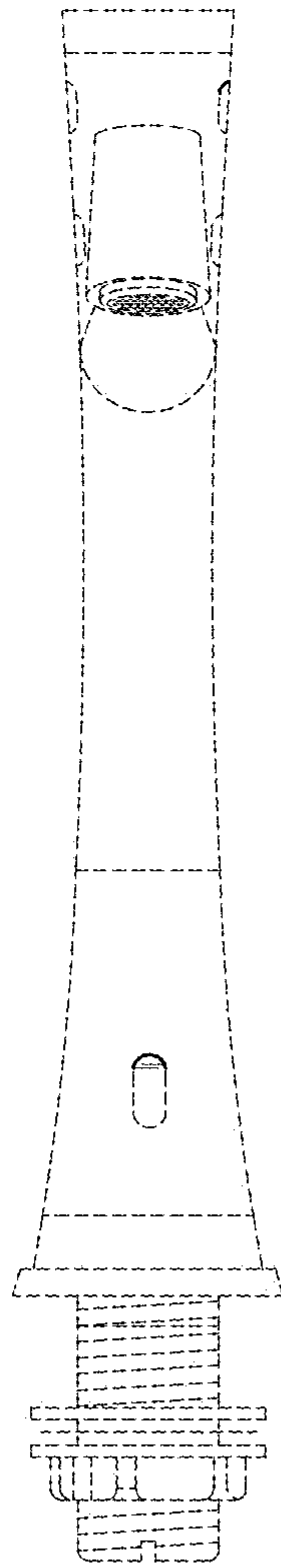


FIG. 2

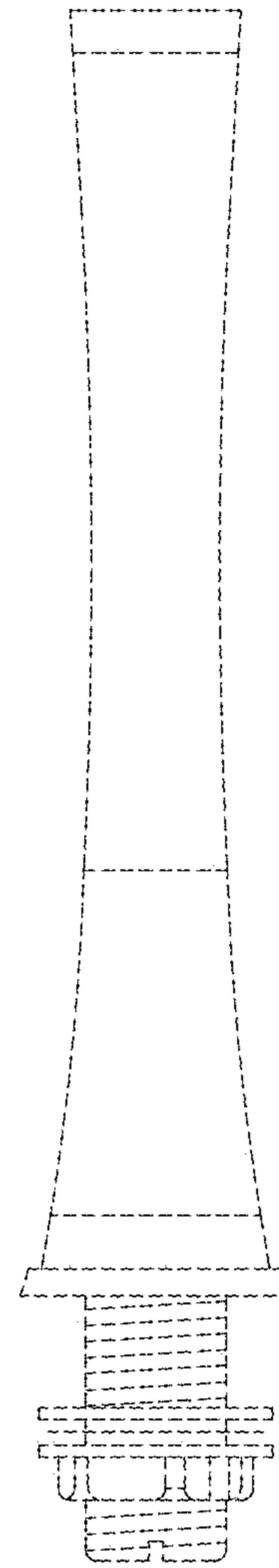


FIG. 3

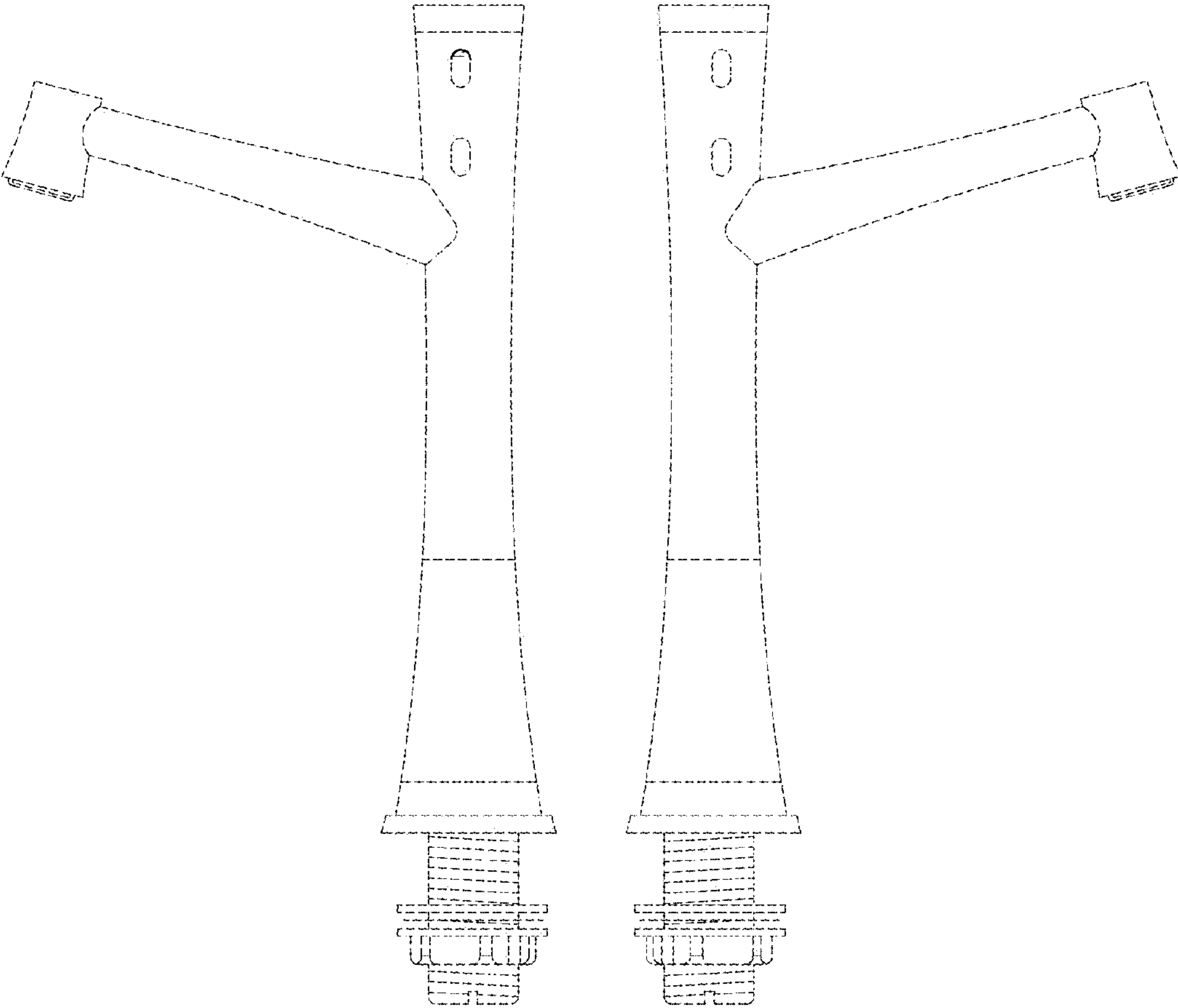


FIG. 4

FIG. 5

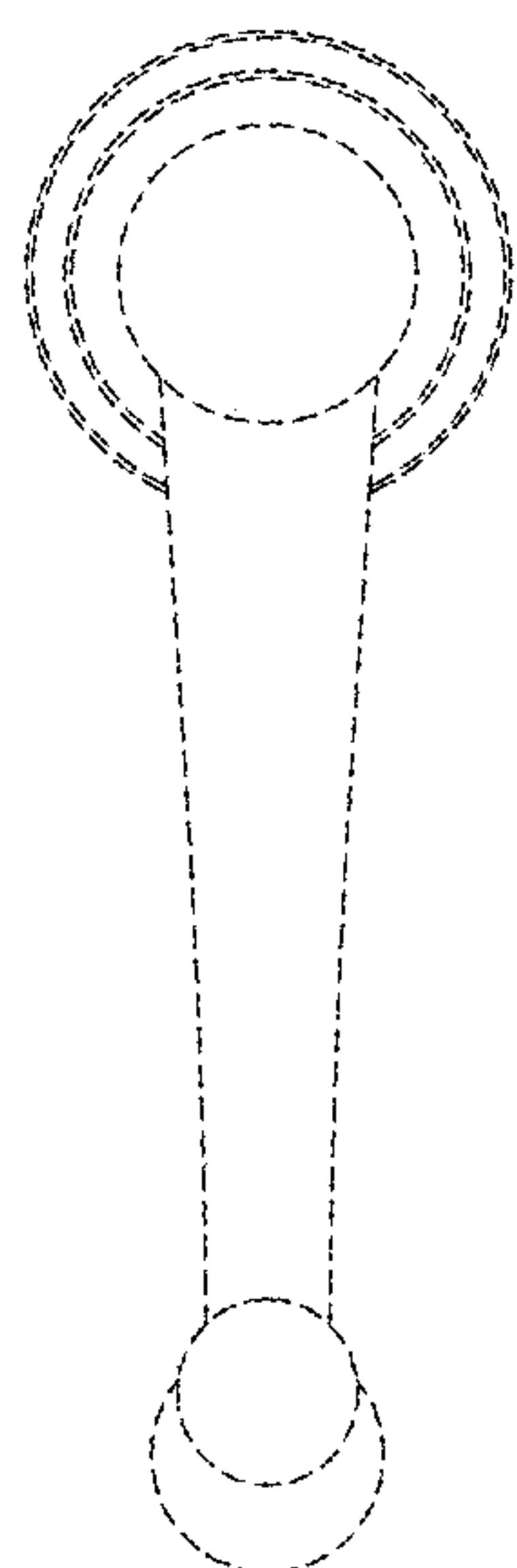


FIG. 6

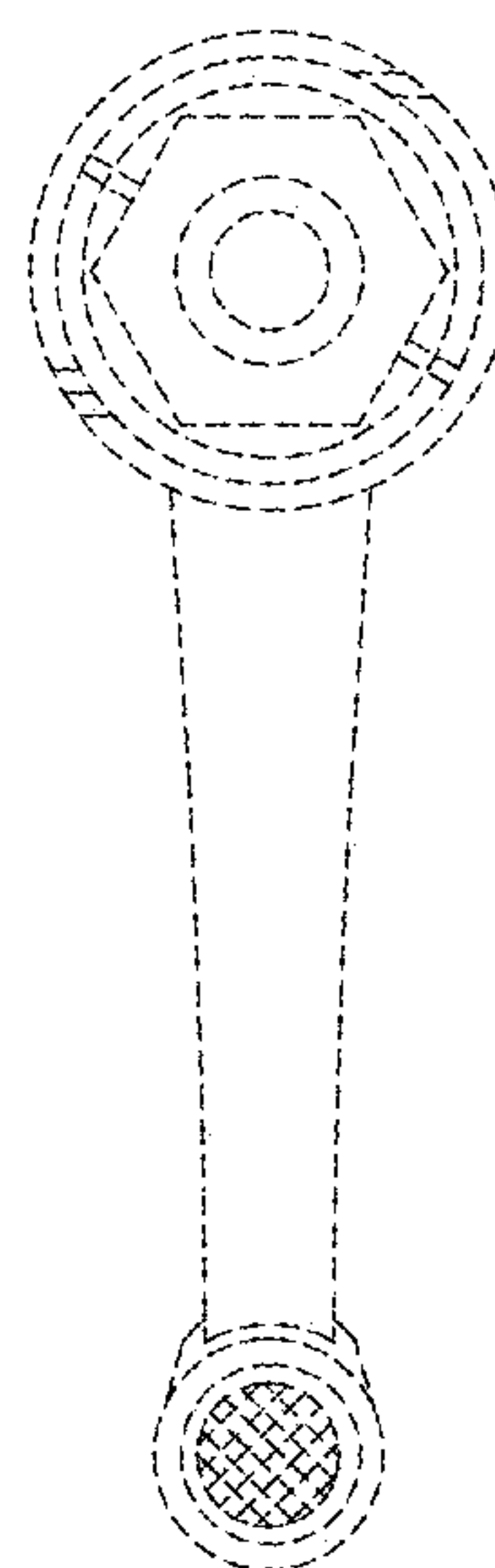


FIG. 7

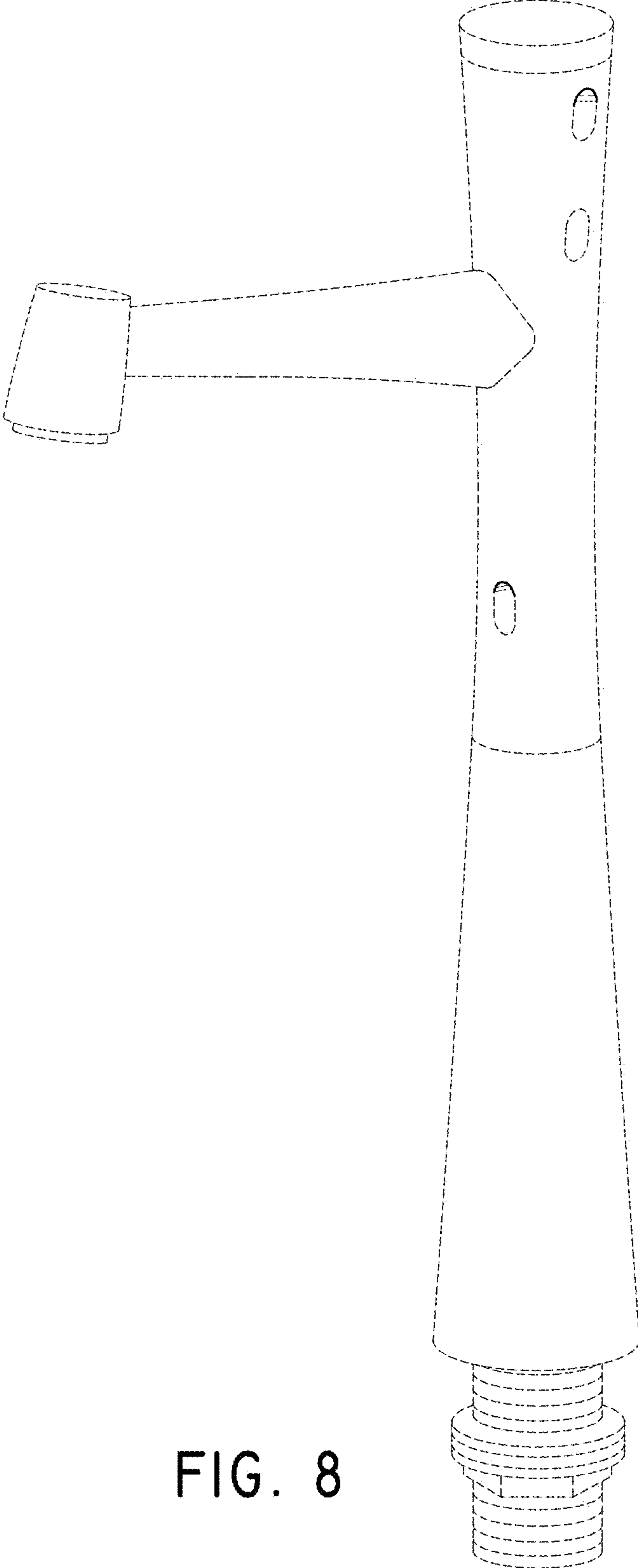


FIG. 8

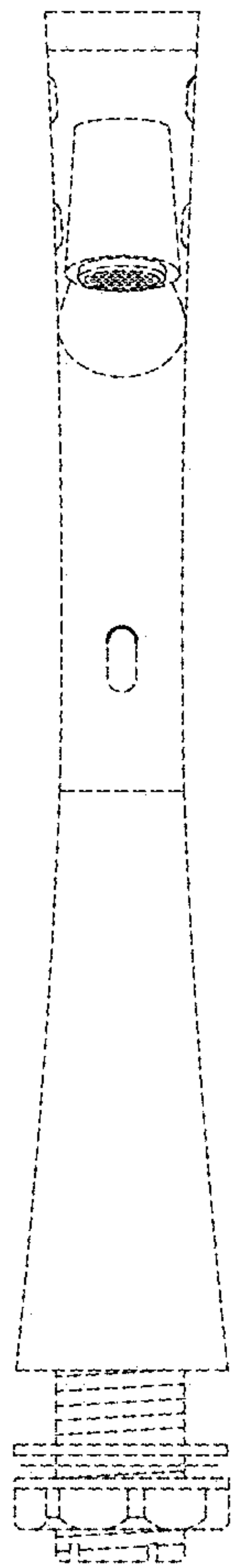


FIG. 9

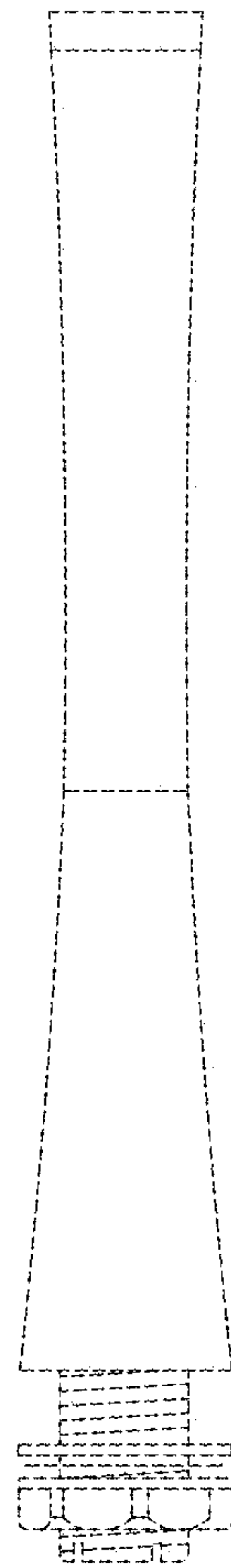


FIG. 10

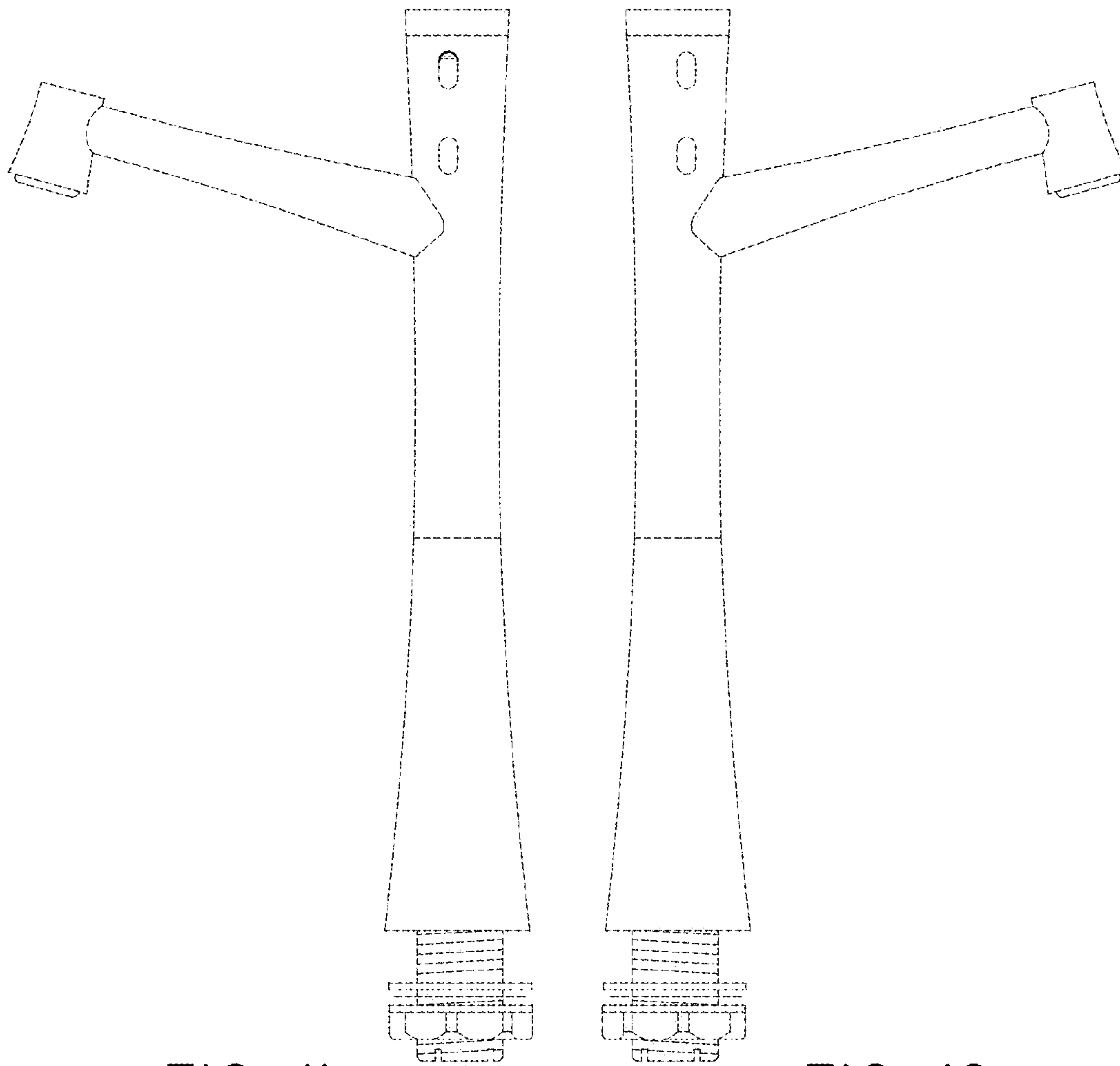


FIG. 11

FIG. 12

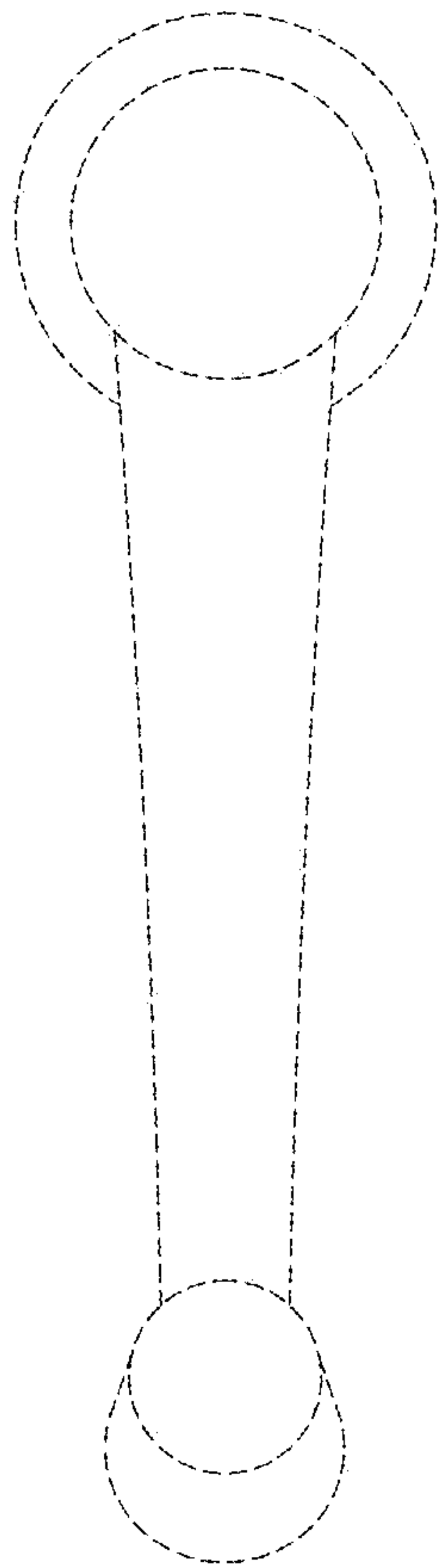


FIG. 13

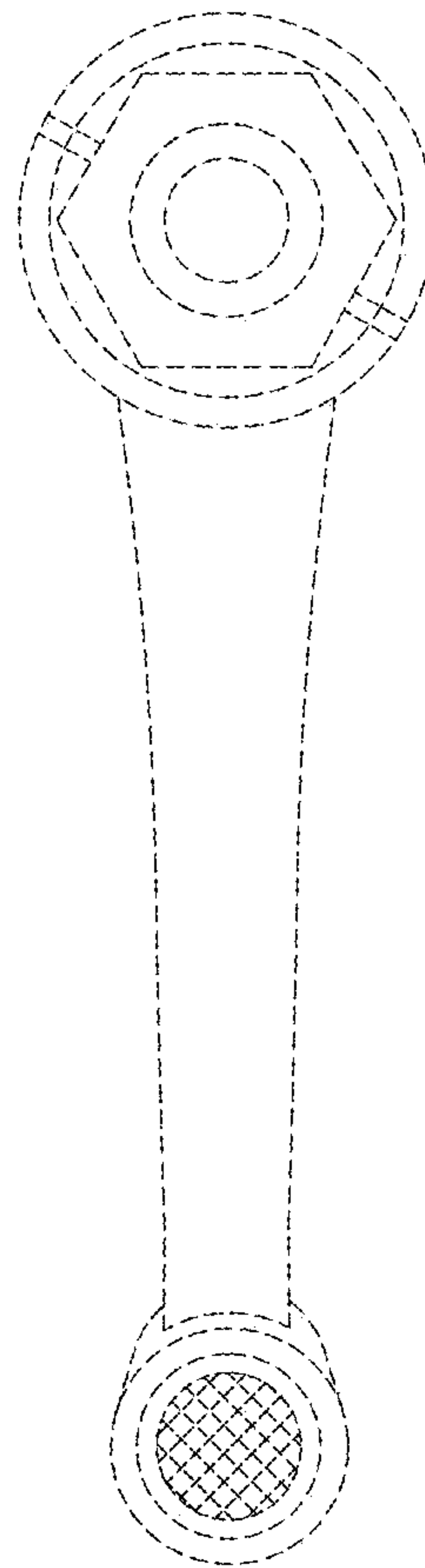


FIG. 14

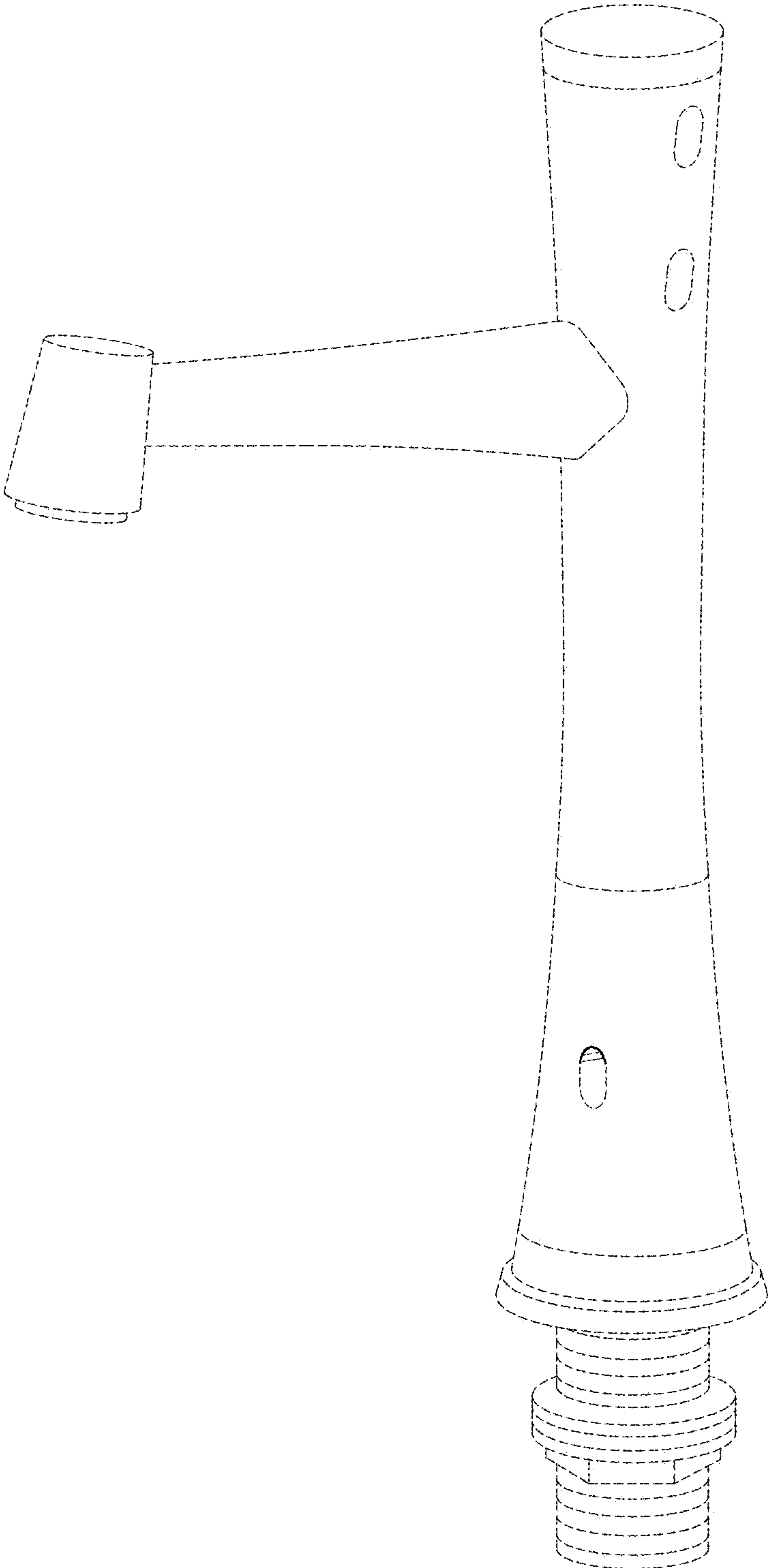


FIG. 15

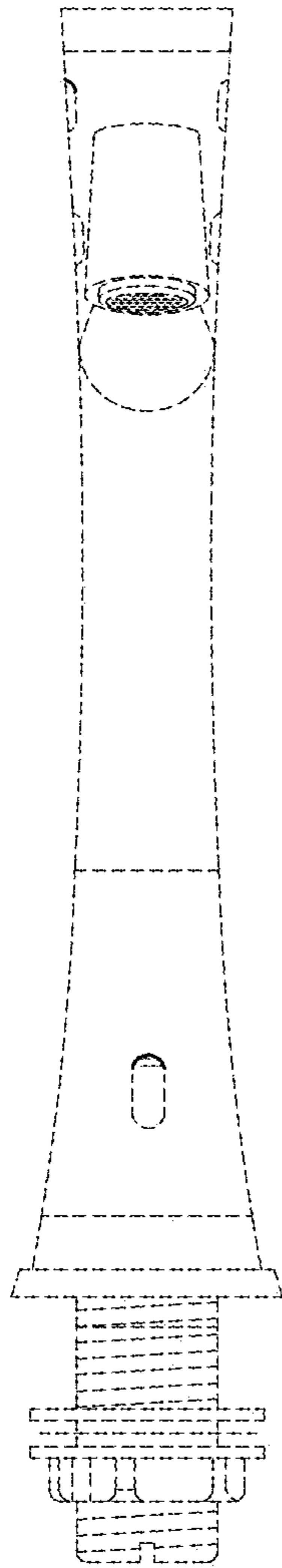


FIG. 16

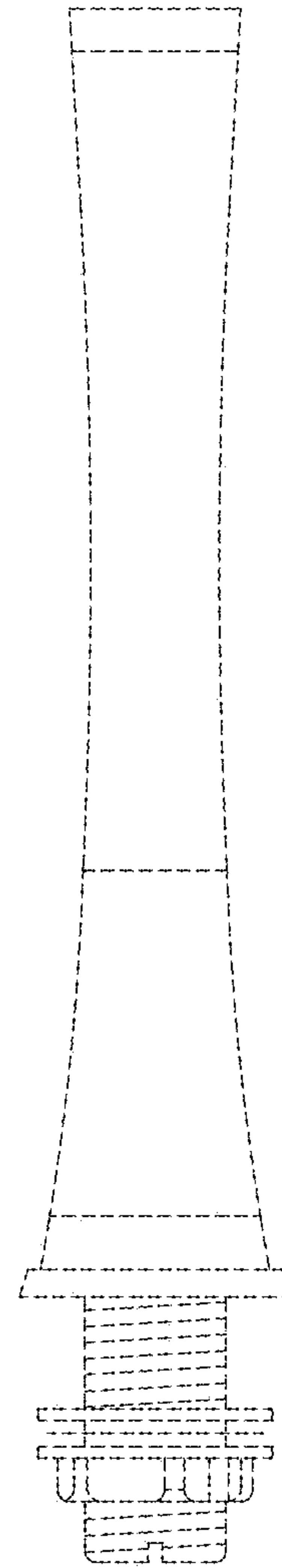


FIG. 17

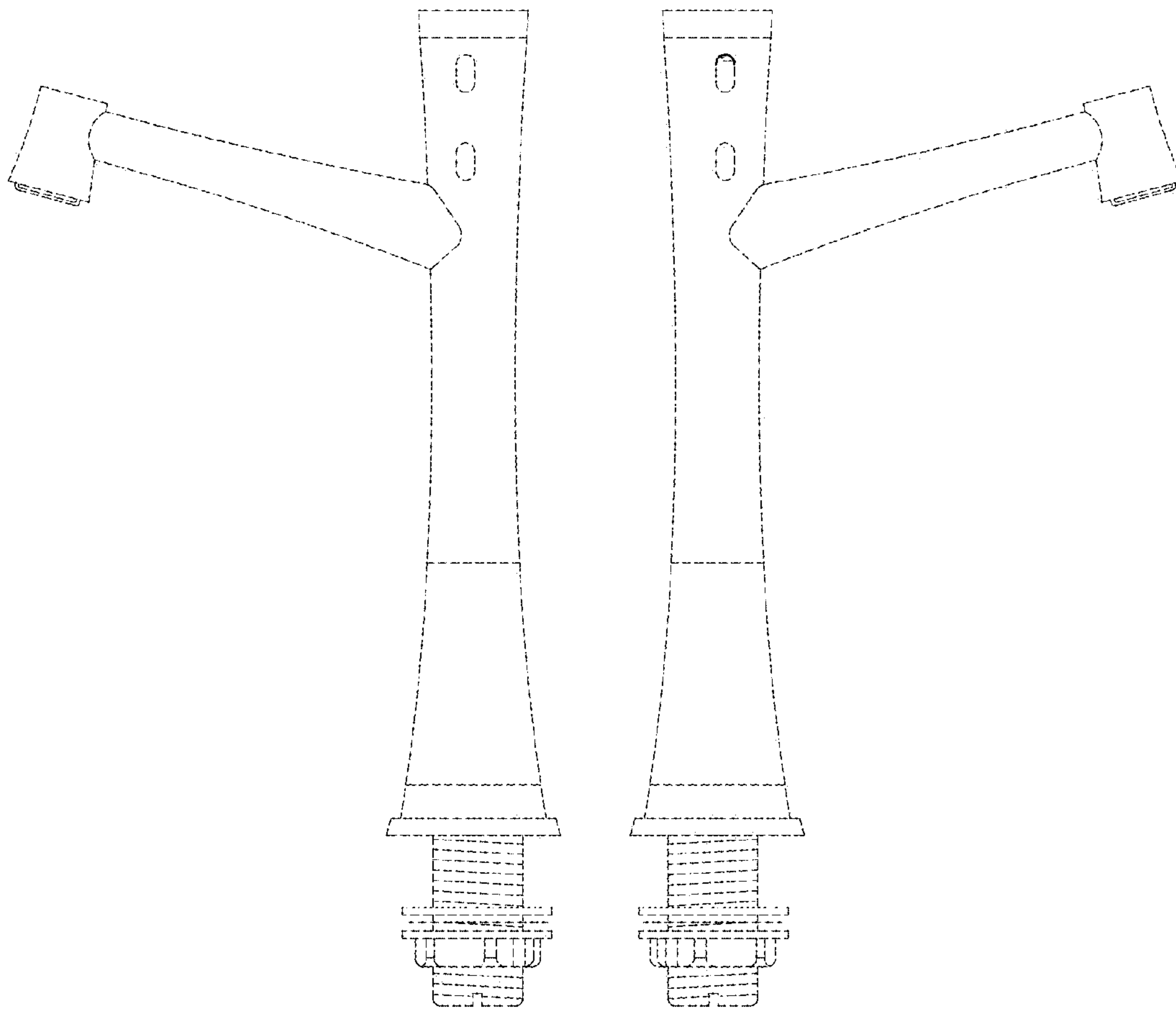


FIG. 18

FIG. 19

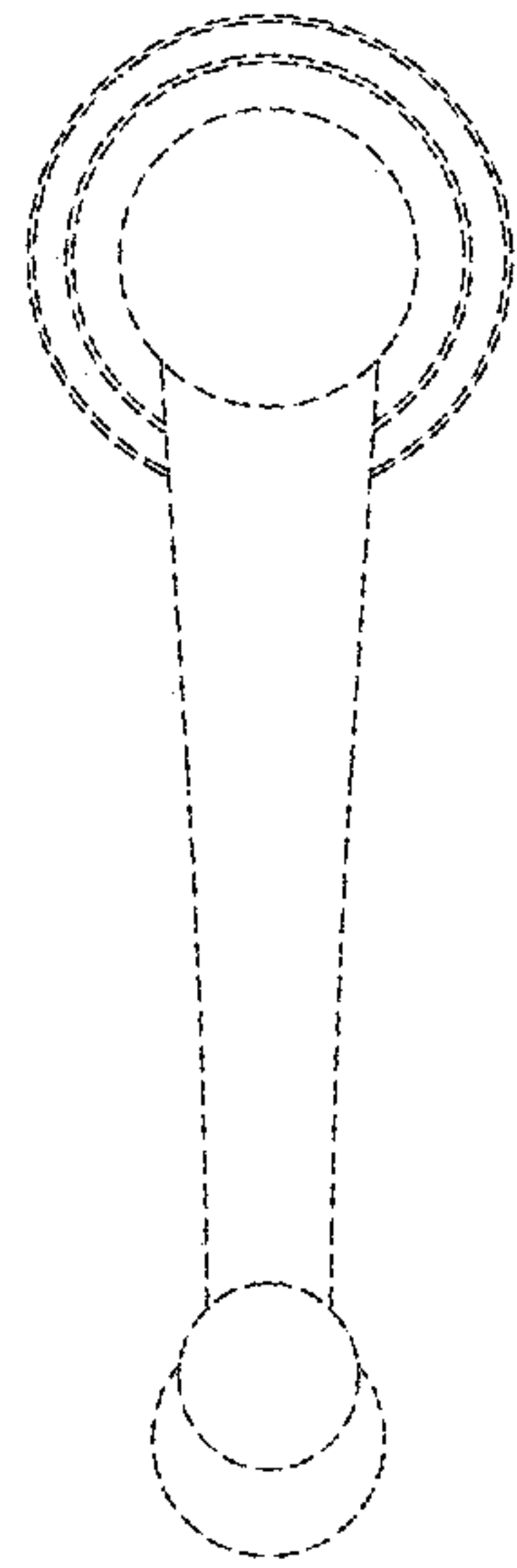


FIG. 20

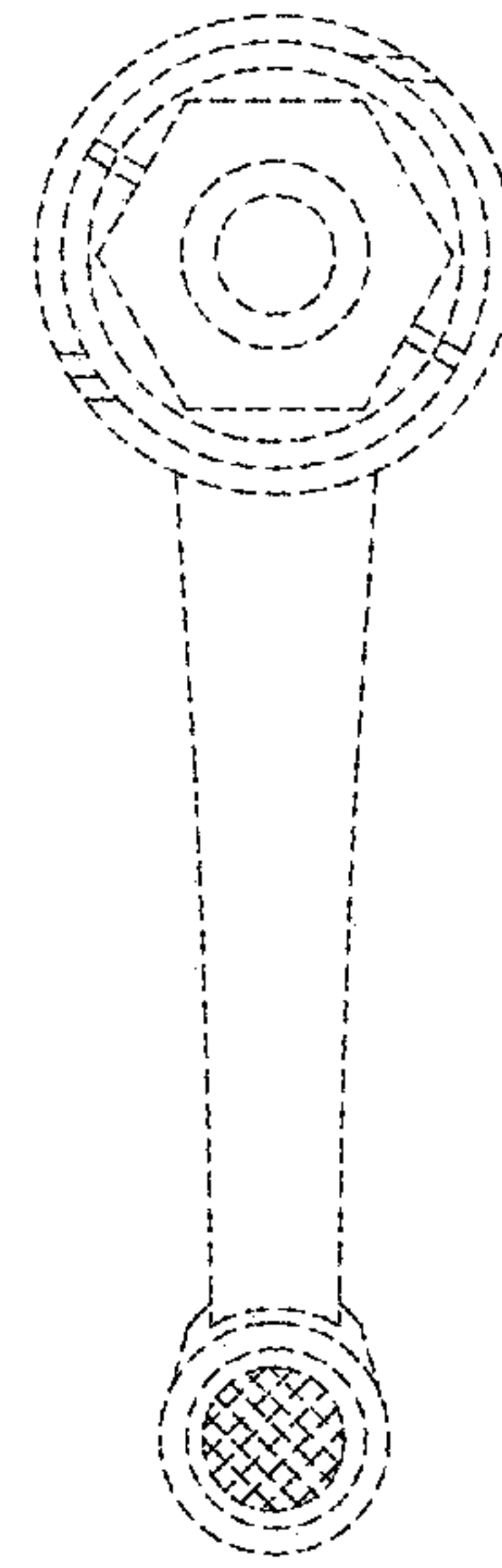


FIG. 21

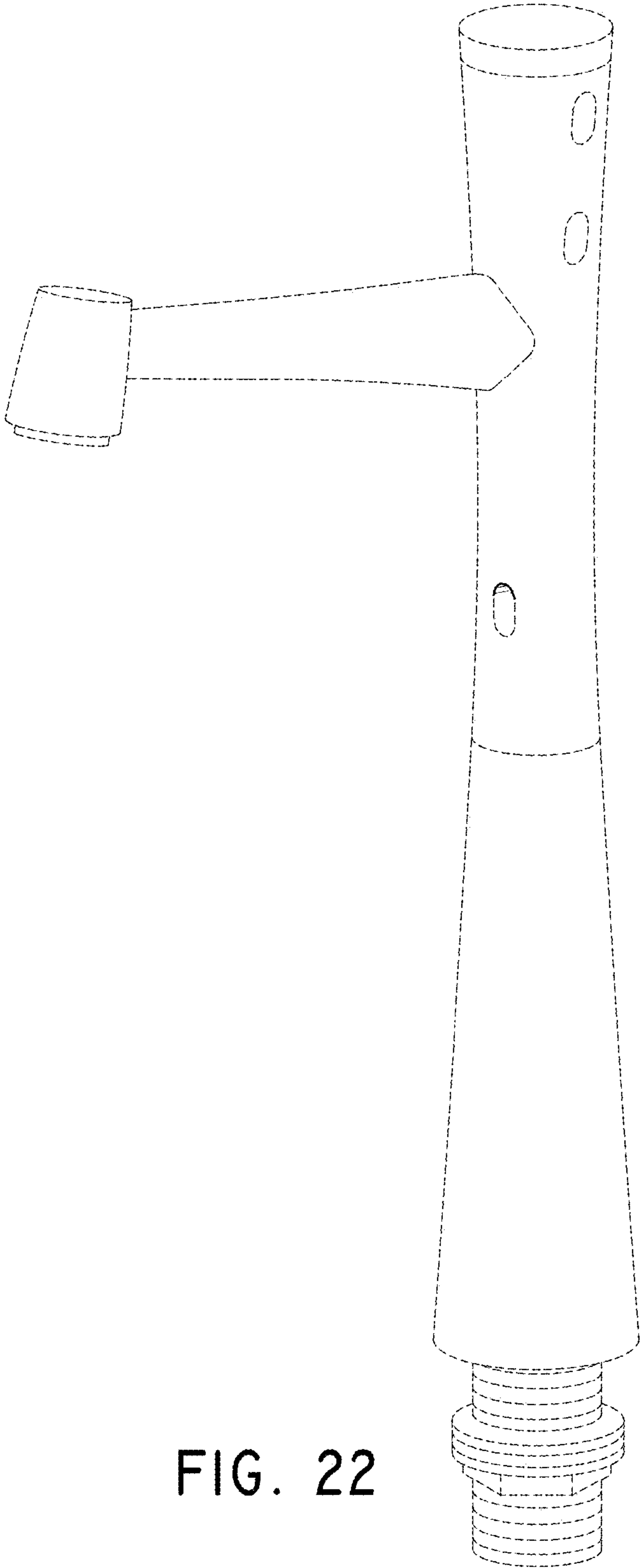


FIG. 22

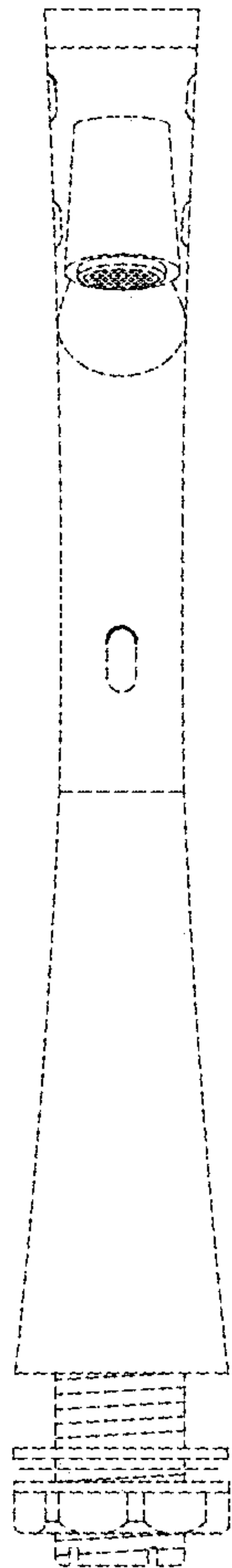


FIG. 23

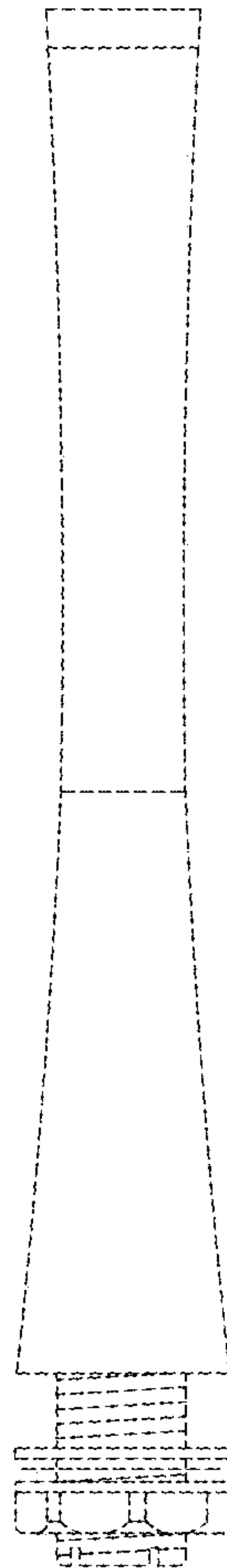


FIG. 24

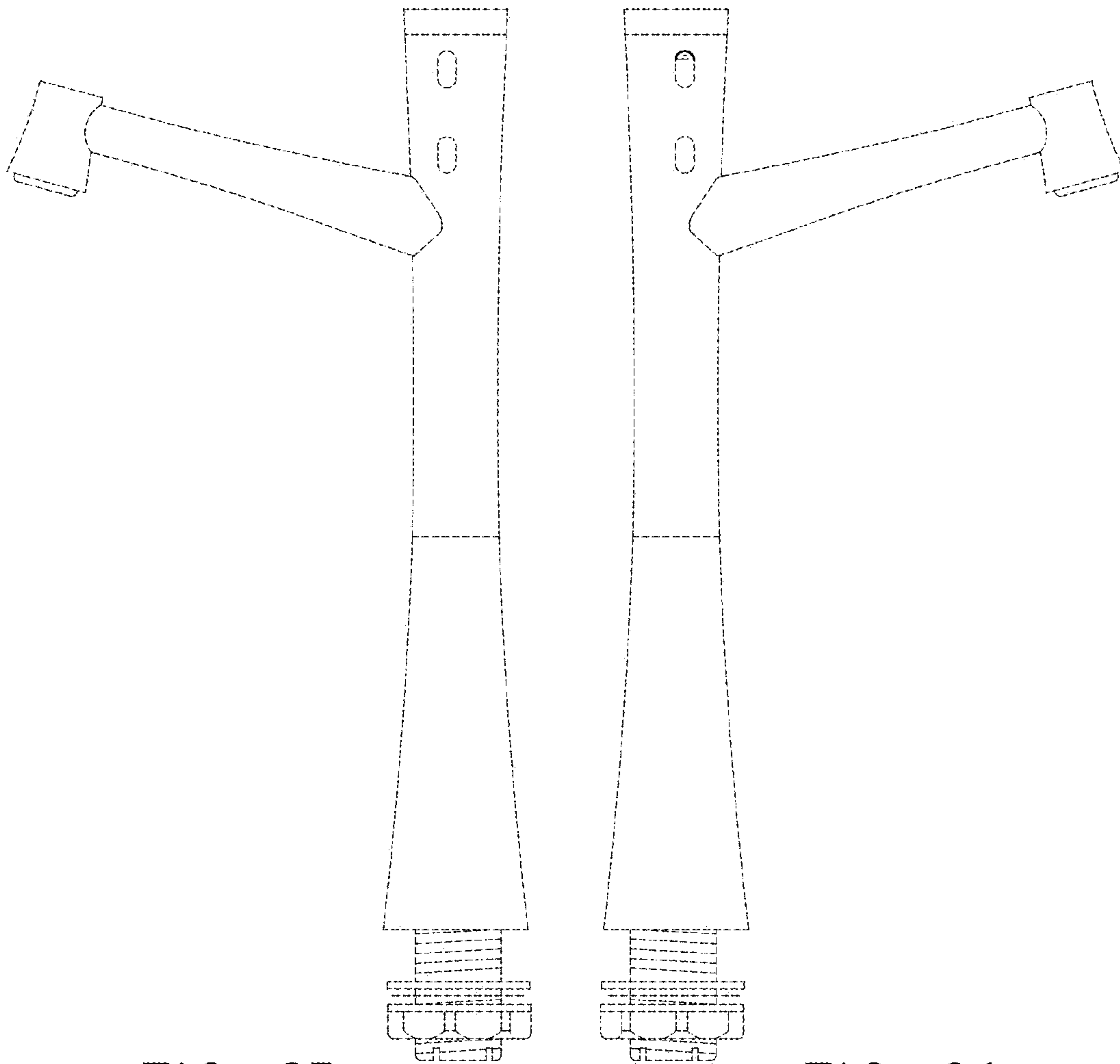


FIG. 25

FIG. 26

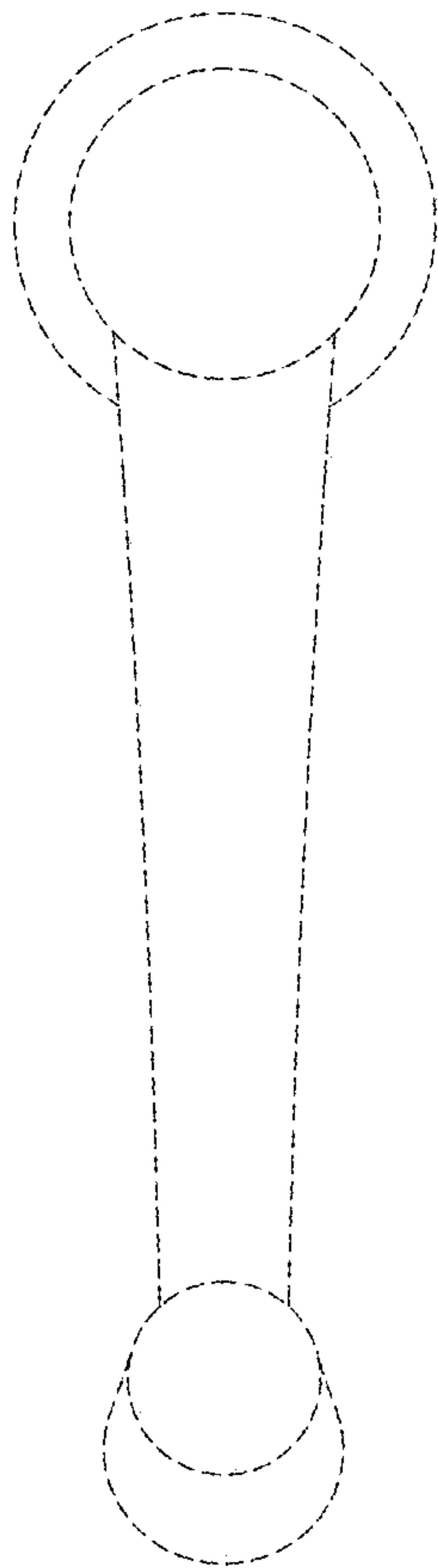


FIG. 27

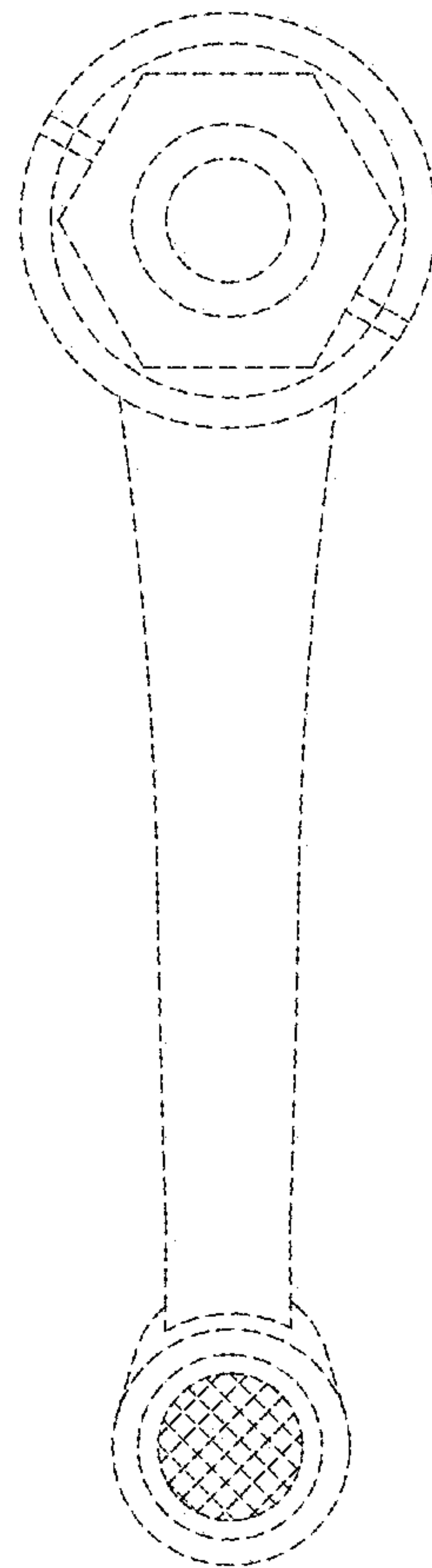


FIG. 28