



US00D761387S

(12) **United States Design Patent**
Yabu et al.

(10) **Patent No.:** **US D761,387 S**
(45) **Date of Patent:** **** Jul. 12, 2016**

(54) **THREE HOLE DECK MOUNTED LAVATORY SET**

(71) Applicants: **George Yabu**, New York, NY (US);
Glen Pushelberg, New York, NY (US)

(72) Inventors: **George Yabu**, New York, NY (US);
Glen Pushelberg, New York, NY (US)

(73) Assignee: **COOPER AND GRAHAM, INC.**, SW
Ranches, FL (US)

(**) Term: **15 Years**

(21) Appl. No.: **29/532,674**

(22) Filed: **Jul. 9, 2015**

(51) **LOC (10) Cl.** **23-02**

(52) **U.S. Cl.**
USPC **D23/242**

(58) **Field of Classification Search**
USPC D23/238-243, 249-250, 252, 255, 257
CPC E03C 1/04; E03C 1/0401; E03C 1/0402;
E03C 1/0404; F16K 31/602; F16K 31/605;
F16K 31/607

See application file for complete search history.

(56) **References Cited**

U.S. PATENT DOCUMENTS

D320,259 S *	9/1991	Delepine	D23/238
D534,619 S *	1/2007	Garner	D23/238
D592,733 S *	5/2009	Lammel	D23/255
D634,405 S *	3/2011	Shieh	D23/242
D643,095 S *	8/2011	Matsuura	D23/242
D674,051 S *	1/2013	Uhl	D23/242

* cited by examiner

Primary Examiner — Robert Delehanty

(74) *Attorney, Agent, or Firm* — Malloy & Malloy, P.L.

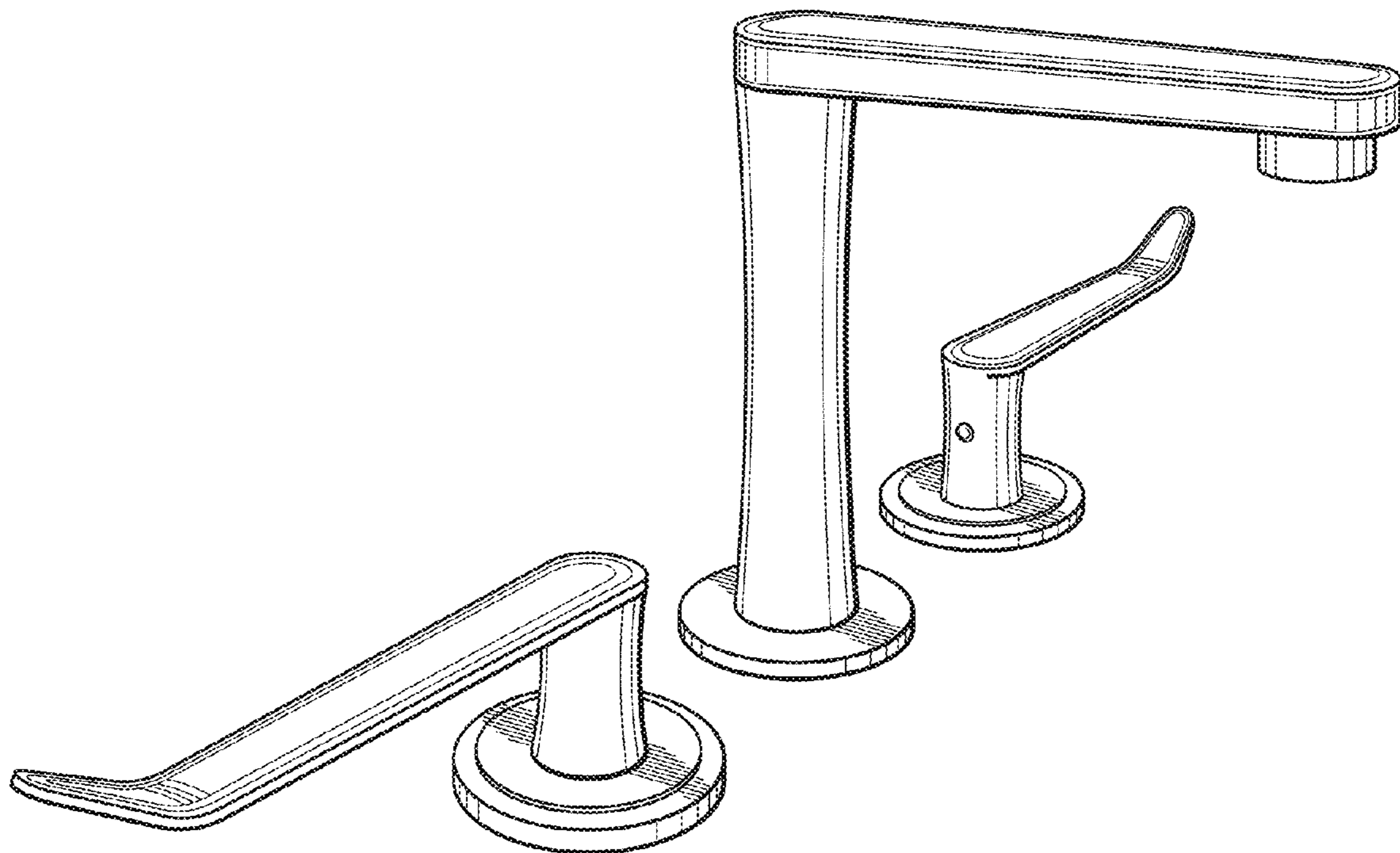
(57) **CLAIM**

The ornamental design for three hole deck mounted lavatory set, as shown and described.

DESCRIPTION

FIG. 1 is a front perspective view illustrating my design for a three hole deck mounted lavatory set; FIG. 2 is a front plan view thereof; FIG. 3 is a left side view thereof; FIG. 4 is a top view thereof; FIG. 5 is a right side view thereof; FIG. 6 is a bottom view thereof; and, FIG. 7 is a rear plan view thereof.

1 Claim, 7 Drawing Sheets



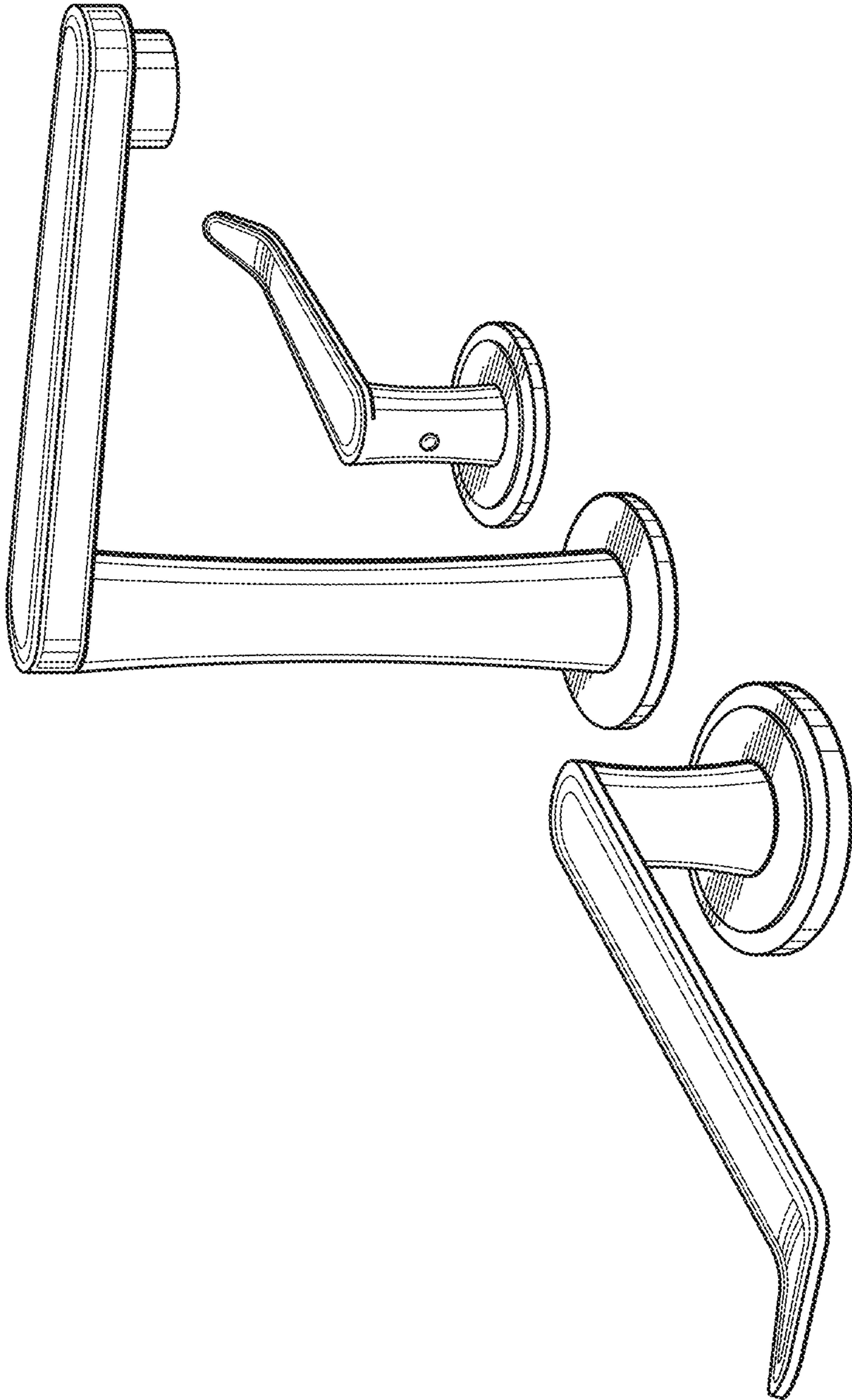


FIG. 1

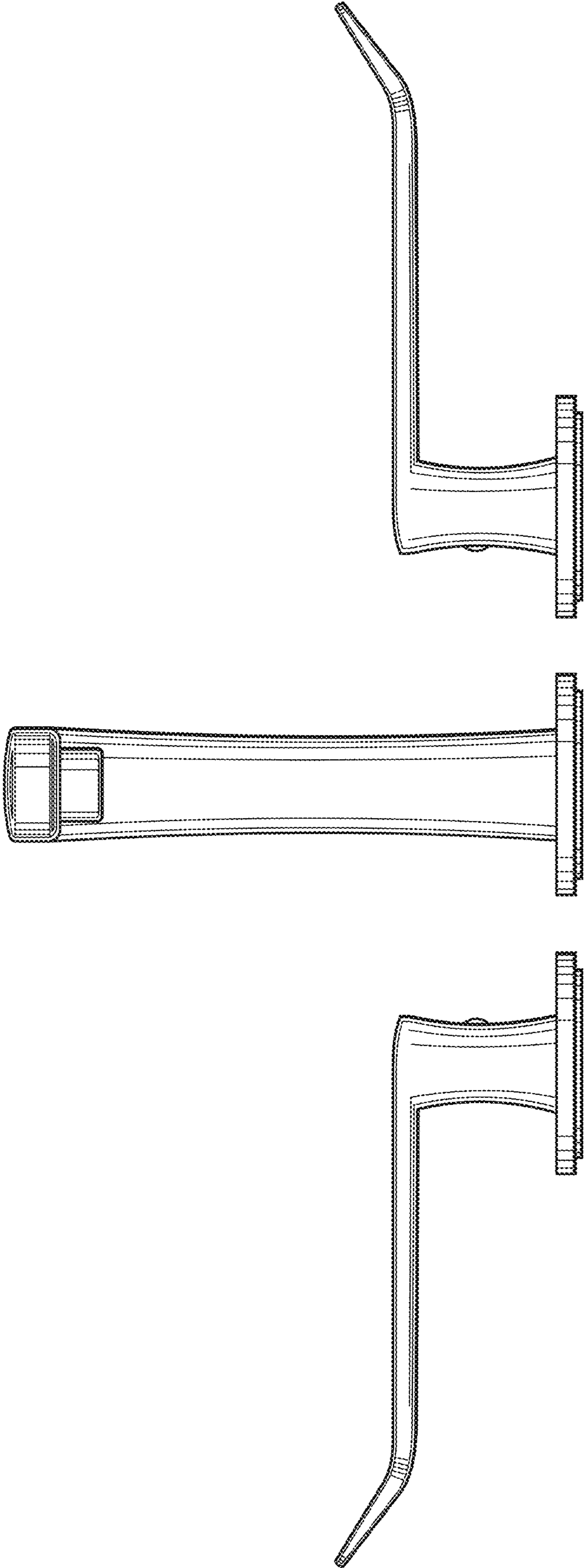


FIG. 2

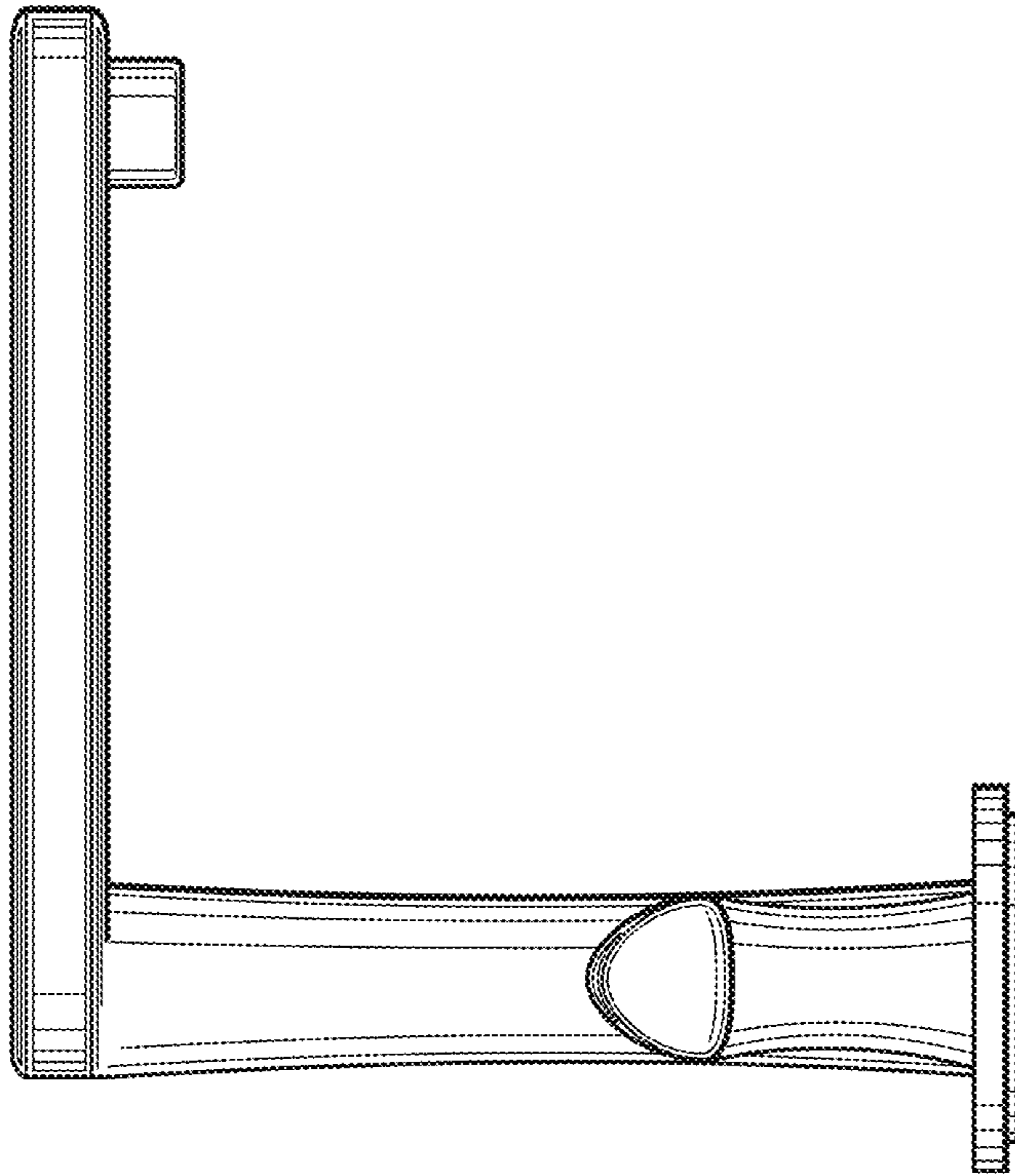


FIG. 3

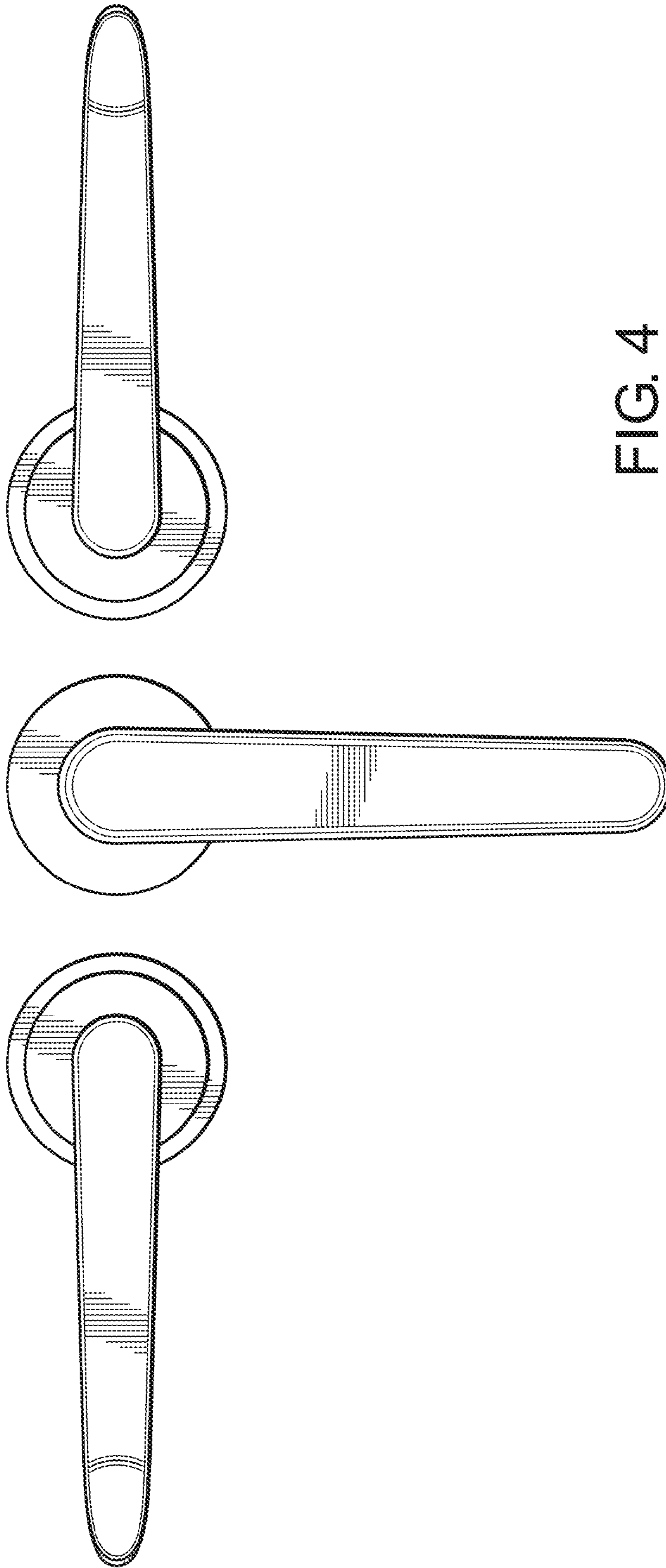


FIG. 4

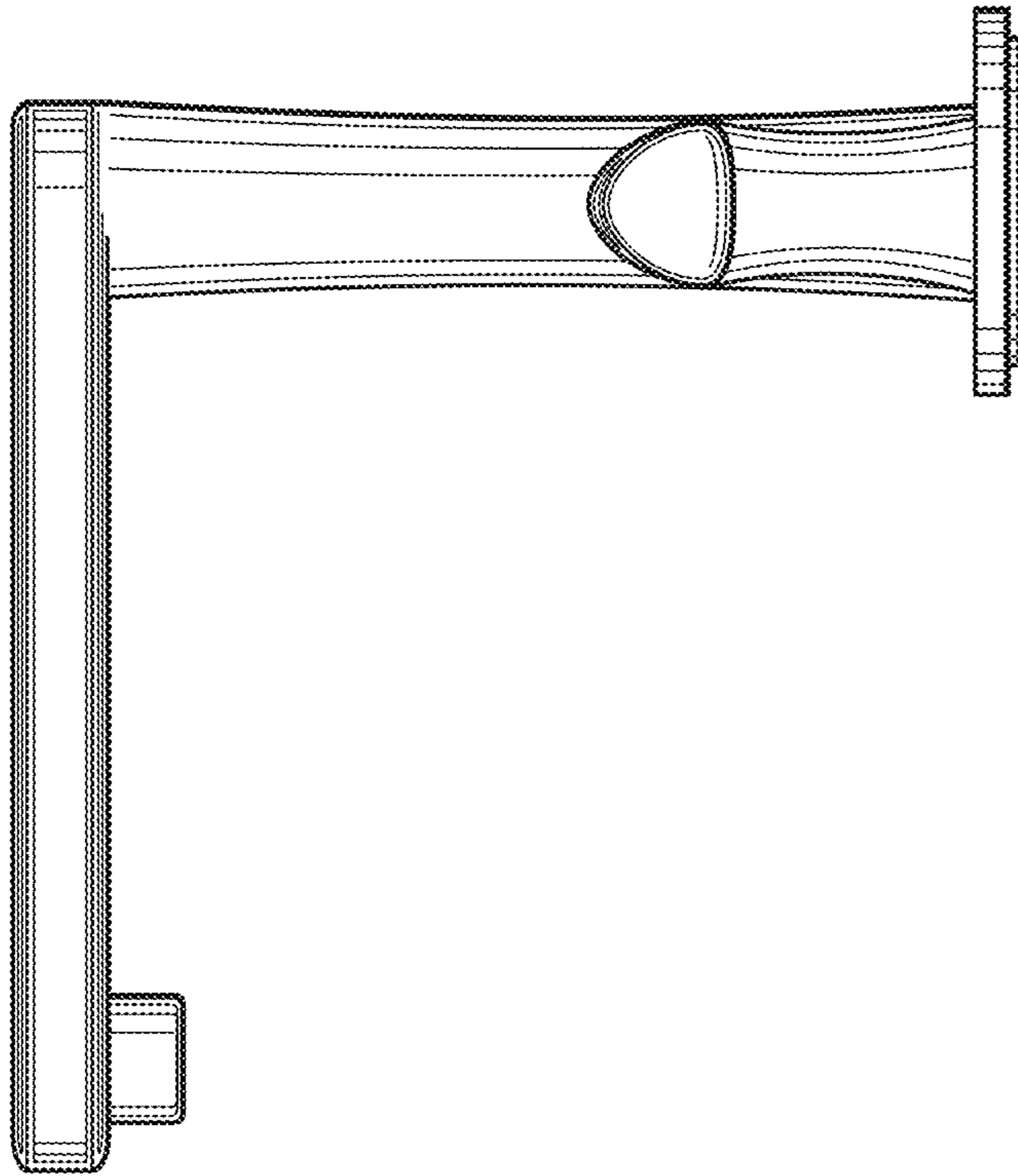


FIG. 5

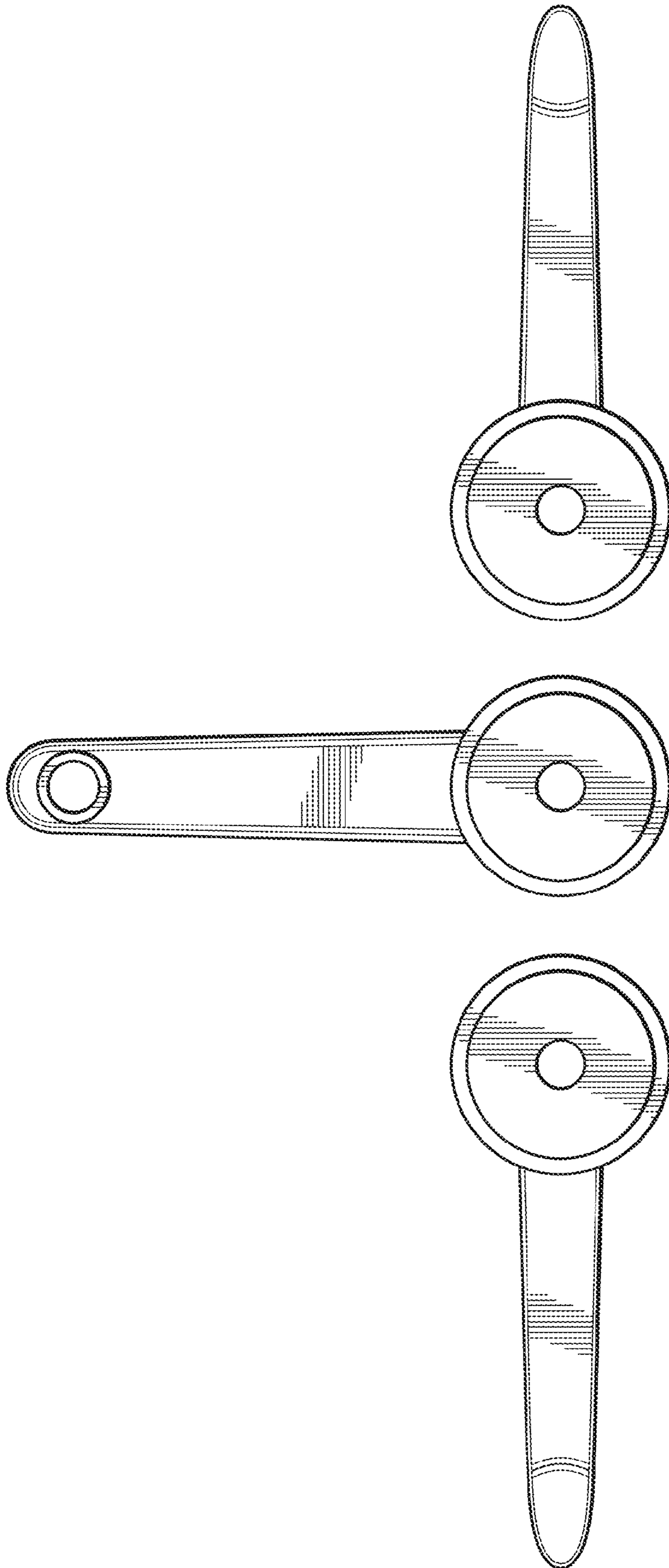


FIG. 6

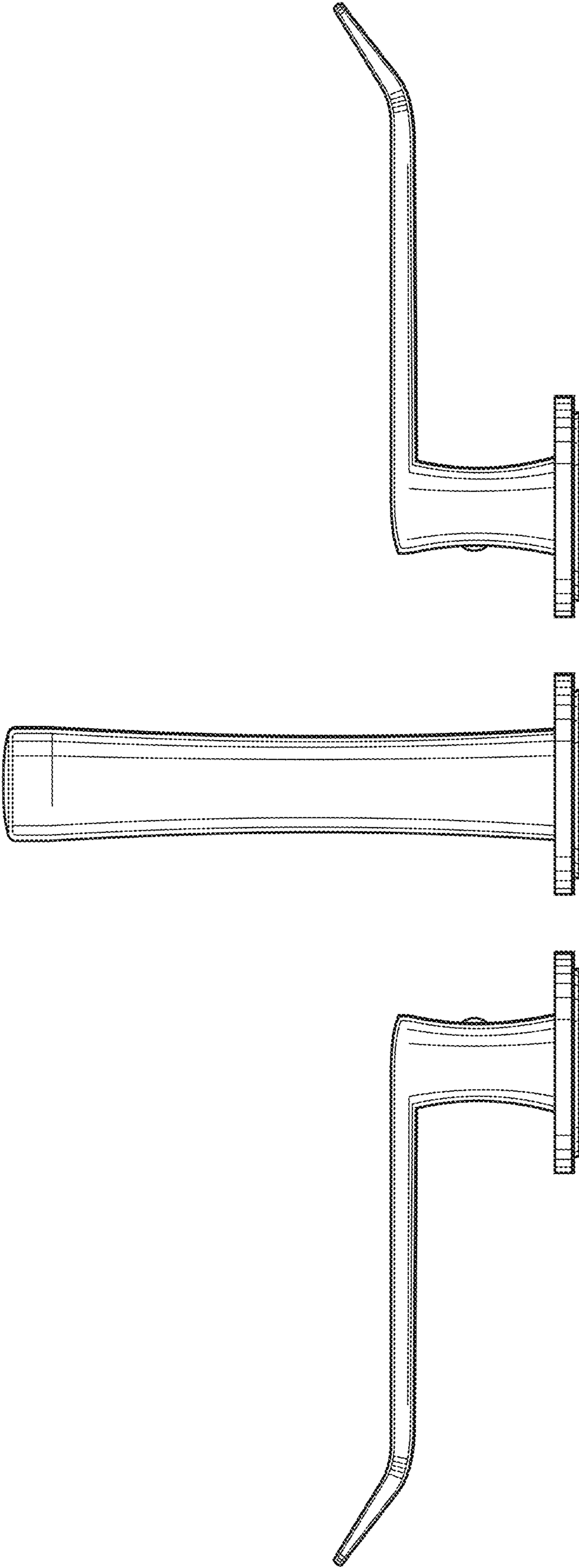


FIG. 7

UNITED STATES PATENT AND TRADEMARK OFFICE
CERTIFICATE OF CORRECTION

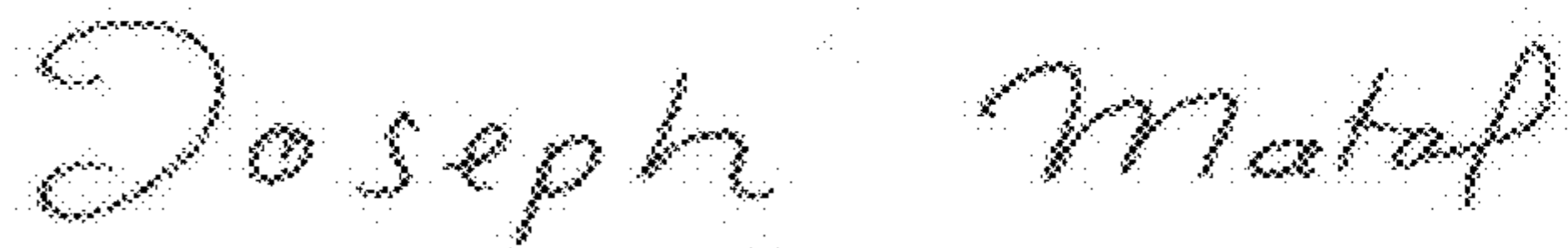
PATENT NO. : D761,387 S
APPLICATION NO. : 29/532674
DATED : July 12, 2016
INVENTOR(S) : George Yabu and Glenn Pushelberg

Page 1 of 1

It is certified that error appears in the above-identified patent and that said Letters Patent is hereby corrected as shown below:

Item (72), Inventors the spelling of the Second Joint Inventor's first name is hereby corrected from "Glen" to "Glenn".

Signed and Sealed this
Twenty-sixth Day of December, 2017



Joseph Matal

*Performing the Functions and Duties of the
Under Secretary of Commerce for Intellectual Property and
Director of the United States Patent and Trademark Office*