



US00D761385S

(12) **United States Design Patent**
Crawford

(10) **Patent No.:** **US D761,385 S**
(45) **Date of Patent:** **** Jul. 12, 2016**

- (54) **PORTABLE SHOWER SYSTEM**
- (71) Applicant: **OutSol, LLC**, Carlsbad, CA (US)
- (72) Inventor: **Christopher Jackson Crawford**,
Oceanside, CA (US)
- (73) Assignee: **OutSol, LLC**, Carlsbad, CA (US)
- (**) Term: **15 Years**
- (21) Appl. No.: **29/526,785**
- (22) Filed: **May 13, 2015**
- (51) **LOC (10) Cl.** **23-01**
- (52) **U.S. Cl.**
USPC **D23/225**
- (58) **Field of Classification Search**
USPC D23/213, 225, 283; 4/602, 603;
239/152-154; 222/465.1; D32/53
See application file for complete search history.

- 6,059,143 A * 5/2000 Weir A45F 3/00
222/184
- D607,968 S * 1/2010 Wojciechowski D23/213
- D639,388 S * 6/2011 Plantz D23/225
- D647,174 S * 10/2011 Henderson D23/225
- 8,141,754 B2 * 3/2012 Conner B05B 9/007
222/325
- D670,788 S * 11/2012 Plantz D23/225
- D683,814 S * 6/2013 Woodling D23/225
- D698,889 S * 2/2014 Zabalo Ondarra D23/202
- D706,388 S * 6/2014 Abernethy D23/225

* cited by examiner

Primary Examiner — Robin V Webster

(74) *Attorney, Agent, or Firm* — Todd J. Langford

(57) **CLAIM**

The ornamental design for a portable shower system, as shown and described.

DESCRIPTION

FIG. 1 is a perspective view of the portable shower system; FIG. 2 is a front view; FIG. 3 is a back view; FIG. 4 is a left side view; FIG. 5 is a right side view; FIG. 6 is a top view; and, FIG. 7 is a bottom view thereof.

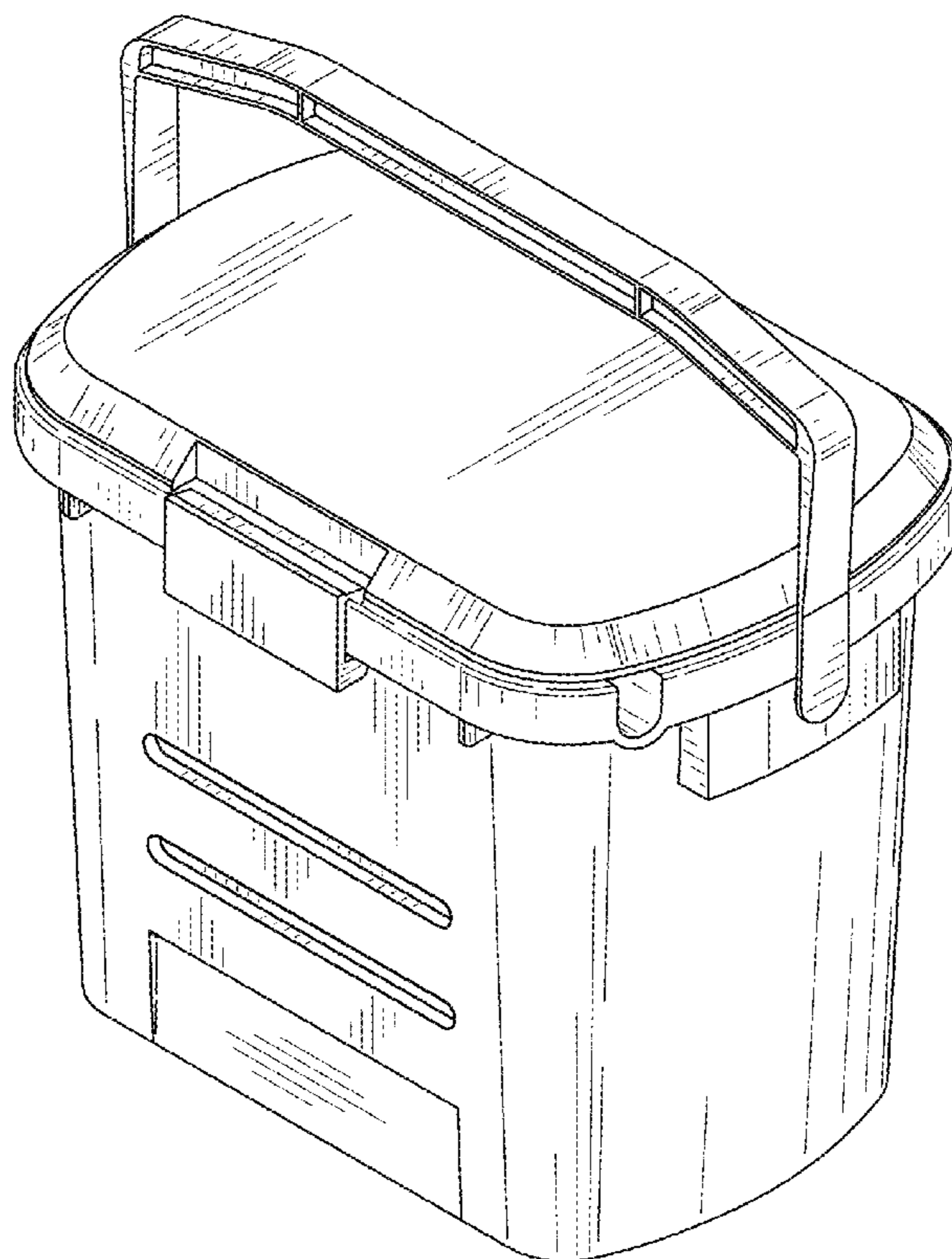
The broken lines shown in the bottom view are for the purpose of illustrating portions of the portable shower system and form no part of the claimed design.

1 Claim, 4 Drawing Sheets

(56) **References Cited**

U.S. PATENT DOCUMENTS

- 5,251,345 A * 10/1993 Pechner A47K 3/325
4/603
- D376,907 S * 12/1996 Simpson D23/283
- 5,911,520 A * 6/1999 Kenney A47K 3/288
4/603
- D415,556 S * 10/1999 Sangha D23/225
- D418,201 S * 12/1999 Shanklin D23/225



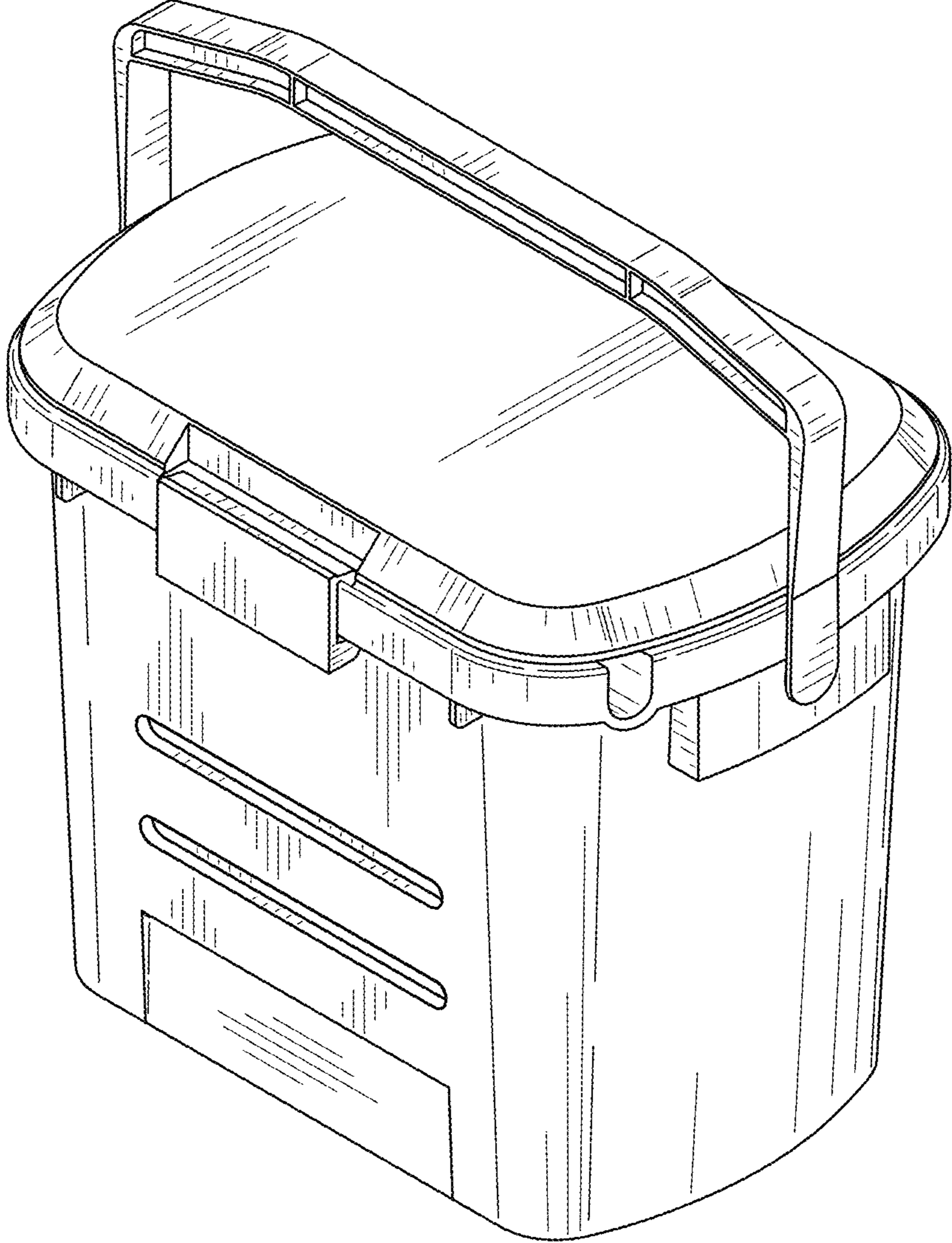


FIG. 1

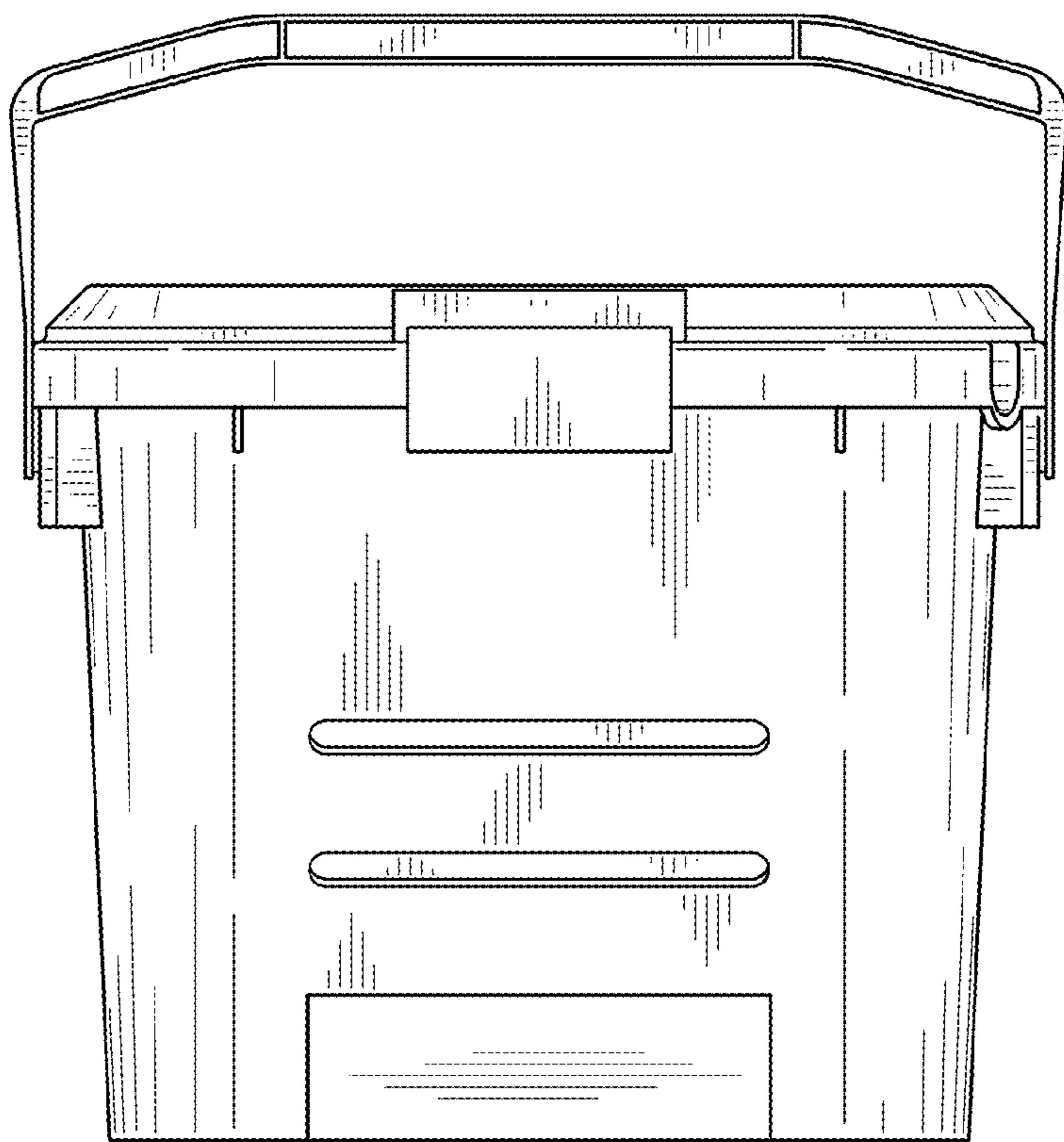


FIG. 2

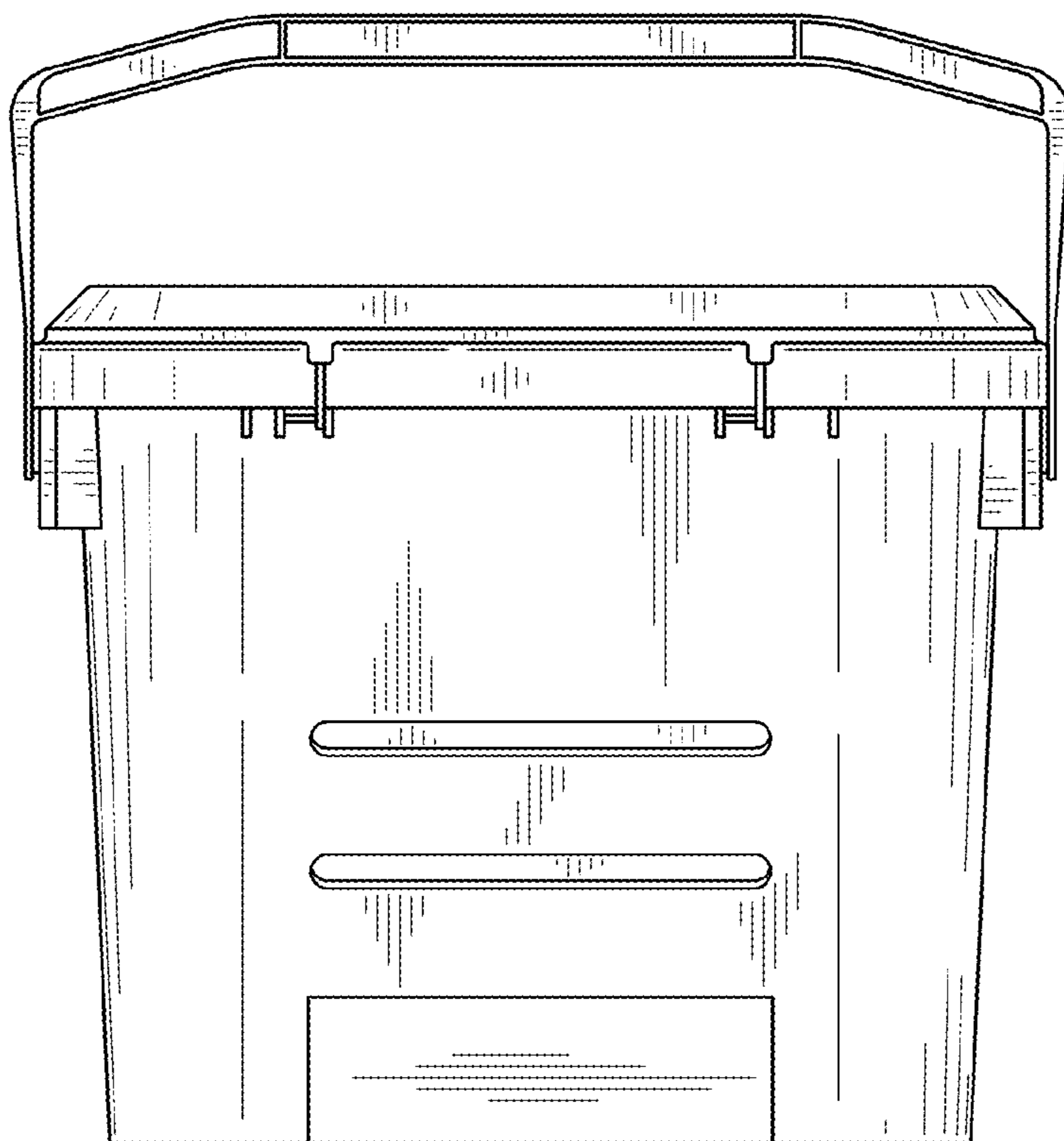


FIG. 3

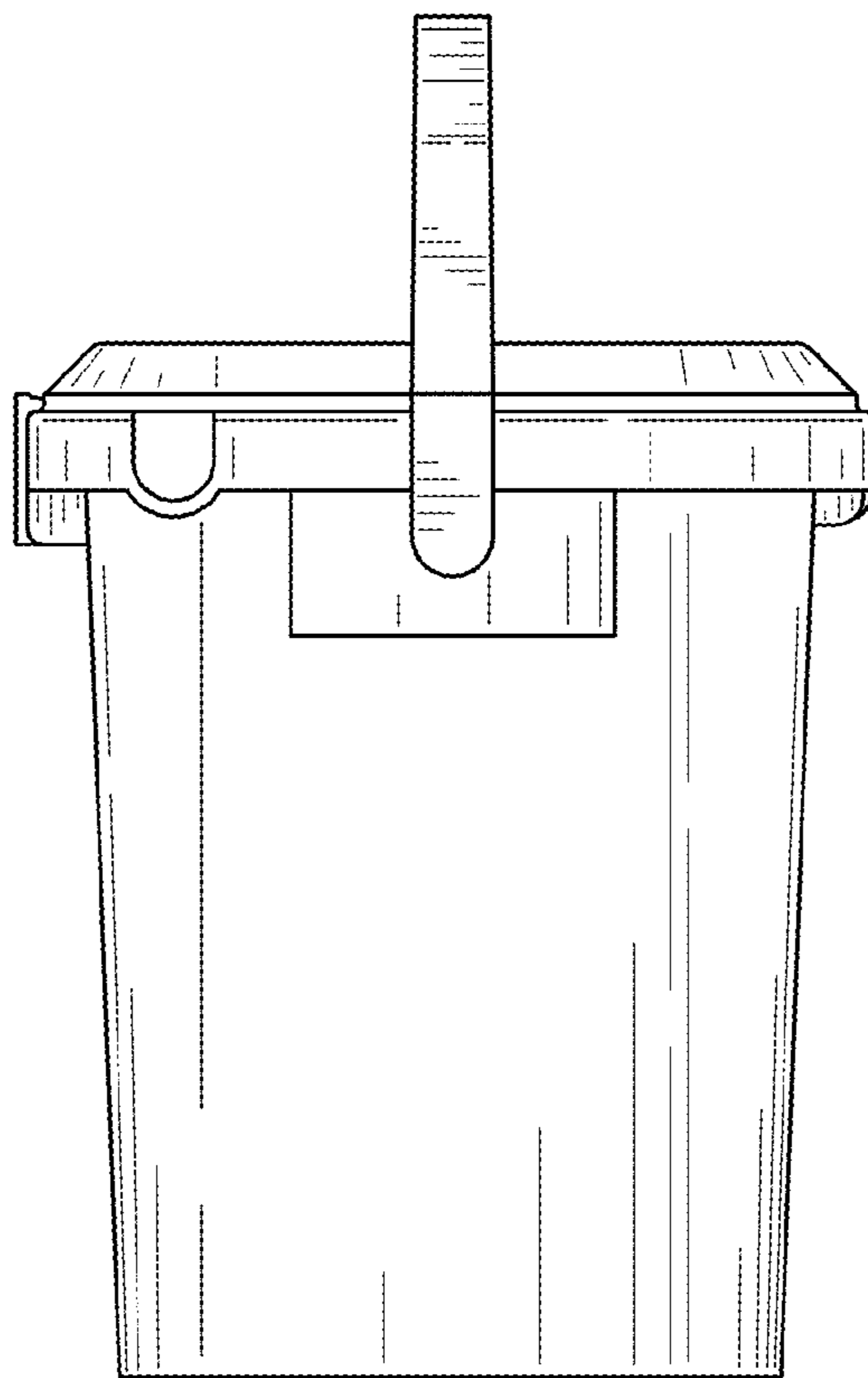


FIG. 4

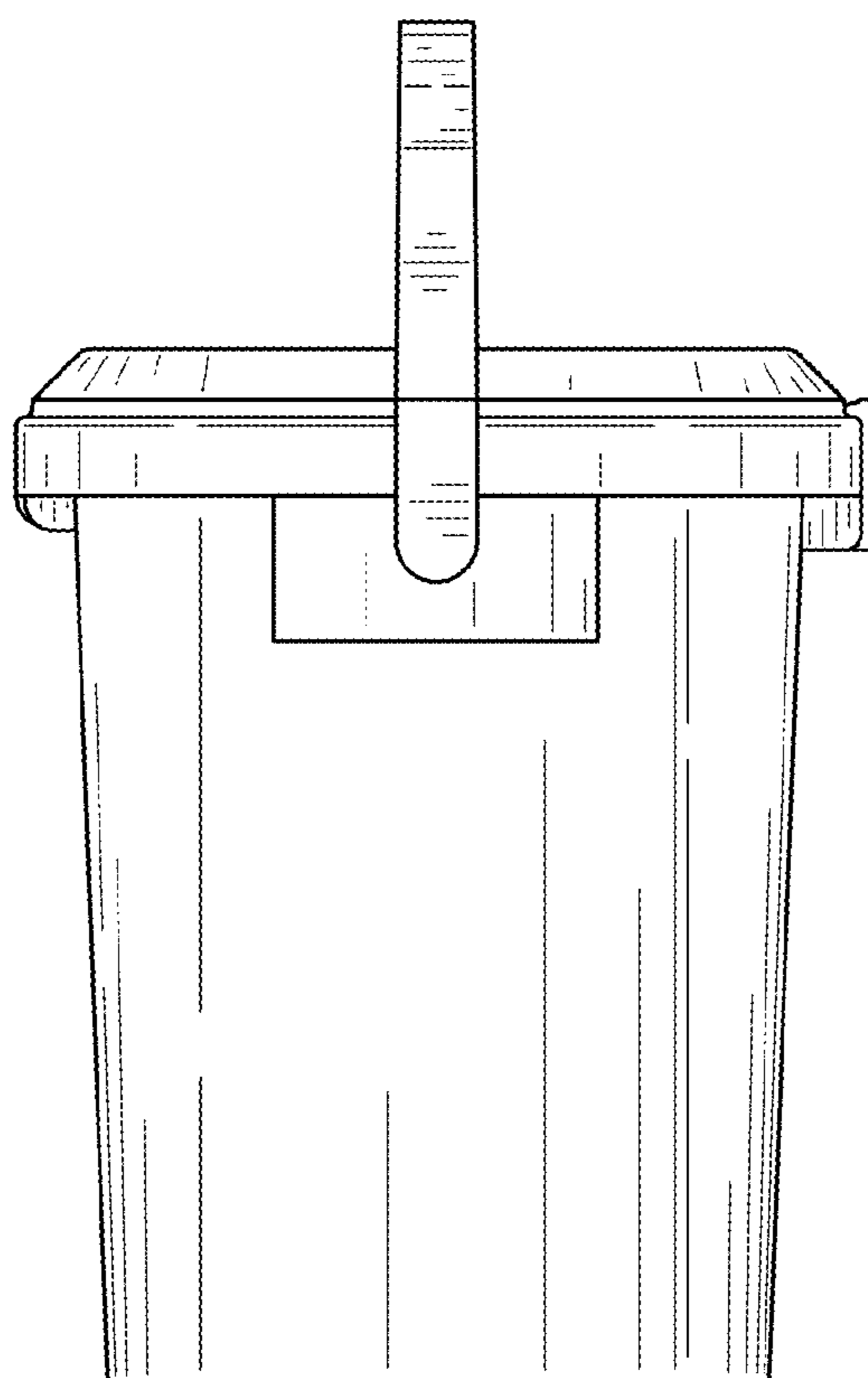


FIG. 5

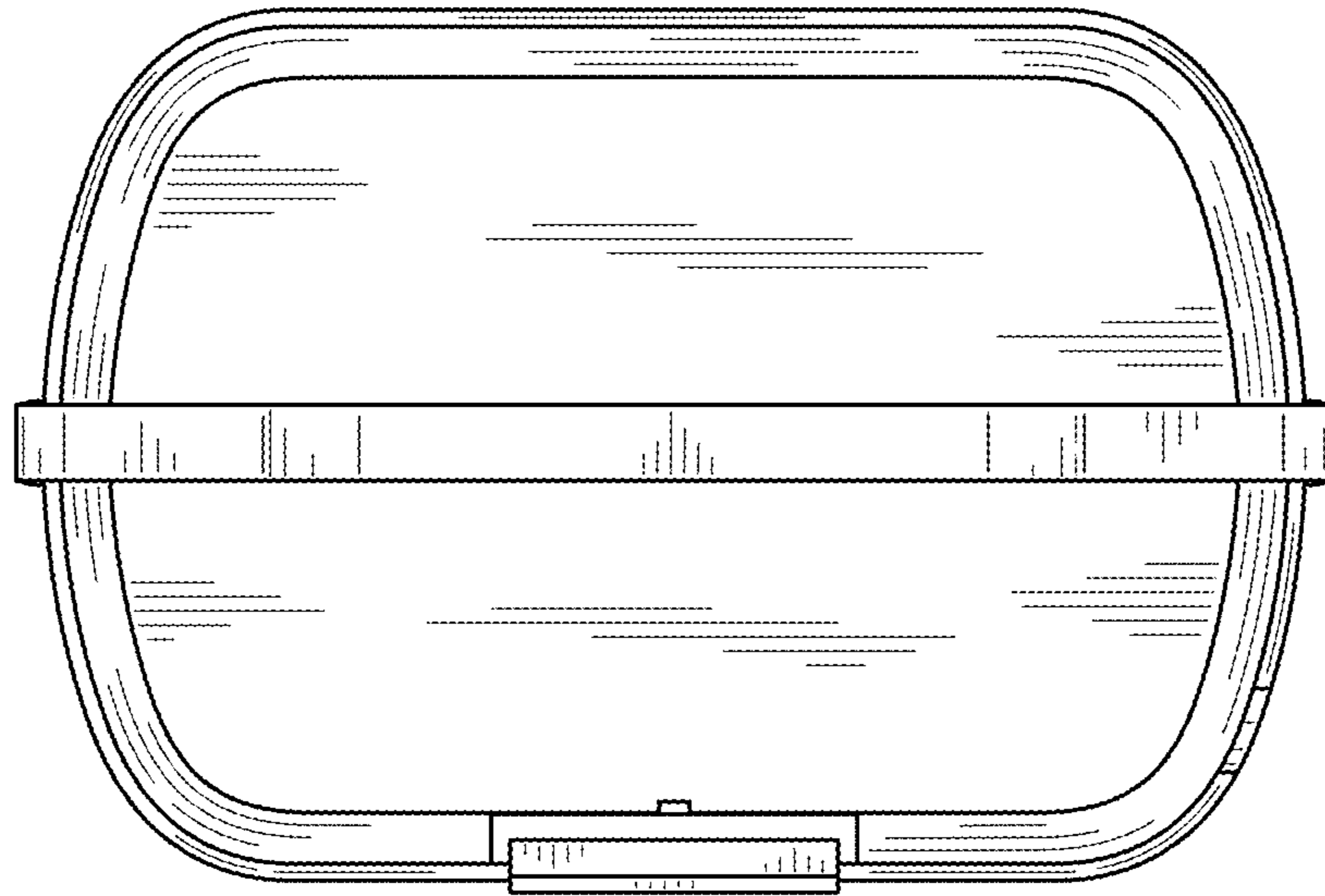


FIG. 6

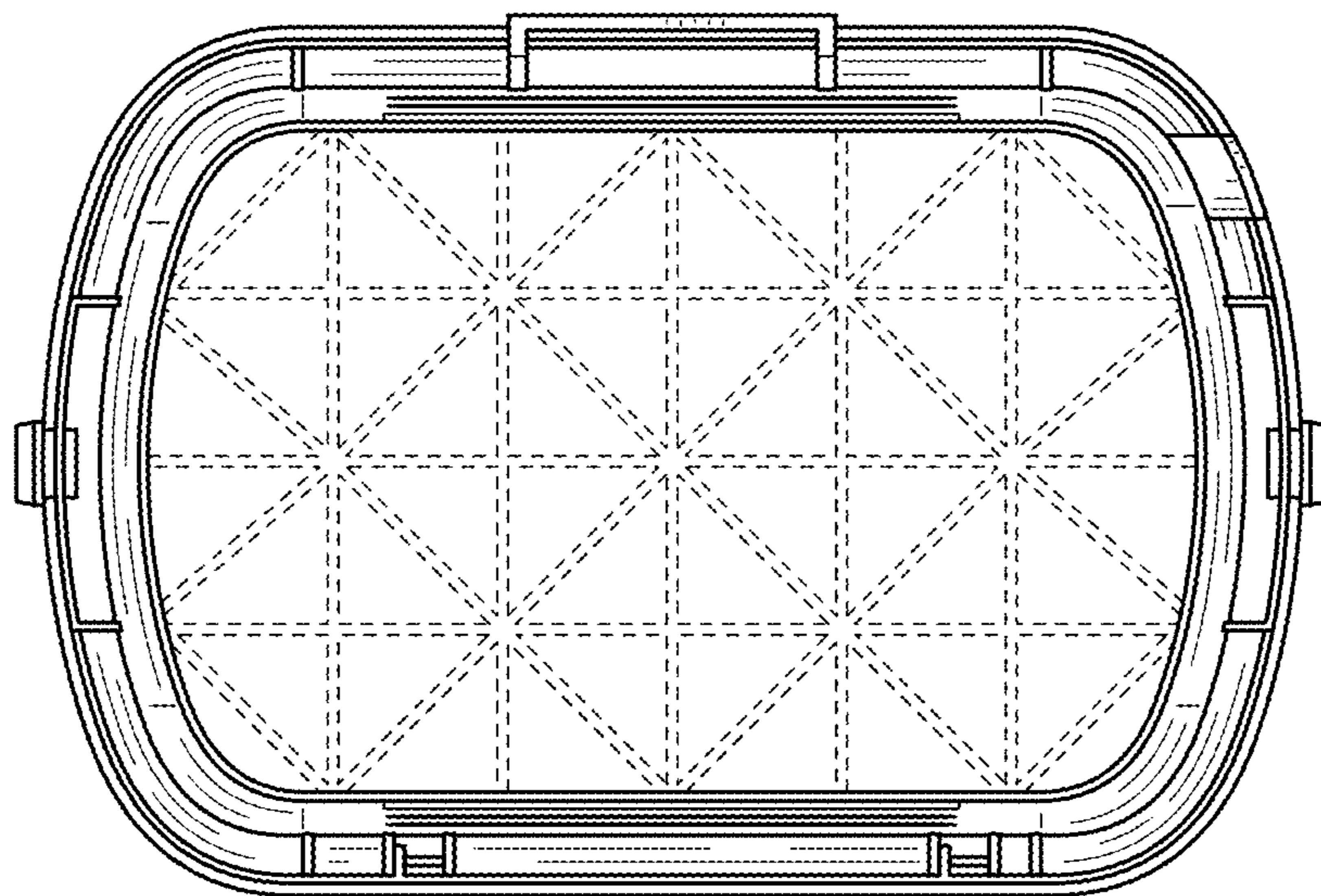


FIG. 7