



US00D761380S

(12) **United States Design Patent**
Bahadir

(10) **Patent No.:** **US D761,380 S**
(45) **Date of Patent:** **** Jul. 12, 2016**

(54) **FILTER RETAINER**
(71) Applicant: **Bahadir USA**, Lindenhurst, NY (US)
(72) Inventor: **Yakup Bahadir**, Samsun (TR)
(73) Assignee: **BAHADIR USA**, Lindenhurst, NY (US)
(**) Term: **14 Years**
(21) Appl. No.: **29/503,635**
(22) Filed: **Sep. 29, 2014**

(30) **Foreign Application Priority Data**
Apr. 29, 2014 (WO) DM/084 327
(51) **LOC (10) Cl.** **23-01**
(52) **U.S. Cl.**
USPC **D23/209**
(58) **Field of Classification Search**
USPC D23/207, 209, 262, 259, 265; 210/232,
210/234, 236, 418, 493.2; D8/382;
285/360, 361
CPC B01D 2201/291; B01D 2201/293;
B01D 2201/296; B01D 2201/298; B01D
2201/301–2201/306; B01D 35/153; B01D
35/157; B01D 35/30; B01D 29/111
See application file for complete search history.

(56) **References Cited**
U.S. PATENT DOCUMENTS
D128,670 S * 8/1941 Marks D23/209
D249,541 S * 9/1978 Cattano, Sr. D23/209

D321,745 S * 11/1991 Murrell D23/209
D520,596 S * 5/2006 Johnson D23/209
D528,630 S * 9/2006 Booth D23/209
D548,307 S * 8/2007 Reynolds D23/209
D669,155 S * 10/2012 Bryan D23/209
8,425,773 B2 * 4/2013 Bonta B01D 29/073
210/232
D729,344 S * 5/2015 Colussi D23/209

* cited by examiner

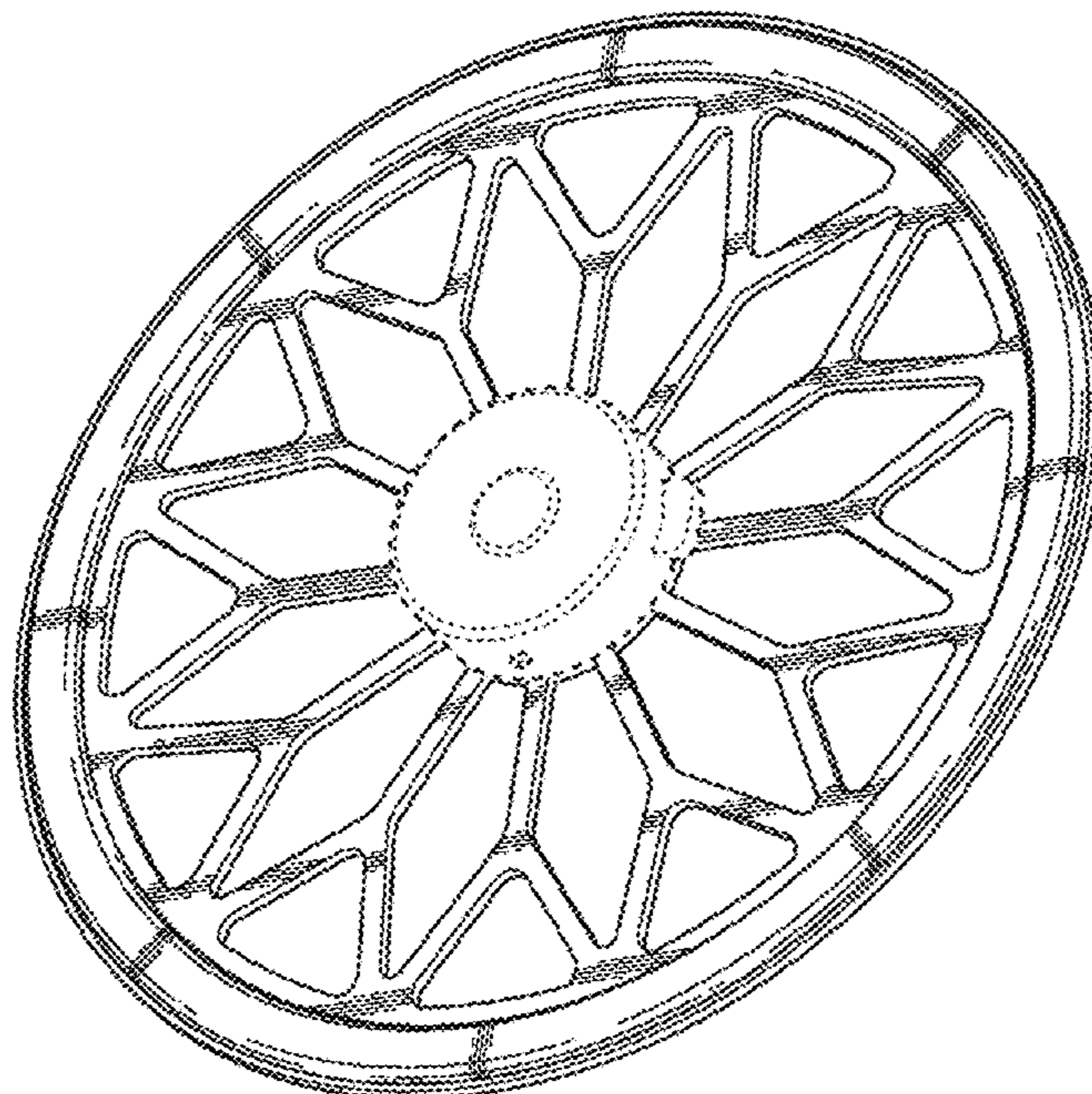
Primary Examiner — Robin V Webster
(74) *Attorney, Agent, or Firm* — Morgan, Lewis & Bockius LLP

(57) **CLAIM**
The ornamental design for a filter retainer, as shown and described.

DESCRIPTION

FIG. 1 is a front perspective view of a filter retainer in accordance with my new design;
FIG. 2 is a top plan view of the filter retainer shown in FIG. 1;
FIG. 3 is a bottom plan view of the filter retainer shown in FIG. 1;
FIG. 4 is a left elevational view of the filter retainer shown in FIG. 1;
FIG. 5 is a front elevational view of the filter retainer shown in FIG. 1;
FIG. 6 is a right elevational view of the filter retainer shown in FIG. 1; and,
FIG. 7 is a rear elevational view of the filter retainer shown in FIG. 1.
The broken lines shown in the drawings represent portions of the filter retainer that form no part of the claimed design.

1 Claim, 4 Drawing Sheets



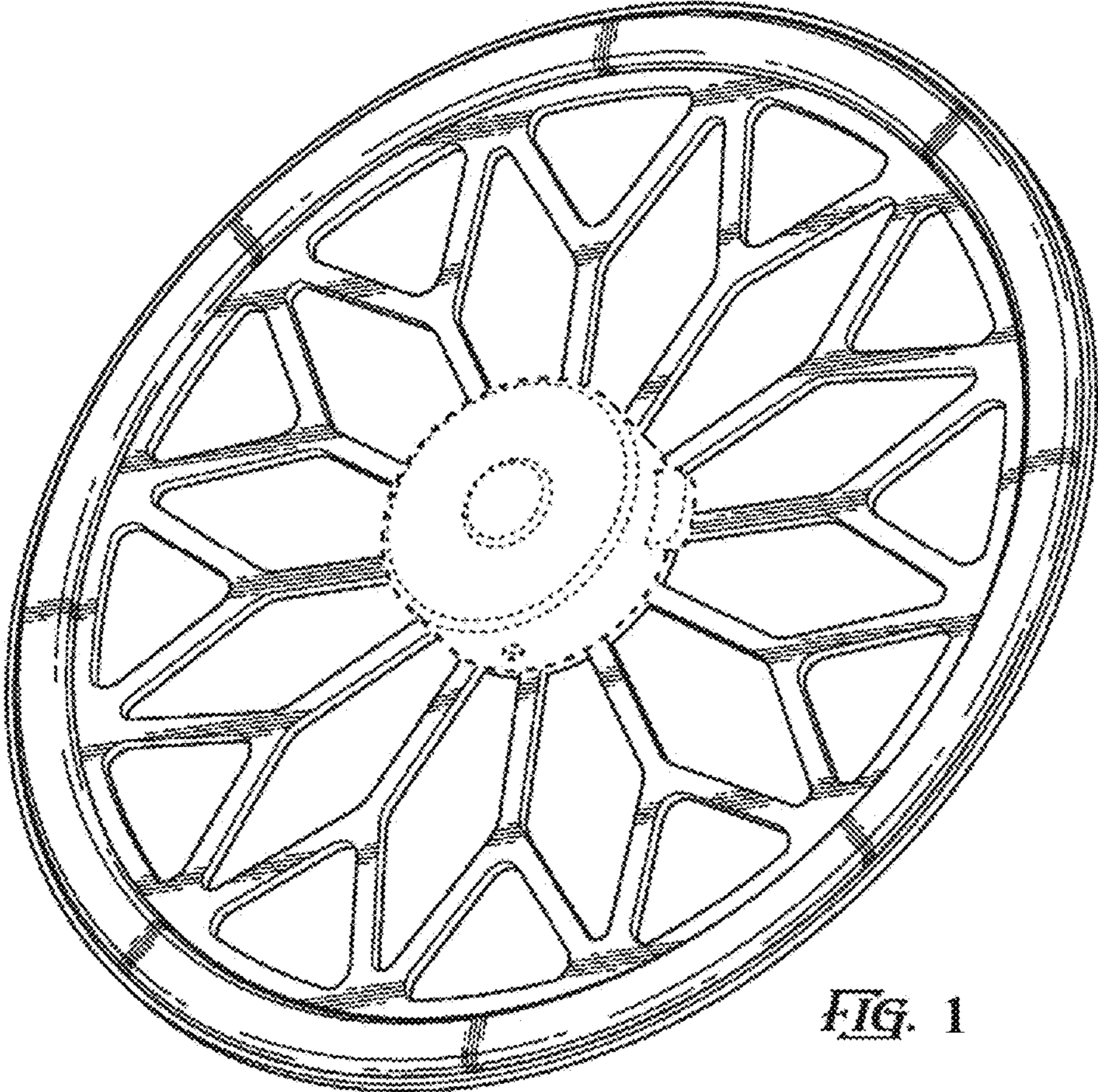


FIG. 1

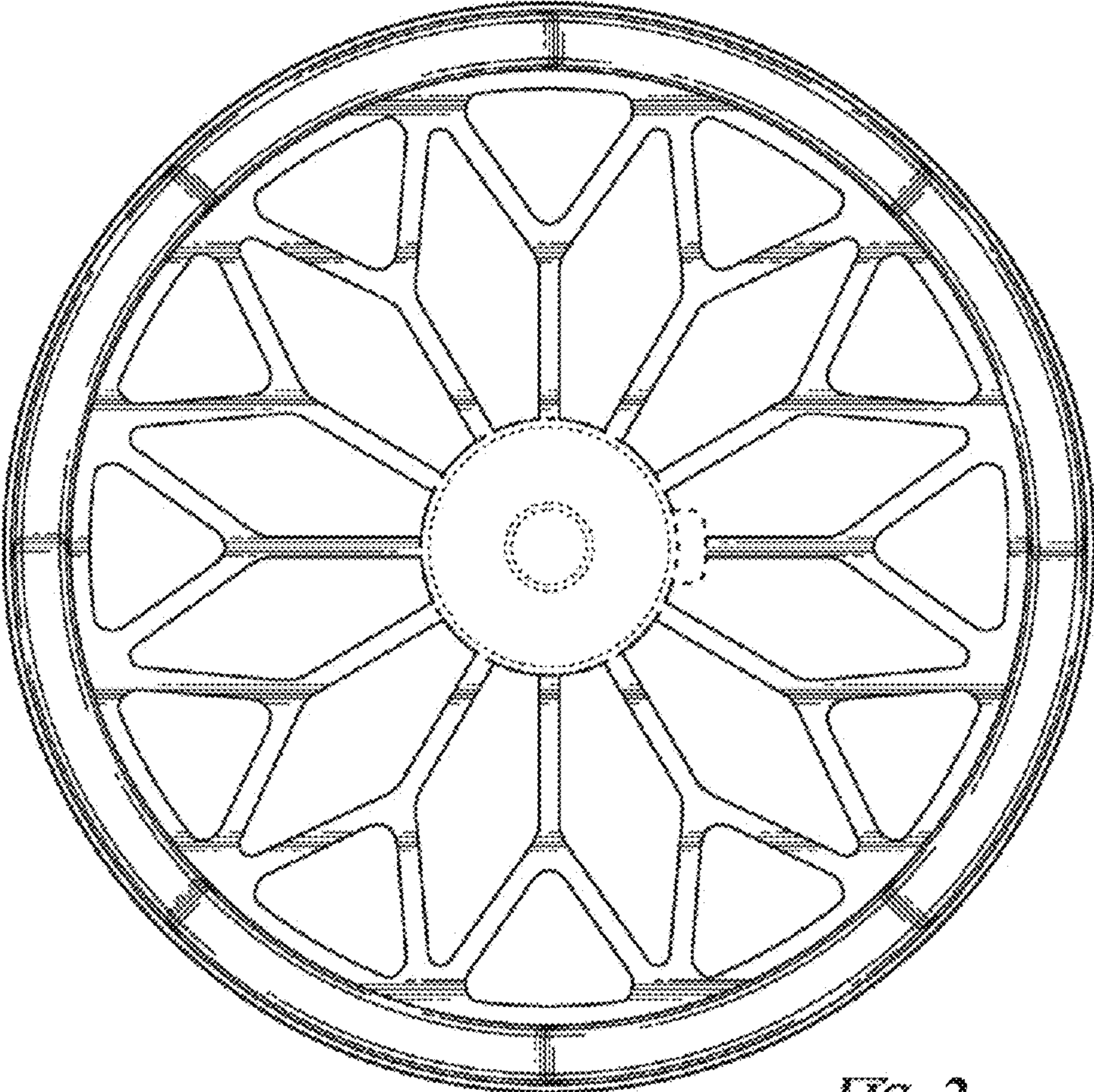


FIG. 2

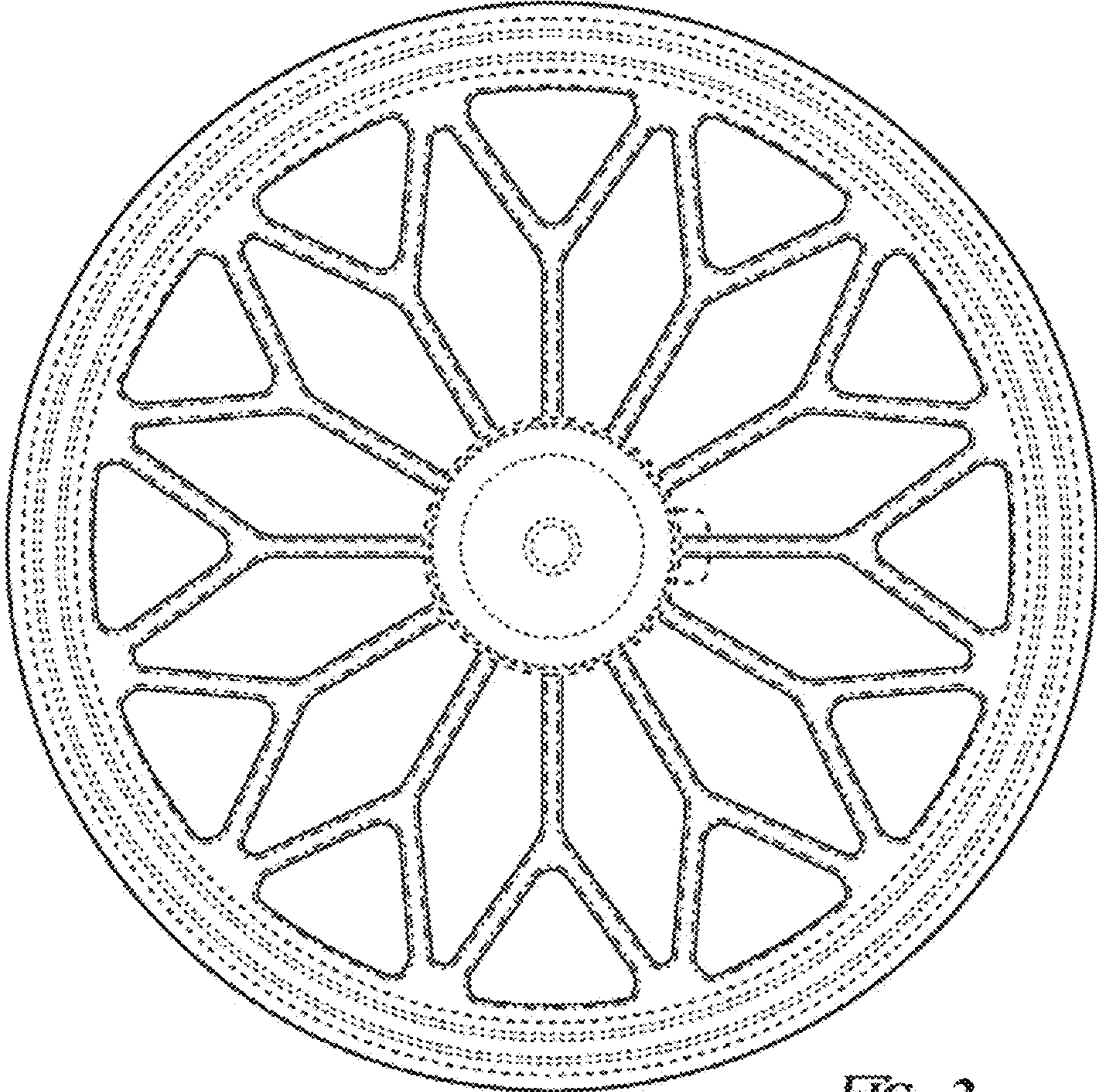


FIG. 3



FIG. 4



FIG. 5



FIG. 6



FIG. 7