



US00D761379S

(12) **United States Design Patent**
Hart

(10) **Patent No.:** **US D761,379 S**
(45) **Date of Patent:** **** Jul. 12, 2016**

(54) **SKID MOUNTED WATER STORAGE TANK**

(71) Applicant: **Gordon Hart**, Rocky Mountain House (CA)

(72) Inventor: **Gordon Hart**, Rocky Mountain House (CA)

(**) Term: **15 Years**

(21) Appl. No.: **29/528,719**

(22) Filed: **May 31, 2015**

(30) **Foreign Application Priority Data**

May 8, 2015 (CA) 162292

(51) **LOC (10) Cl.** **23-01**

(52) **U.S. Cl.**
USPC **D23/202**

(58) **Field of Classification Search**
USPC D23/202, 203; 220/4.12, 4.14, 562, 220/565, 586, 587, 905, 581, 582, 1.5; 206/386
CPC B65D 9/08; B65D 2519/00273; B65D 88/128; B60K 15/03
See application file for complete search history.

(56) **References Cited**

U.S. PATENT DOCUMENTS

5,163,572 A * 11/1992 Gerhard B65D 88/128 220/1.5
D418,196 S * 12/1999 Faltys D23/202
6,135,287 A * 10/2000 Hartwall B65D 19/18 206/600
6,247,594 B1 * 6/2001 Garton B65D 19/04 206/512
7,107,912 B2 * 9/2006 ScHutz B65D 19/10 108/55.1

7,997,441 B2 * 8/2011 Marcel B65D 88/128 206/386
D728,732 S * 5/2015 Higgins D23/202
9,045,267 B2 * 6/2015 Schutz B65D 19/0048

* cited by examiner

Primary Examiner — Robin V Webster

(74) *Attorney, Agent, or Firm* — Sander R. Gelsing

(57) **CLAIM**

The ornamental design for a skid mounted water storage tank, as shown and described.

DESCRIPTION

FIG. 1 is a front view of the embodiment of the skid mounted water storage tank;
FIG. 2 is a rear view of the embodiment of the skid mounted water storage tank of the embodiment of FIG. 1;
FIG. 3 is a right view of the embodiment of the skid mounted water storage tank of the embodiment of FIG. 1;
FIG. 4 is a left view of the embodiment of the skid mounted water storage tank of the embodiment of FIG. 1;
FIG. 5 is a top view of the embodiment of the skid mounted water storage tank of the embodiment of FIG. 1;
FIG. 6 is a bottom view of the embodiment of the skid mounted water storage tank of the embodiment of FIG. 1;
FIG. 7 is a perspective view of the embodiment of the skid mounted water storage tank of the embodiment of FIG. 1;
FIG. 8 is another perspective view of the embodiment of the skid mounted water storage tank of the embodiment of FIG. 1;
FIG. 9 is another perspective view of the embodiment of the skid mounted water storage tank of the embodiment of FIG. 1; and,
FIG. 10 is another perspective view of the embodiment of the skid mounted water storage tank of the embodiment of FIG. 1.

1 Claim, 5 Drawing Sheets

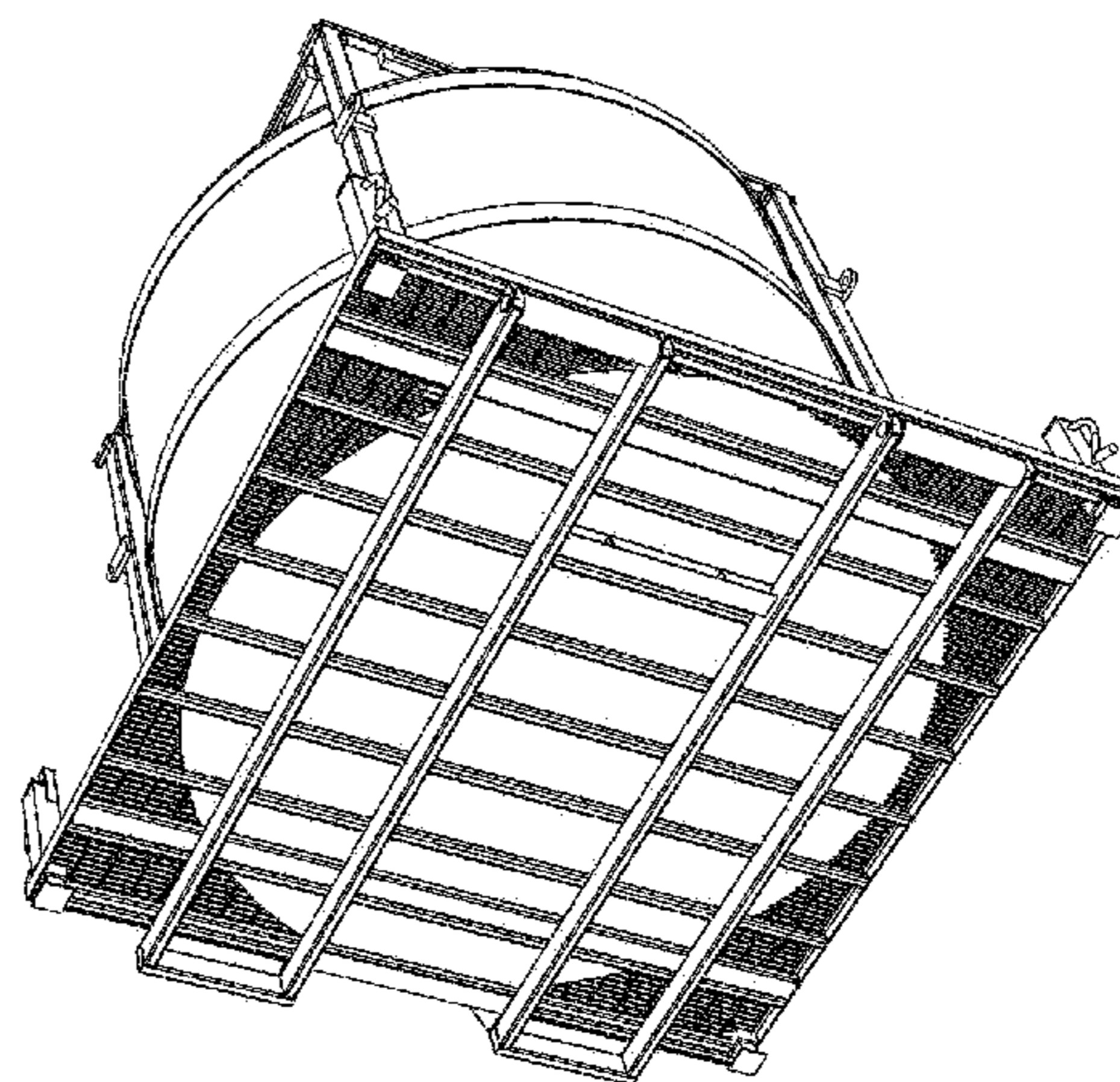
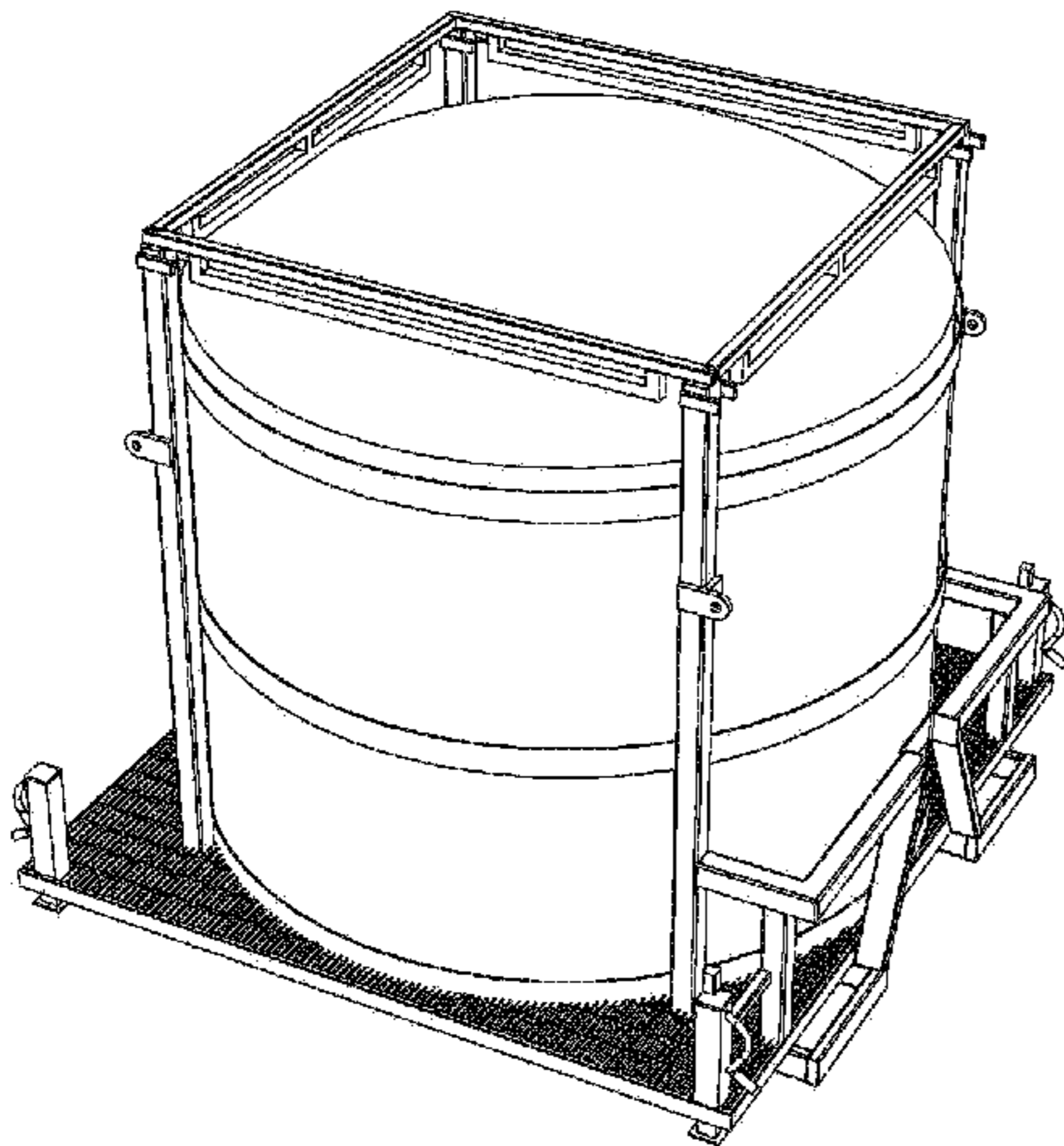


Figure 1

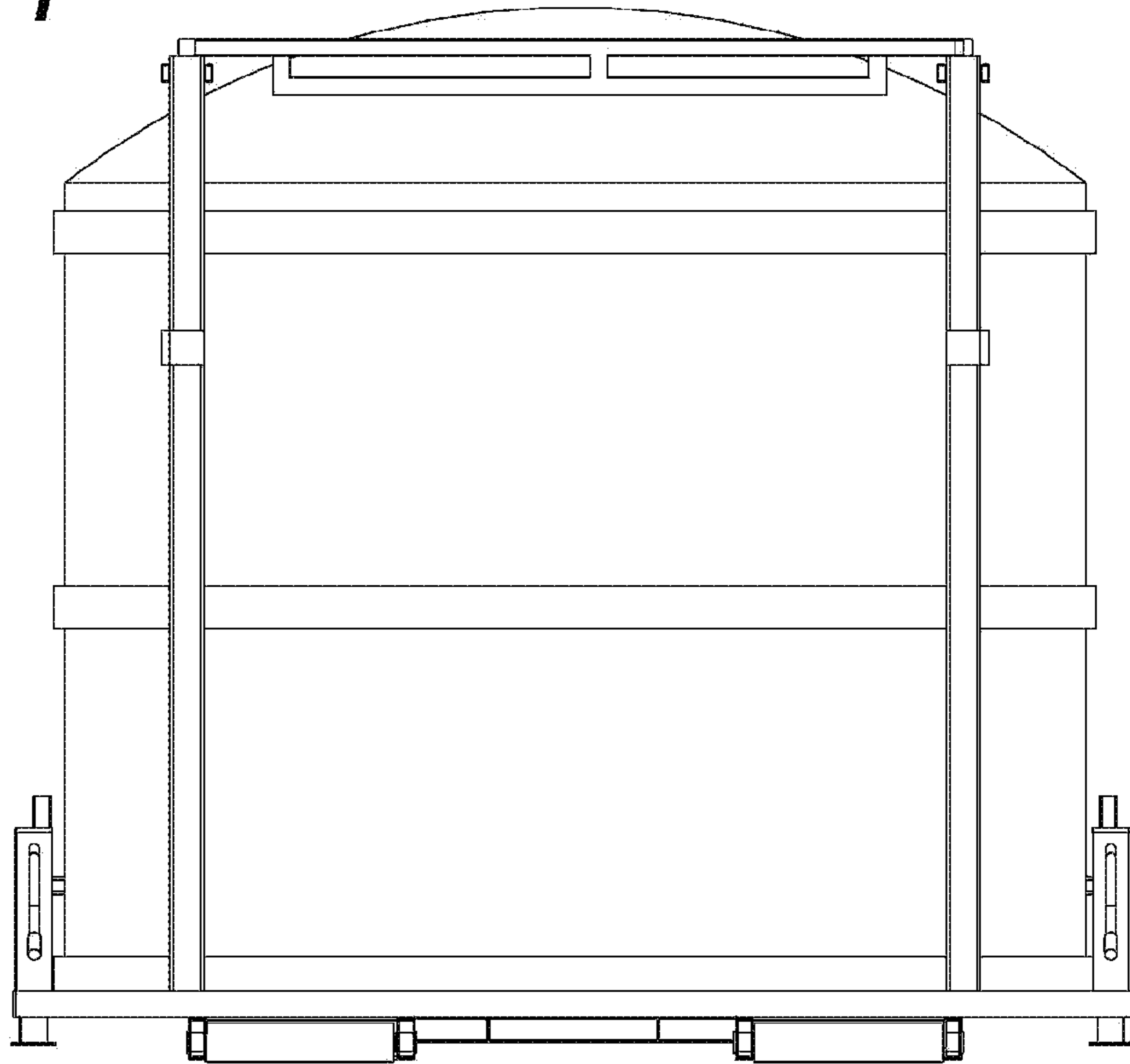


Figure 2

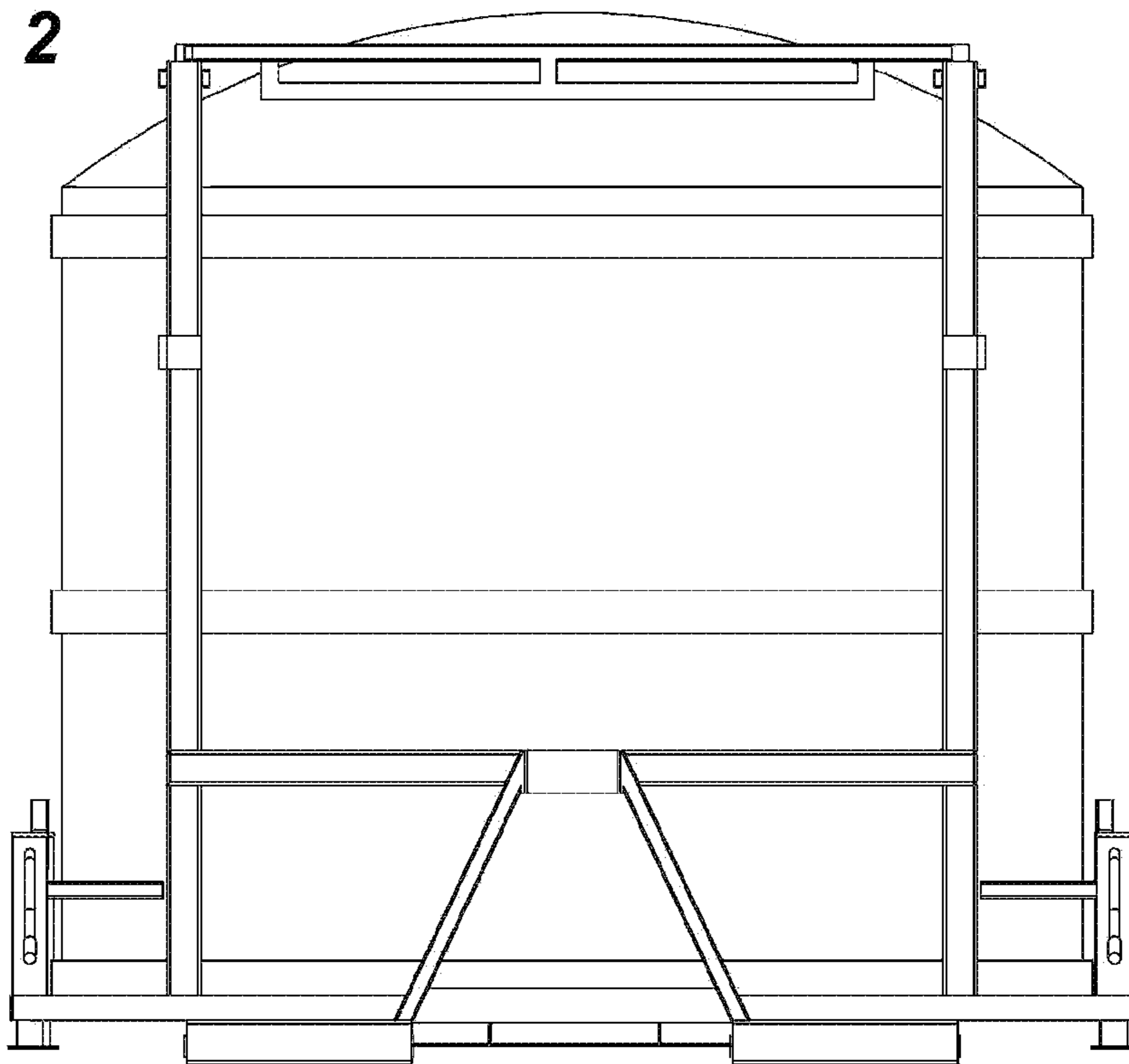


Figure 3

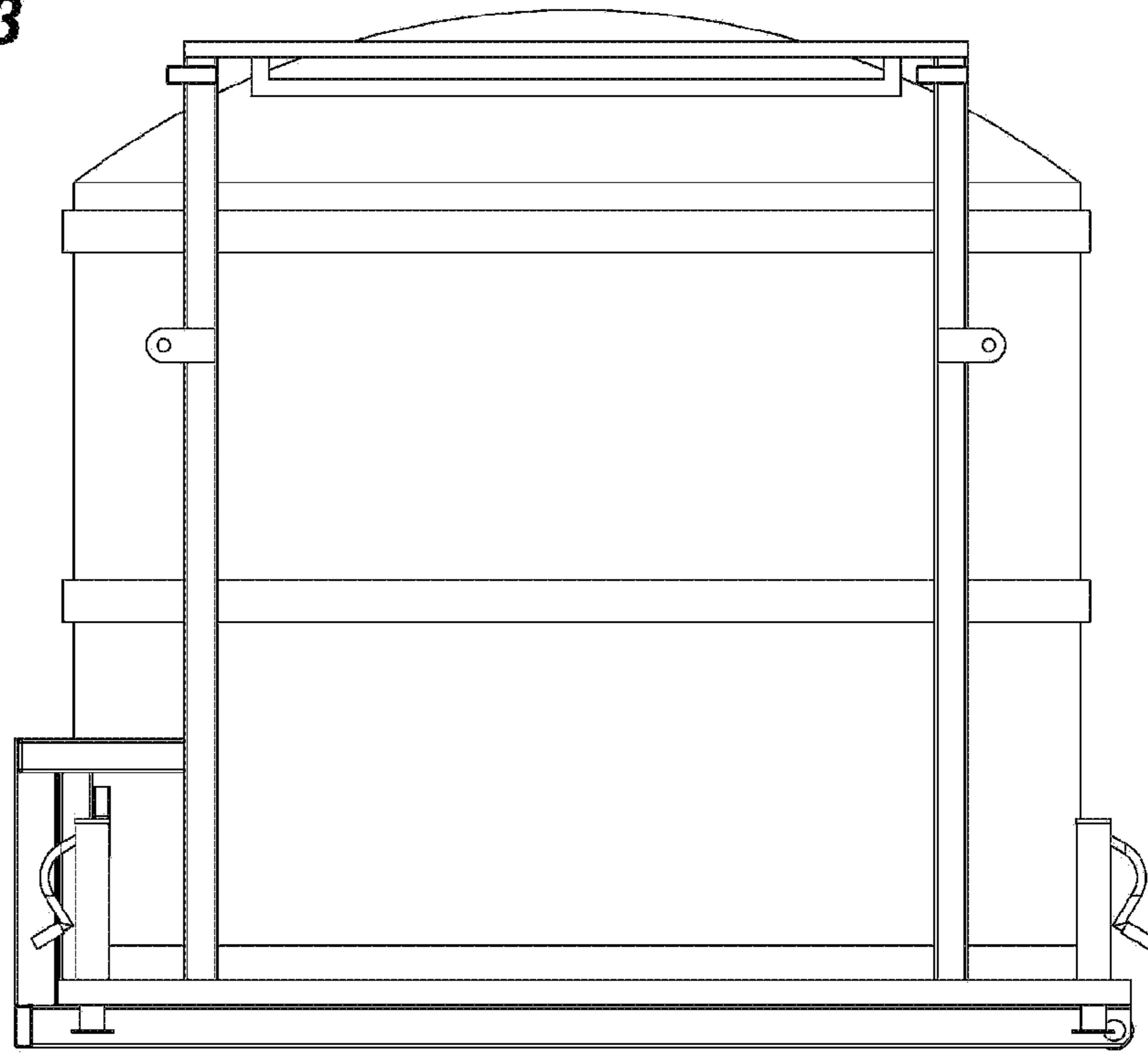


Figure 4

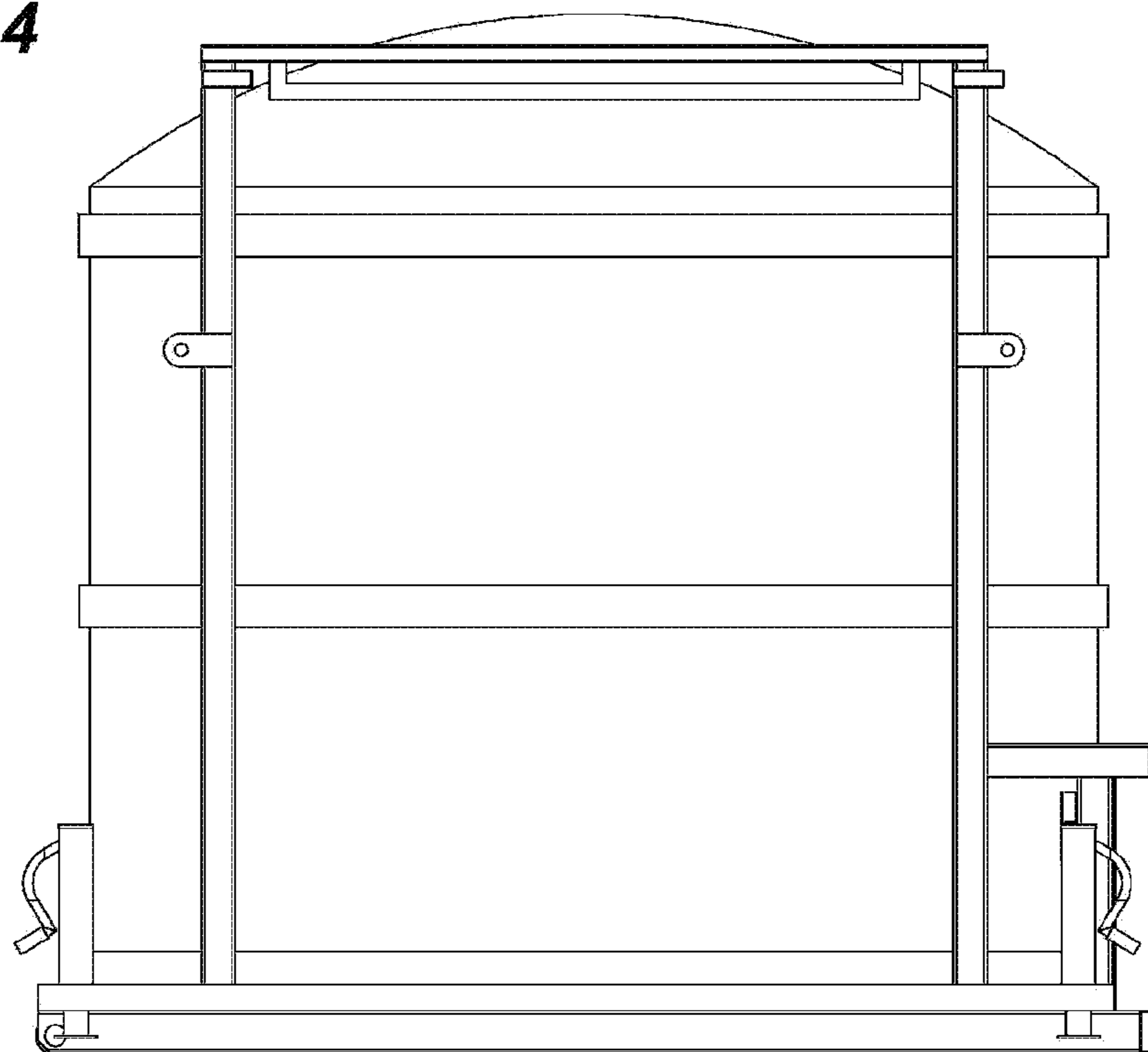


Figure 5

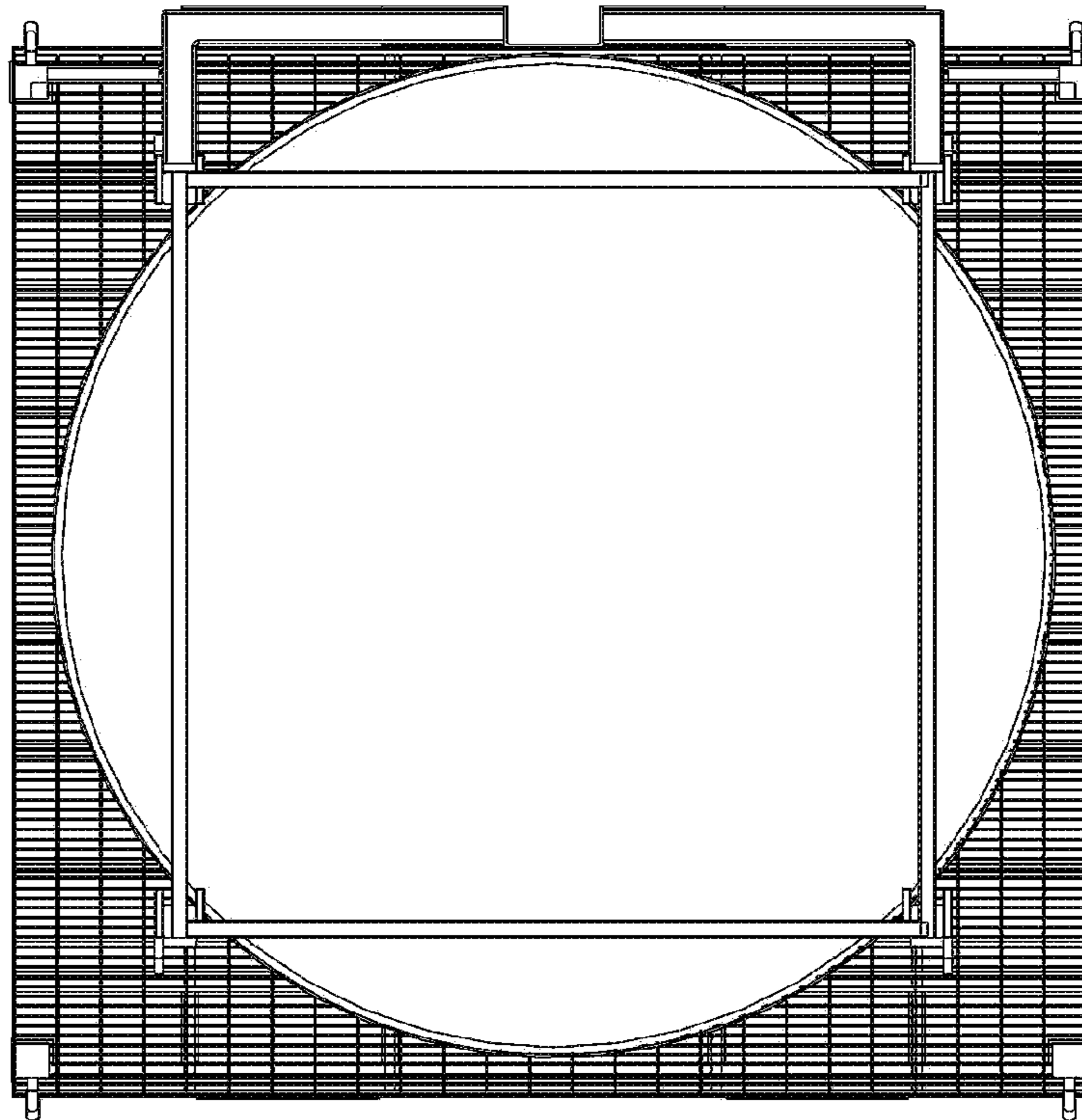


Figure 6

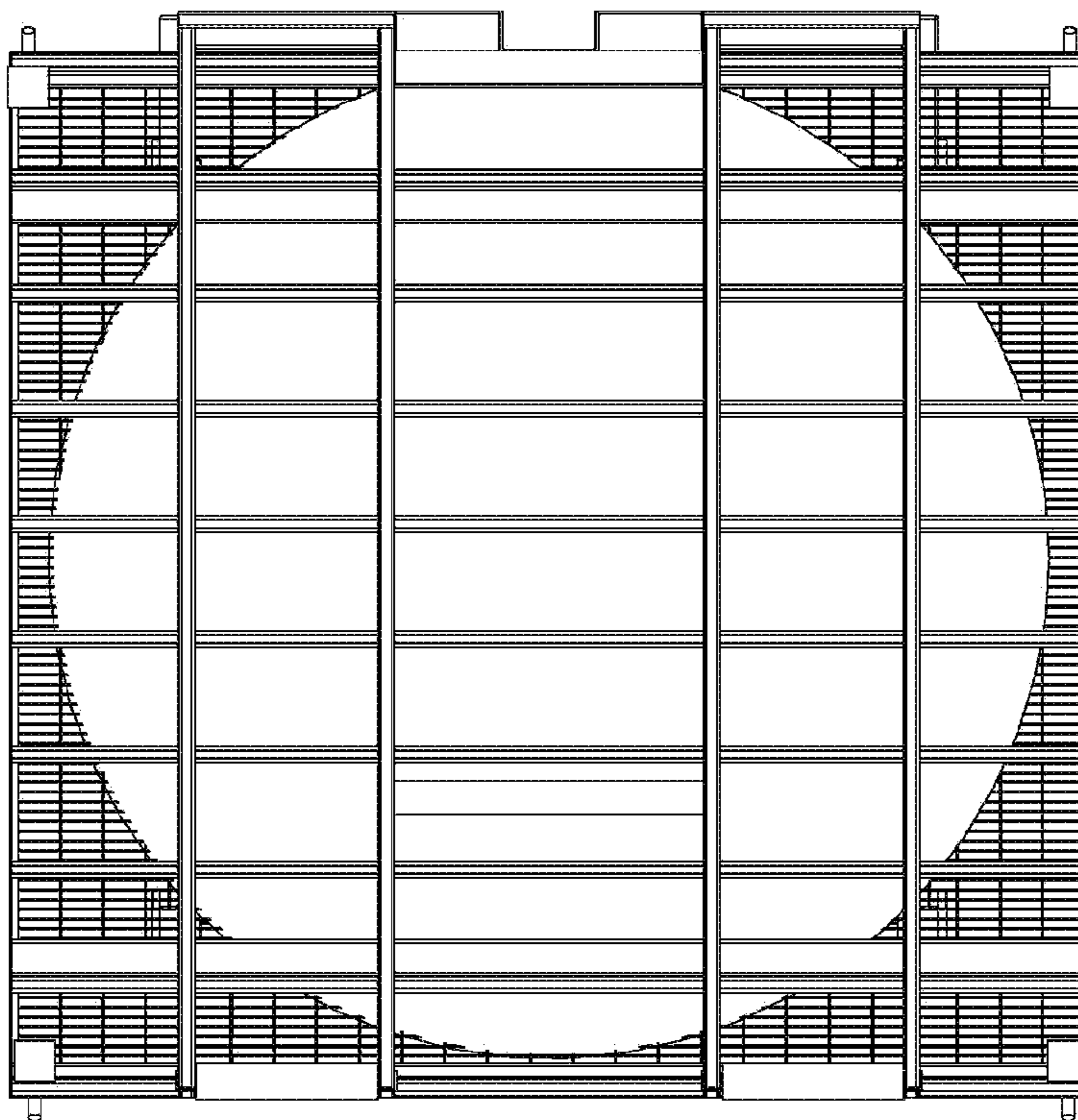


Figure 7

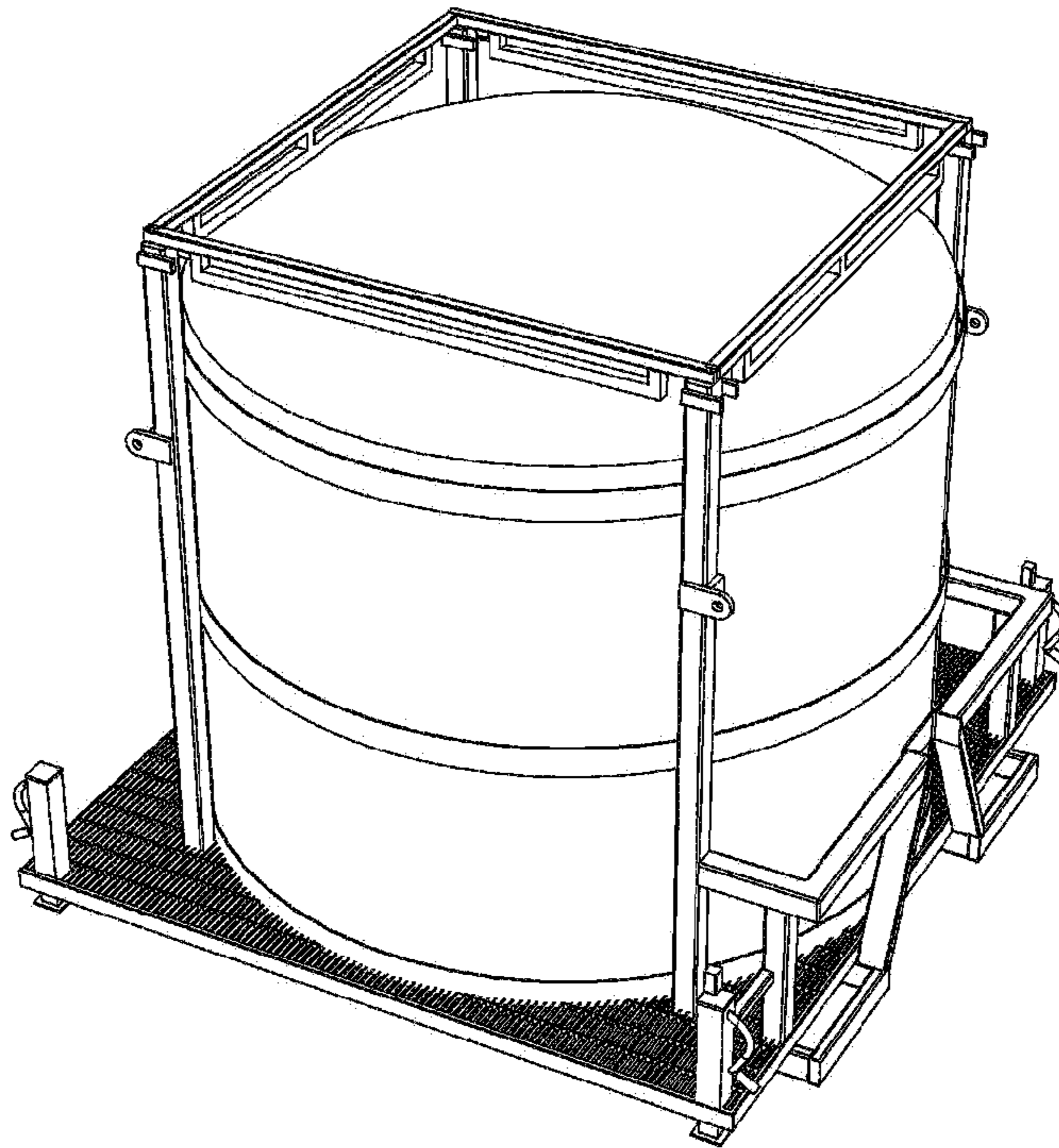


Figure 8

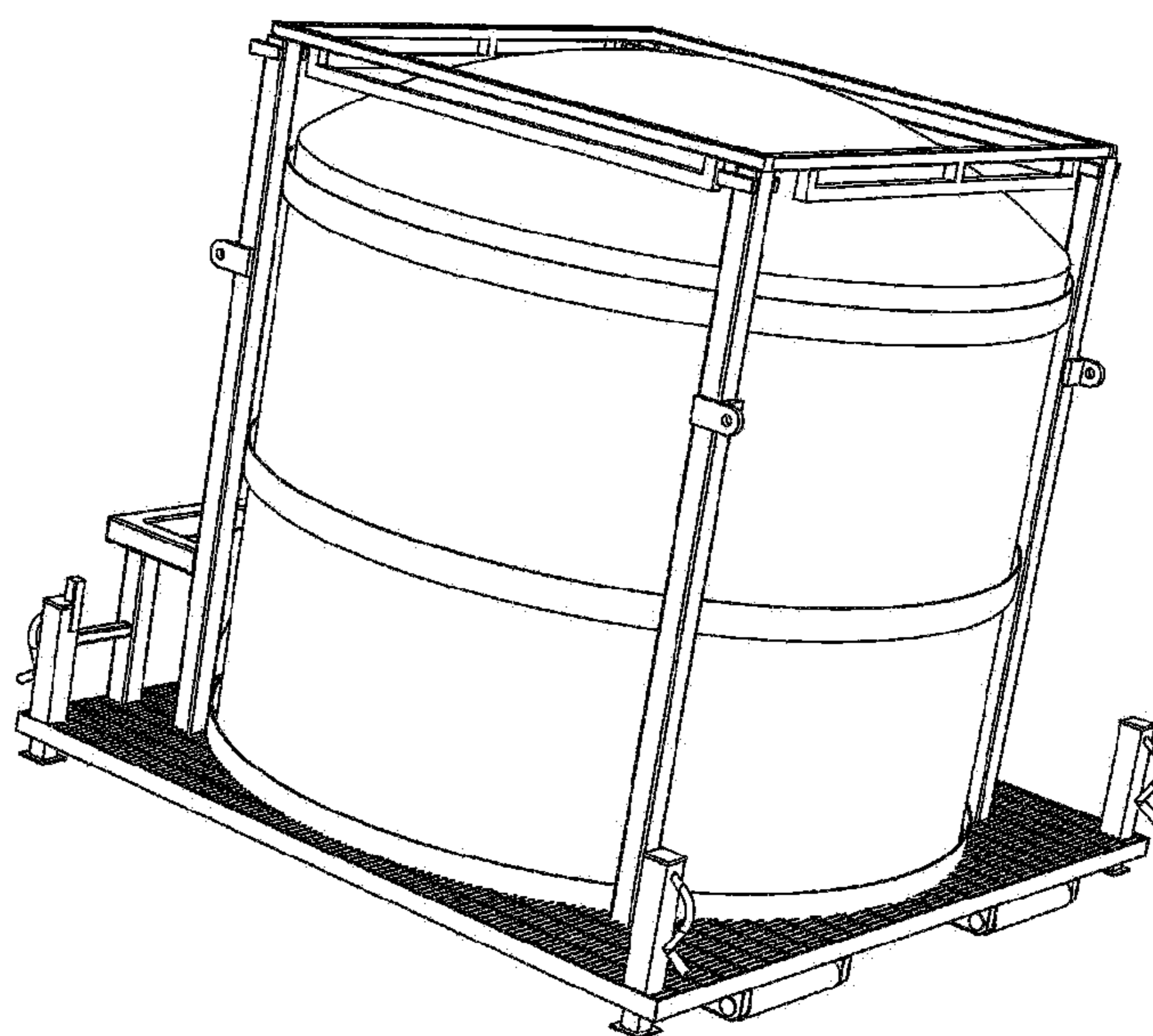


Figure 9

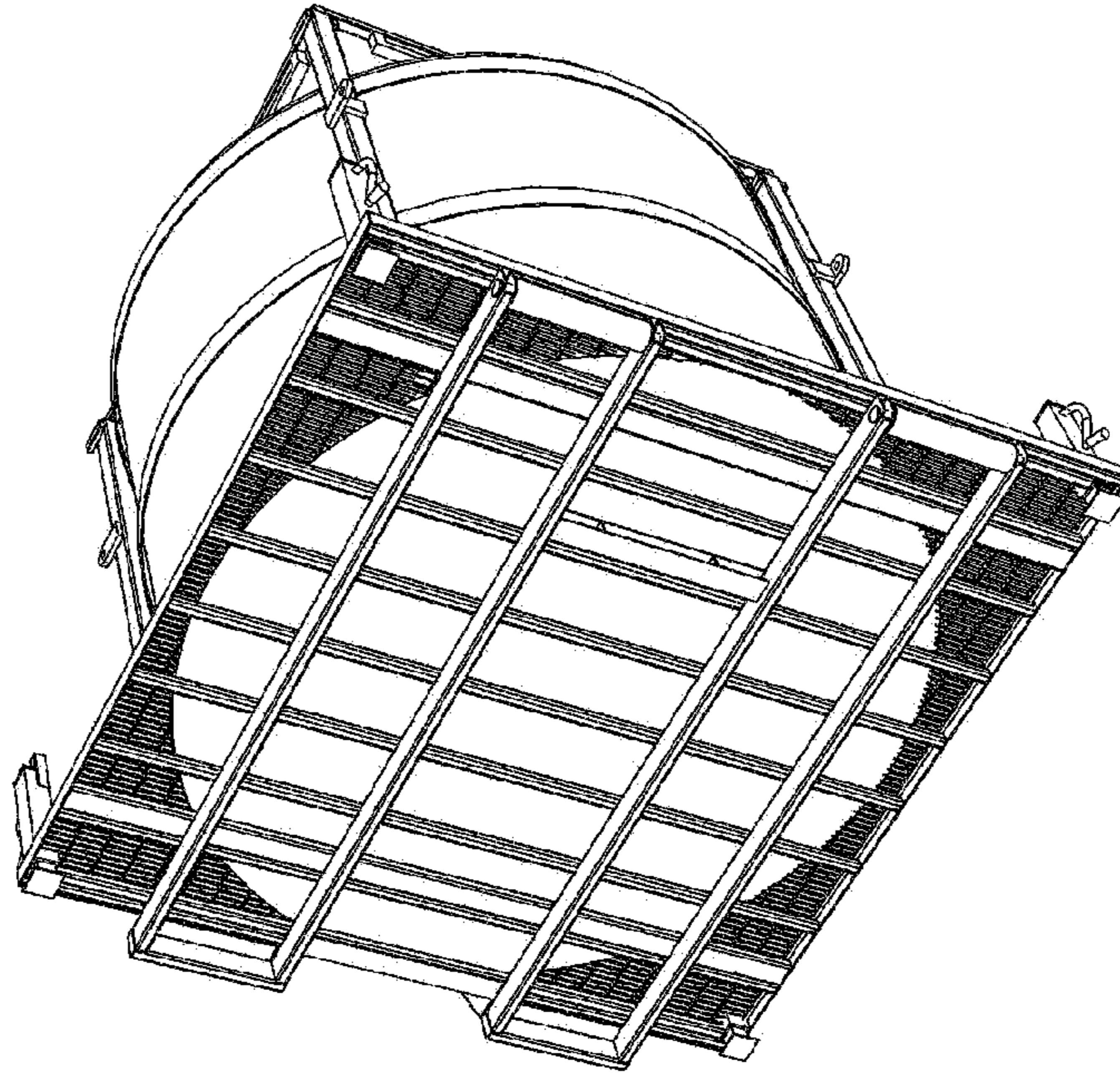


Figure 10

