



US00D761378S

(12) **United States Design Patent**
Lasche

(10) **Patent No.:** **US D761,378 S**
(45) **Date of Patent:** **** Jul. 12, 2016**

(54) **HANDLE GRIP FOR RATTLING ANTLER**

(71) Applicant: **Nathan J. Lasche**, Fall River, WI (US)

(72) Inventor: **Nathan J. Lasche**, Fall River, WI (US)

(**) Term: **14 Years**

(21) Appl. No.: **29/518,331**

(22) Filed: **Feb. 23, 2015**

(51) **LOC (10) Cl.** **22-99**

(52) **U.S. Cl.**
USPC **D22/199**

(58) **Field of Classification Search**

USPC D22/125, 199; D8/300, 303, 305;
446/397, 421; 428/16, 542.4; 74/551.9
CPC A01M 31/004; B62K 21/26
See application file for complete search history.

(56) **References Cited**

U.S. PATENT DOCUMENTS

D273,935 S *	5/1984	Bolster	D8/303
4,850,928 A *	7/1989	Stewart	A01M 31/004 428/16
5,125,286 A *	6/1992	Wilson	B62K 21/26 74/551.9
7,044,020 B2 *	5/2006	Rosenthal	B62K 21/26 74/551.9
D537,317 S *	2/2007	Jackson, Jr.	D8/300
D551,535 S *	9/2007	Wake	D8/303
D596,476 S *	7/2009	Welch	D8/303
D621,680 S *	8/2010	Hsu	D8/303
D626,816 S *	11/2010	Claxton	D8/303

OTHER PUBLICATIONS

Website. Rak-Grip, <http://www.oioioutdoor.com/RAK-GRIP.html>. 2 pages, dated Apr. 24, 2015.

* cited by examiner

Primary Examiner — Catheri Oliver-Garcia

(74) *Attorney, Agent, or Firm* — Ryan Kromholz & Manion, S.C.

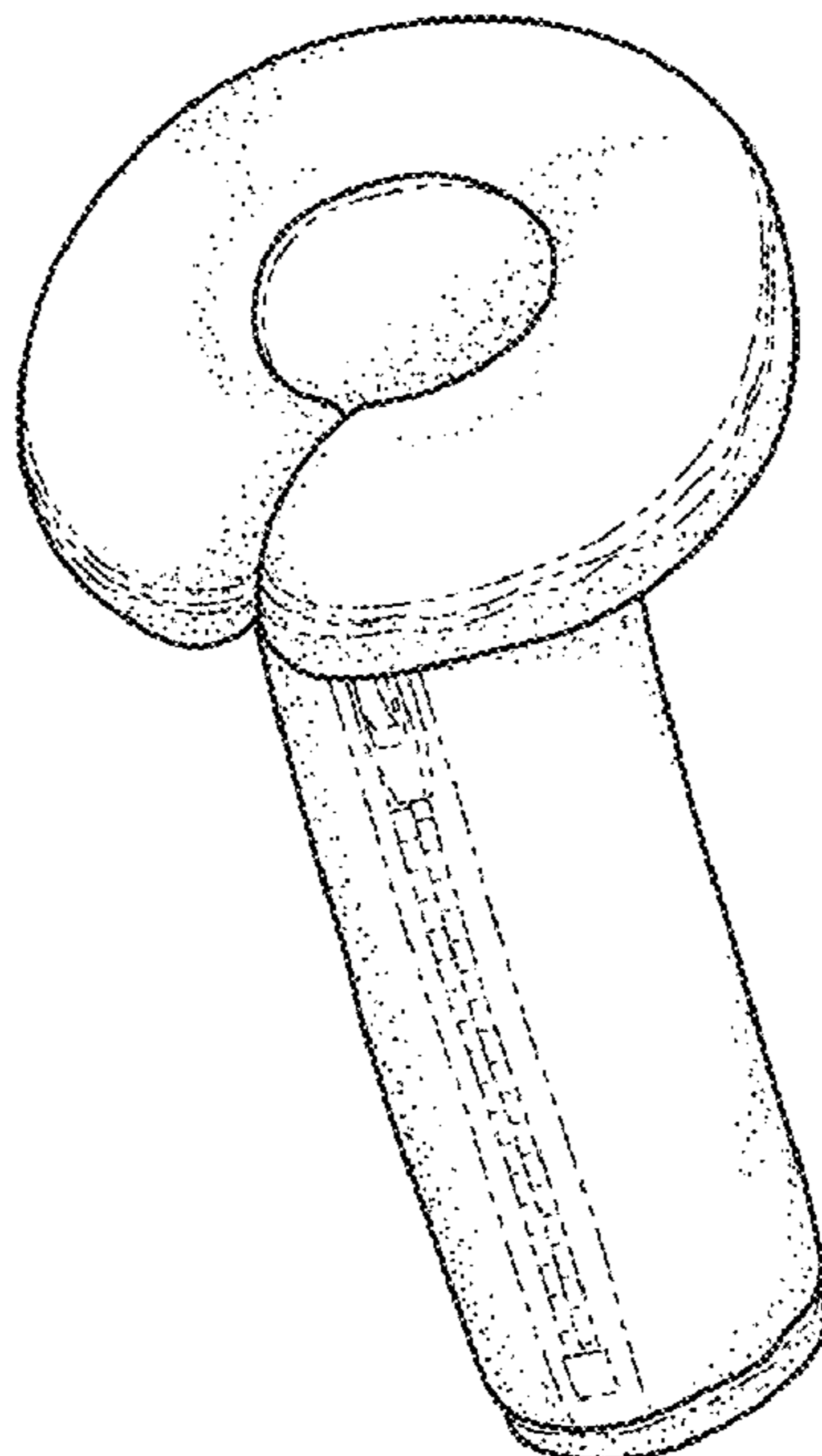
(57) **CLAIM**

I claim the ornamental design for a handle grip for rattling antler, as shown and described.

DESCRIPTION

FIG. 1 is a front and bottom perspective view of a handle grip for rattling antler, the handle grip for a rattling antler secured about a main base of an antler;
FIG. 2 is a front and top perspective view of the handle grip for a rattling antler;
FIG. 3 is a front elevation view of the handle grip for a rattling antler;
FIG. 4 is a rear elevation view of the handle grip for a rattling antler;
FIG. 5 is a side view of the handle grip for a rattling antler;
FIG. 6 is an opposite side view of the handle grip for a rattling antler;
FIG. 7 is a top plan view of the handle grip for a rattling antler;
and,
FIG. 8 is a bottom plan view of the handle grip for a rattling antler.
The broken lines depict environmental structure and form no part of the claimed design.

1 Claim, 2 Drawing Sheets



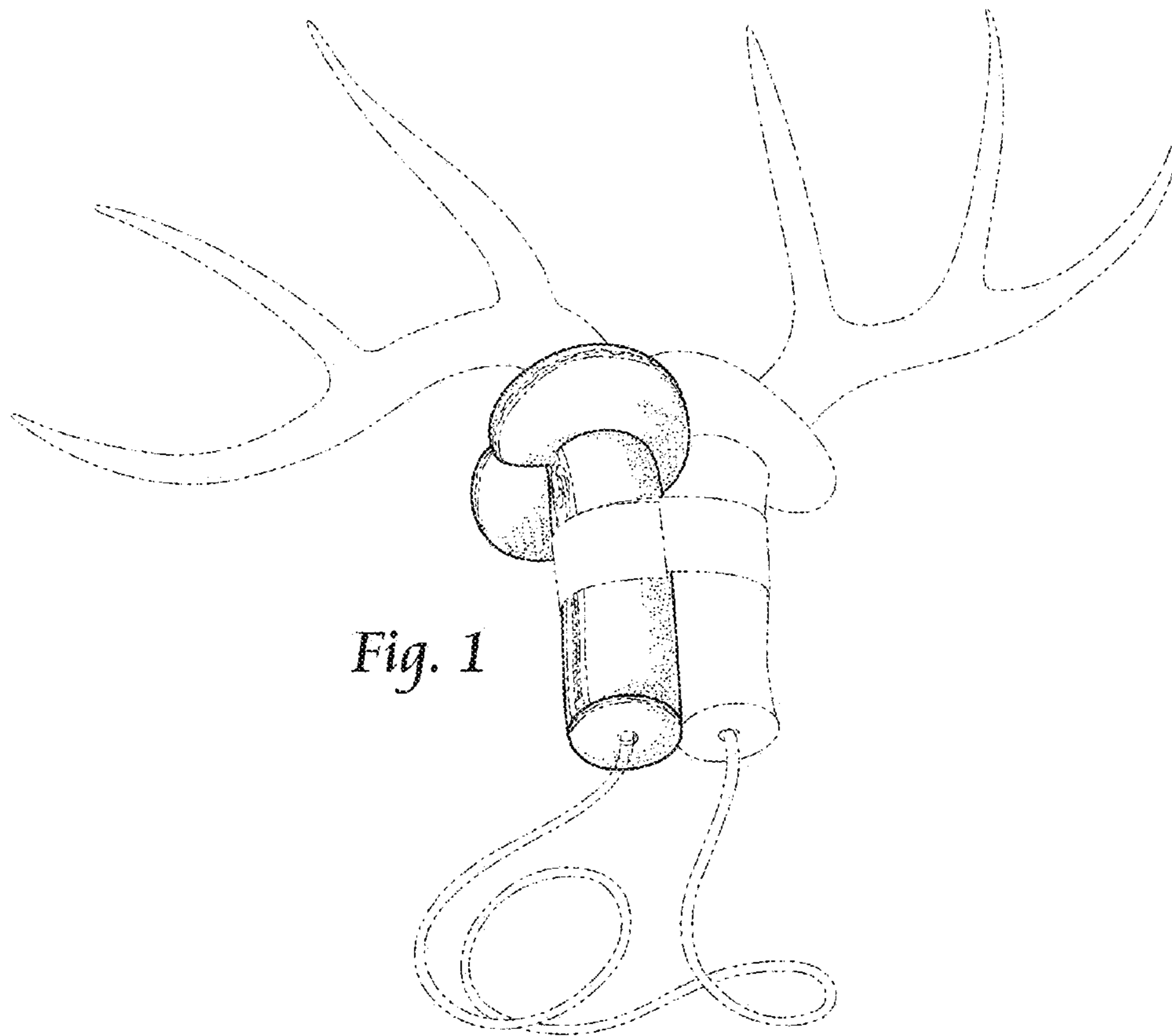


Fig. 1

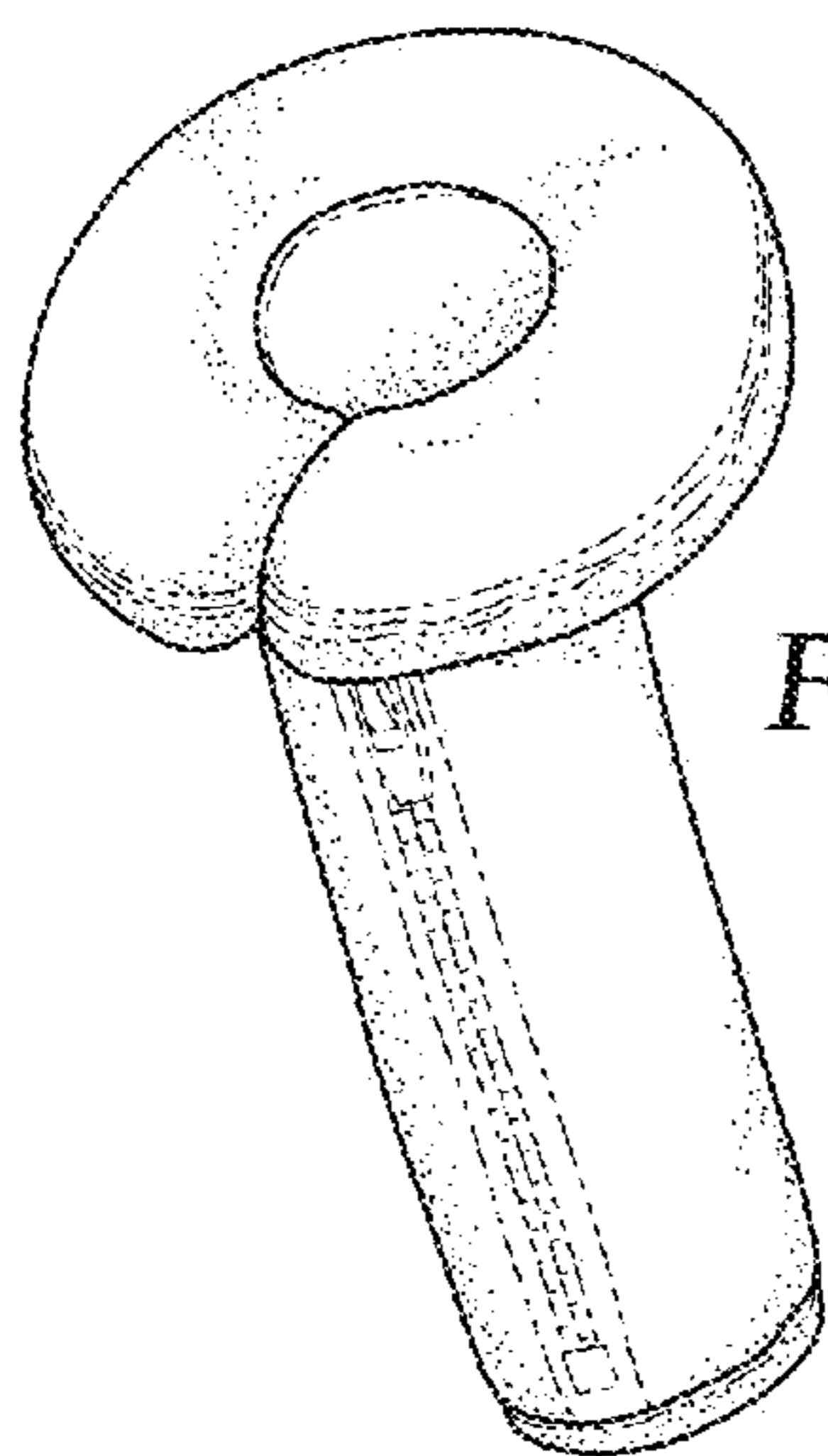


Fig. 2

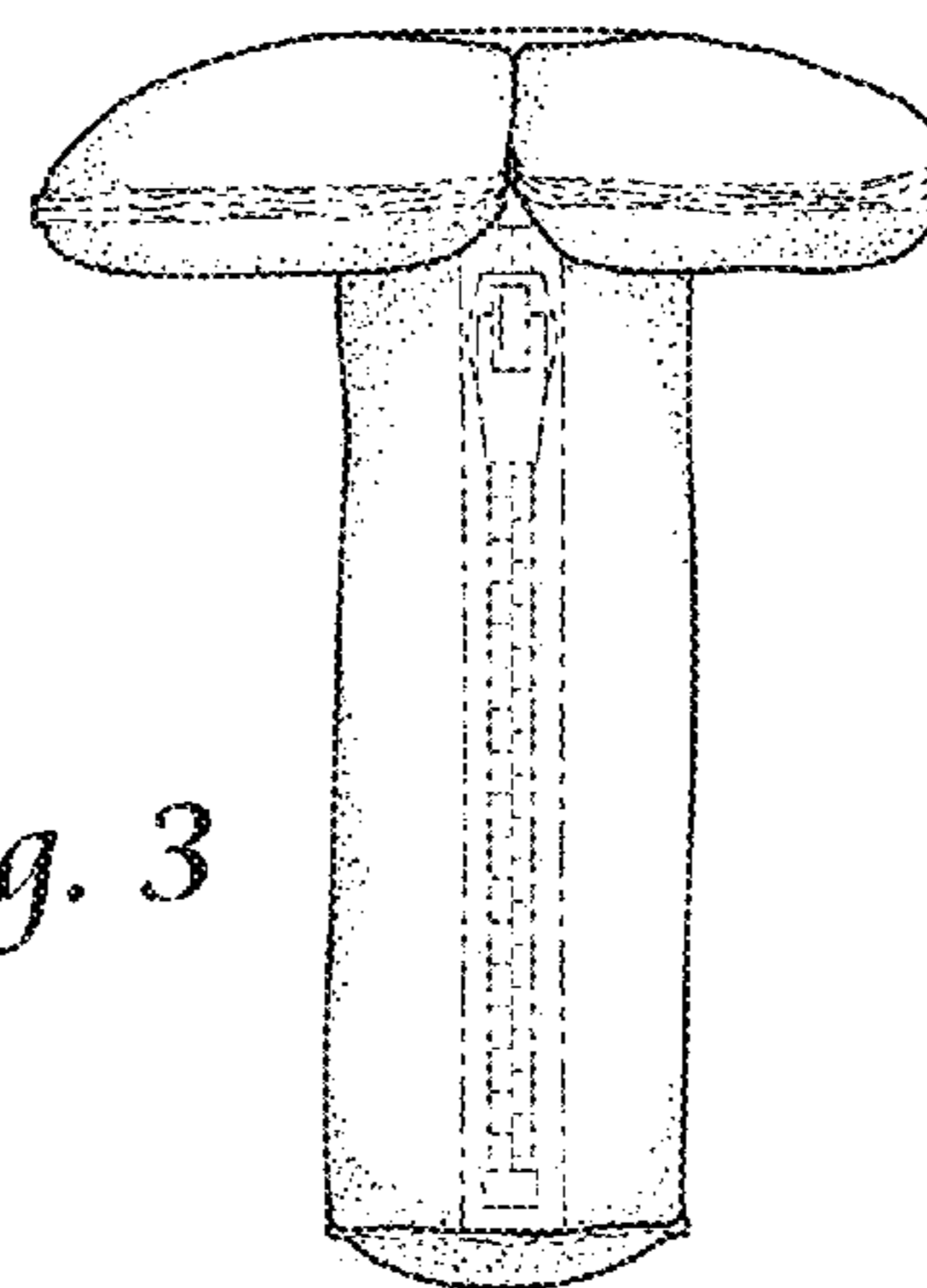


Fig. 3

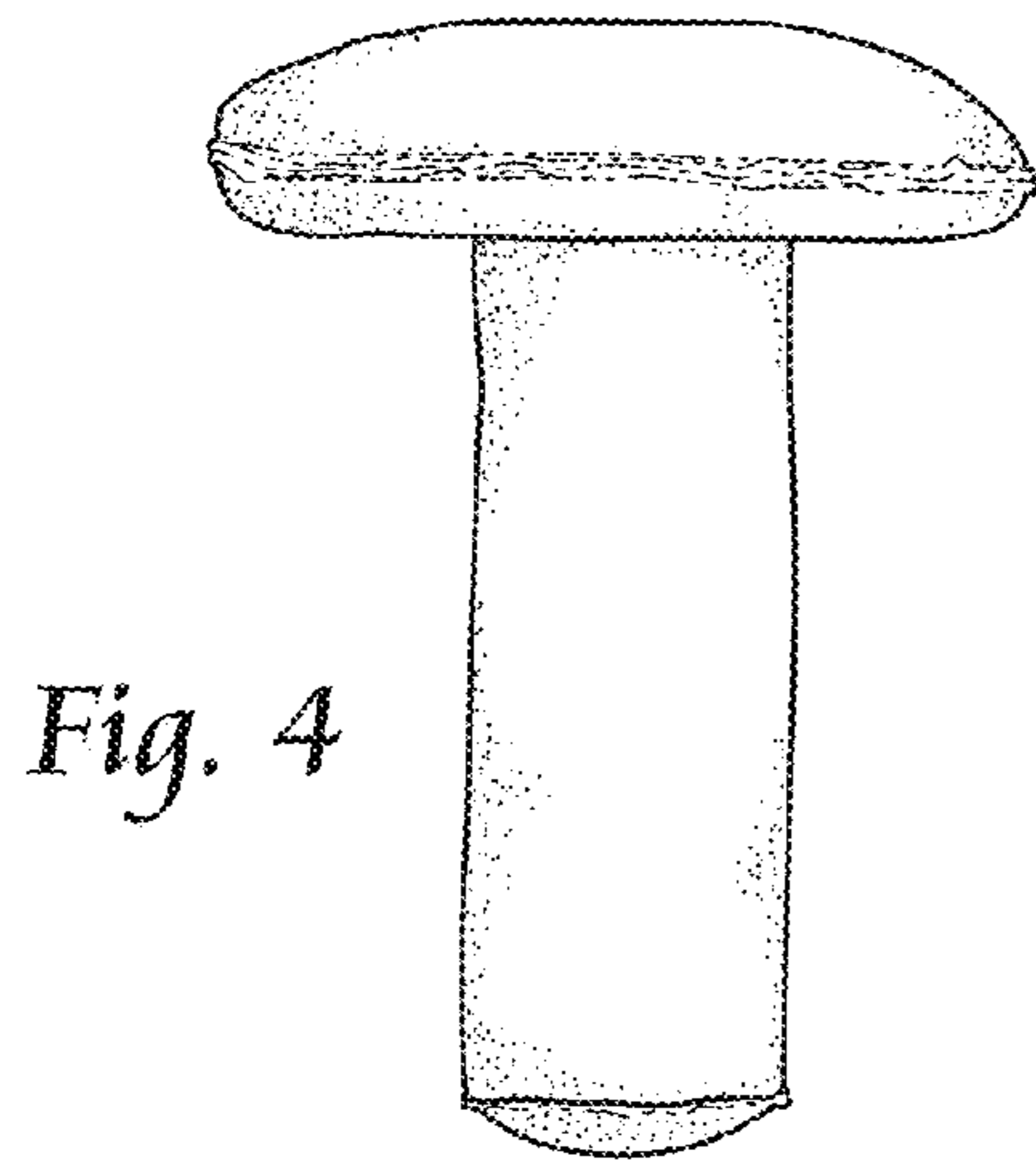


Fig. 4

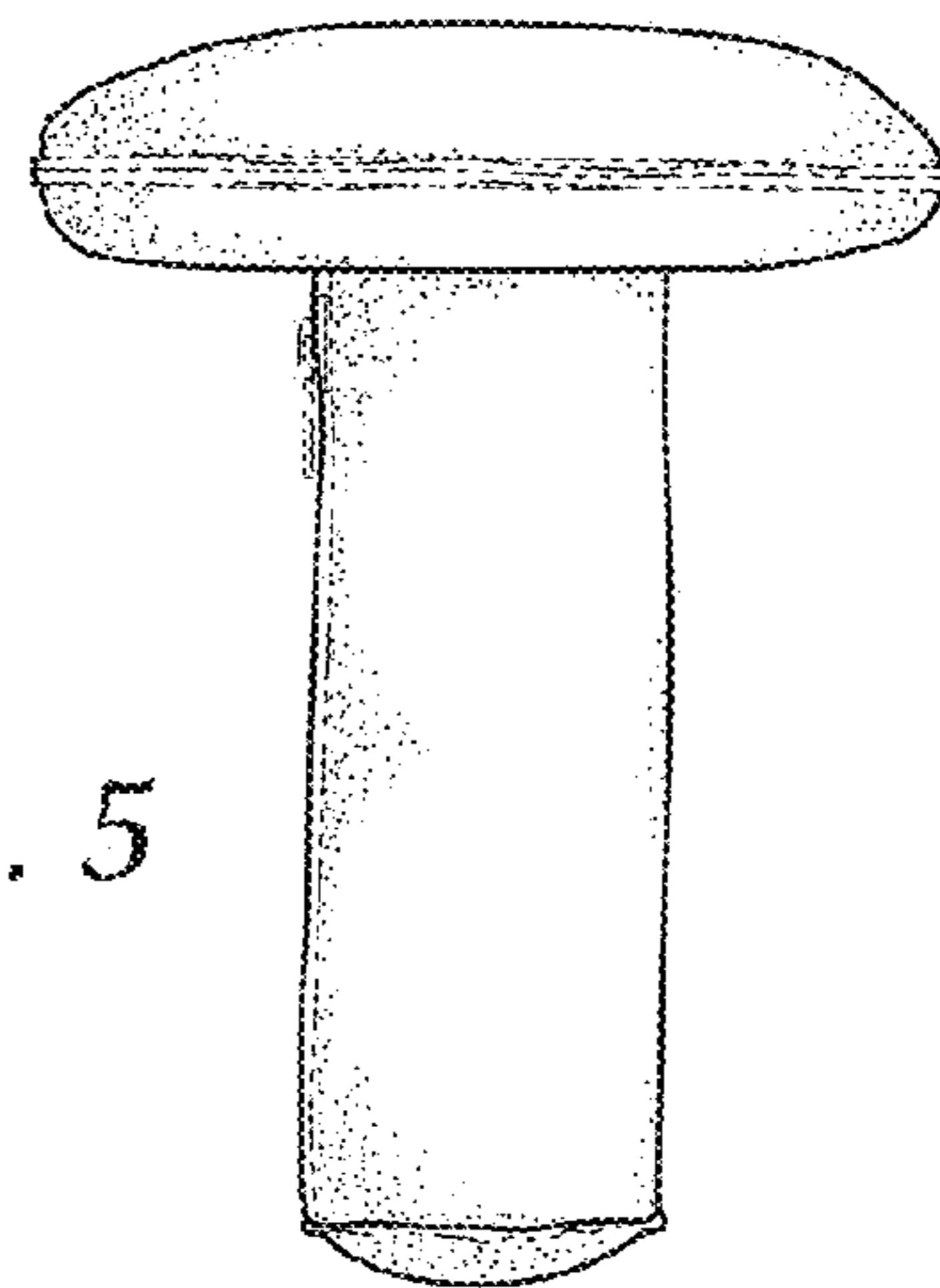


Fig. 5

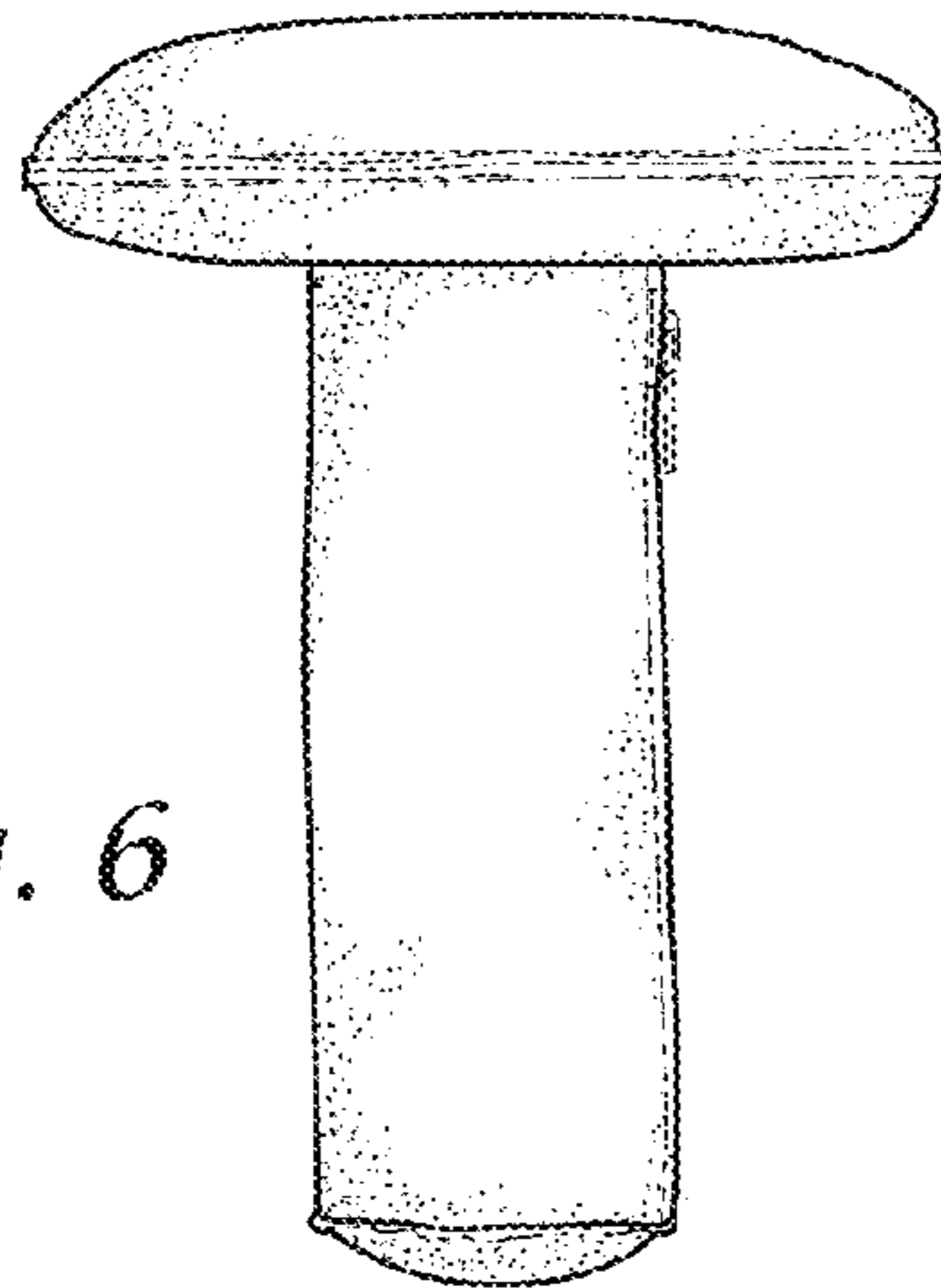


Fig. 6

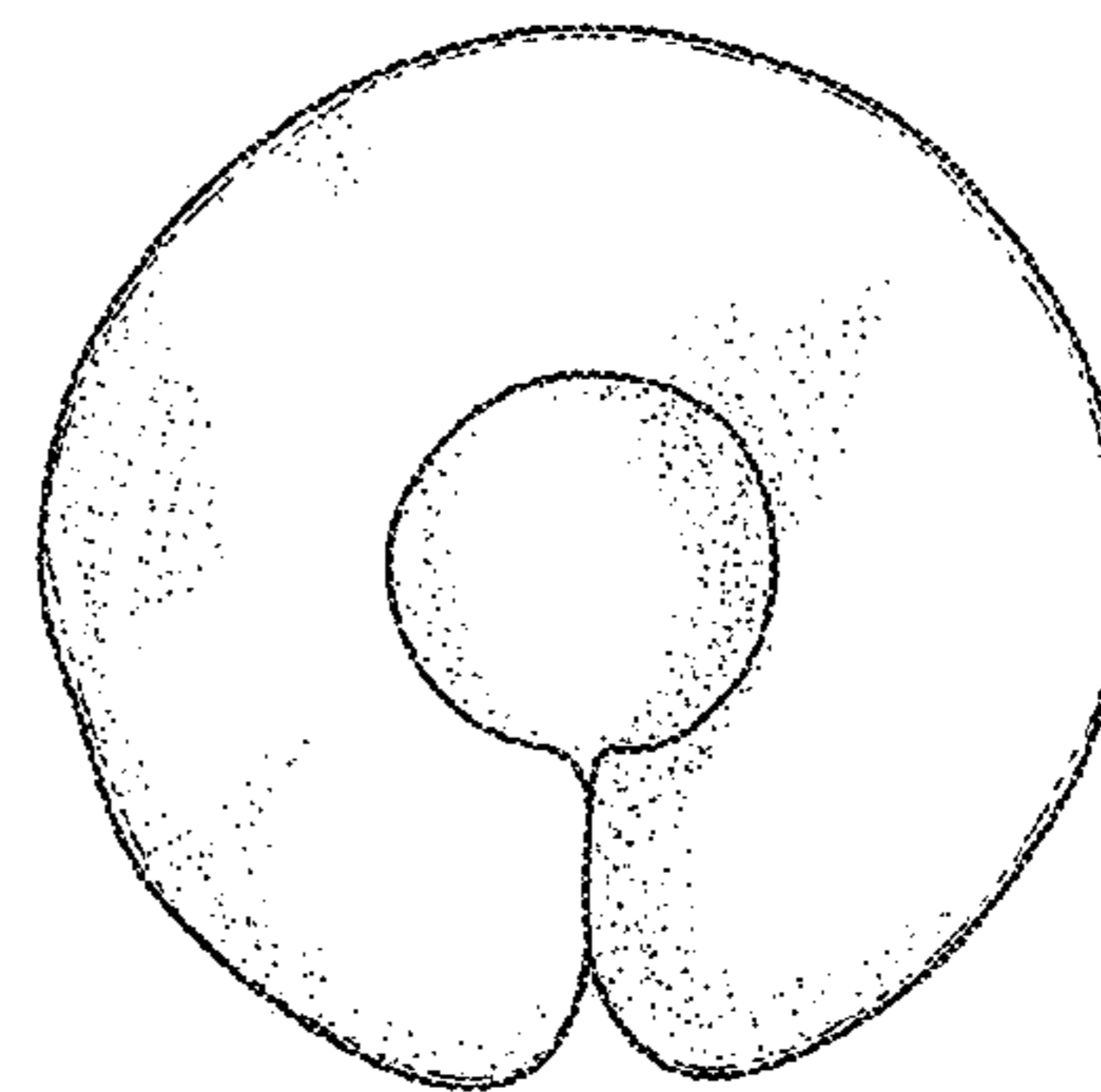


Fig. 7

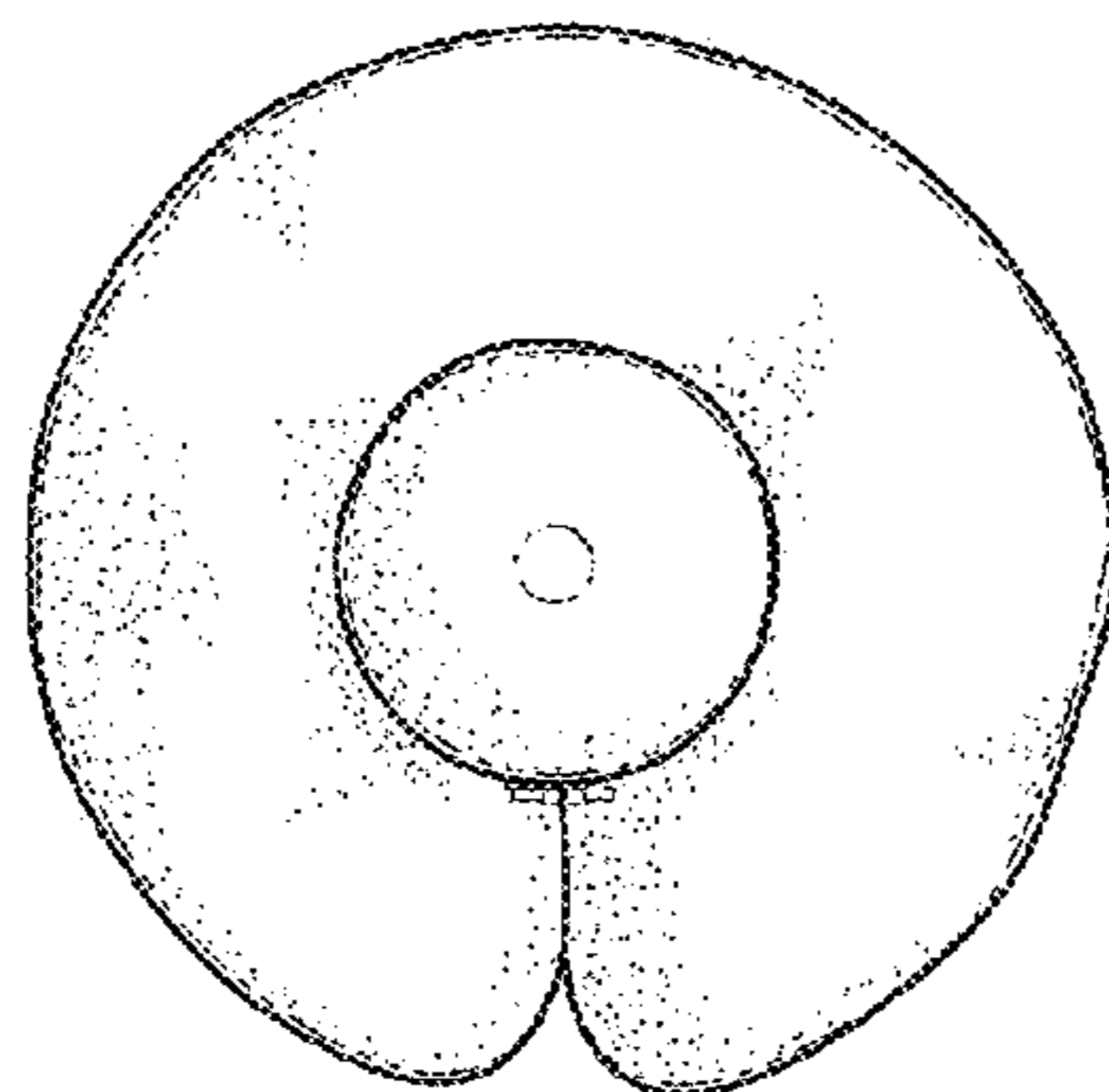


Fig. 8