



US00D761374S

(12) **United States Design Patent**  
**Ellsworth**

(10) **Patent No.:** **US D761,374 S**  
(45) **Date of Patent:** **\*\* Jul. 12, 2016**

- (54) **PISTOL CHARGING HANDLE**
- (71) Applicant: **Thomas Ellsworth**, Excelsior, MN (US)
- (72) Inventor: **Thomas Ellsworth**, Excelsior, MN (US)
- (\*\*) Term: **14 Years**
- (21) Appl. No.: **29/515,535**
- (22) Filed: **Jan. 23, 2015**
- (51) **LOC (10) Cl.** ..... **22-01**
- (52) **U.S. Cl.**  
USPC ..... **D22/108**
- (58) **Field of Classification Search**  
USPC ..... D22/104, 108  
CPC ..... F41A 17/38; F41A 3/72; F41A 9/59  
See application file for complete search history.

(56) **References Cited**

**U.S. PATENT DOCUMENTS**

- 1,680,186 A \* 8/1928 Von Frommer ..... F41A 3/66  
42/106
- 6,775,940 B2 \* 8/2004 Dworzan ..... F41A 17/06  
42/1.01
- 8,468,734 B2 \* 6/2013 Meller ..... F41A 3/72  
72/71.02
- 9,239,207 B2 \* 1/2016 Kresser ..... F41A 3/72
- 9,291,413 B1 \* 3/2016 Viani ..... F41A 3/72

- 2011/0154710 A1\* 6/2011 Hatfield ..... F41A 19/34  
42/90
- 2014/0298703 A1\* 10/2014 Gale ..... F41C 27/00  
42/71.02
- 2015/0354909 A1\* 12/2015 Tarantino ..... F41A 3/72  
89/1.4

\* cited by examiner

*Primary Examiner* — Michael A Pratt

(74) *Attorney, Agent, or Firm* — Dicke, Billig & Czaja, PLLC

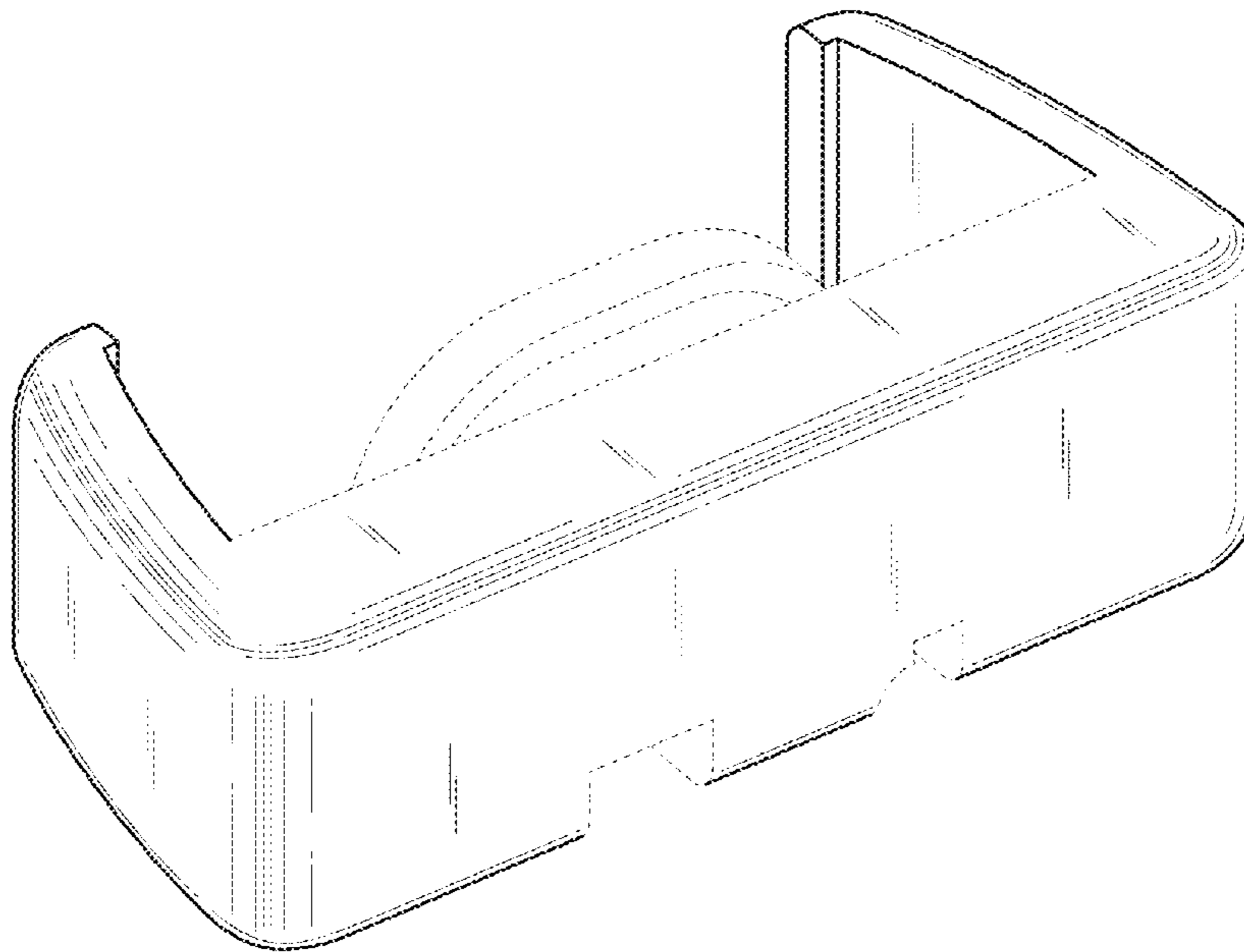
(57) **CLAIM**

The ornamental design for a pistol charging handle, as shown and described.

**DESCRIPTION**

FIG. 1 is a perspective view of the pistol charging handle of the present invention.  
 FIG. 2 is a top side view thereof.  
 FIG. 3 is a bottom side view thereof.  
 FIG. 4 is a front elevation view thereof.  
 FIG. 5 is a rear elevation view thereof; and,  
 FIG. 6 is a first end view thereof, a second end being a mirror image of the first end view.  
 The pistol charging handle portions shown in broken lines form no part of the claimed design.

**1 Claim, 6 Drawing Sheets**



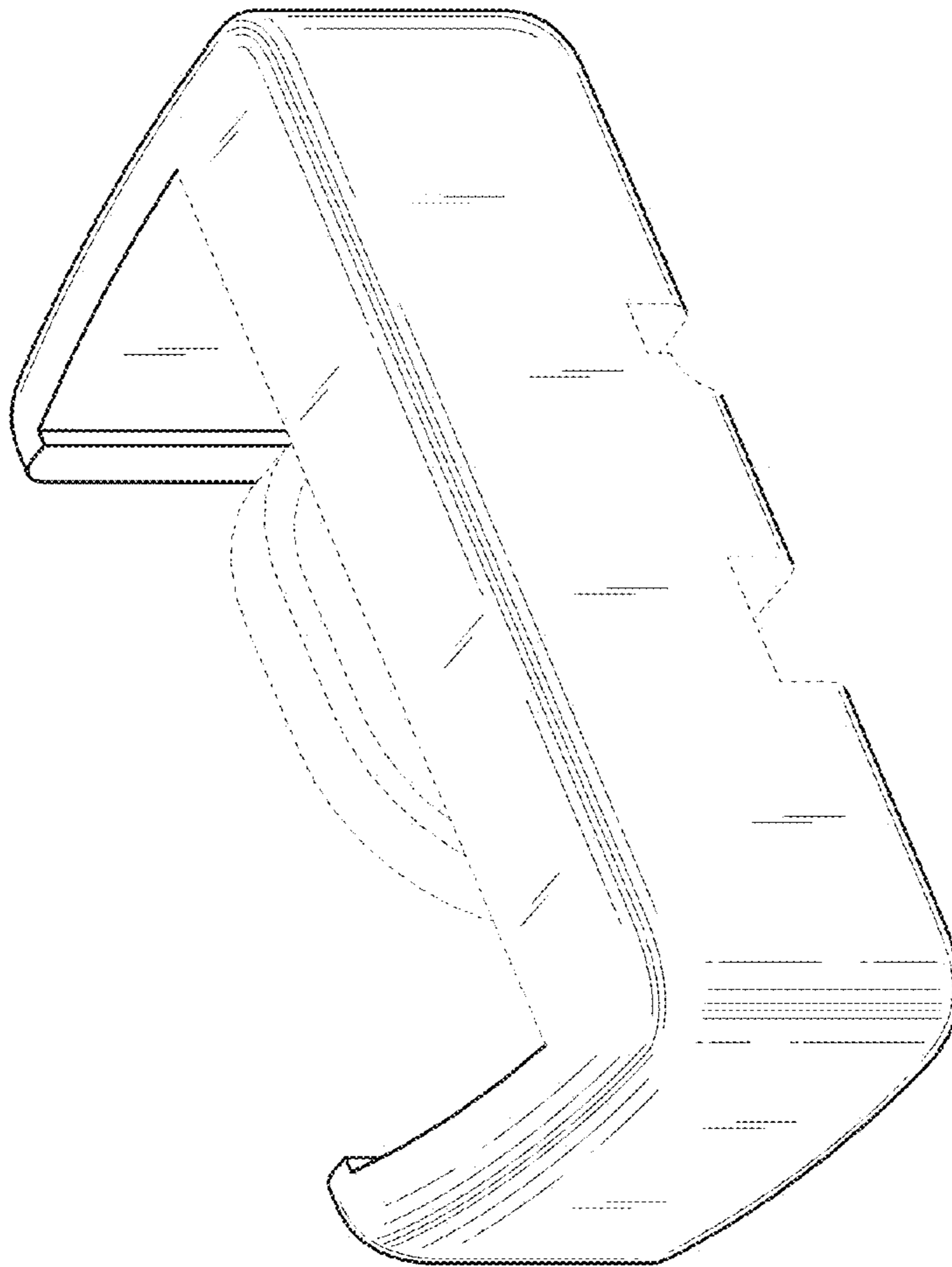


Fig. 1

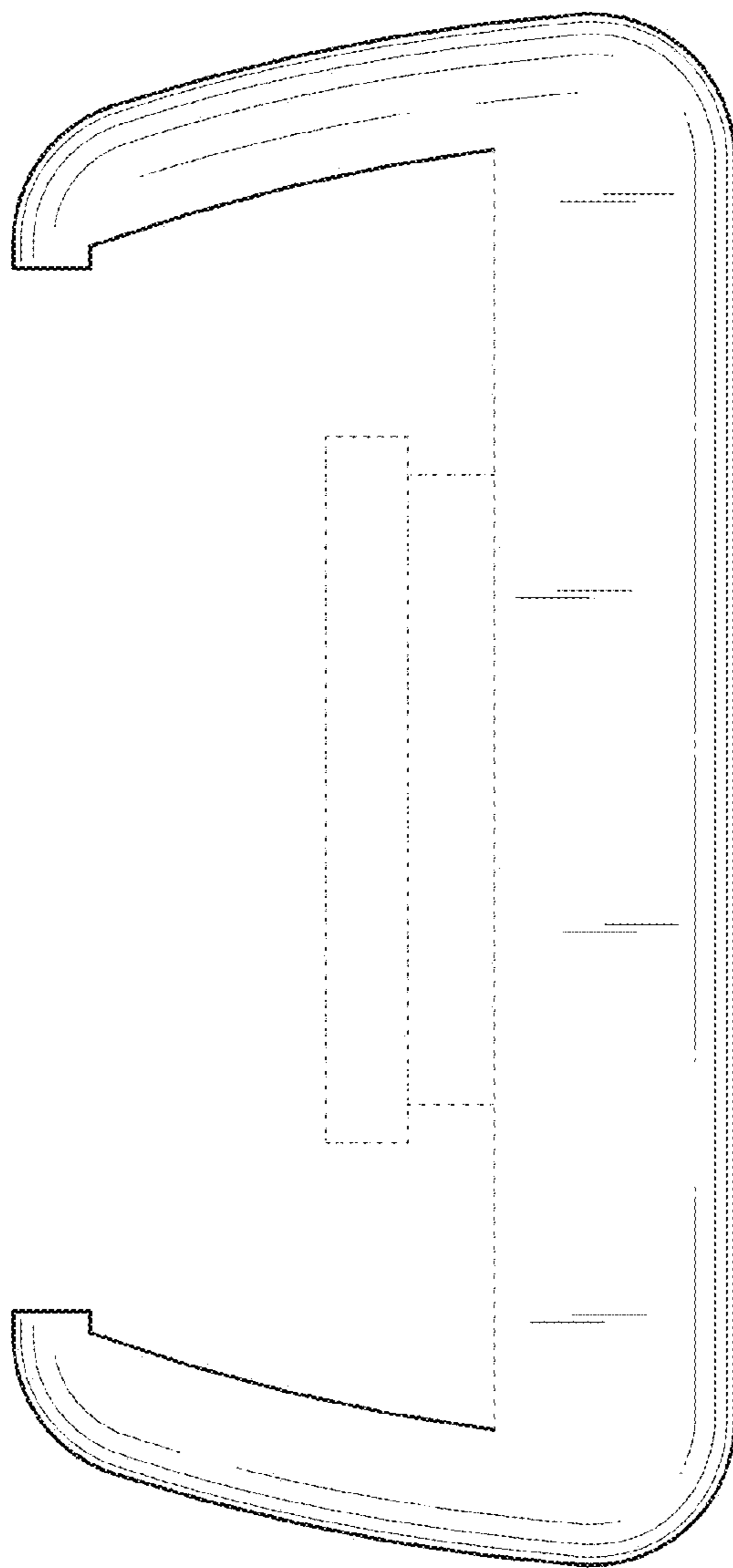


Fig. 2

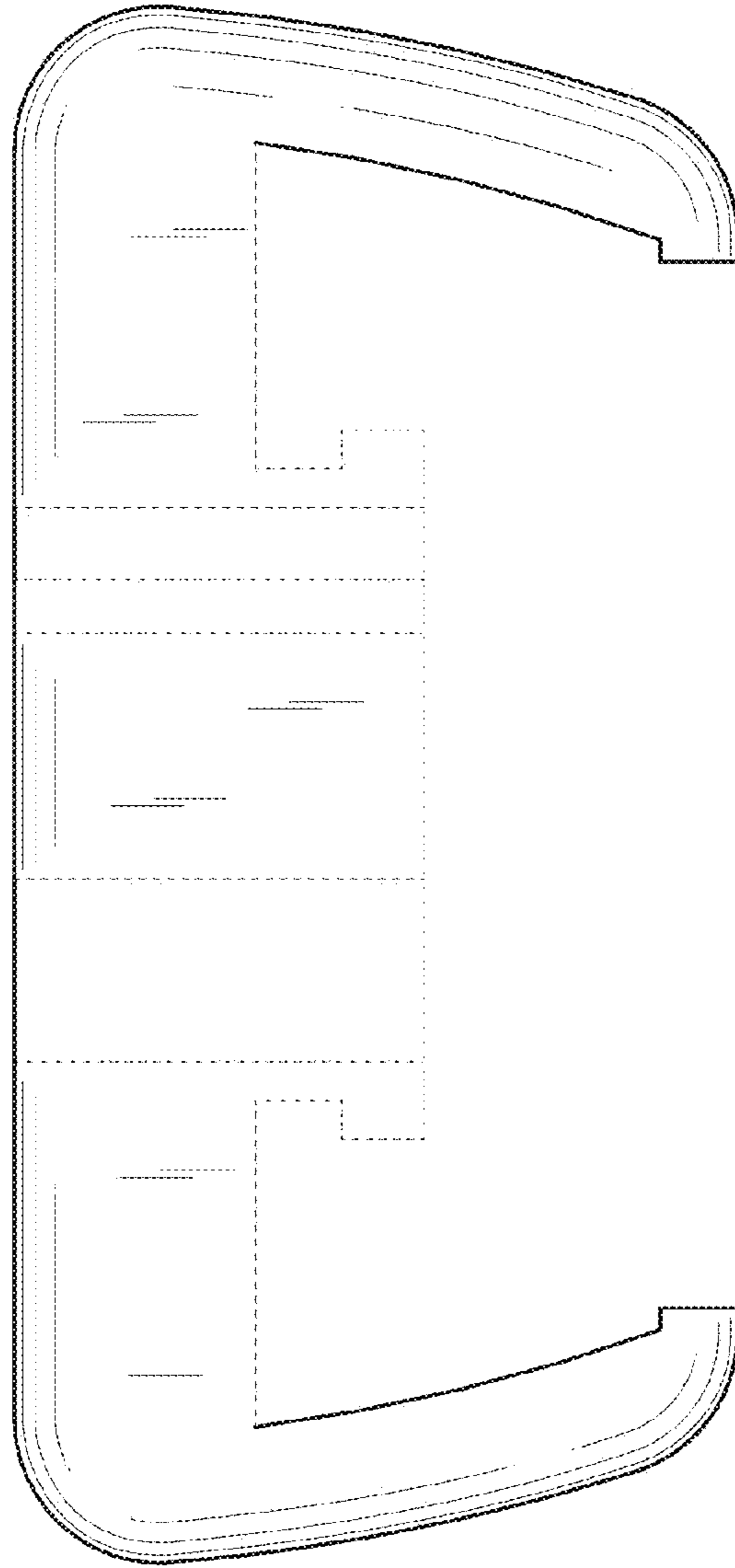


Fig. 3

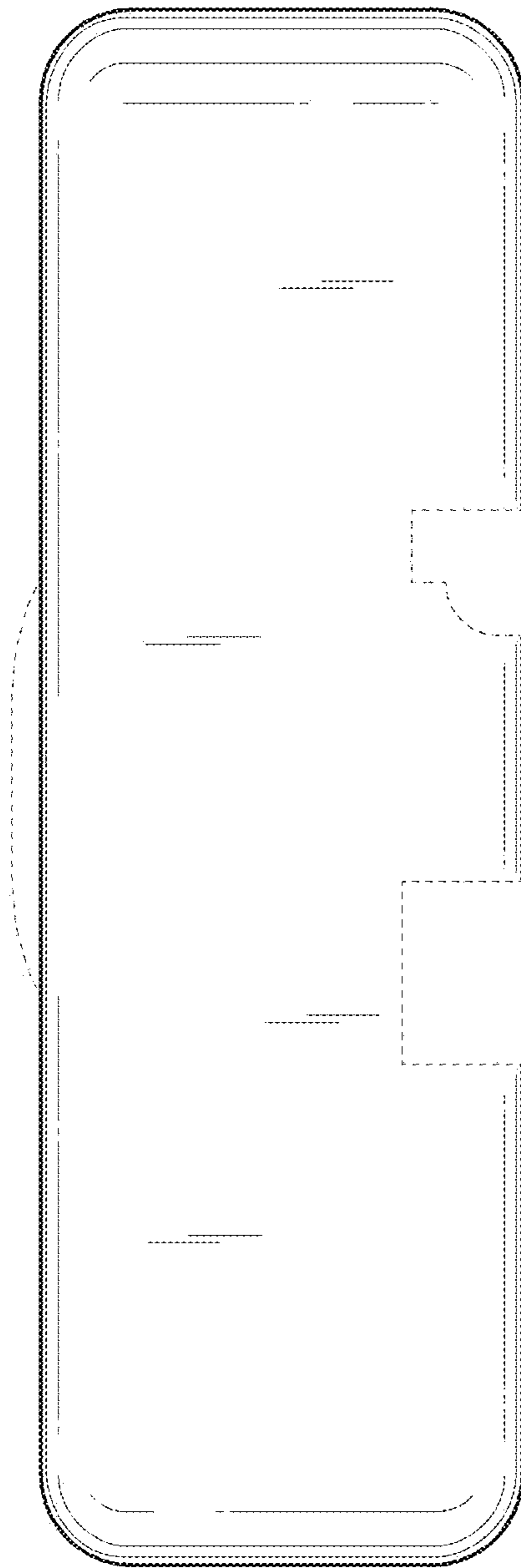


Fig. 4

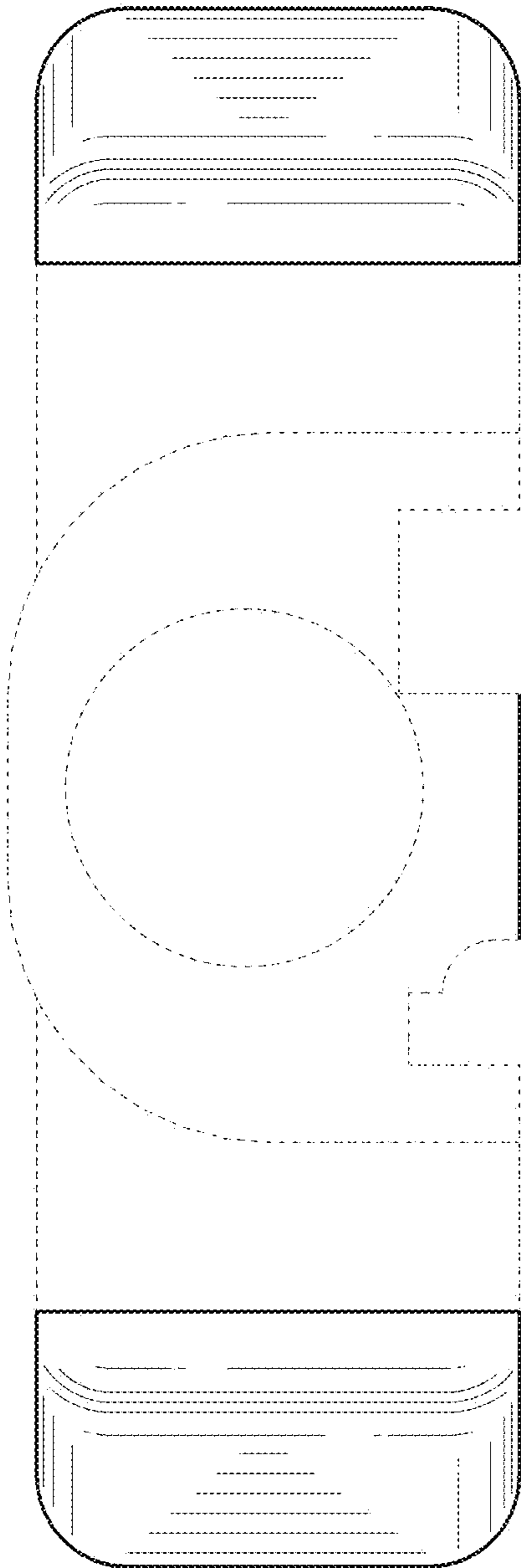


Fig. 5

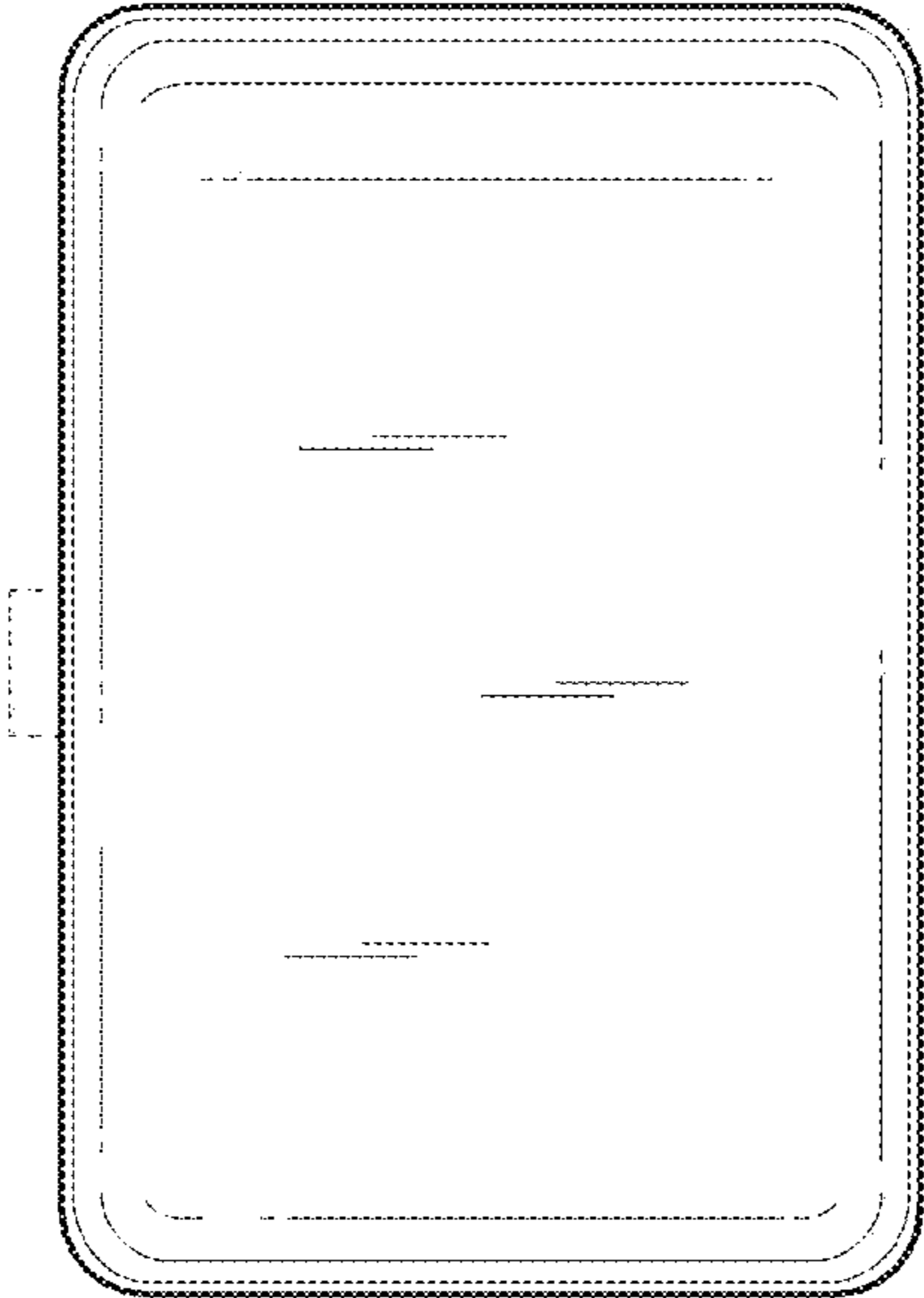


Fig. 6