



US00D761373S

(12) **United States Design Patent**
Lessard

(10) **Patent No.:** **US D761,373 S**
(45) **Date of Patent:** **** Jul. 12, 2016**

(54) **SILENCER**

(71) Applicant: **Sig Sauer, Inc.**, Newington, NH (US)

(72) Inventor: **Ethan Lessard**, East Kingston, NH (US)

(73) Assignee: **Sig Sauer, Inc.**, Newington, NH (US)

(**) Term: **14 Years**

(21) Appl. No.: **29/512,017**

(22) Filed: **Dec. 16, 2014**

(51) **LOC (10) Cl.** **22-01**

(52) **U.S. Cl.**
USPC **D22/108**

(58) **Field of Classification Search**
USPC D22/108
CPC F41A 21/30; F41A 21/325
See application file for complete search history.

(56) **References Cited**

U.S. PATENT DOCUMENTS

D643,087 S *	8/2011	Oliver	D22/108
8,307,946 B1 *	11/2012	Johnston	F41A 21/30
				181/223
D677,357 S *	3/2013	Dueck	D22/108
D682,974 S *	5/2013	Honigmann	D22/108
D712,997 S *	9/2014	Proske	D22/108
D728,058 S *	4/2015	Cheney	D22/108
D737,922 S *	9/2015	Pace	D22/108

D741,443 S *	10/2015	Cheney	D22/108
D742,989 S *	11/2015	Holden	D22/108
2014/0083286 A1 *	3/2014	Gomez	F41A 5/28
				89/193

OTHER PUBLICATIONS

U.S. Appl. No. 14/587,136, inventor Ethan Lessard, Title "Sound Suppressor for Firearm", date of filing Dec. 31, 2014, priority date of Jan. 9, 2014.

Sig Sauer Guns and Accessories, "SIG-SD Suppressor Line", Osage County Guns, Jan. 10, 2014, <http://www.sigsauerguns.com/product-highlight/sig-sd-suppressor-line>, 8 pages.

* cited by examiner

Primary Examiner — Michael A Pratt

(74) *Attorney, Agent, or Firm* — Finch & Maloney PLLC

(57) **CLAIM**

The ornamental design for a silencer, as shown and described.

DESCRIPTION

FIG. 1 is a perspective view of a silencer showing my new design;

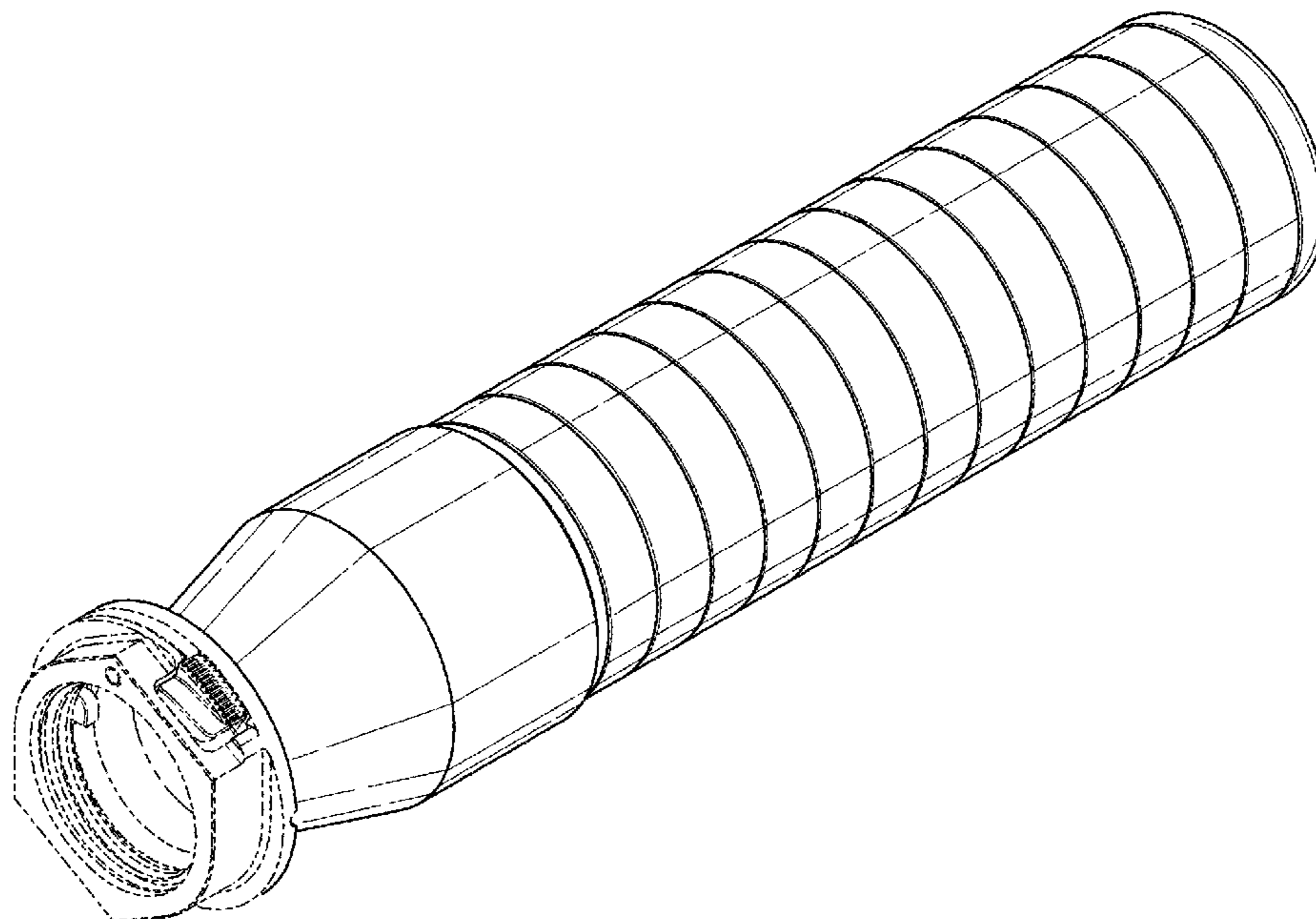
FIG. 2 is a rear view thereof;

FIG. 3 is a front view thereof; and,

FIGS. 4-7 are a side views thereof.

The broken lines in the figures are for the purpose of illustrating environmental structure only and form no part of the claimed design.

1 Claim, 4 Drawing Sheets



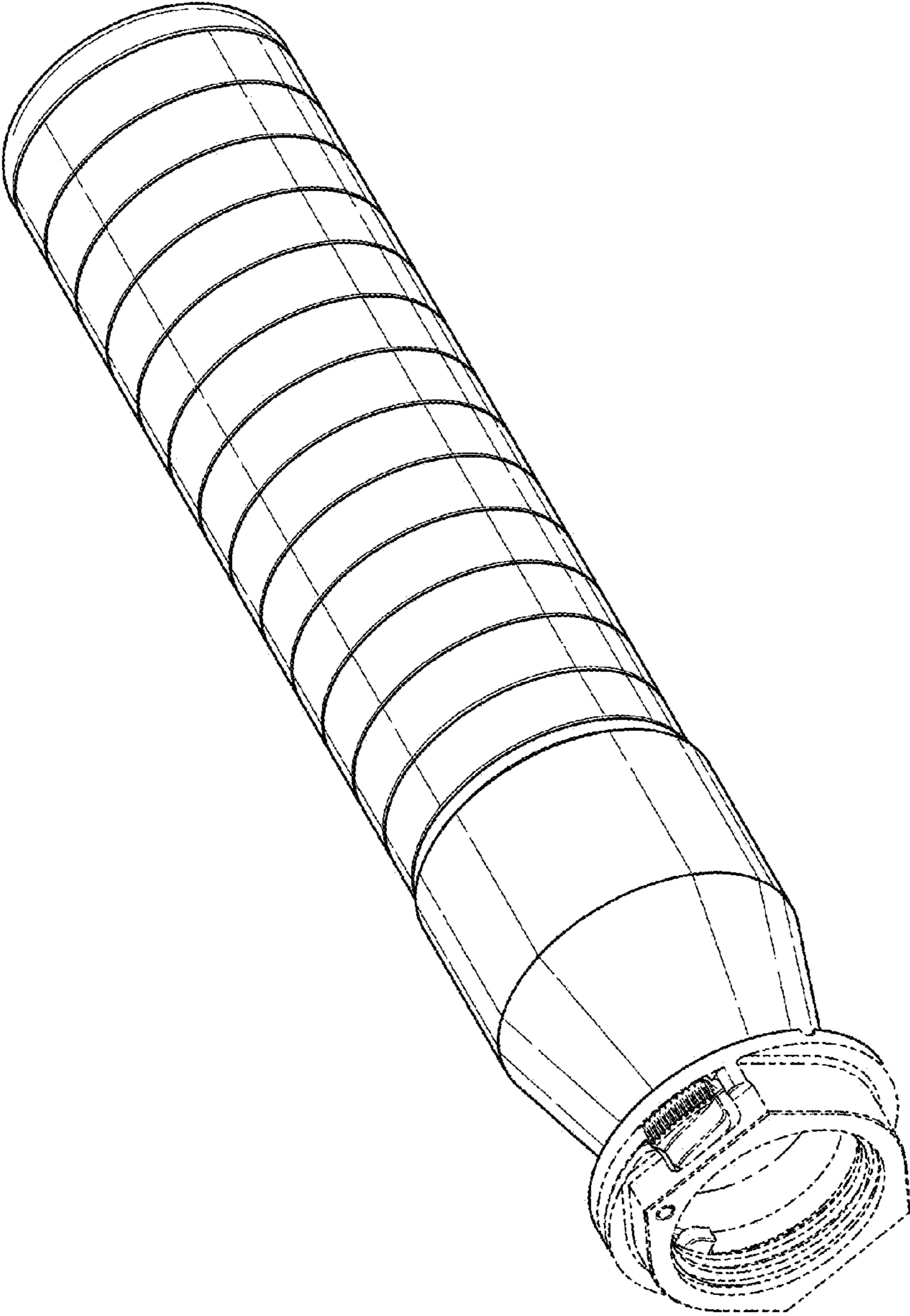


FIG. 1

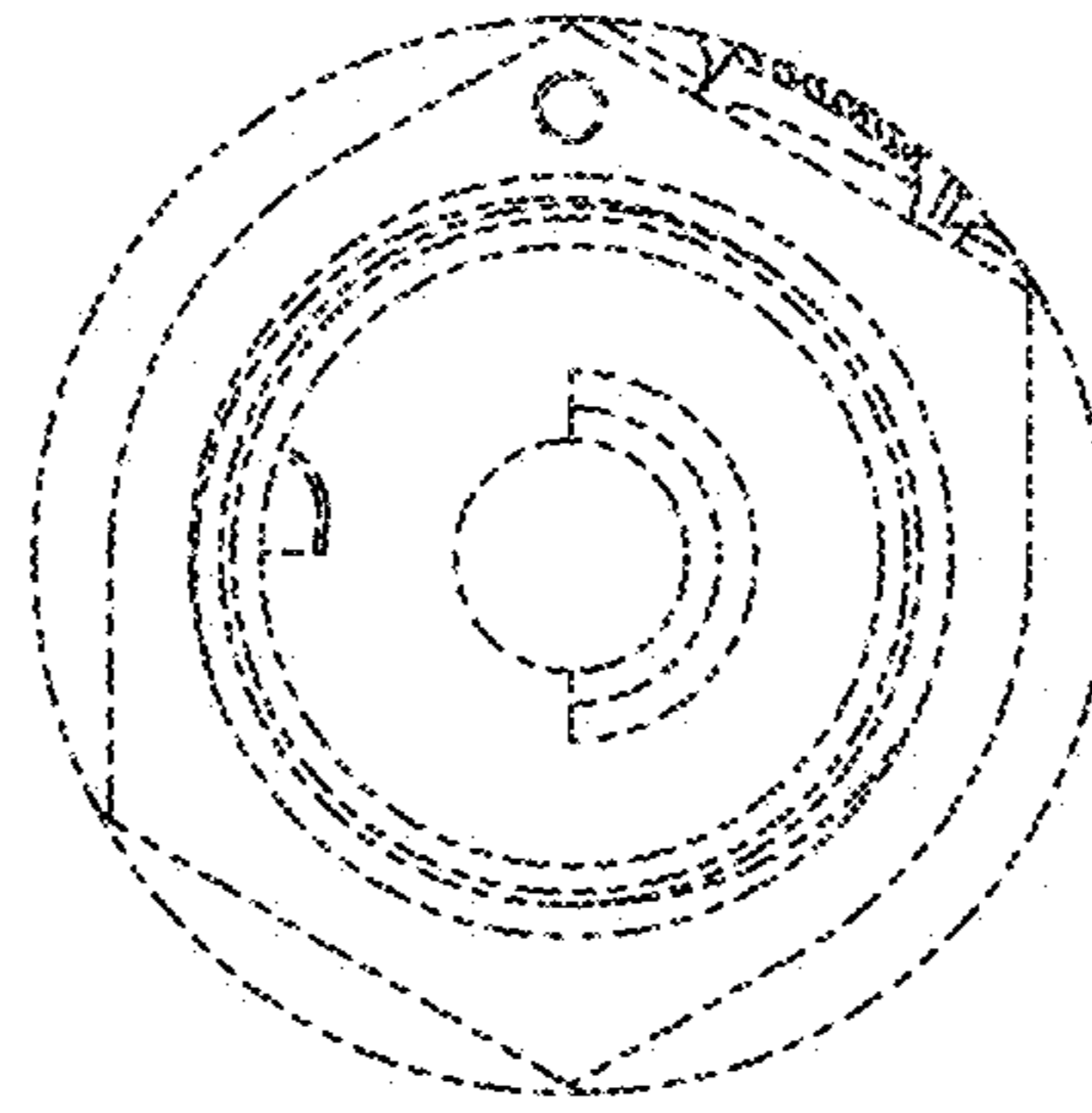


FIG. 2

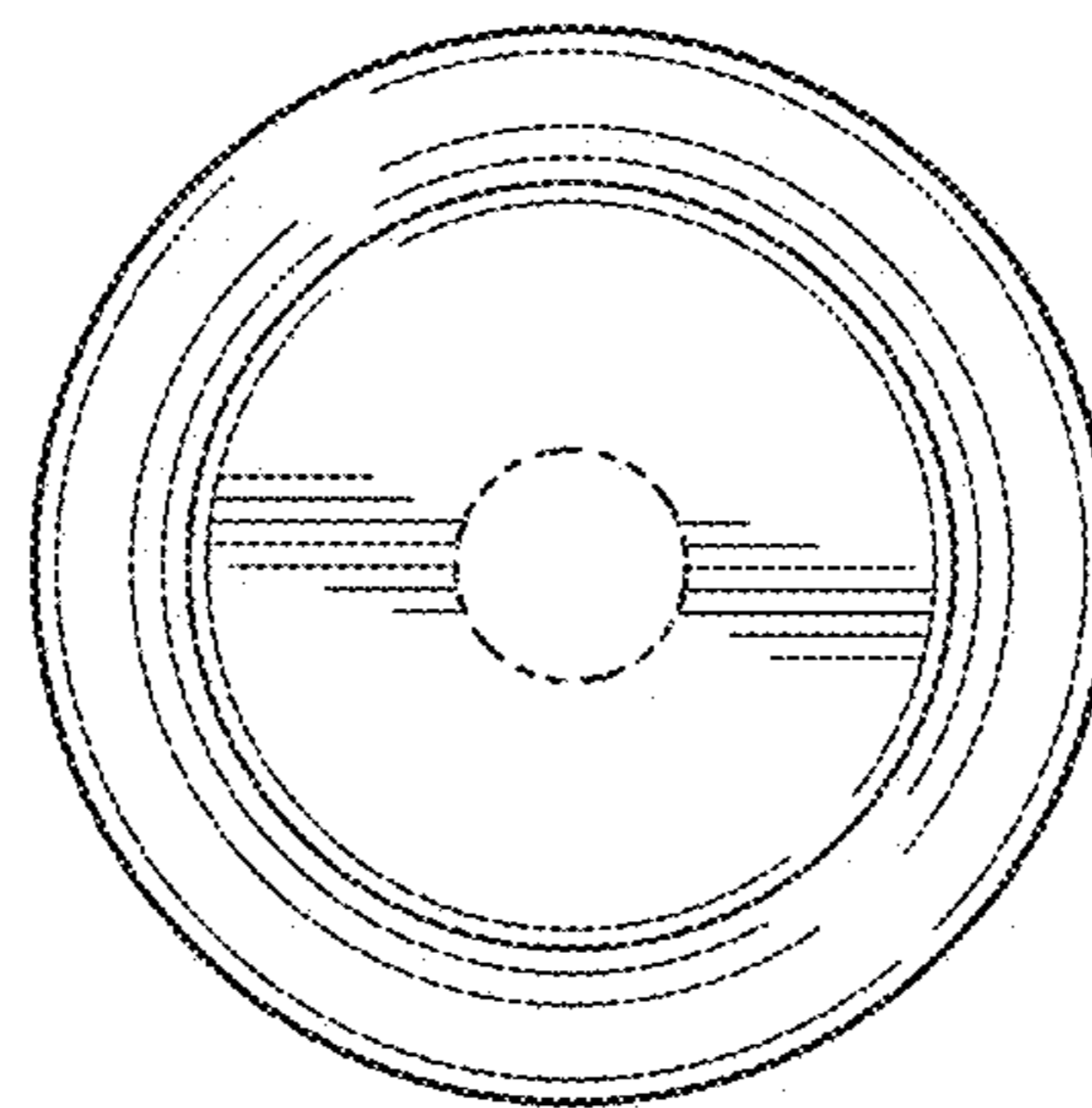


FIG. 3

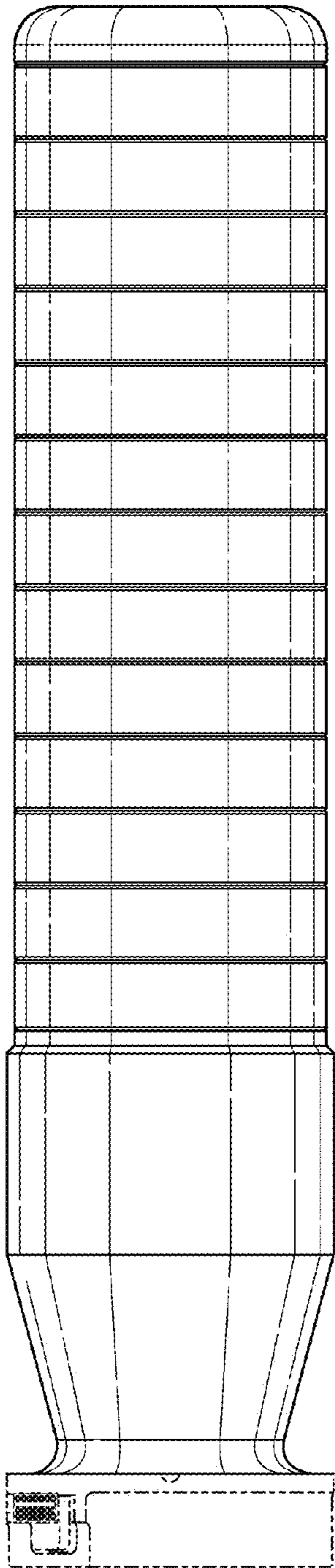


FIG. 4

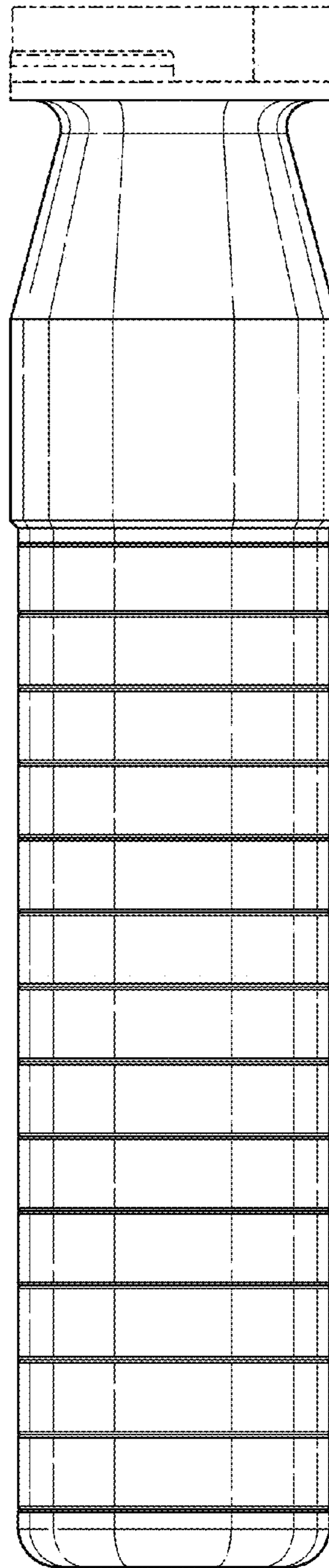


FIG. 5

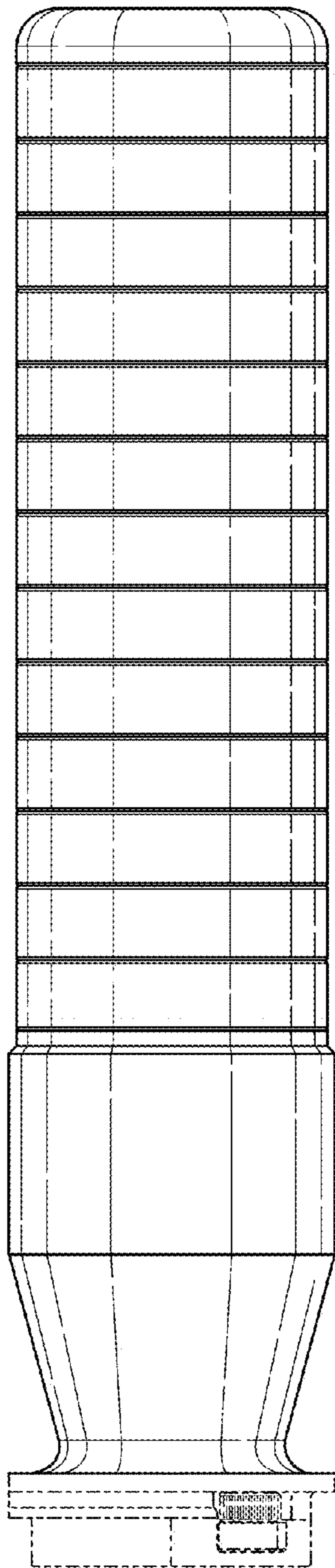


FIG. 6

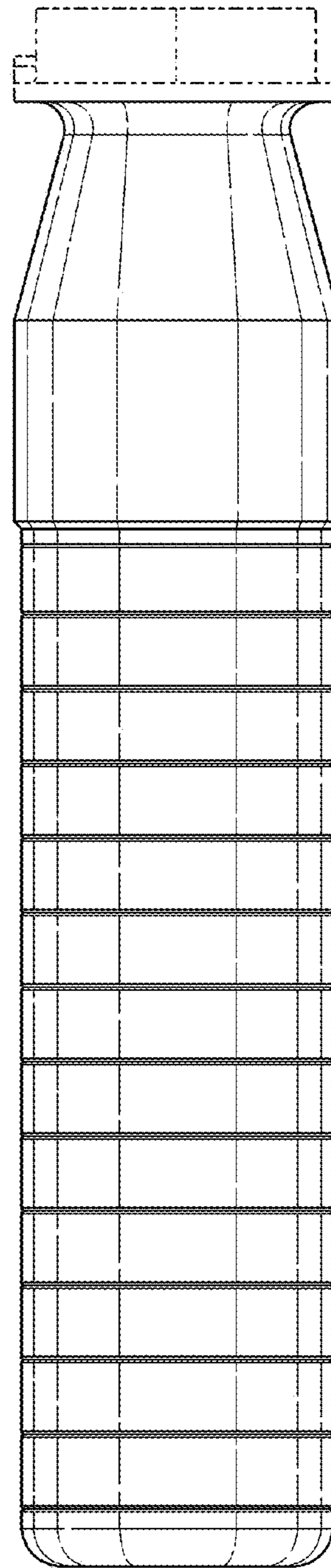


FIG. 7