

US00D761371S

(12) **United States Design Patent**
Feiereisen

(10) **Patent No.:** **US D761,371 S**
(45) **Date of Patent:** **** Jul. 12, 2016**

- (54) **BUOYANT CLIMBING WALL**
- (71) Applicant: **Jeffrey Feiereisen**, Seattle (DE)
- (72) Inventor: **Jeffrey Feiereisen**, Seattle (DE)
- (**) Term: **14 Years**
- (21) Appl. No.: **29/521,070**
- (22) Filed: **Mar. 19, 2015**
- (51) **LOC (10) Cl.** **21-03**
- (52) **U.S. Cl.**
USPC **D21/826**
- (58) **Field of Classification Search**
USPC D21/811, 814, 826-827, 835, 803
CPC . A63B 9/00; A63B 2009/006; A63B 69/0048
See application file for complete search history.

- D518,137 S * 3/2006 Byrd D21/827
- D521,099 S * 5/2006 Byrd D21/827
- 7,056,266 B2 * 6/2006 Sudeith A63B 69/0048
482/37
- D538,878 S * 3/2007 Kearl D21/827
- D554,227 S * 10/2007 Yates D21/826
- 7,563,202 B1 * 7/2009 Sudeith A63B 69/0048
482/37
- D616,519 S * 5/2010 Hwang D21/826
- 8,038,581 B1 * 10/2011 Sudeith A63B 69/0048
482/37
- D673,236 S * 12/2012 Roberts D21/827
- D743,499 S * 11/2015 Eroglu D21/826
- 2007/0082791 A1 * 4/2007 Reese A63B 9/00
482/37

* cited by examiner

Primary Examiner — Mitchell Siegel
(74) *Attorney, Agent, or Firm* — Henry M. Feiereisen LLC.

(57) **CLAIM**

The ornamental design for a buoyant climbing wall, as shown and described.

(56) **References Cited**

U.S. PATENT DOCUMENTS

- D315,773 S * 3/1991 Peterson D21/803
- 5,125,877 A * 6/1992 Brewer A63B 69/0048
482/37
- 5,555,679 A * 9/1996 Scherba E04H 15/20
135/126
- 6,551,216 B2 * 4/2003 Rennex A63B 7/04
482/35
- D493,504 S * 7/2004 Byrd D21/827
- D495,392 S * 8/2004 Byrd D21/827
- D496,088 S * 9/2004 Byrd D21/827
- D496,423 S * 9/2004 Byrd D21/827
- 6,849,031 B2 * 2/2005 Paci A63B 69/0048
482/35
- D504,487 S * 4/2005 Peterson D21/803
- D515,167 S * 2/2006 Capwell D21/803

DESCRIPTION

FIG. 1 is a perspective view of a buoyant climbing wall showing my new design;
FIG. 2 is a front elevational view thereof, the opposite side being a mirror image;
FIG. 3 is a bottom plan view thereof;
FIG. 4 is a side elevational view thereof, the opposite side being a mirror image; and,
FIG. 5 is a top elevational view thereof.
The broken line showing is included for the purpose of illustrating and forms no part of the claimed design.

1 Claim, 5 Drawing Sheets

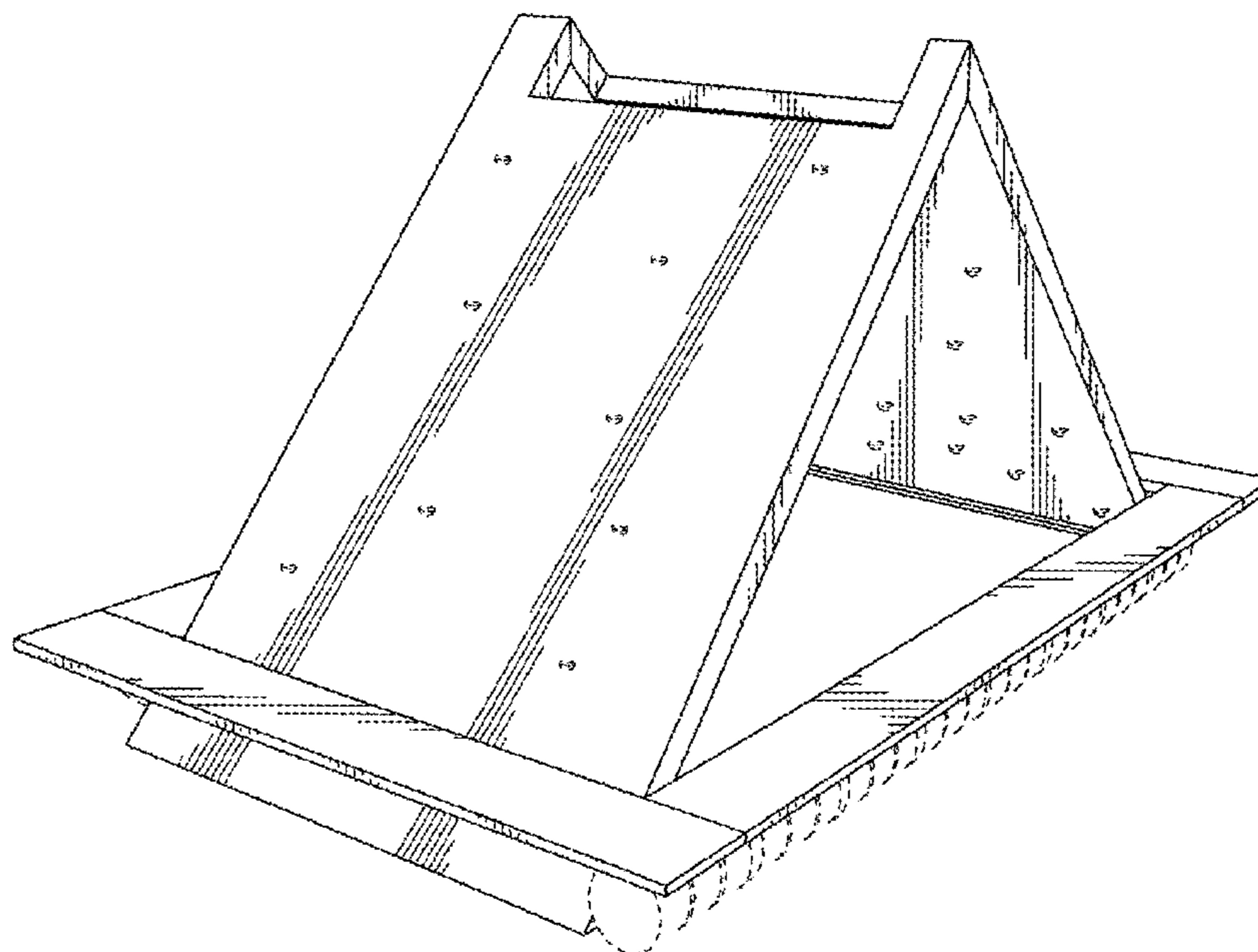


FIG. 1

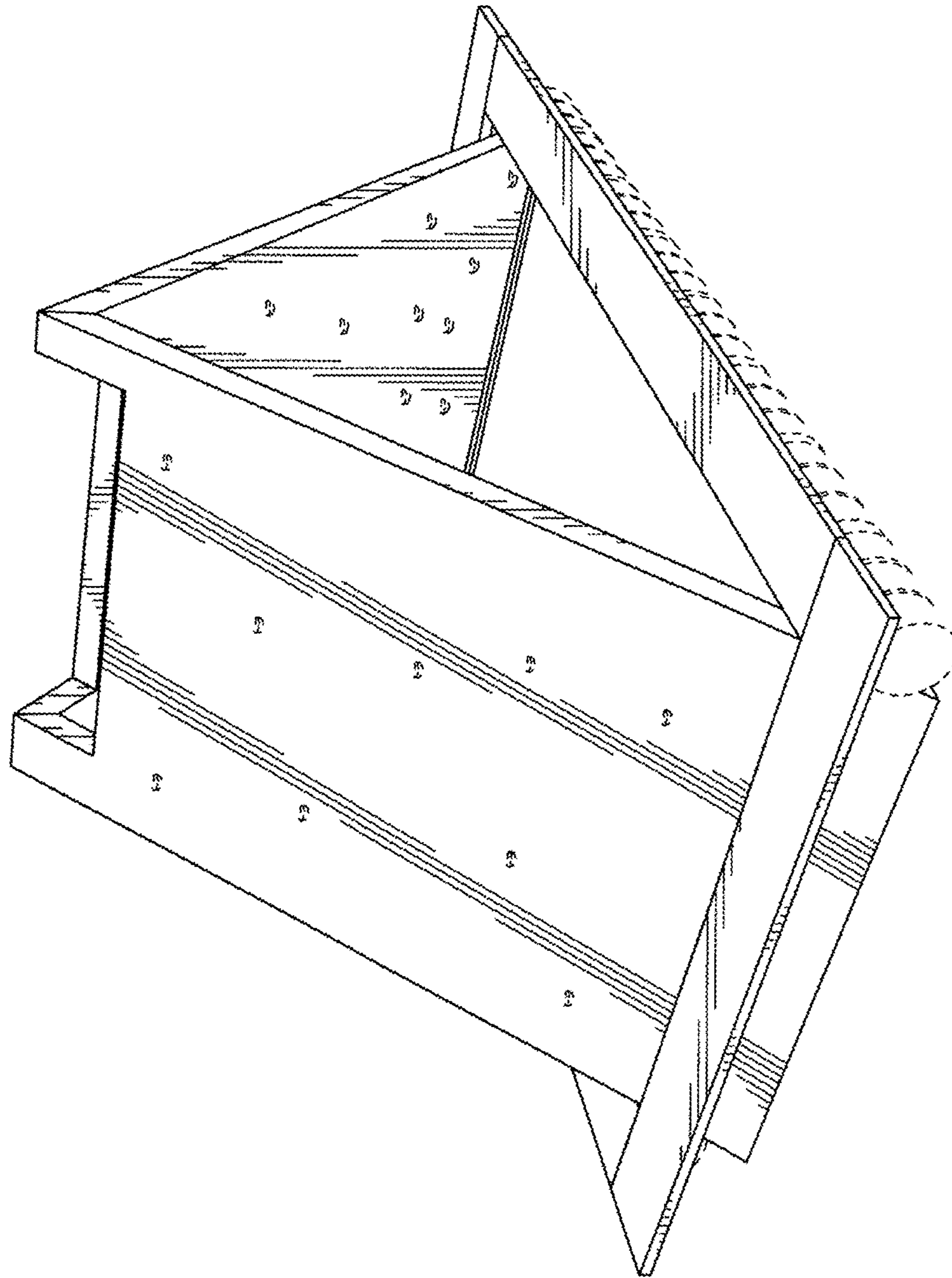


FIG. 2

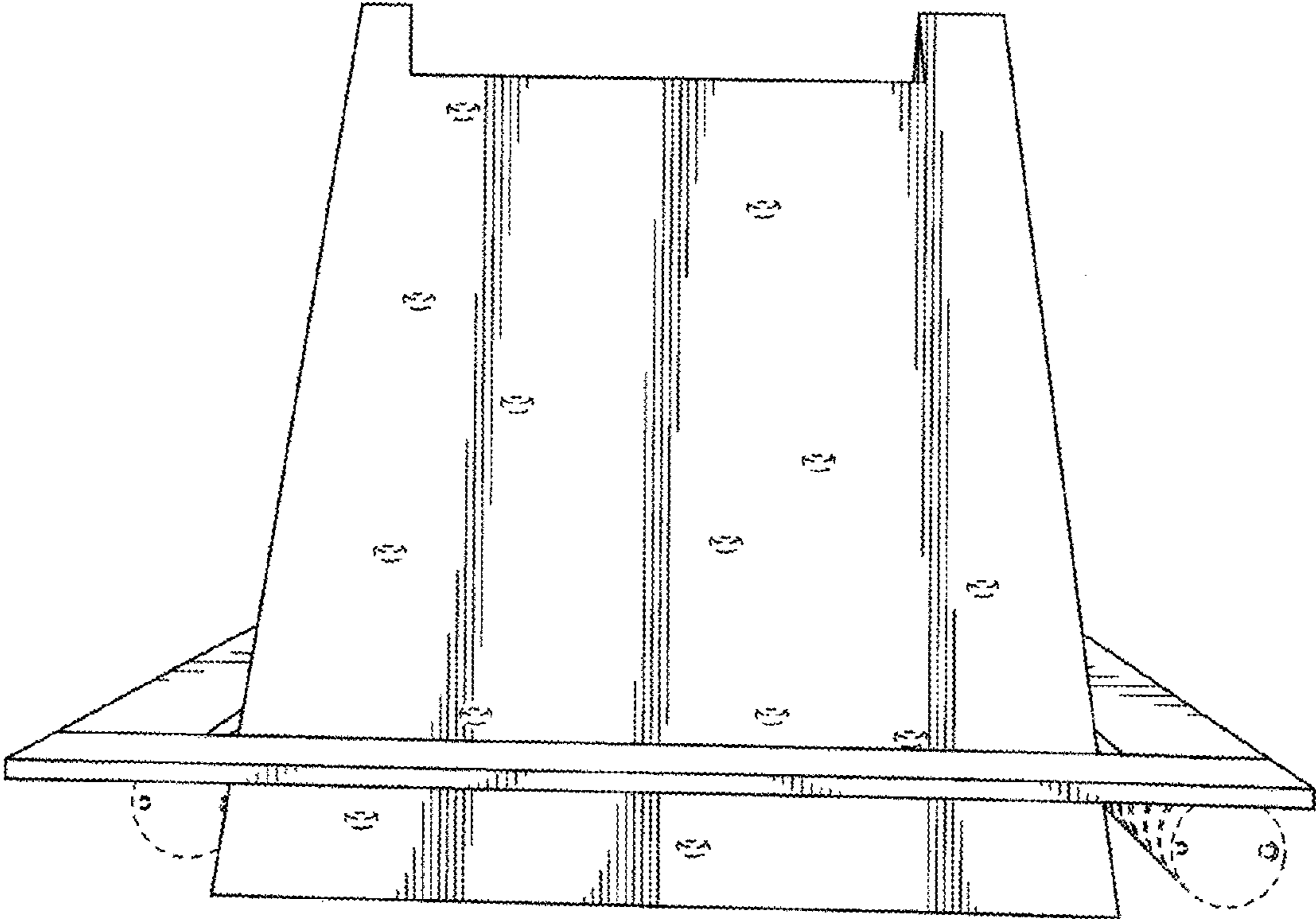


FIG. 3

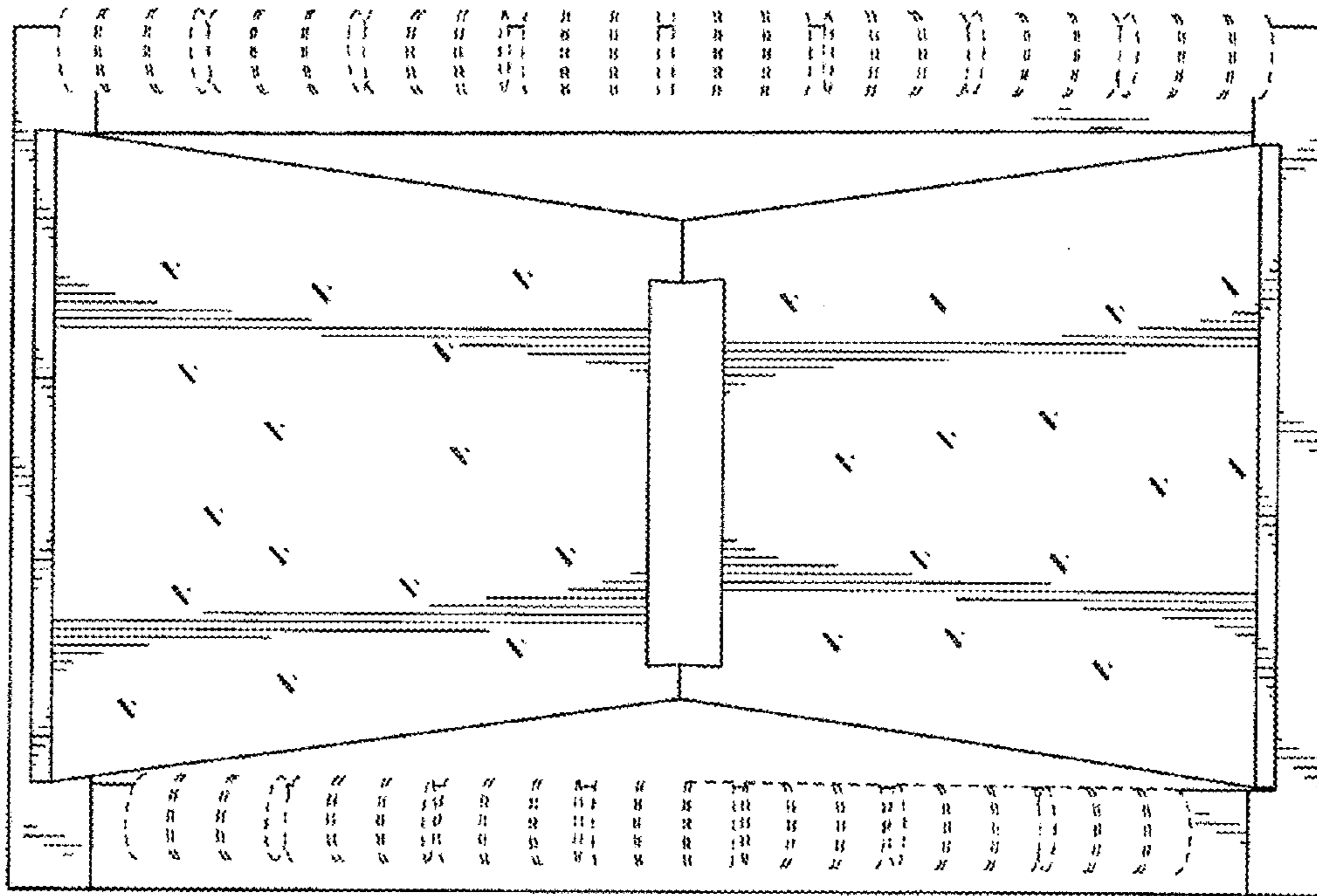


FIG. 4

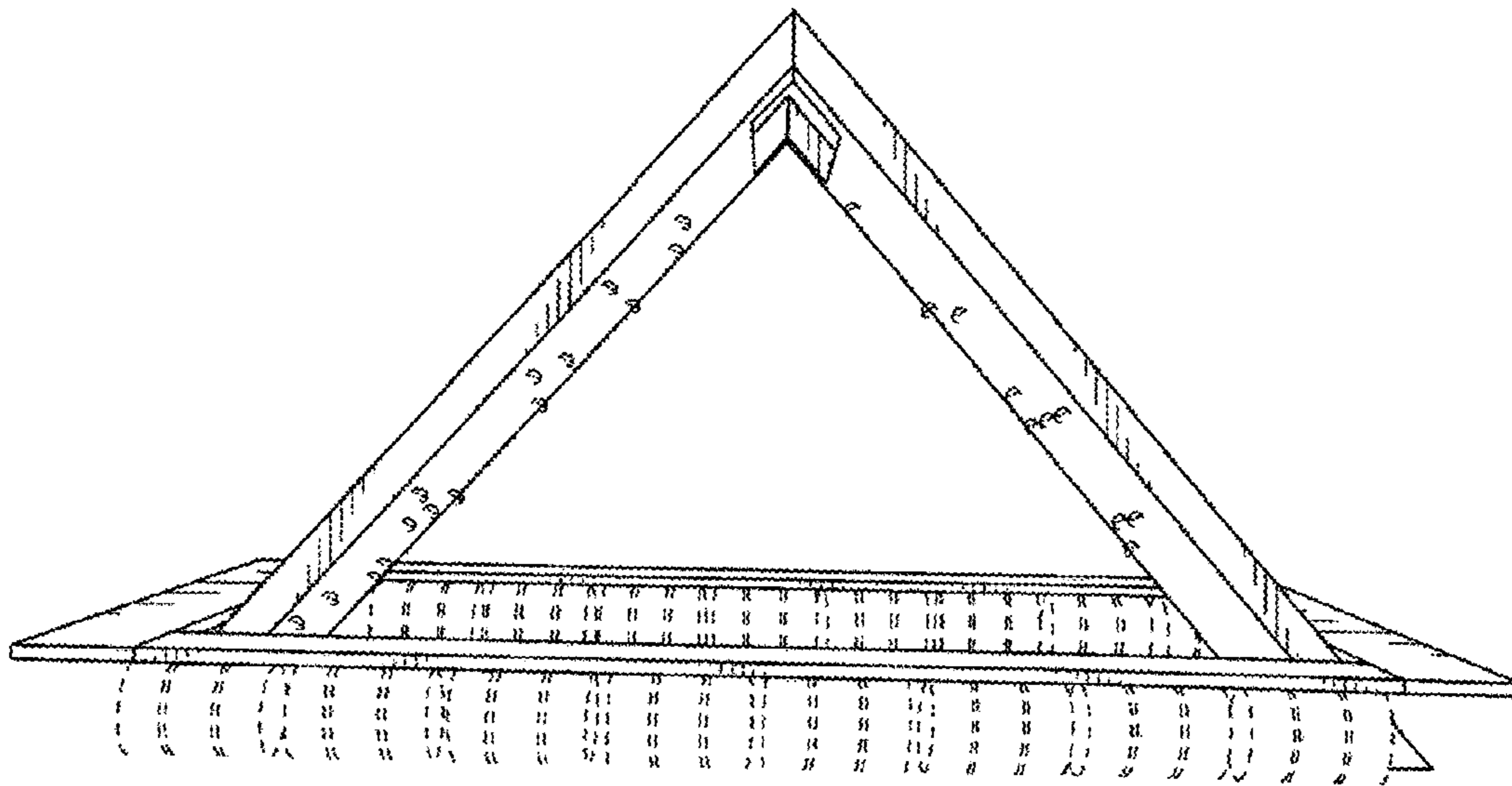
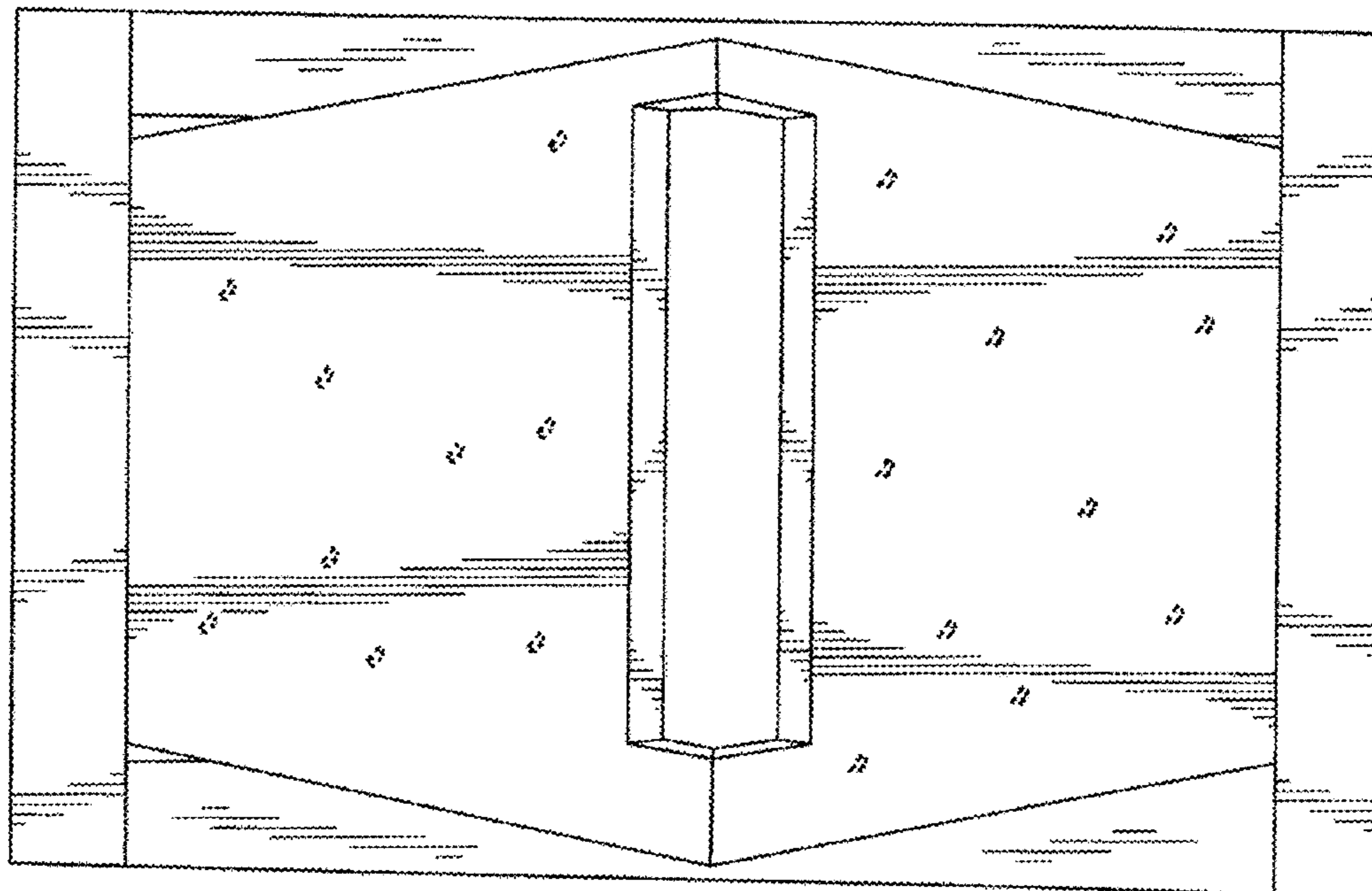


FIG. 5



UNITED STATES PATENT AND TRADEMARK OFFICE
CERTIFICATE OF CORRECTION

PATENT NO. : D761,371 S
APPLICATION NO. : 29/521070
DATED : July 12, 2016
INVENTOR(S) : Jeffrey Feiereisen

Page 1 of 1

It is certified that error appears in the above-identified patent and that said Letters Patent is hereby corrected as shown below:

On the Title Page

Column one, (71) Applicant and (72) Inventor: please correct inventor's Country of residence to read -
-Seattle, WA (US)-- instead of "Seattle, (DE)".

Signed and Sealed this
Second Day of January, 2018



Joseph Matal

*Performing the Functions and Duties of the
Under Secretary of Commerce for Intellectual Property and
Director of the United States Patent and Trademark Office*