



US00D761370S

(12) **United States Design Patent**  
**Paavola**

(10) **Patent No.:** **US D761,370 S**  
(45) **Date of Patent:** **\*\* Jul. 12, 2016**

(54) **COMBINED GREEN REPAIR TOOL WITH USB**

(71) Applicant: **FINNdustrries, LLC**, Maricopa, AZ (US)

(72) Inventor: **Dean Paavola**, Maricopa, AZ (US)

(\*\*) Term: **14 Years**

(21) Appl. No.: **29/496,966**

(22) Filed: **Jul. 18, 2014**

(51) **LOC (10) Cl.** ..... **21-02**

(52) **U.S. Cl.**  
USPC ..... **D21/793**

(58) **Field of Classification Search**  
USPC ..... D21/789, 793, 794; D14/480.1-480.7  
CPC ..... A63B 57/0068; A63B 57/0075  
See application file for complete search history.

(56) **References Cited**

**U.S. PATENT DOCUMENTS**

D327,910 S *	7/1992	Cantlon	.....	D19/123
D336,124 S *	6/1993	Ordlock	.....	D21/793
D340,755 S *	10/1993	Shearer	.....	D21/793
D387,681 S *	12/1997	Finkay	.....	D10/31
5,759,120 A *	6/1998	Mathis et al.	.....	473/408
6,030,298 A *	2/2000	Tate	.....	473/408
6,050,905 A *	4/2000	Tate	.....	473/408
6,733,402 B2 *	5/2004	Christensen	.....	473/408
D509,874 S *	9/2005	Bores	.....	D21/793

D542,787 S *	5/2007	Siu	.....	D14/480.5
D583,374 S *	12/2008	Otsuka	.....	D14/480.5
D597,068 S *	7/2009	Whang	.....	D14/203.7
D606,149 S *	12/2009	Regalado	.....	D21/793
D610,156 S *	2/2010	Mudrick	.....	D14/480.5
D633,588 S *	3/2011	McCrimmon	.....	D21/793
D666,265 S *	8/2012	Solheim et al.	.....	D21/793

\* cited by examiner

*Primary Examiner* — Mitchell Siegel

(74) *Attorney, Agent, or Firm* — Matthew L. Bycer

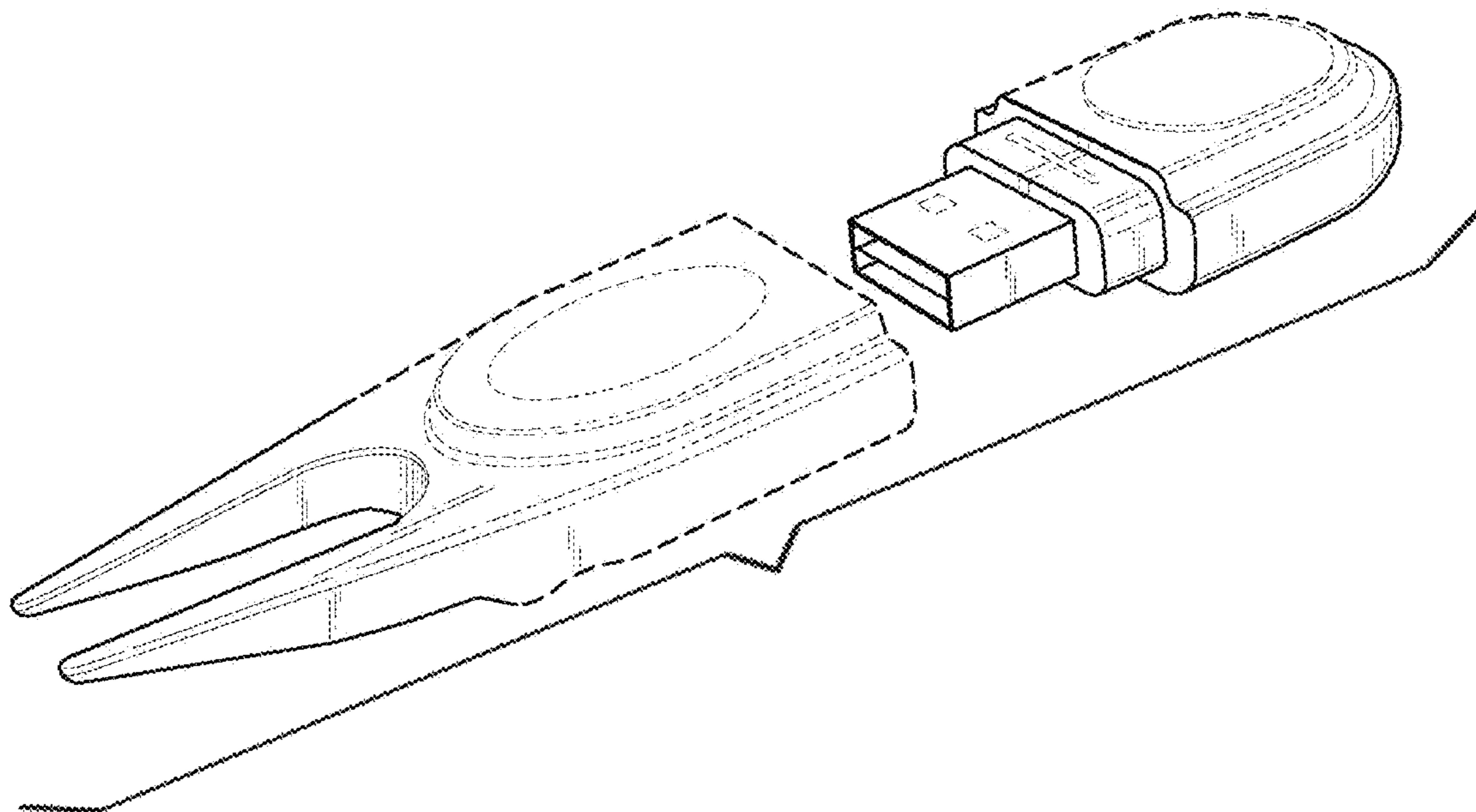
(57) **CLAIM**

I claim the ornamental design for combined green repair tool with USB, as shown and described.

**DESCRIPTION**

FIG. 1 is a perspective view of a combined green repair tool with USB showing my design;  
FIG. 2 is a side view thereof;  
FIG. 3 is a front edge side view of the design;  
FIG. 4 is a bottom side view of the design;  
FIG. 5 is a top side view of the design;  
FIG. 6 is an exploded perspective view of the design;  
FIG. 7 is an exploded top side view of the design;  
FIG. 8 is an exploded bottom side view of the design;  
FIG. 9 is an exploded side view of the design;  
FIG. 10 is a back side view of the design; and,  
FIG. 11 is an exploded bottom perspective view of the design.  
The broken lines shown in the drawings represent portions of the combined green repair tool with USB that form no part of the claimed design.

**1 Claim, 5 Drawing Sheets**



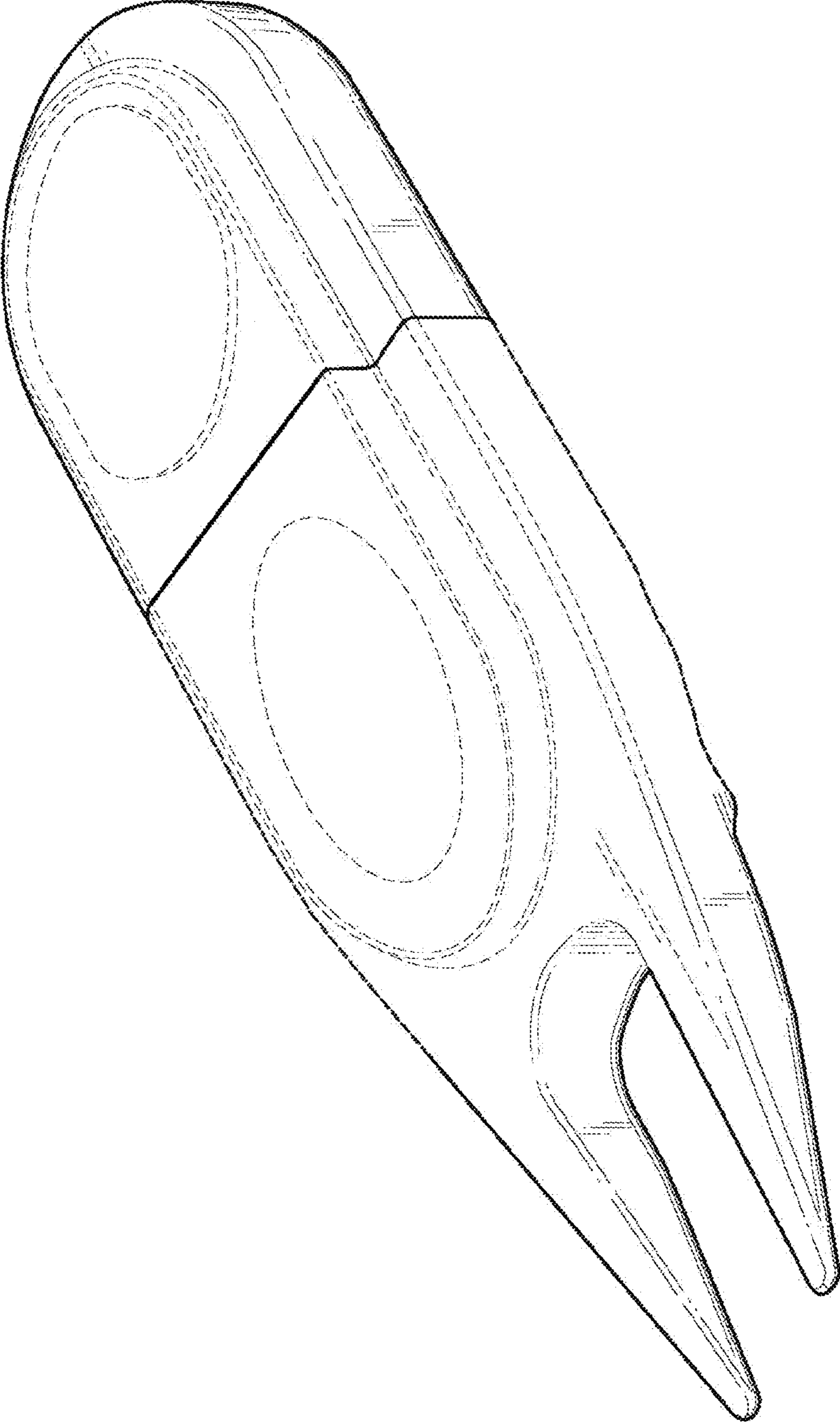


FIG. 1

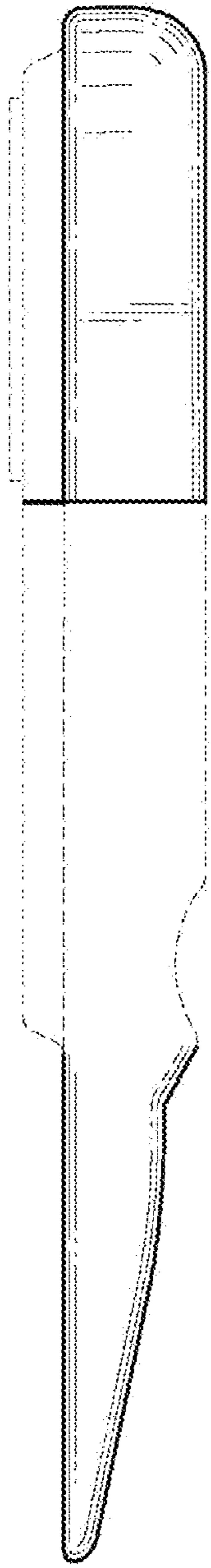


FIG. 2

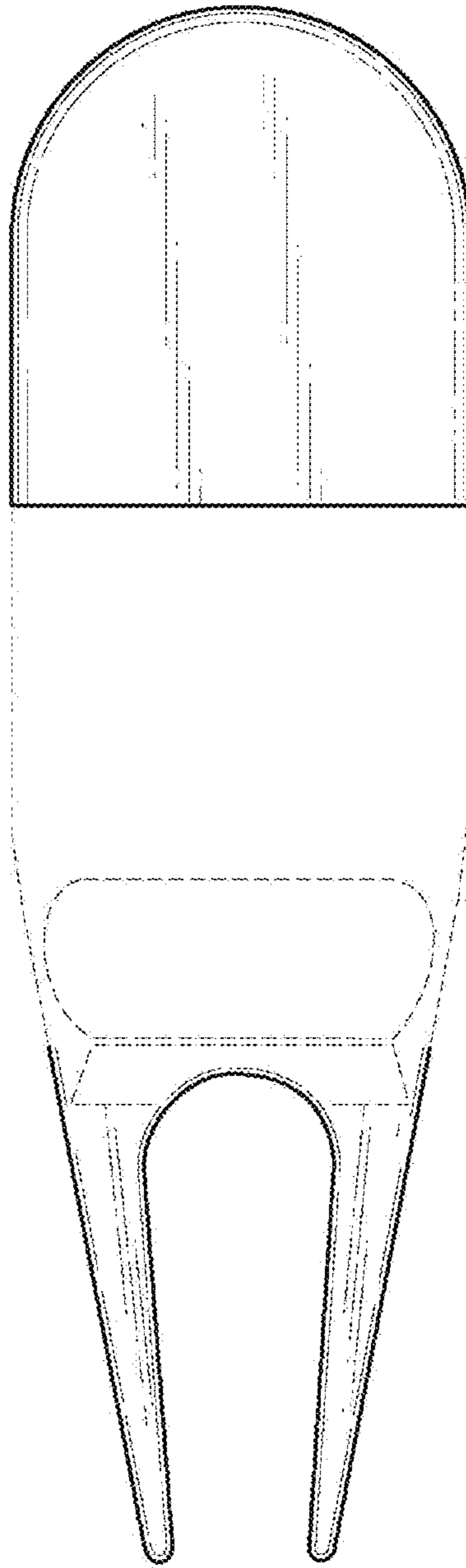


FIG. 3

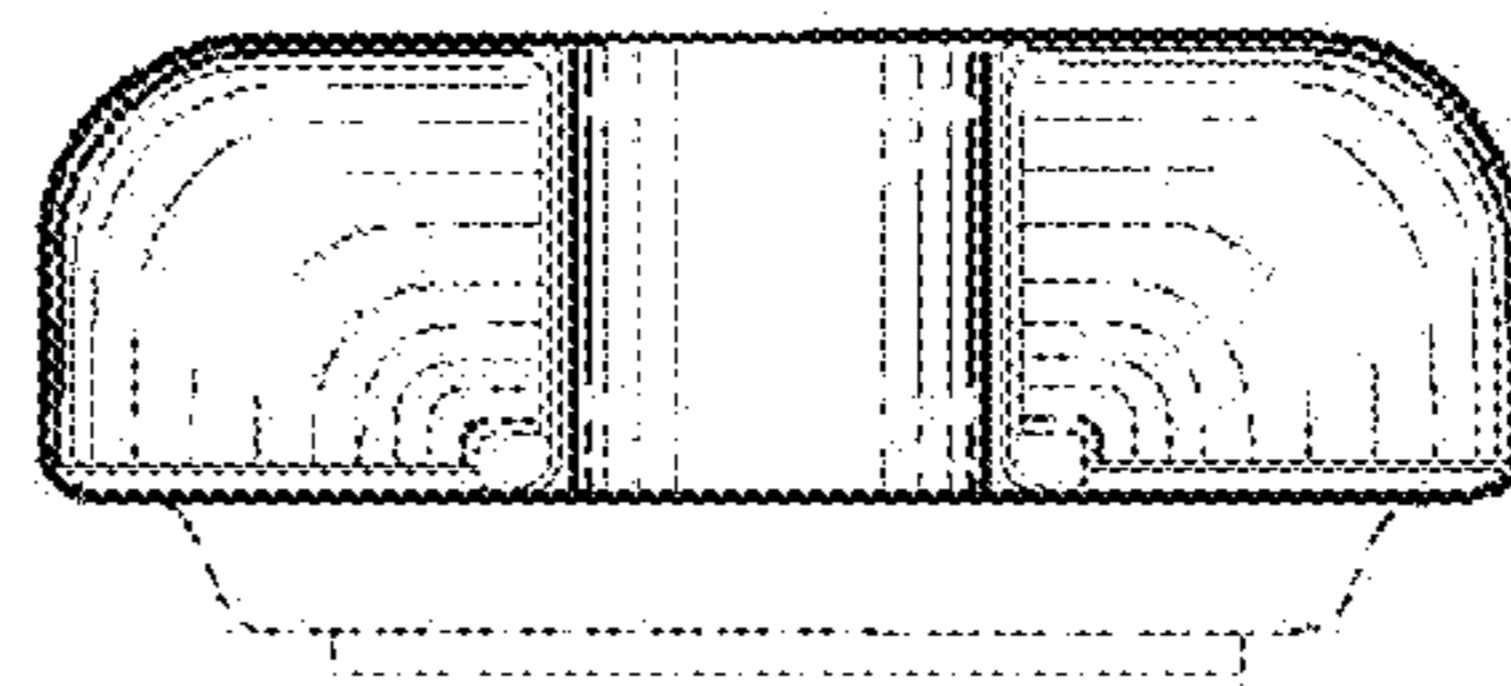
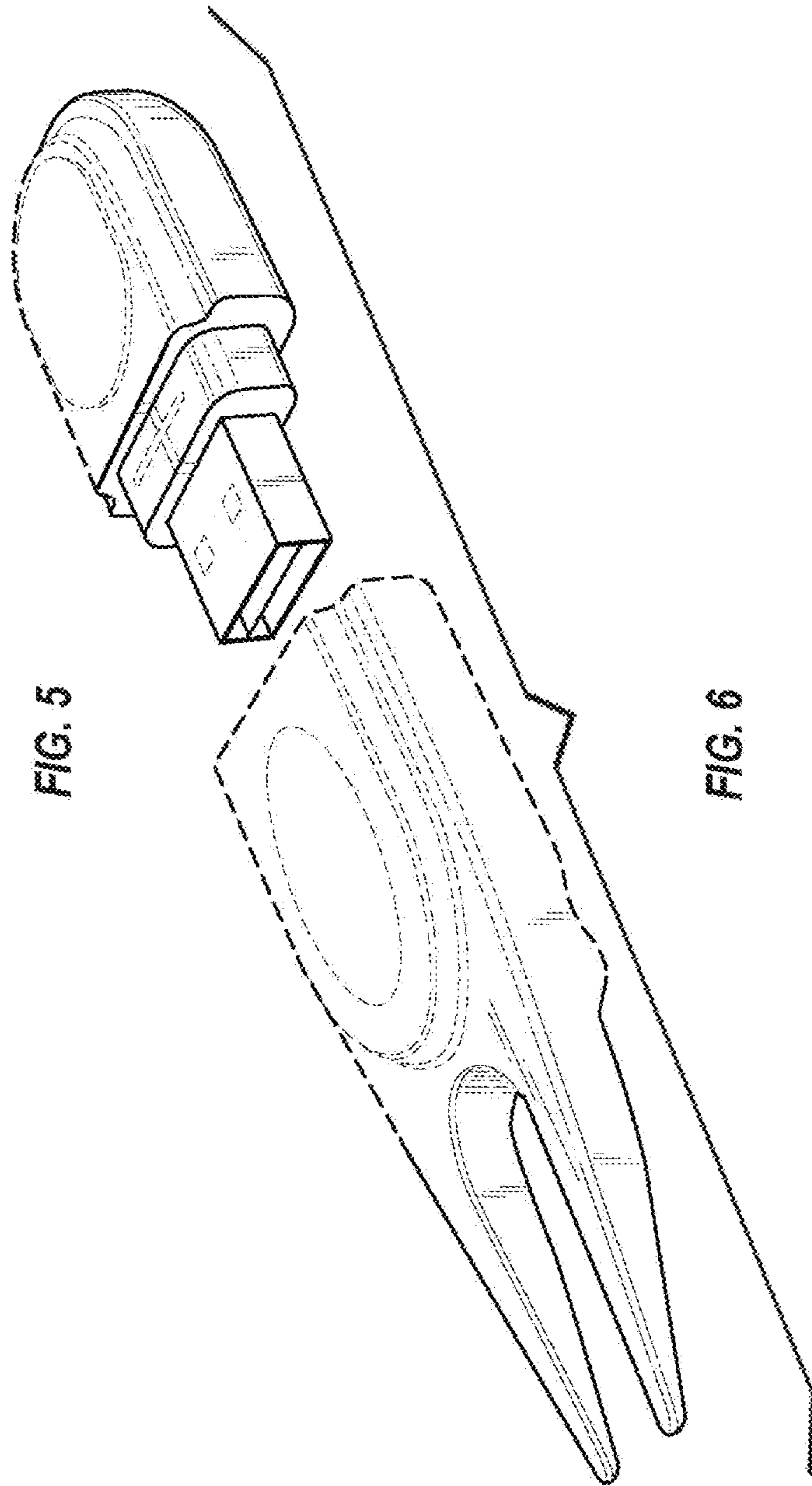
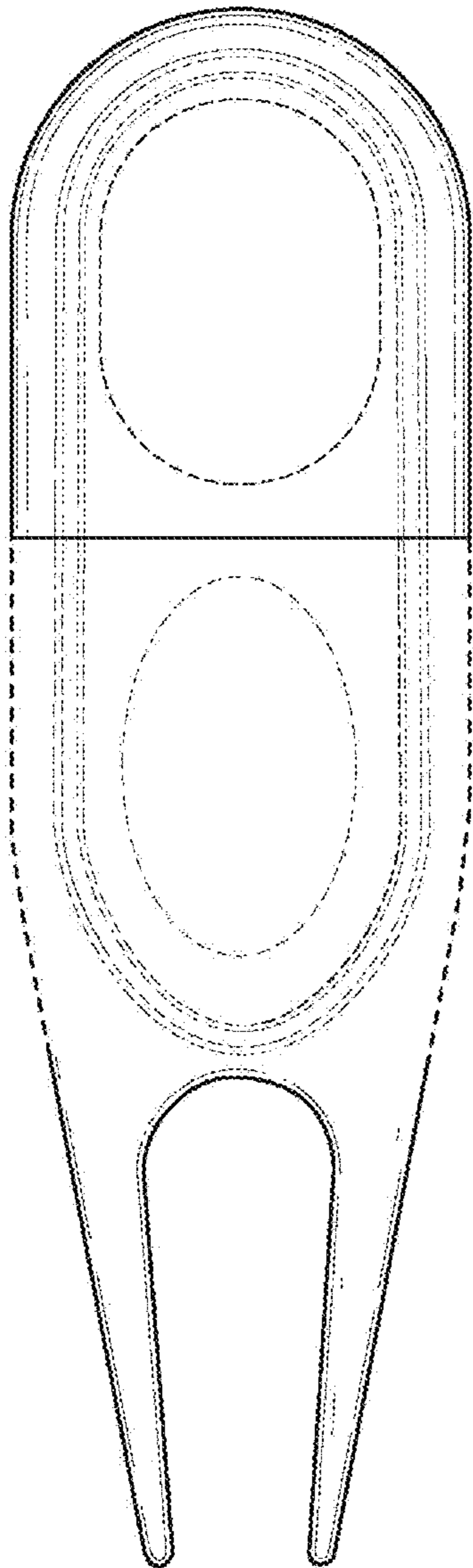


FIG. 4



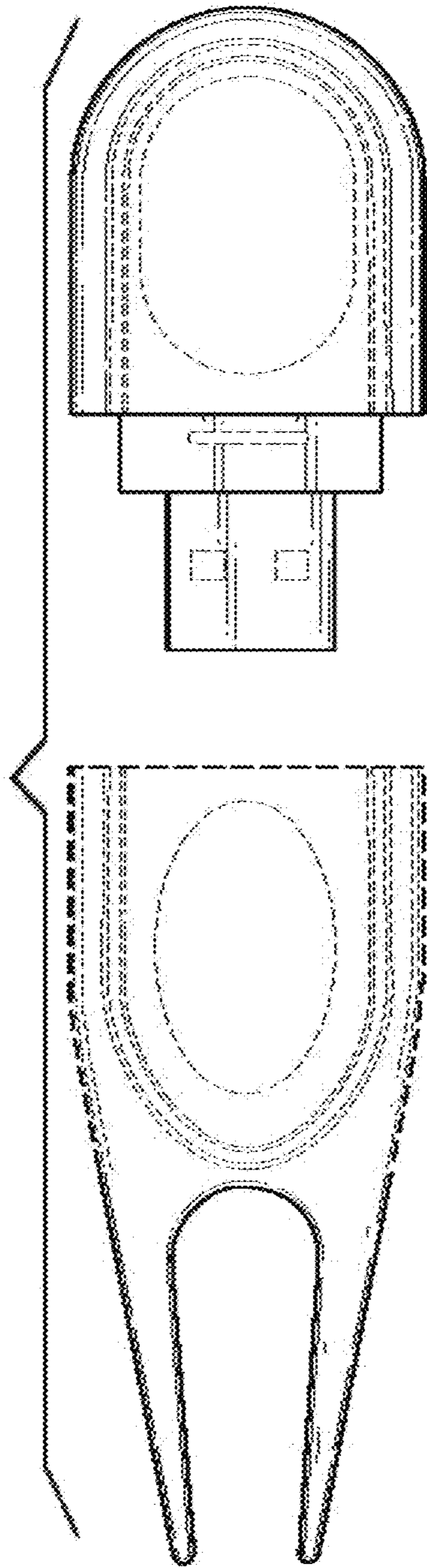


FIG. 7

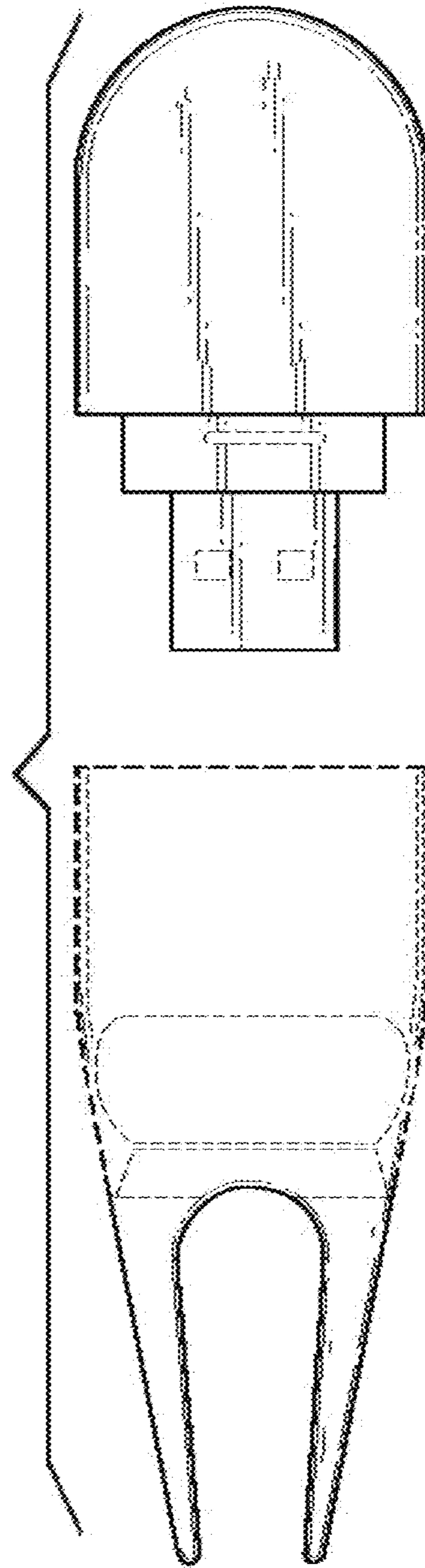


FIG. 8

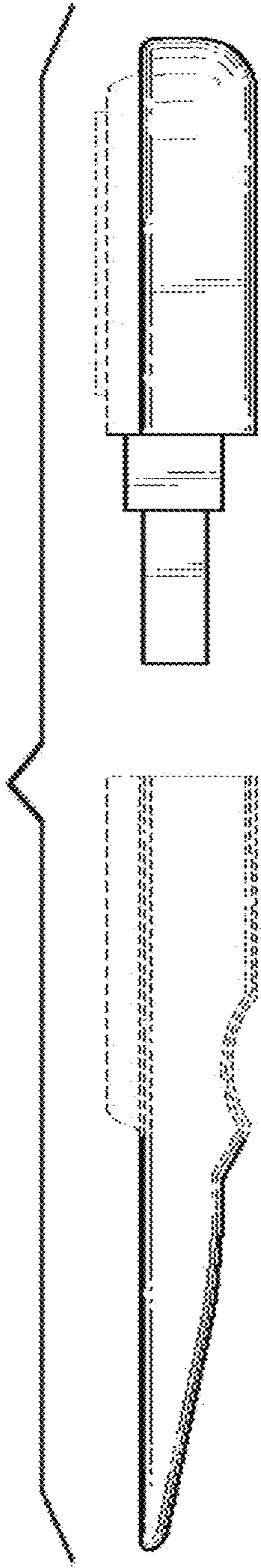


FIG. 9

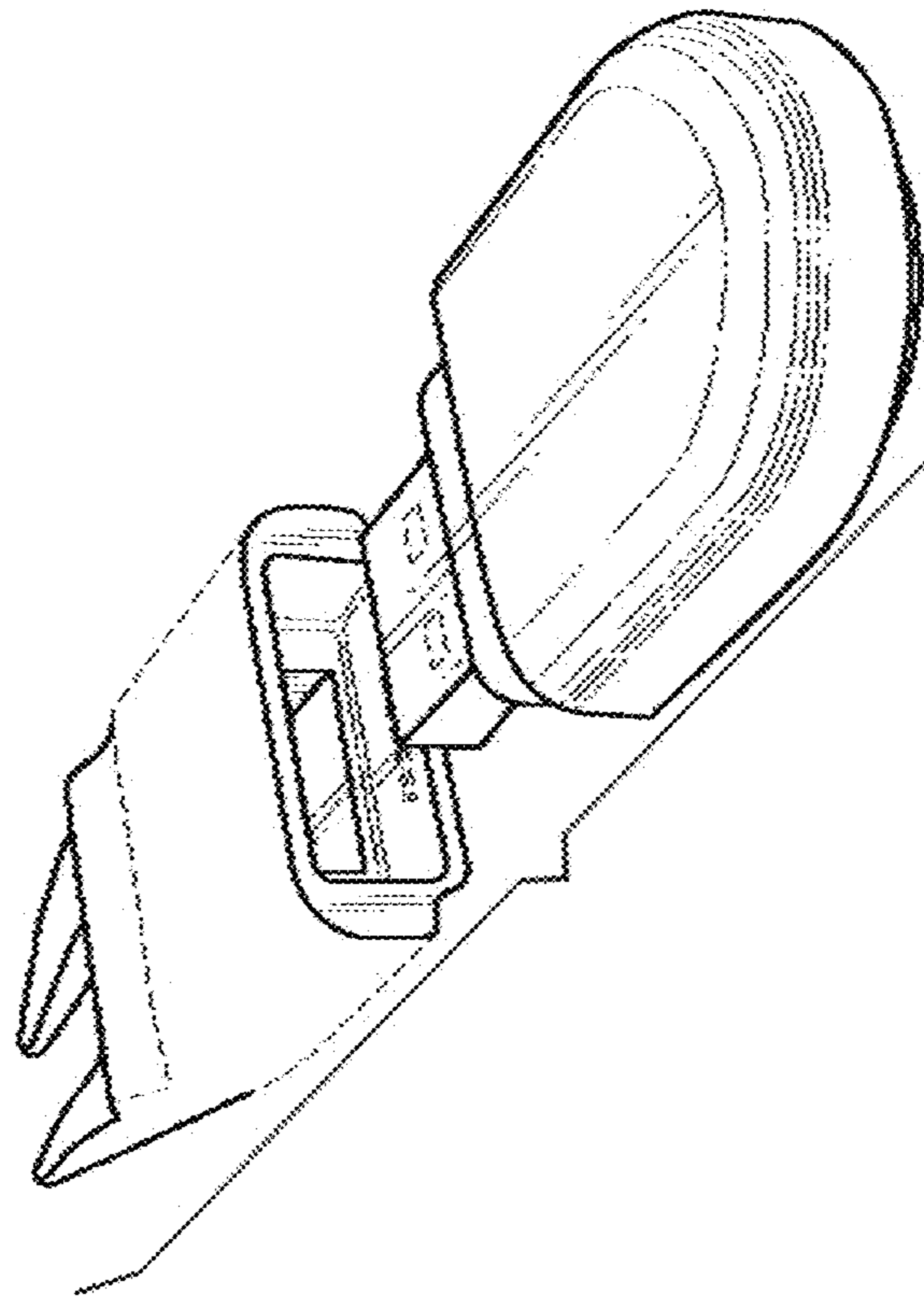


FIG. 11

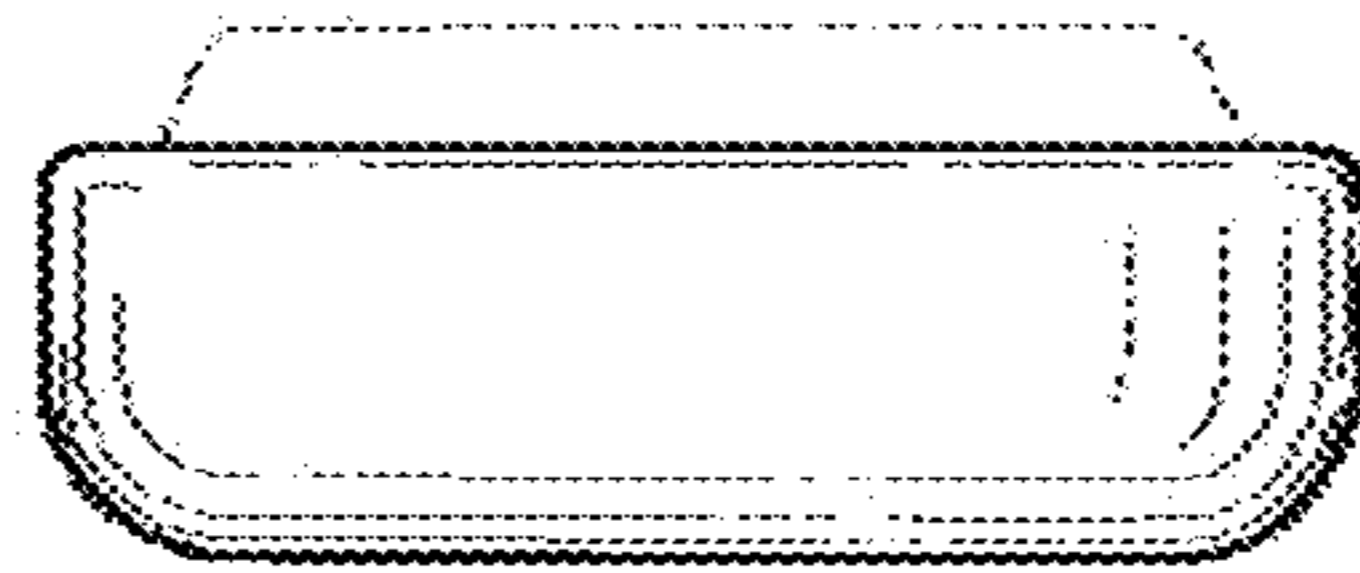


FIG. 10