



US00D761367S

(12) **United States Design Patent**
Bruce

(10) **Patent No.:** **US D761,367 S**
(45) **Date of Patent:** **** Jul. 12, 2016**

- (54) **GOLF CLUB HEAD**
- (71) Applicant: **Karsten Manufacturing Corporation**,
Phoenix, AZ (US)
- (72) Inventor: **Ryan Bruce**, Phoenix, AZ (US)
- (73) Assignee: **Karsten Manufacturing Corporation**,
Phoenix, AZ (US)
- (**) Term: **14 Years**
- (21) Appl. No.: **29/520,272**
- (22) Filed: **Mar. 12, 2015**
- (51) **LOC (10) Cl.** **21-02**
- (52) **U.S. Cl.**
USPC **D21/736**
- (58) **Field of Classification Search**
USPC D21/736-746
CPC A63B 53/065; A63B 53/0487; A63B
53/007; A63B 53/00
See application file for complete search history.

- (56) **References Cited**
U.S. PATENT DOCUMENTS
- | | | | |
|---------------|---------|---------------|-------------------------|
| D83,077 S * | 1/1931 | Sussams | 473/252 |
| D231,375 S | 4/1974 | Solheim | |
| 4,162,074 A * | 7/1979 | Thomson | A63B 53/0487
473/330 |
| D255,373 S | 6/1980 | Solheim | |
| 4,312,509 A * | 1/1982 | Grant | A63B 53/007
473/313 |
| D283,039 S | 3/1986 | Solheim | |
| D289,912 S | 5/1987 | Cotchonis | |
| D296,120 S | 6/1988 | Brace | |
| D324,711 S | 3/1992 | Antonious | |
| D341,405 S | 11/1993 | Solheim | |
| D360,668 S * | 7/1995 | Hattori | D21/741 |
| D363,327 S | 10/1995 | Greene et al. | |

- | | | | |
|--------------|---------|--------------------|---------|
| D363,328 S | 10/1995 | Greene et al. | |
| D363,330 S | 10/1995 | Greene et al. | |
| D396,080 S | 7/1998 | Bottema | |
| D399,911 S | 10/1998 | Nicolette | |
| D405,836 S | 2/1999 | Nicolette | |
| D408,064 S | 4/1999 | Slucker | |
| D411,271 S | 6/1999 | Nelson | |
| D427,262 S | 6/2000 | Frazetta | |
| D435,879 S * | 1/2001 | Jackson | D21/736 |
| D443,905 S | 6/2001 | Nicolette | |
| D458,326 S * | 6/2002 | Mullins | D21/736 |
| D463,517 S | 9/2002 | Ngon | |
| D470,203 S * | 2/2003 | Rollinson | D21/733 |
| D486,194 S | 2/2004 | Helmstetter et al. | |
| D498,276 S | 11/2004 | Schweigert | |
| D500,109 S | 12/2004 | Solheim | |
| D500,110 S | 12/2004 | Solheim | |
| 6,960,140 B2 | 11/2005 | Solheim | |

(Continued)

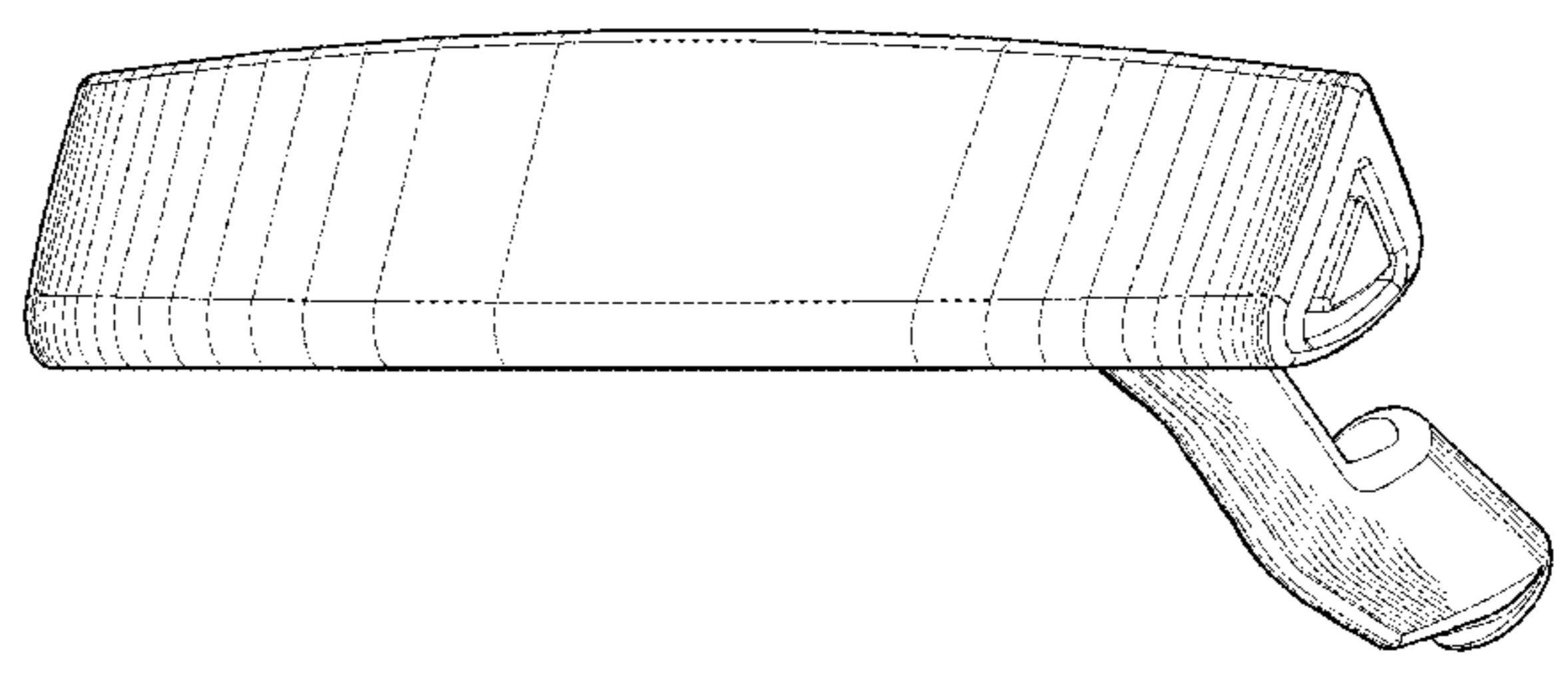
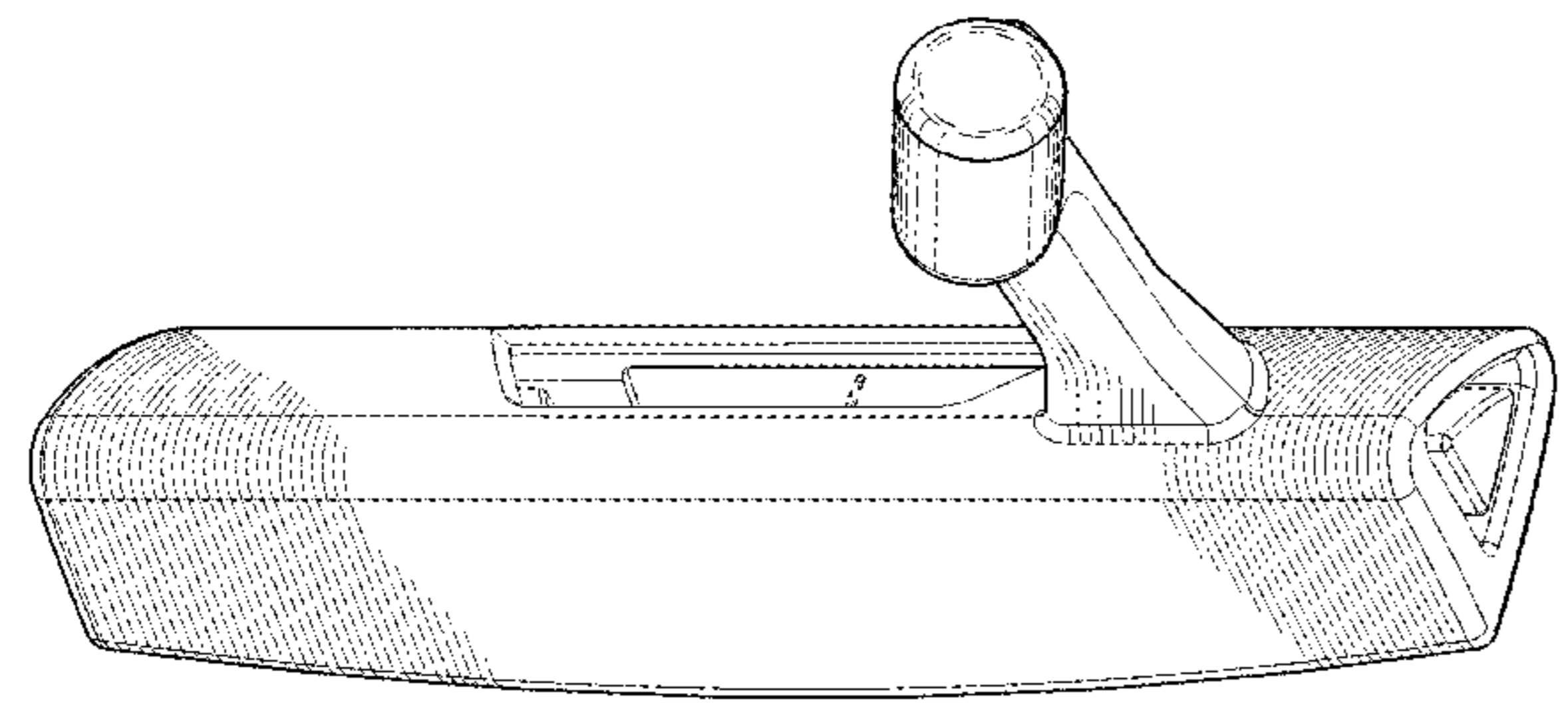
Primary Examiner — Mitchell Siegel

(57) **CLAIM**
The ornamental design for a golf club head, as shown and described.

DESCRIPTION

FIG. 1 is a top perspective view of a golf club head; FIG. 2 is a bottom perspective view of the golf club head of FIG. 1; FIG. 3 is a front view of the golf club head of FIG. 1; FIG. 4 is a rear view of the golf club head of FIG. 1; FIG. 5 is a top view of the golf club head of FIG. 1; FIG. 6 is a bottom view of the golf club head of FIG. 1; FIG. 7 is a left view of the golf club head of FIG. 1; and, FIG. 8 is a right view of the golf club head of FIG. 1. The broken lines shown in one or more of the figures are for illustrative purposes only and form no part of the claimed design.

1 Claim, 4 Drawing Sheets



(56)

References Cited

U.S. PATENT DOCUMENTS

D522,598 S 6/2006 Solheim
D525,327 S 7/2006 Jones
D525,329 S 7/2006 Jones
D532,842 S 11/2006 Jones
D532,843 S 11/2006 Jones
D547,403 S 7/2007 Serrano
D547,404 S 7/2007 Serrano
D547,405 S 7/2007 Serrano
7,255,650 B2 8/2007 Braynt
D574,909 S 8/2008 Jones
D599,423 S 9/2009 Serrano

D609,762 S * 2/2010 Mills D21/736
D692,076 S * 10/2013 Poling, Jr. D21/736
2004/0110574 A1 6/2004 Green
2006/0116216 A1 6/2006 Sorenson
2006/1014858 7/2006 Vinton
2007/0021230 A1 1/2007 Haack
2007/0117653 A1 5/2007 Yoneyama
2007/0135232 A1 6/2007 Billings
2007/0207875 A1 9/2007 Kuan et al.
2008/0293514 A1 11/2008 Franklin et al.
2009/0029800 A1 1/2009 Jones
2011/0039635 A1* 2/2011 Poling A63B 53/007
473/340

* cited by examiner

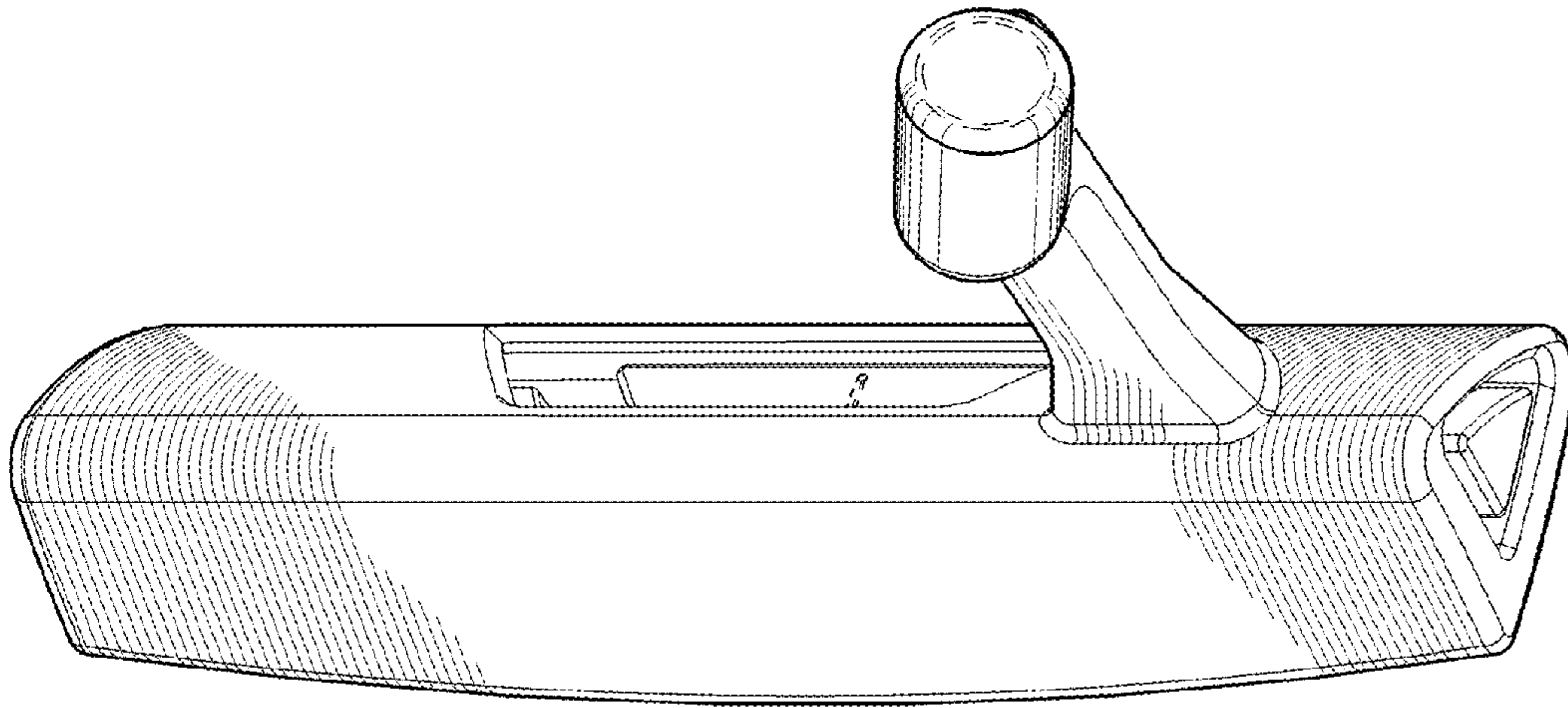


Fig. 1

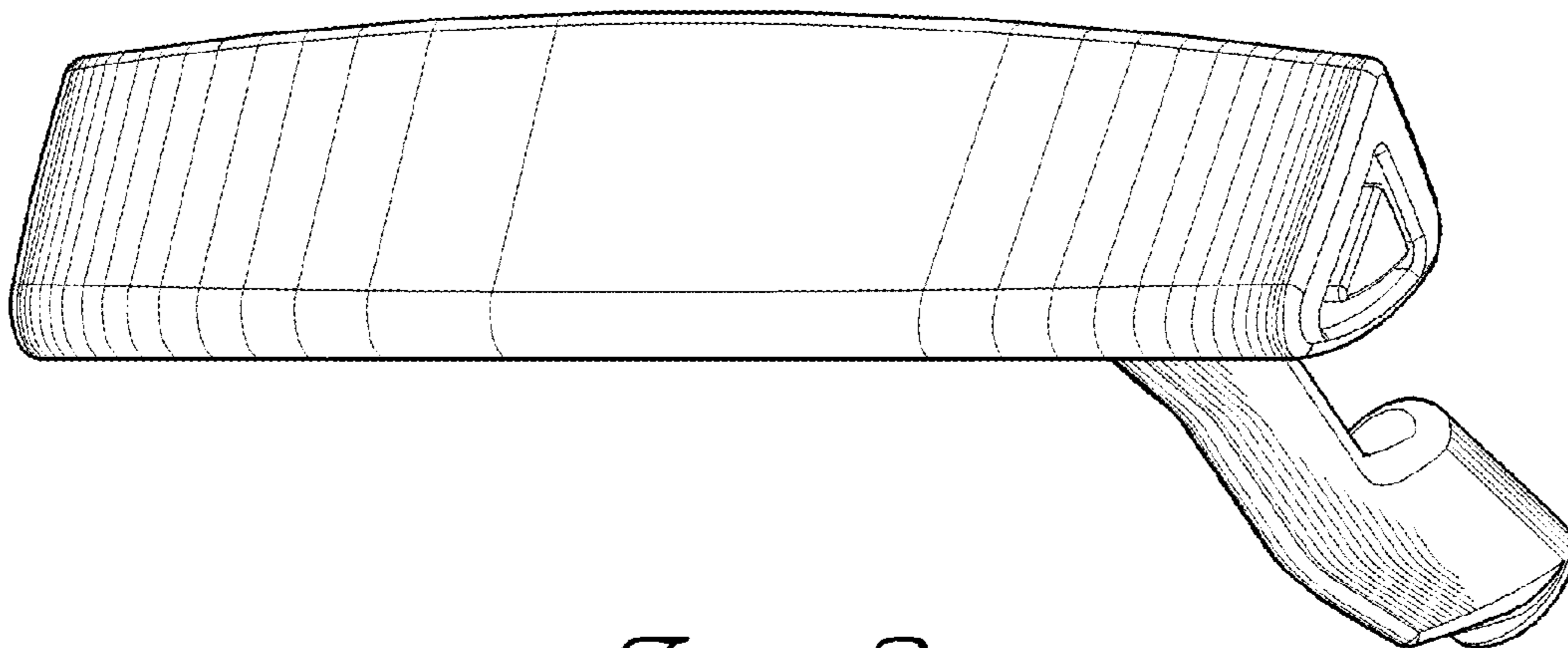


Fig. 2

Fig. 3

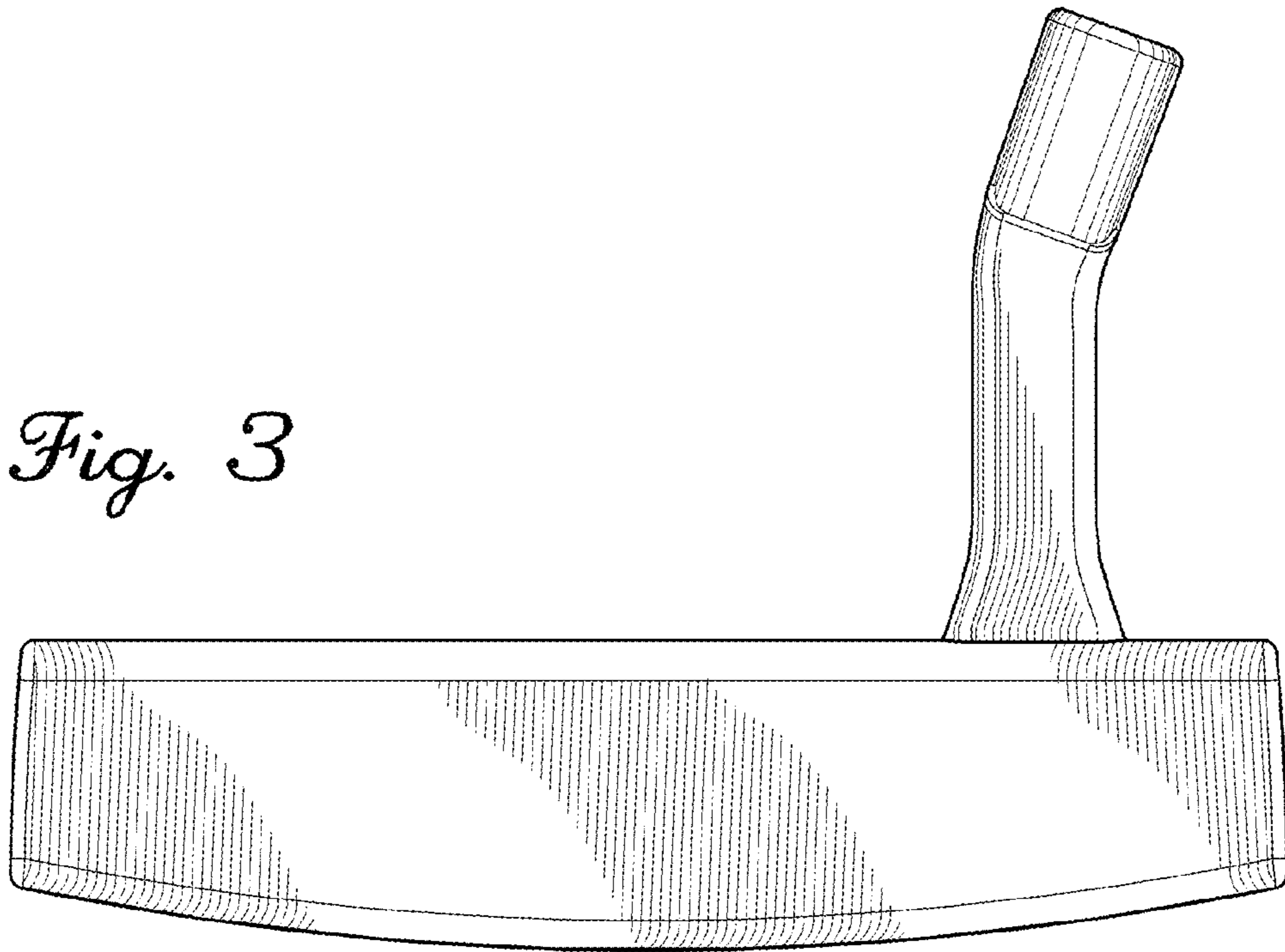
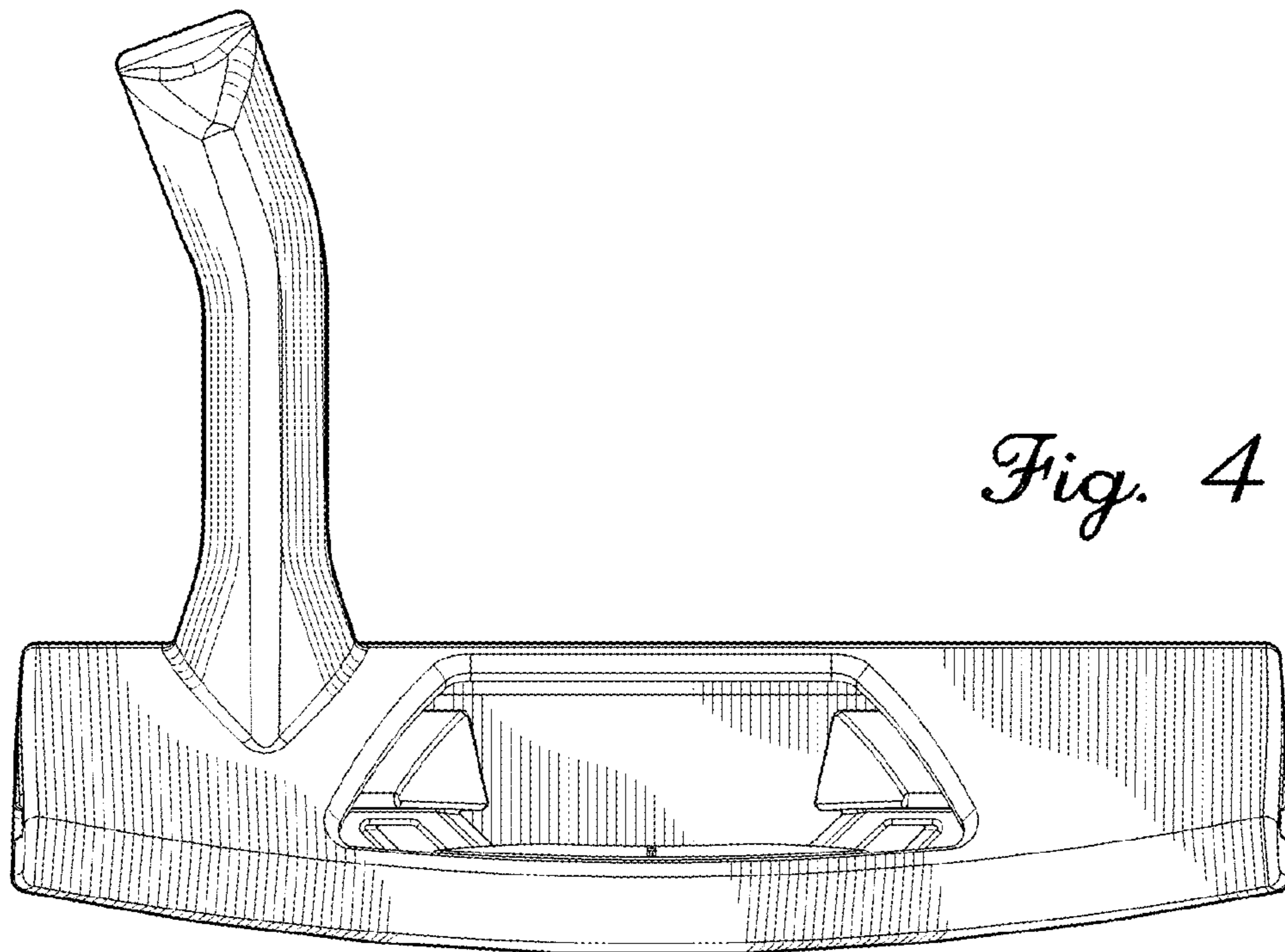


Fig. 4



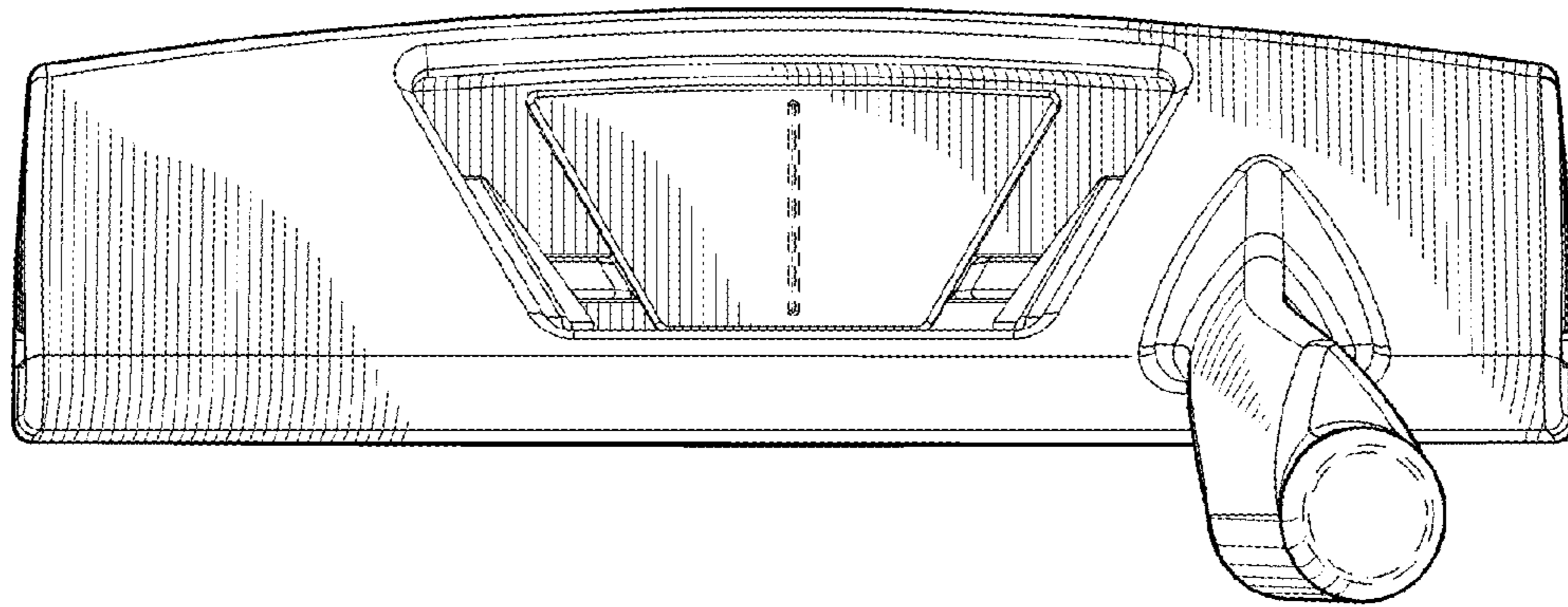


Fig. 5

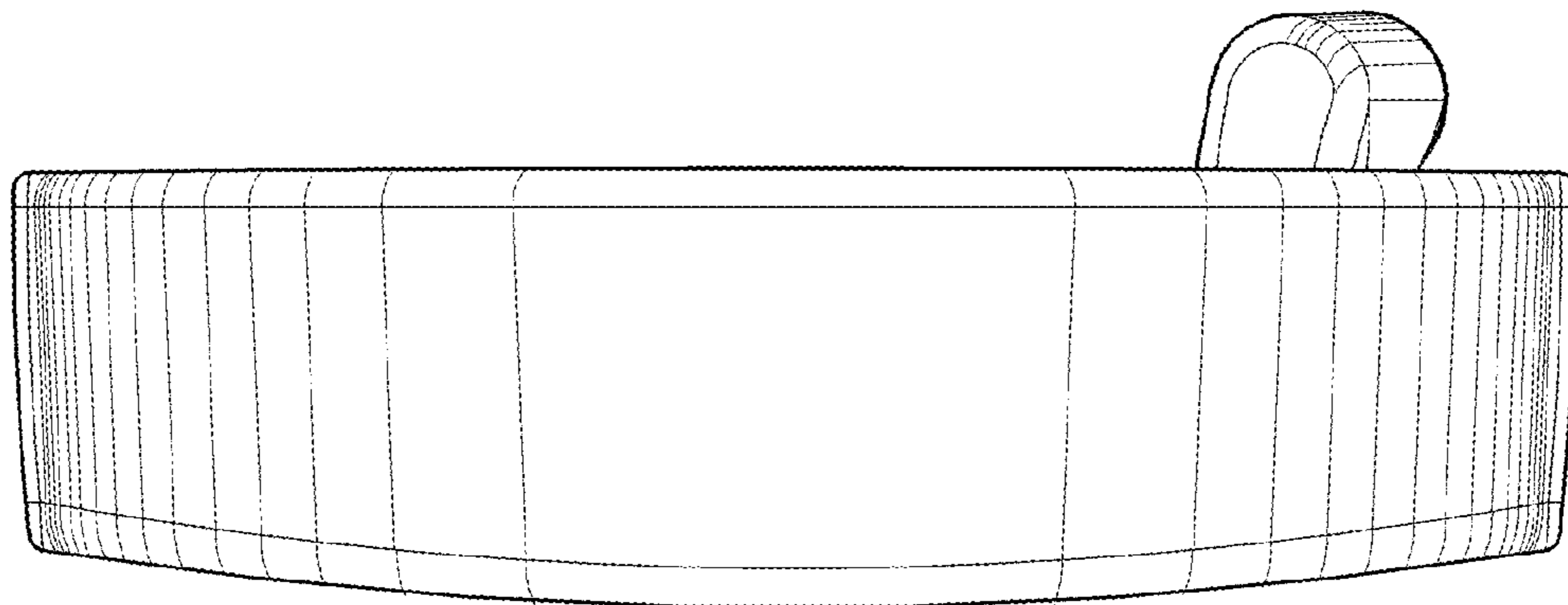


Fig. 6

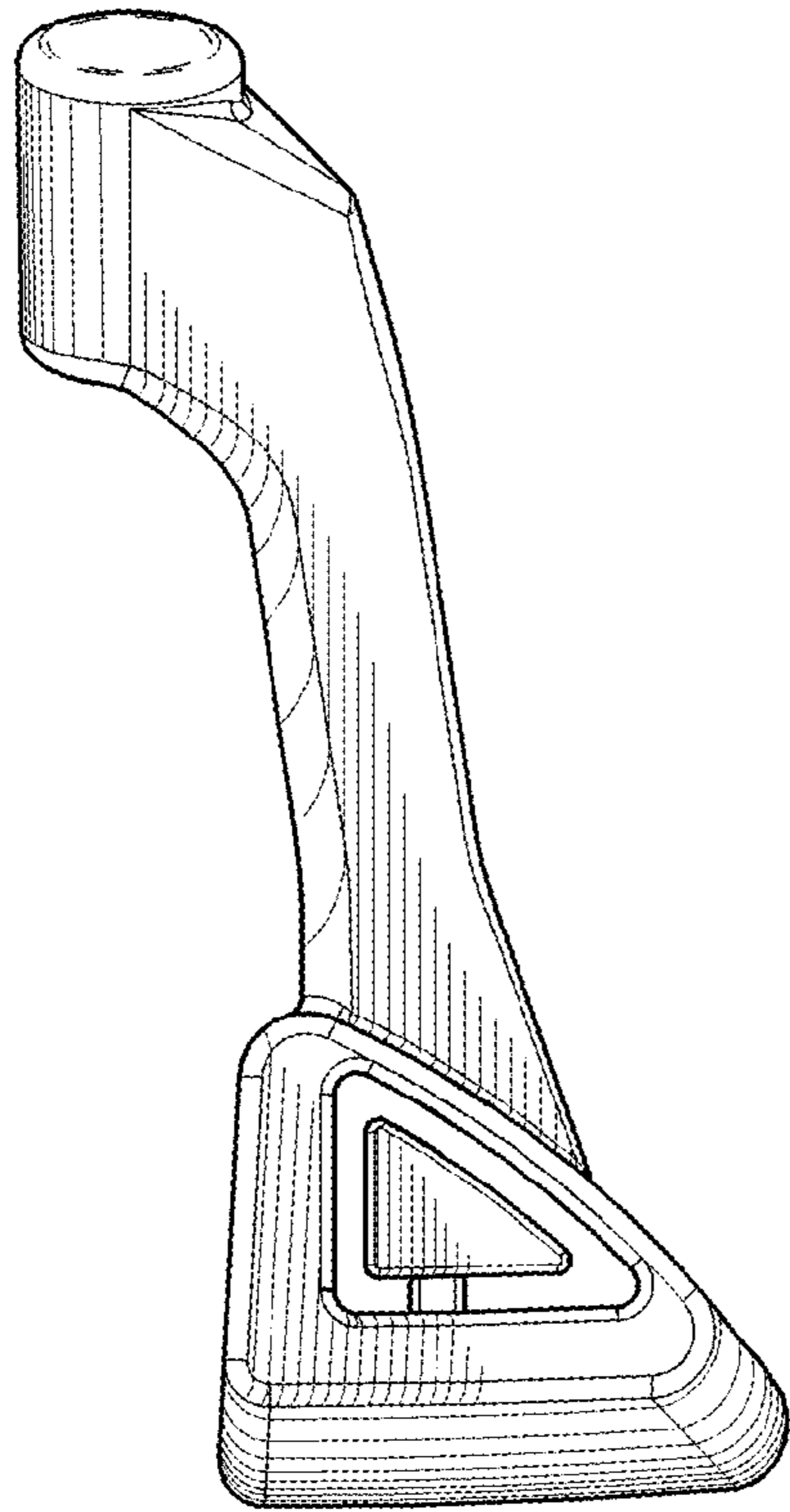


Fig. 7

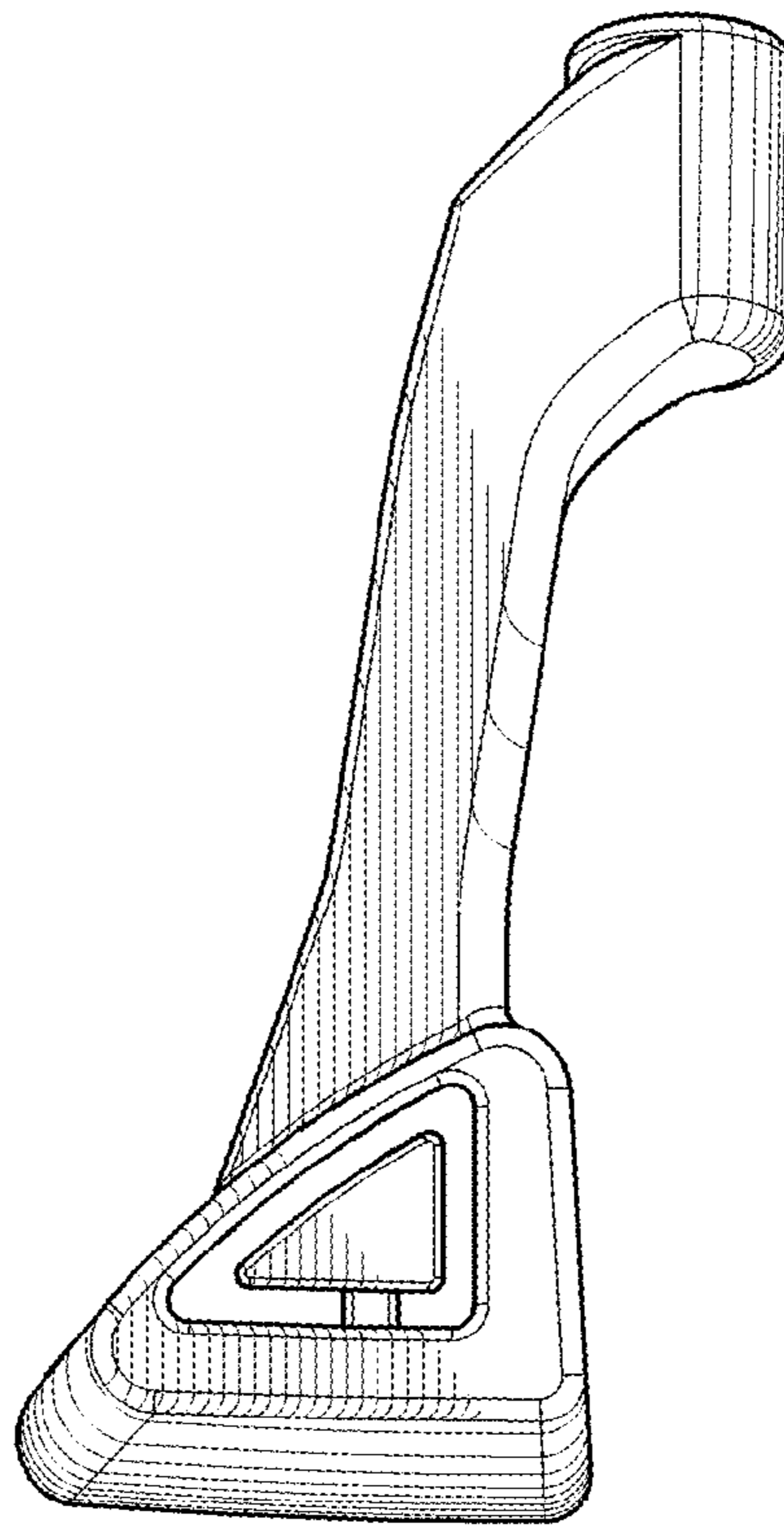


Fig. 8