



US00D761365S

(12) **United States Design Patent**
Champ

(10) **Patent No.:** **US D761,365 S**
(45) **Date of Patent:** **** Jul. 12, 2016**

- (54) **BUBBLE GUN**
- (71) Applicant: **MerchSource, LLC**, Irvine, CA (US)
- (72) Inventor: **Jeff Champ**, Aliso Viejo, CA (US)
- (73) Assignee: **MerchSource, LLC**, Irvine, CA (US)
- (**) Term: **14 Years**
- (21) Appl. No.: **29/525,088**
- (22) Filed: **Apr. 27, 2015**
- (51) **LOC (10) Cl.** **21-01**
- (52) **U.S. Cl.**
USPC **D21/570; D21/401**
- (58) **Field of Classification Search**
USPC D21/401, 402, 483, 567, 570, 572, 573,
D21/574, 575; 446/15-21, 475, 467, 487
CPC A63H 33/28
See application file for complete search history.

- 6,200,184 B1 3/2001 Rich et al.
- 6,315,627 B1 11/2001 Thai
- 6,331,130 B1 12/2001 Thai
- 6,416,377 B1 7/2002 Bart
- 6,544,091 B1 4/2003 Thai
- 6,547,622 B2 4/2003 Thai

(Continued)

OTHER PUBLICATIONS

Turbo Bubble Blower Gun Endless Stream of Bubbles; http://www.amazon.com/Turbo-Bubble-Blower-Endless-Bubbles/dp/B001LUUSN2/ref=sr_1_6?ie=UTF8&s=toys-and-games&qid=1278027482&sr=8-6; printed from website Aug. 19, 2015; undated; 4 pages.

(Continued)

Primary Examiner — Cynthia M Chin

(74) *Attorney, Agent, or Firm* — Avyno Law P.C.

(57) **CLAIM**

I claim the ornamental design for a bubble gun, as shown and described.

(56) **References Cited**

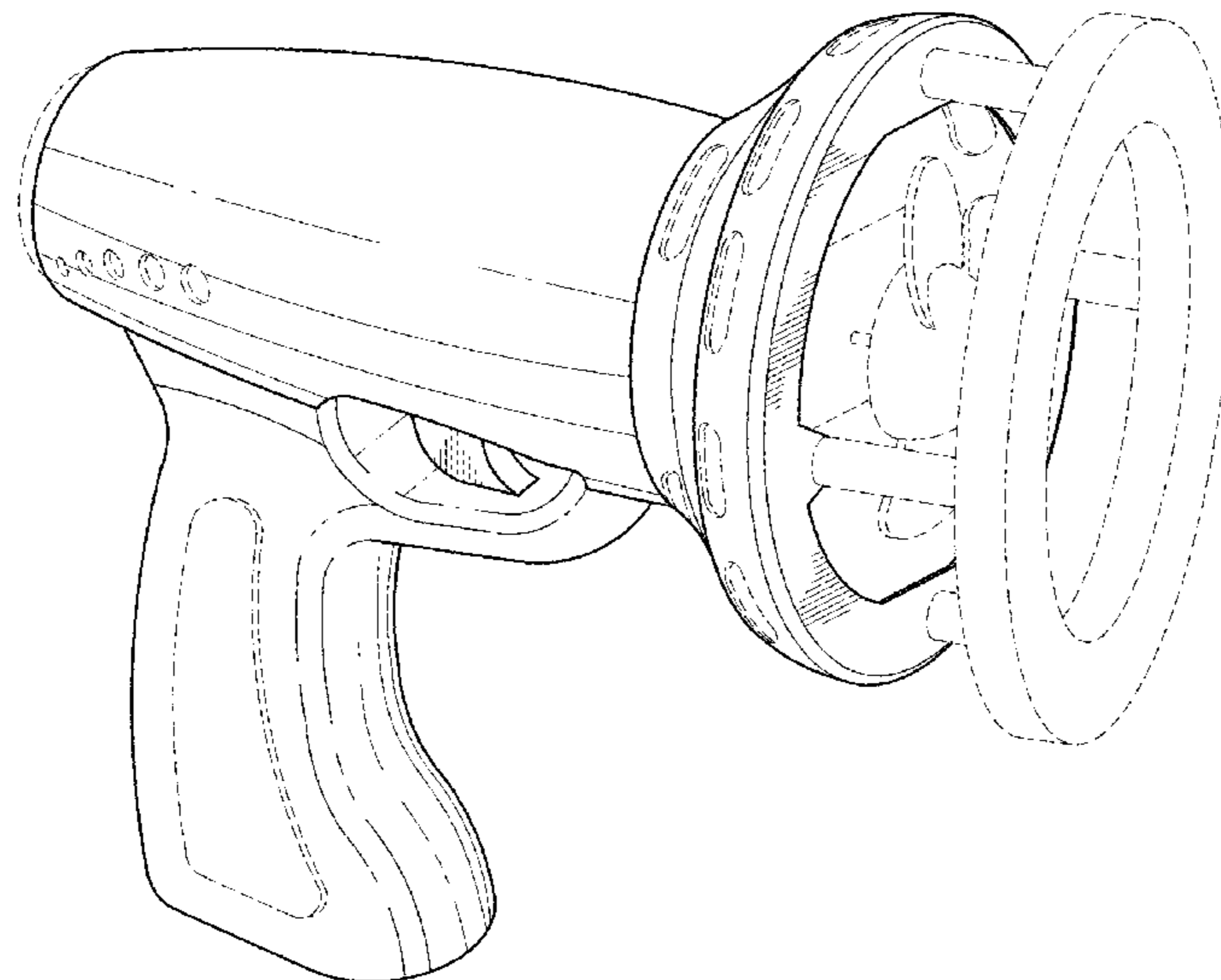
U.S. PATENT DOCUMENTS

- D94,312 S * 1/1935 Marx D21/574
- 3,834,066 A 9/1974 Vargas
- D261,908 S * 11/1981 Steinberg D21/401
- D273,880 S * 5/1984 Bart D21/401
- D309,759 S * 8/1990 Mak D21/401
- 5,462,469 A 10/1995 Lei
- 5,498,191 A 3/1996 DeMars
- 5,613,890 A 3/1997 DeMars
- 5,643,035 A 7/1997 Freese et al.
- 5,695,379 A 12/1997 Ho
- 5,879,218 A 3/1999 Tao
- D419,204 S * 1/2000 Bao D21/401
- 6,015,327 A 1/2000 Kovacs
- 6,102,764 A 8/2000 Thai
- 6,139,391 A 10/2000 Thai et al.
- 6,149,486 A 11/2000 Thai
- 6,186,853 B1 2/2001 Messina

DESCRIPTION

FIG. 1 is a perspective view of a bubble gun.
FIG. 2 is a side view of the right side of the bubble gun of FIG. 1.
FIG. 3 is a side view of the left side of the bubble gun of FIG. 1.
FIG. 4 is a top of the bubble gun of FIG. 1.
FIG. 5 is a bottom view of bubble gun of FIG. 1.
FIG. 6 is a front view of the bubble gun of FIG. 1; and,
FIG. 7 is a rear view of the bubble gun of FIG. 1.
The broken lines shown are included for the purpose of illustrating the unclaimed portions of the article and forms no part of the claimed design.

1 Claim, 5 Drawing Sheets



(56)

References Cited

U.S. PATENT DOCUMENTS

| | | | | |
|--------------|------|---------|----------------|----------------------|
| 6,572,427 | B1 | 6/2003 | Thai | |
| 6,616,498 | B1 | 9/2003 | Thai | |
| 6,620,015 | B2 | 9/2003 | Thai | |
| 6,620,016 | B1 | 9/2003 | Thai | |
| 6,659,830 | B2 | 12/2003 | Thai | |
| 6,682,570 | B2 | 1/2004 | Thai | |
| 6,755,710 | B2 | 6/2004 | Thai | |
| 6,786,251 | B2 | 9/2004 | Nadel et al. | |
| 6,860,782 | B2 | 3/2005 | Hornsby et al. | |
| 6,893,314 | B2 | 5/2005 | Thai | |
| 6,921,312 | B2 | 7/2005 | Thai | |
| D508,720 | S * | 8/2005 | Yuen | D14/158 |
| 6,953,376 | B1 | 10/2005 | Kim et al. | |
| 6,969,293 | B2 | 11/2005 | Thai | |
| 6,988,926 | B2 | 1/2006 | Thai | |
| 7,008,287 | B2 | 3/2006 | Thai | |
| 7,021,986 | B2 | 4/2006 | Thai | |
| 7,052,356 | B2 | 5/2006 | Thai | |
| 7,059,930 | B2 | 6/2006 | Choi | |
| 7,172,485 | B2 | 2/2007 | Thai | |
| 7,182,665 | B2 | 2/2007 | Thai | |
| 7,223,149 | B2 | 5/2007 | Thai | |
| 7,335,082 | B2 | 2/2008 | Thai | |
| 7,367,861 | B2 | 5/2008 | Thai | |
| 7,476,139 | B2 | 1/2009 | Thai | |
| 7,883,390 | B2 | 2/2011 | Thai | |
| 8,038,500 | B2 | 10/2011 | Thai | |
| 8,087,968 | B2 | 1/2012 | Amron | |
| D674,026 | S * | 1/2013 | Roos | D21/401 |
| D722,117 | S * | 2/2015 | Chen | D21/401 |
| D735,275 | S * | 7/2015 | Krivulin | D21/401 |
| 2004/0142626 | A1 * | 7/2004 | Choi | A63H 33/28 446/15 |
| 2007/0037467 | A1 * | 2/2007 | Thai | A63H 33/28 446/15 |
| 2009/0142986 | A1 | 6/2009 | San | |
| 2012/0027462 | A1 | 2/2012 | Nozawa | |

OTHER PUBLICATIONS

Many Bubbles Mini Ray Gun by Toy Smith; http://www.amazon.com/Many-Bubbles-Mini-Ray-Gun/dp/B001NXOHGQ/ref=sr_1_

12?ie=UTF8&s=toys-and-games&qid=1278029753&sr=8-12; printed from website Aug. 19, 2015; undated; 5 pages.

Bubble Shooter; http://www.amazon.com/gp/product/B004RCPI2M/sr=8-15/qid=1372374614/ref=olp_product_details?ie=UTF8&me=&qid=1372374614&seller=&sr=8-15; printed from website Aug. 19, 2015; undated; 5 pages.

Extream Bubbles by Toymith; http://www.amazon.com/Extream-Bubbles-by-Toymith/dp/B000ICZ8WA/ref=sr_1_4?ie=UTF8&s=toys-and-games&qid=1278027482&sr=8-4; printed from website Aug. 19, 2015; undated; 3 pages.

Little Kids Motorized Bubble Light by Little Kids; http://www.amazon.com/Little-Kids-Motorized-Bubble-Light/dp/B00005BR5Y/ref=sr_1_5?ie=UTF8&s=toys-and-games&qid=1278027482&sr=8-5; printed from website Aug. 19, 2015; undated; 3 pages.

Automatic Bubble Blower Gun by Bubble Gun; http://www.amazon.com/Bubble-Gun-Automatic-Blower/dp/B002CZJRR6/ref=sr_1_13?ie=UTF8&s=toys-and-games&qid=1278030985&sr=8-13; printed from website Aug. 19, 2015; undated; 3 pages.

Disney Bubble Blaster: Buzz Lightyear; http://www.amazon.com/Disney-Bubble-Blaster-Buzz-Lightyear/dp/B00016SW3A/ref=sr_1_7?ie=UTF8&s=toys-and-games&qid=1278027482&sr=8-7; printed from website Aug. 19, 2015; undated; 4 pages.

Gazillion Bubble Machine by Funrise; http://www.amazon.com/Funrise-32417-Gazillion-Bubble-Machine/dp/B000197NXM/ref=sr_1_9?ie=UTF8&s=toys-and-games&qid=1278027482&sr=8-9; printed from website Aug. 19, 2015; undated; 7 pages.

LED Bubble Gun with Endless Bubbles, Musical and Light Up—Batteries Included by Roger Enterprises http://www.amazon.com/Endless-Bubbles-Musical-Batteries-Included/dp/B003NA5M4I/ref=sr_1_10?ie=UTF8&s=toys-and-games&qid=1278029753&sr=8-10; printed from website Aug. 19, 2015; undated; 5 pages.

3 Pcs Battery Operated Bubble Blower Guns Combo; http://www.amazon.com/Battery-Operated-Bubble-Blower-Combo/dp/B003JUHFOQ/ref=sr_1_14?ie=UTF8&s=toys-and-games&qid=1278030985&sr=8-14; printed from website Aug. 19, 2015; undated; 6 pages.

Infinite Bubbles Blizzard by Placo Toys; http://www.amazon.com/Placo-Toys-Infinite-Bubbles-Blizzard/dp/B001TOZDEE/ref=sr_1_1?ie=UTF8&s=toys-and-games&qid=1278098273&sr=8-1; printed from website Aug. 19, 2015; undated; pages.

* cited by examiner

FIG. 1

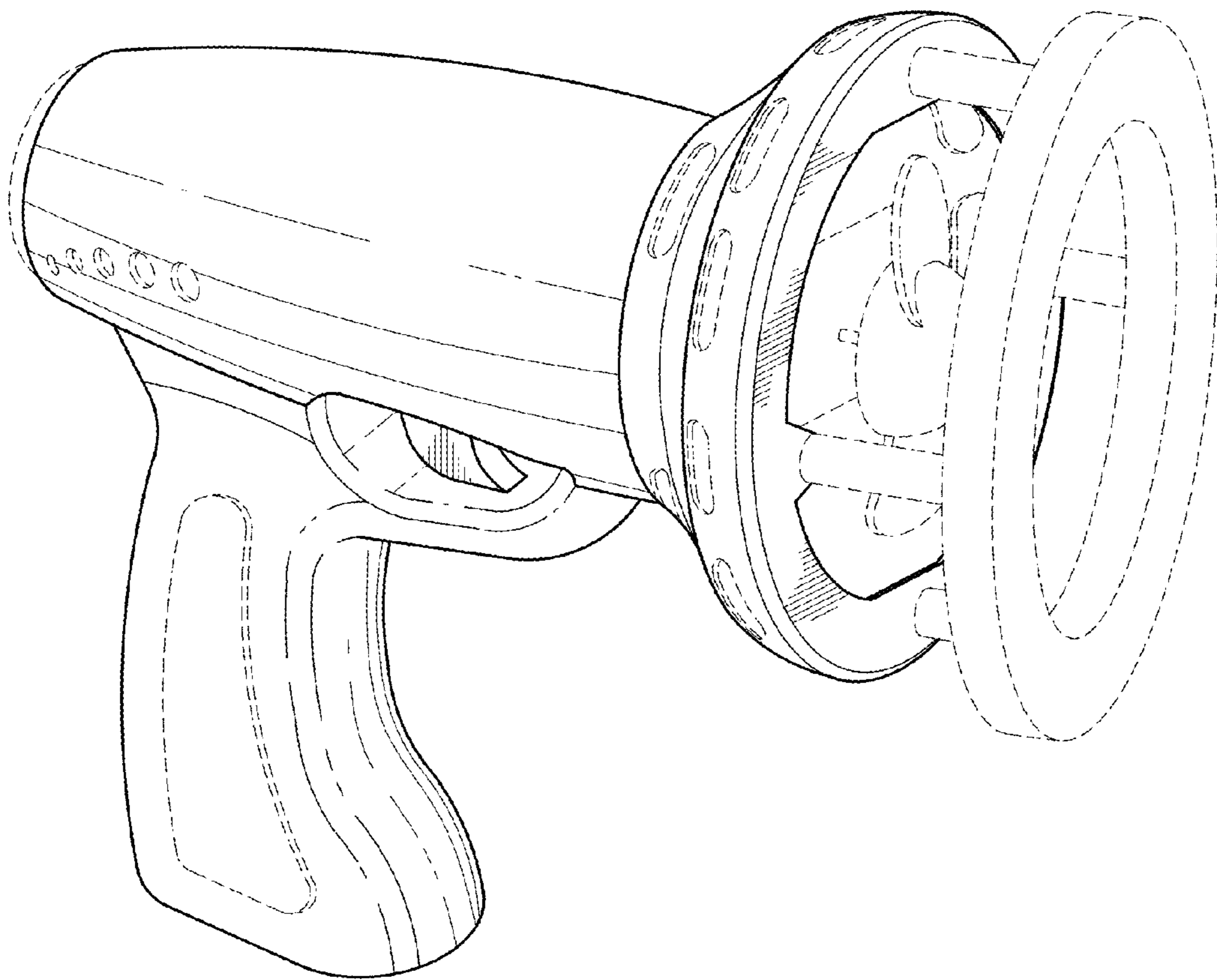


FIG. 2

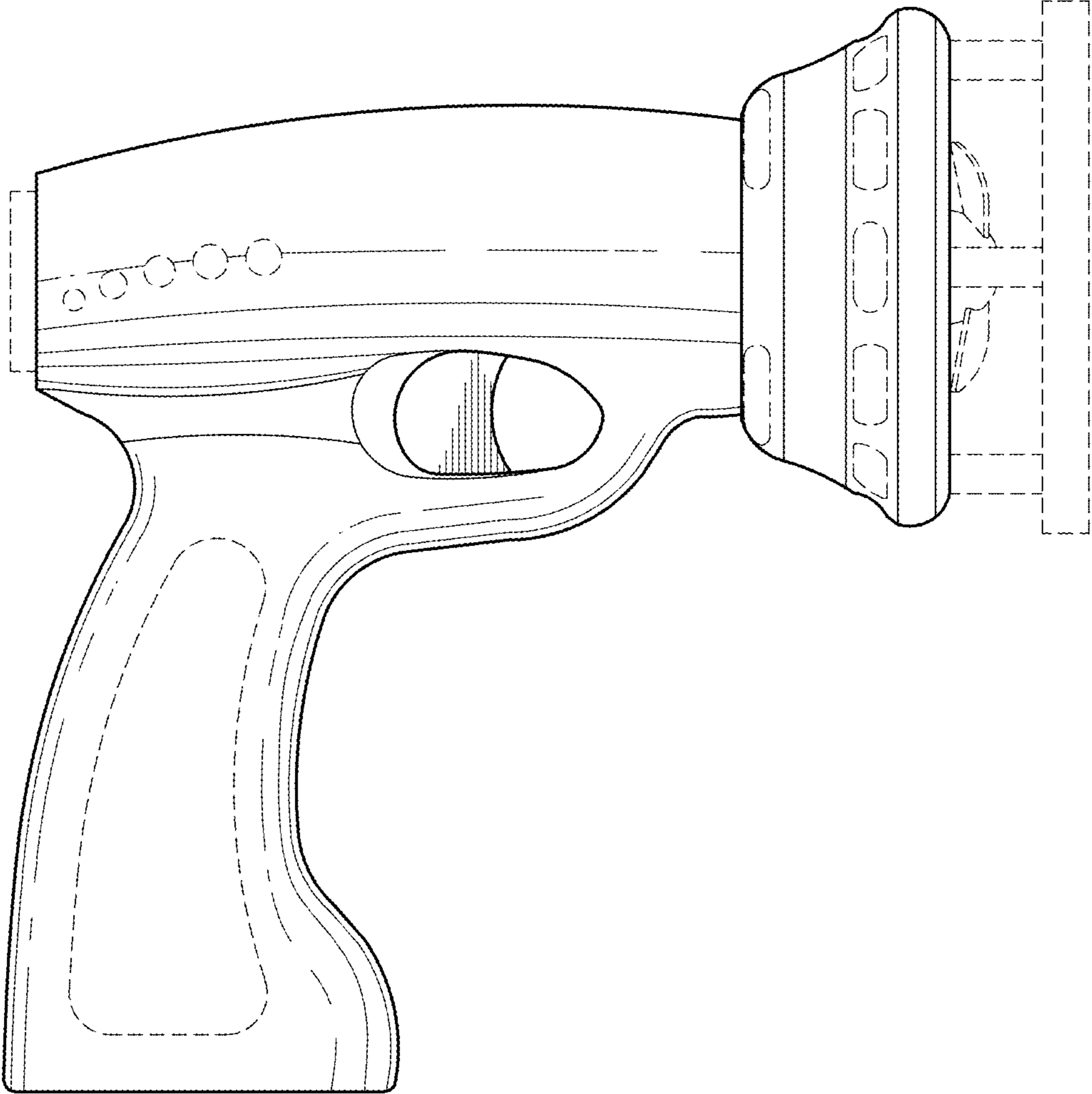
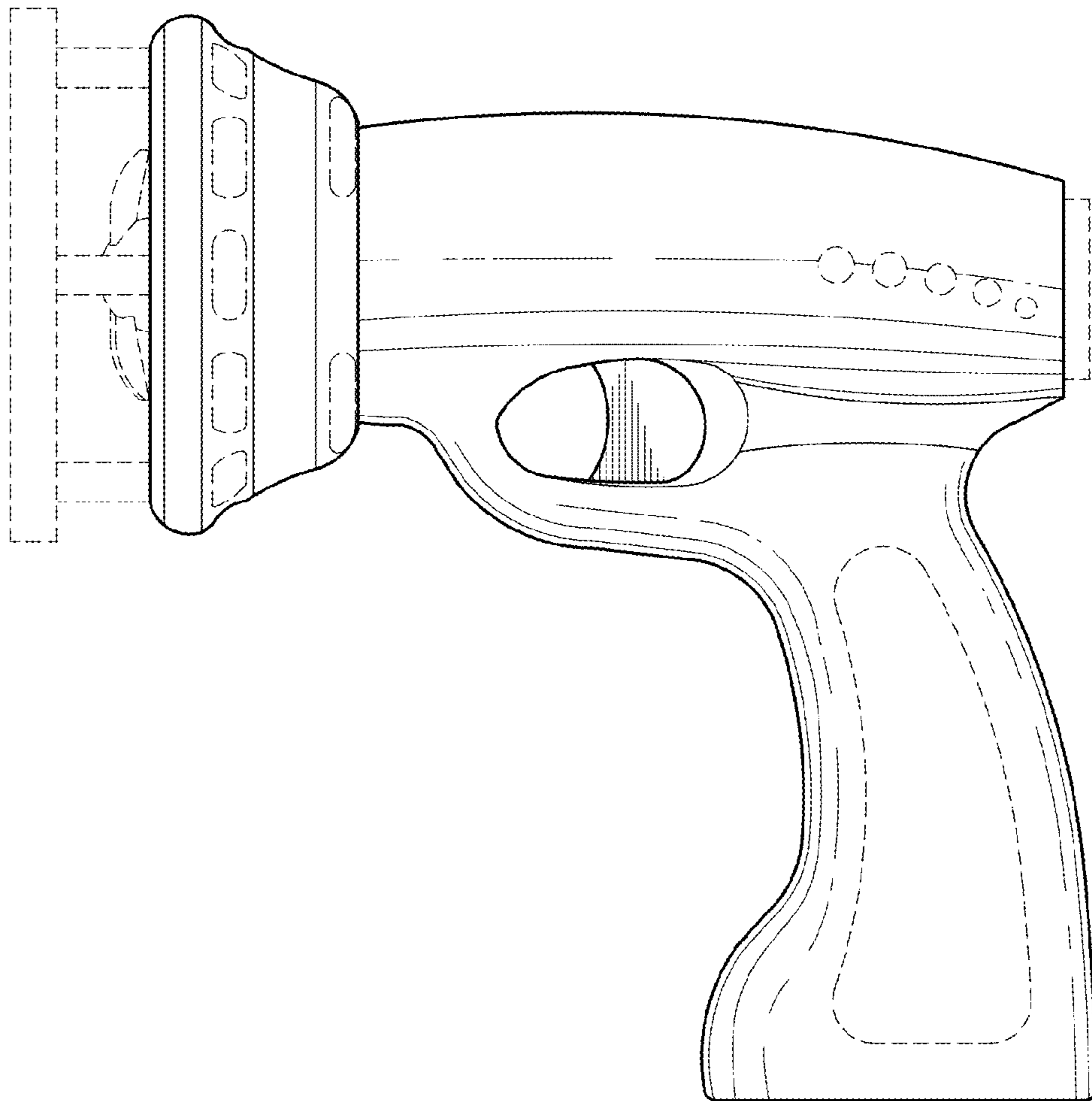


FIG. 3



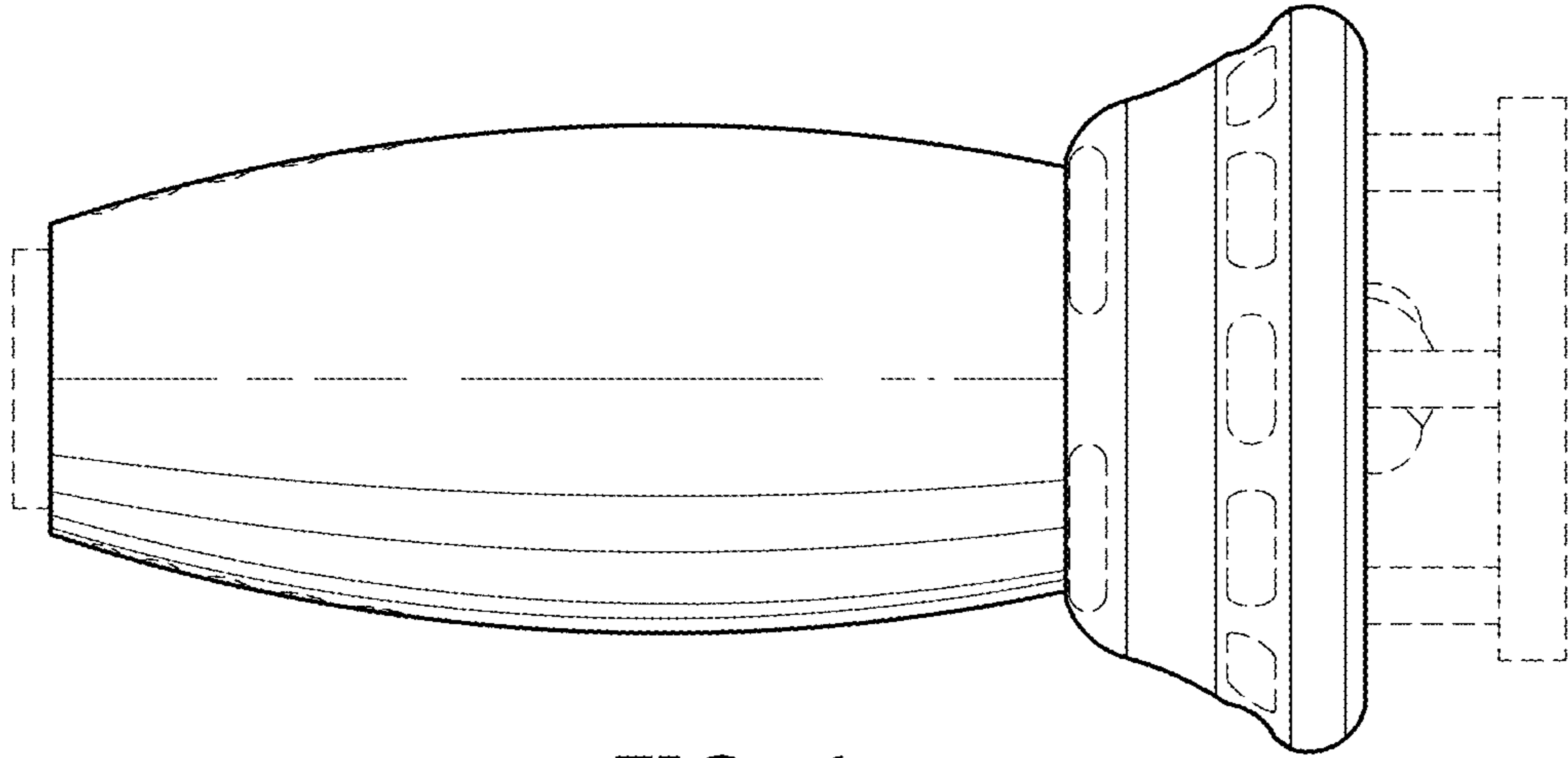


FIG. 4

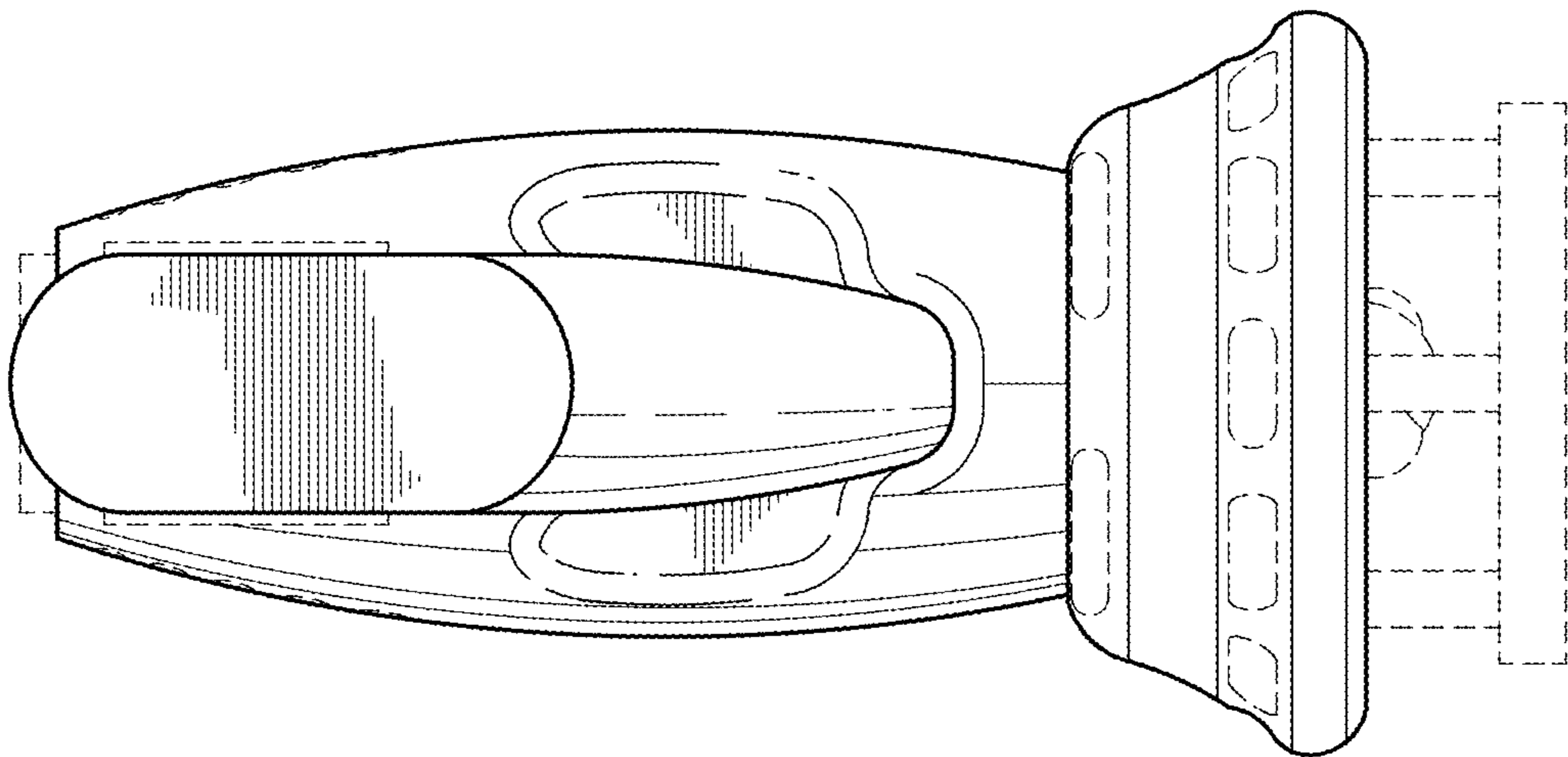


FIG. 5

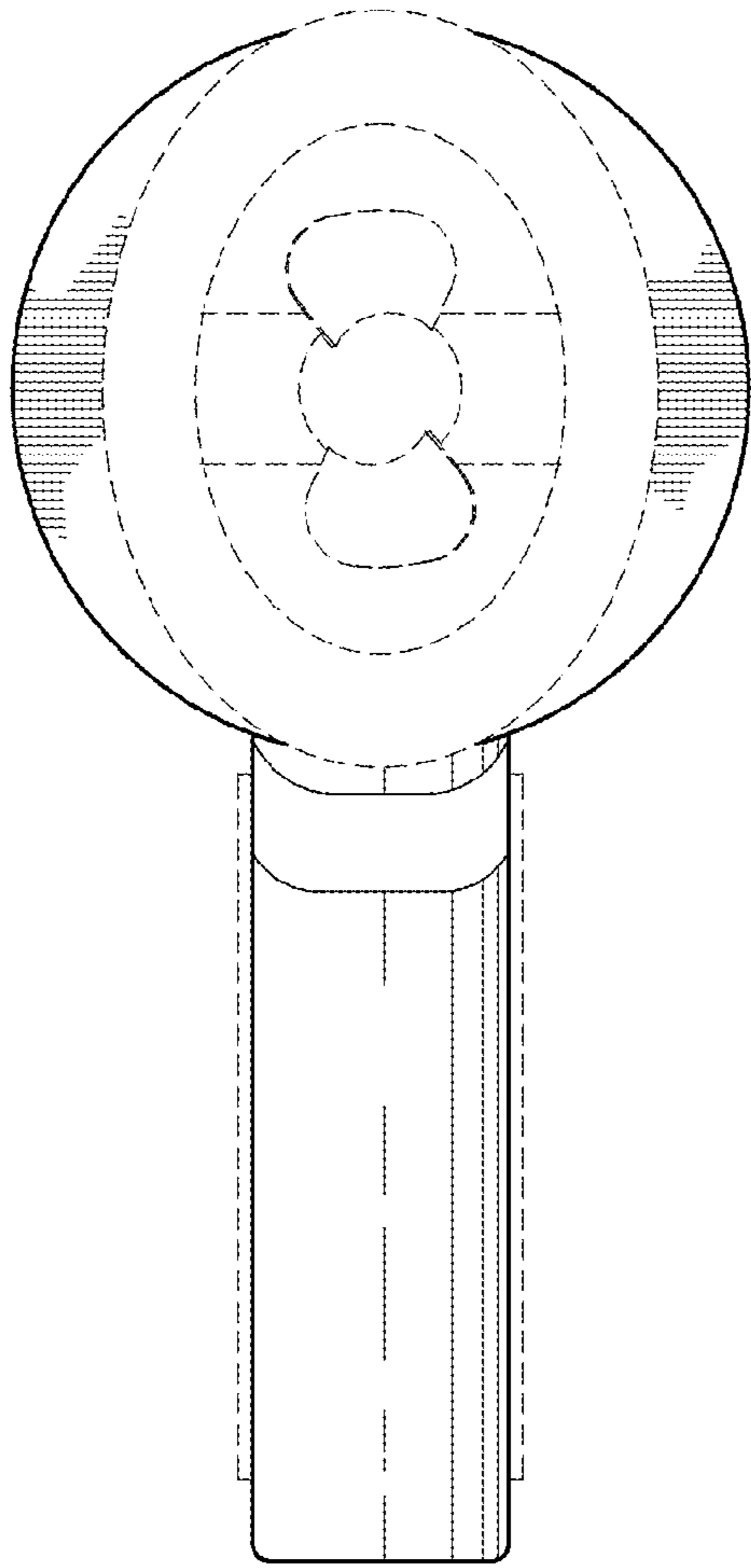


FIG. 6

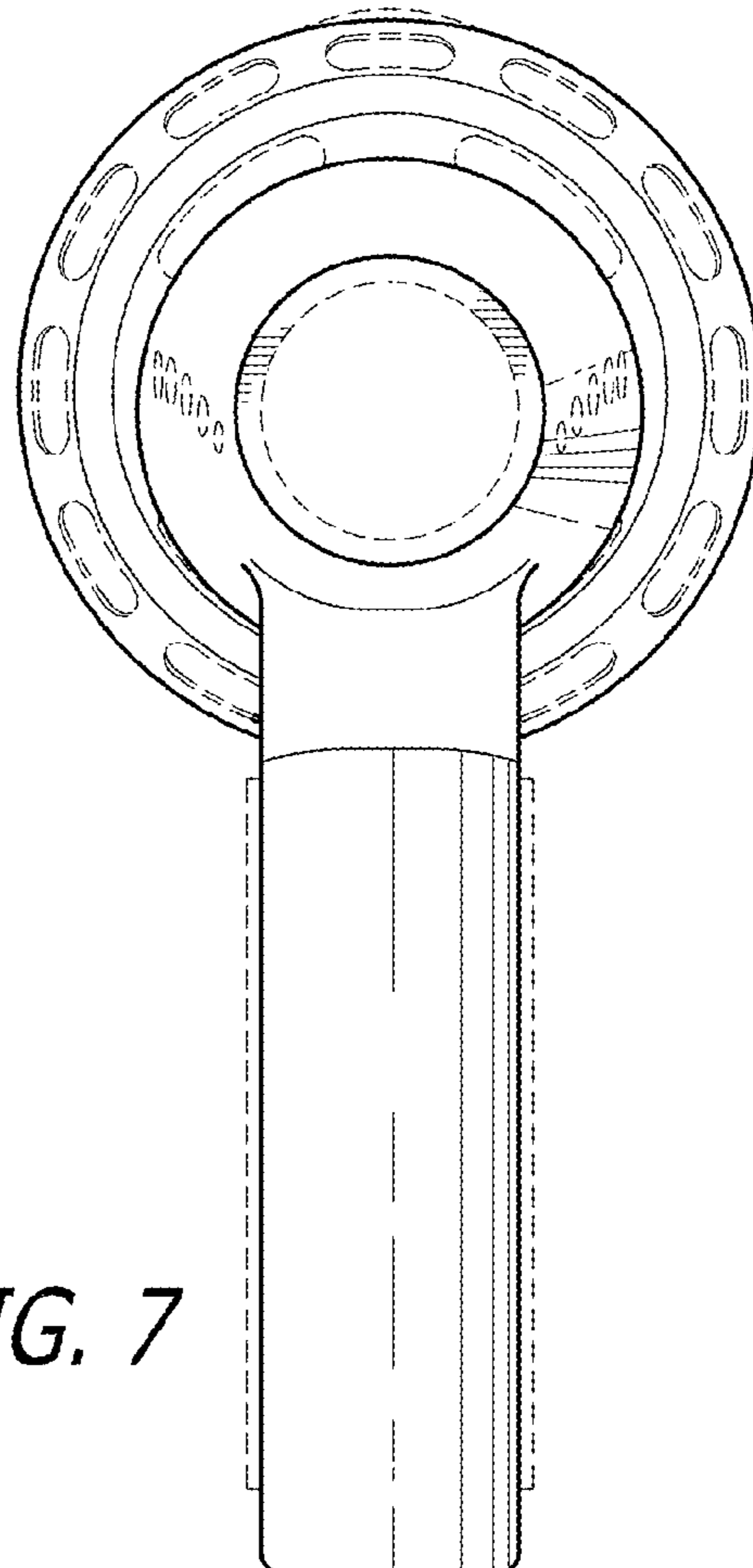


FIG. 7