

US00D761359S

(12) **United States Design Patent**
Wormser

(10) **Patent No.:** **US D761,359 S**
(45) **Date of Patent:** **** Jul. 12, 2016**

(54) **DISPLAY SIGN BASE**

(71) Applicant: **Mark Wormser**, Ocala, FL (US)

(72) Inventor: **Mark Wormser**, Ocala, FL (US)

(**) Term: **14 Years**

(21) Appl. No.: **29/525,227**

(22) Filed: **Apr. 28, 2015**

(51) **LOC (10) Cl.** **20-03**

(52) **U.S. Cl.**
USPC **D20/43**

(58) **Field of Classification Search**
USPC D20/10, 42-44, 99; D6/300, 675,
D6/675.1, 682.1, 682.3; D34/38
CPC G09F 1/10; G09F 1/103; G09F 1/12;
G09F 1/14; G09F 2001/106; G09F 3/18;
G09F 3/185; G09F 3/20; G09F 3/201; G09F
3/202; G09F 3/204; G09F 7/10; G09F 7/18;
A47B 87/02; A47F 5/118

See application file for complete search history.

(56) **References Cited**

U.S. PATENT DOCUMENTS

4,836,393	A *	6/1989	Maye	A47F 5/118
				108/91
6,123,035	A *	9/2000	Pfister	A47B 87/0223
				108/147.13
D496,545	S *	9/2004	McDiarmid	D6/675.1
D699,057	S *	2/2014	Price	D6/675
D724,152	S *	3/2015	Theobald, III	D20/43

* cited by examiner

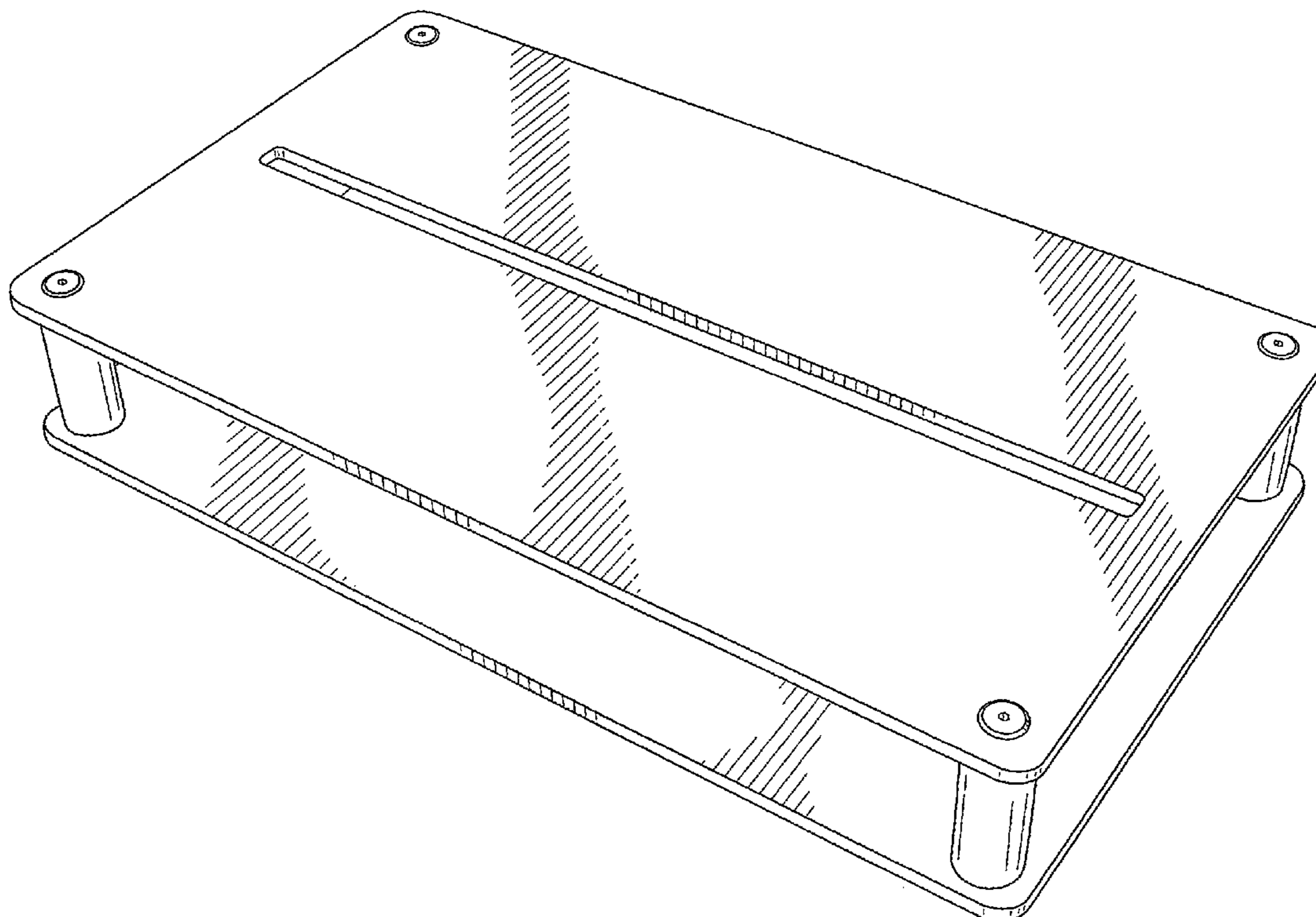
Primary Examiner — Mary Ann Calabrese
(74) *Attorney, Agent, or Firm* — Allen Dyer Doppelt
Milbrath & Gilchrist

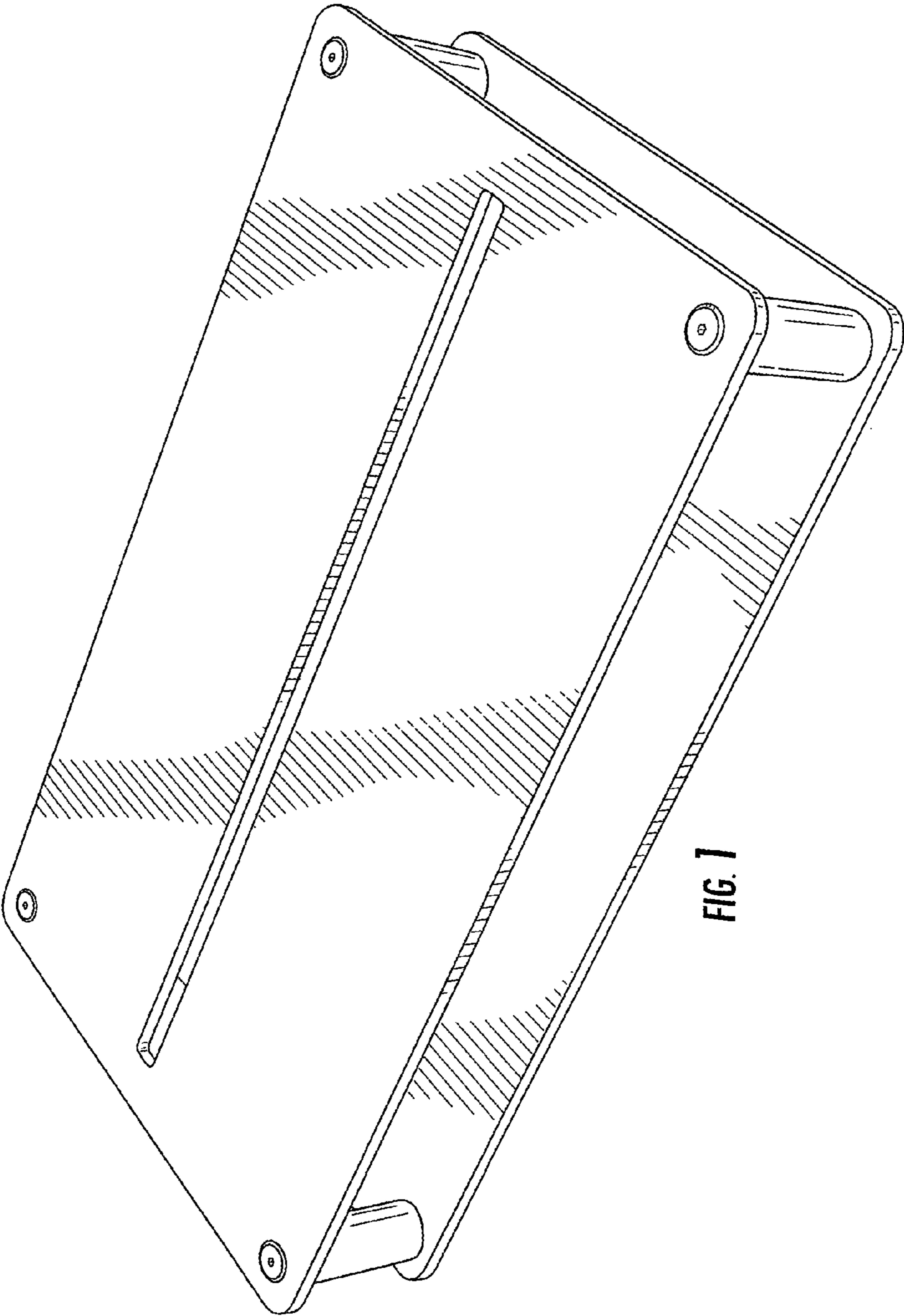
(57) **CLAIM**
The ornamental design for a display sign base, as shown.

DESCRIPTION

FIG. 1 is a top, front, left side perspective view showing my new design;
FIG. 2 is a bottom, back, right side perspective view of the design of FIG. 1;
FIG. 3 is a top view of the design of FIG. 1;
FIG. 4 is a bottom view of the design of FIG. 1;
FIG. 5 is a front view of the design of FIG. 1;
FIG. 6 is a back view of the design of FIG. 1;
FIG. 7 is left side view of the design of FIG. 1; and,
FIG. 8 is a right side view of the design of FIG. 1.

1 Claim, 6 Drawing Sheets





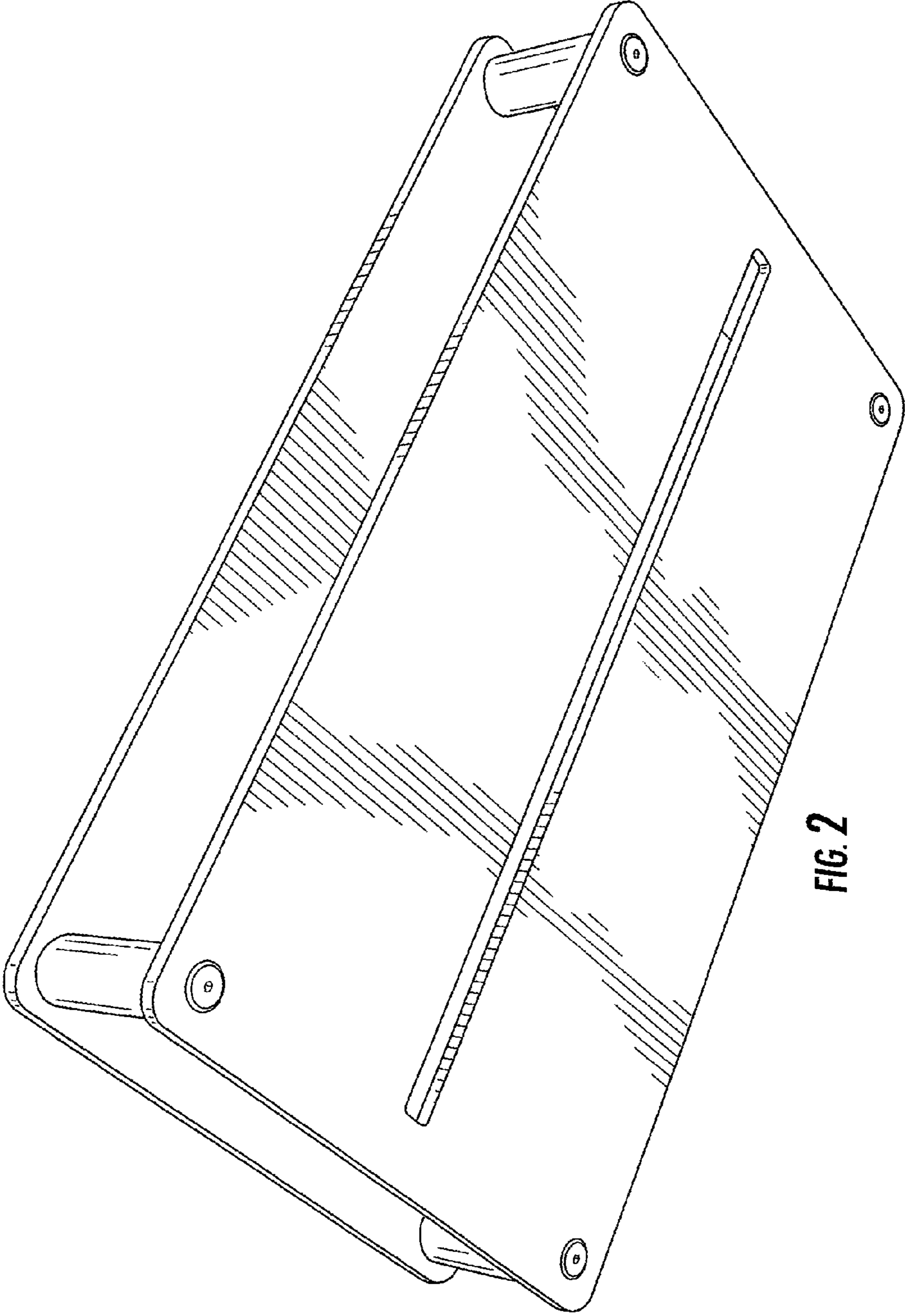


FIG. 2

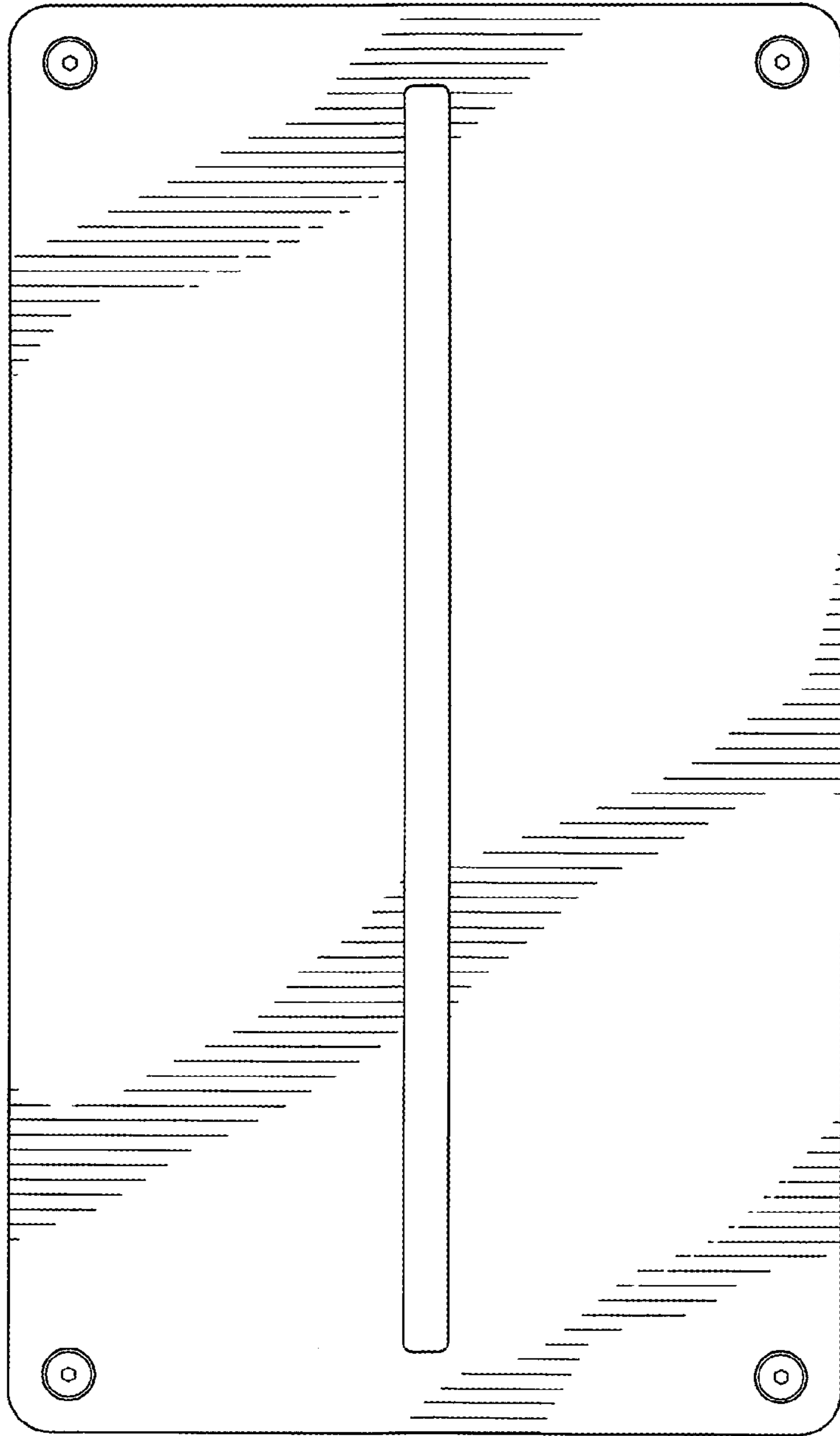


FIG. 3

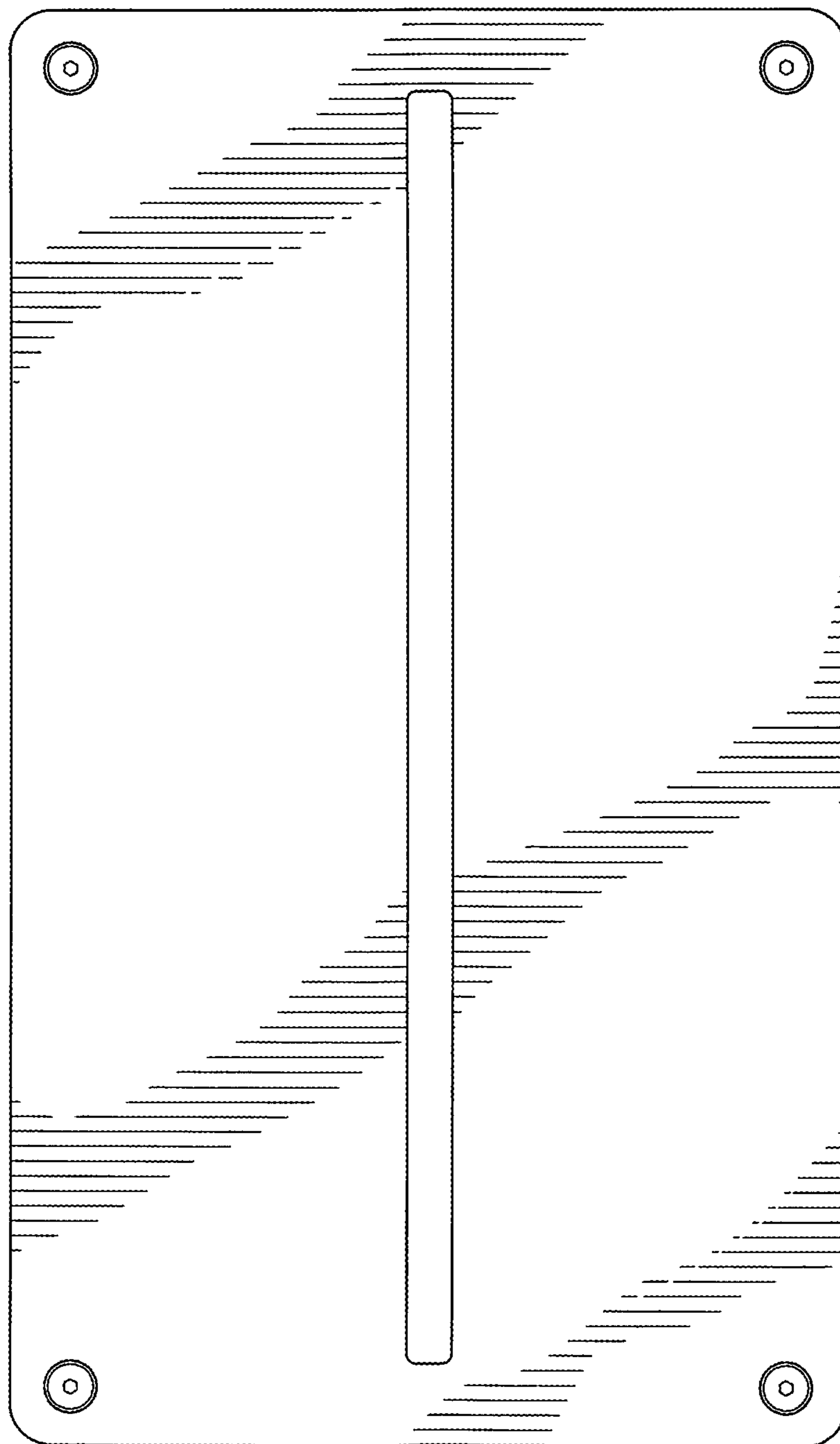


FIG. 4

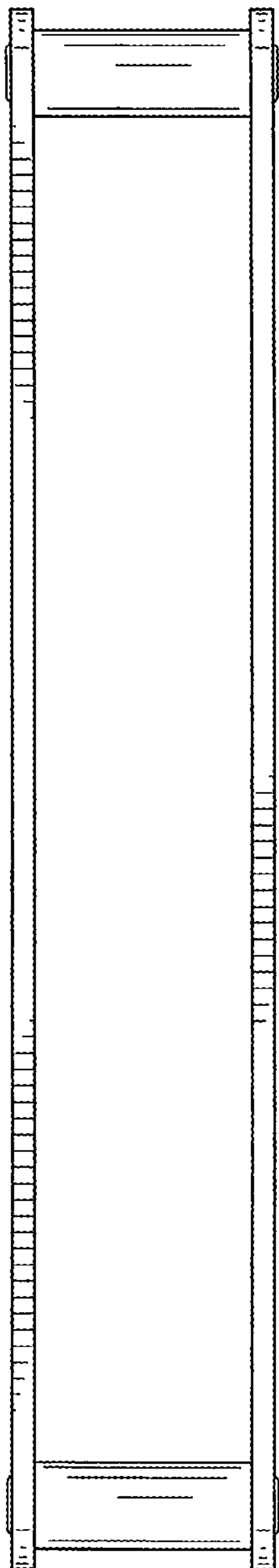


FIG. 5

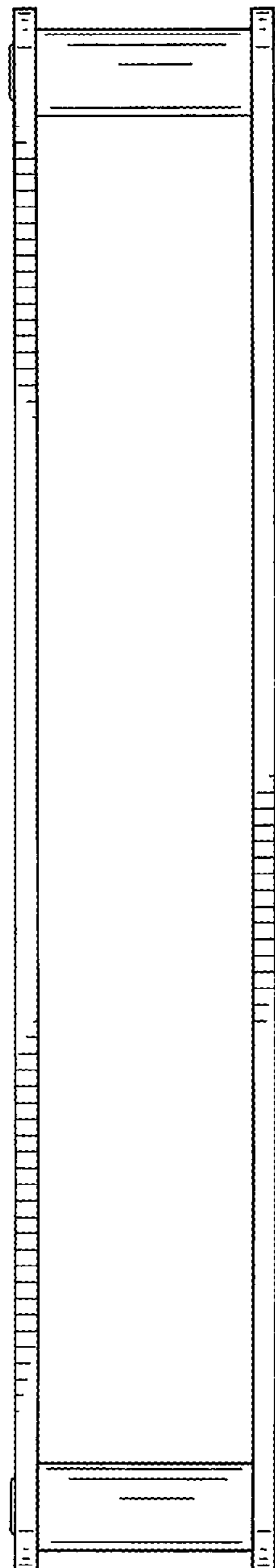


FIG. 6

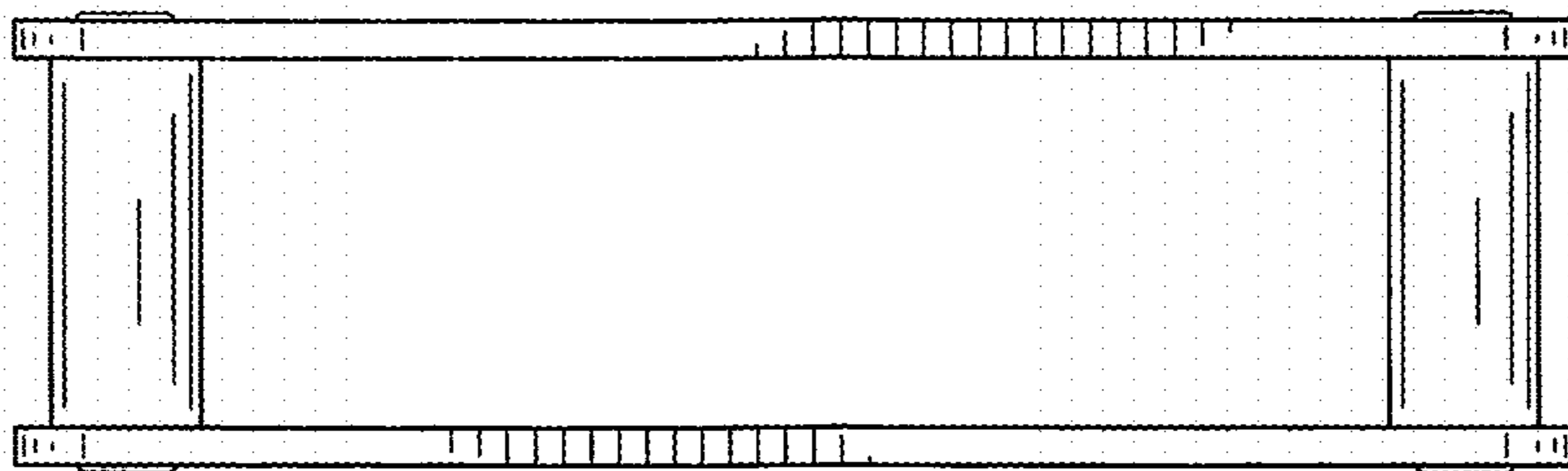


FIG. 7

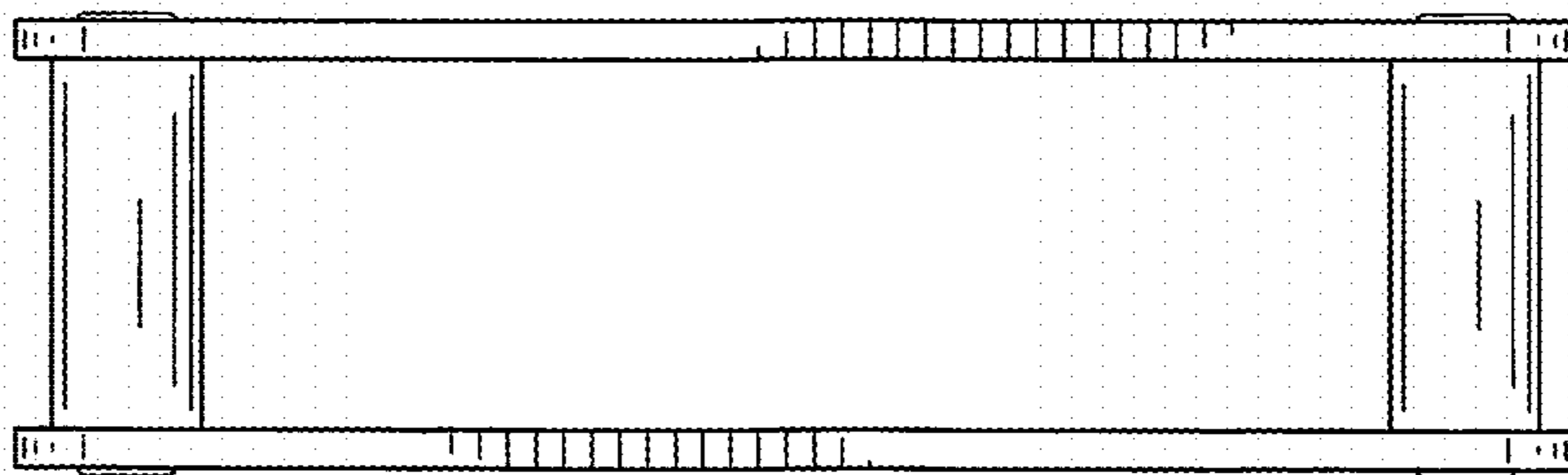


FIG. 8