

US00D761354S

(12) **United States Design Patent**
Ozawa et al.

(10) **Patent No.:** **US D761,354 S**
(45) **Date of Patent:** **** Jul. 12, 2016**

(54) **PORTABLE PRINTER**

(71) Applicant: **SATO HOLDINGS KABUSHIKI KAISHA**, Tokyo (JP)

(72) Inventors: **Taichi Ozawa**, Tokyo (JP); **Keita Kuramochi**, Tokyo (JP); **Tamotsu Katayama**, Tokyo (JP)

(73) Assignee: **SATO HOLDINGS KABUSHIKI KAISHA**, Tokyo (JP)

(**) Term: **14 Years**

(21) Appl. No.: **29/521,201**

(22) Filed: **Mar. 20, 2015**

(30) **Foreign Application Priority Data**

Sep. 29, 2014 (JP) 2014-021589

(51) **LOC (10) Cl.** **18-02**

(52) **U.S. Cl.**
USPC **D18/56**

(58) **Field of Classification Search**
USPC D18/56, 55, 50, 14, 19, 54, 36-37, 58;
D19/68; D14/314, 332, 348-349, 351,
D14/352
CPC B41J 3/4075; B41J 2/32; B41J 11/057;
B41J 15/042; B41J 3/36; B41J 29/023;
B65C 11/00; B65C 11/02; B65C 11/0205;
B65C 11/021; B65C 11/0215; B65C 11/0221;
B65C 11/0226; B65C 11/0231; B65C
11/0236; B65C 11/0242; B65C 11/0252;
B65C 11/0257; B65C 11/0268; B65C
11/0273; B65C 11/0284; B65C 11/0289;
B65C 11/0294; B65C 11/04; B65C 11/046;
B65C 11/06; B65C 11/062; B65C 11/064;
B65C 11/066; B65C 11/068

See application file for complete search history.

(56) **References Cited**

U.S. PATENT DOCUMENTS

D281,078 S * 10/1985 Koizumi D18/56
D327,702 S * 7/1992 Otsuki D18/58

(Continued)

FOREIGN PATENT DOCUMENTS

JP WO 2011013183 A1 * 2/2011 B41J 3/4075
JP WO 2015156310 A1 * 10/2015 B41J 2/32

(Continued)

Primary Examiner — Bridget L Eland

Assistant Examiner — Lauren McVey

(74) *Attorney, Agent, or Firm* — Andrew F. Young, Esq.;
Lackebach Siegel, LLP

(57) **CLAIM**

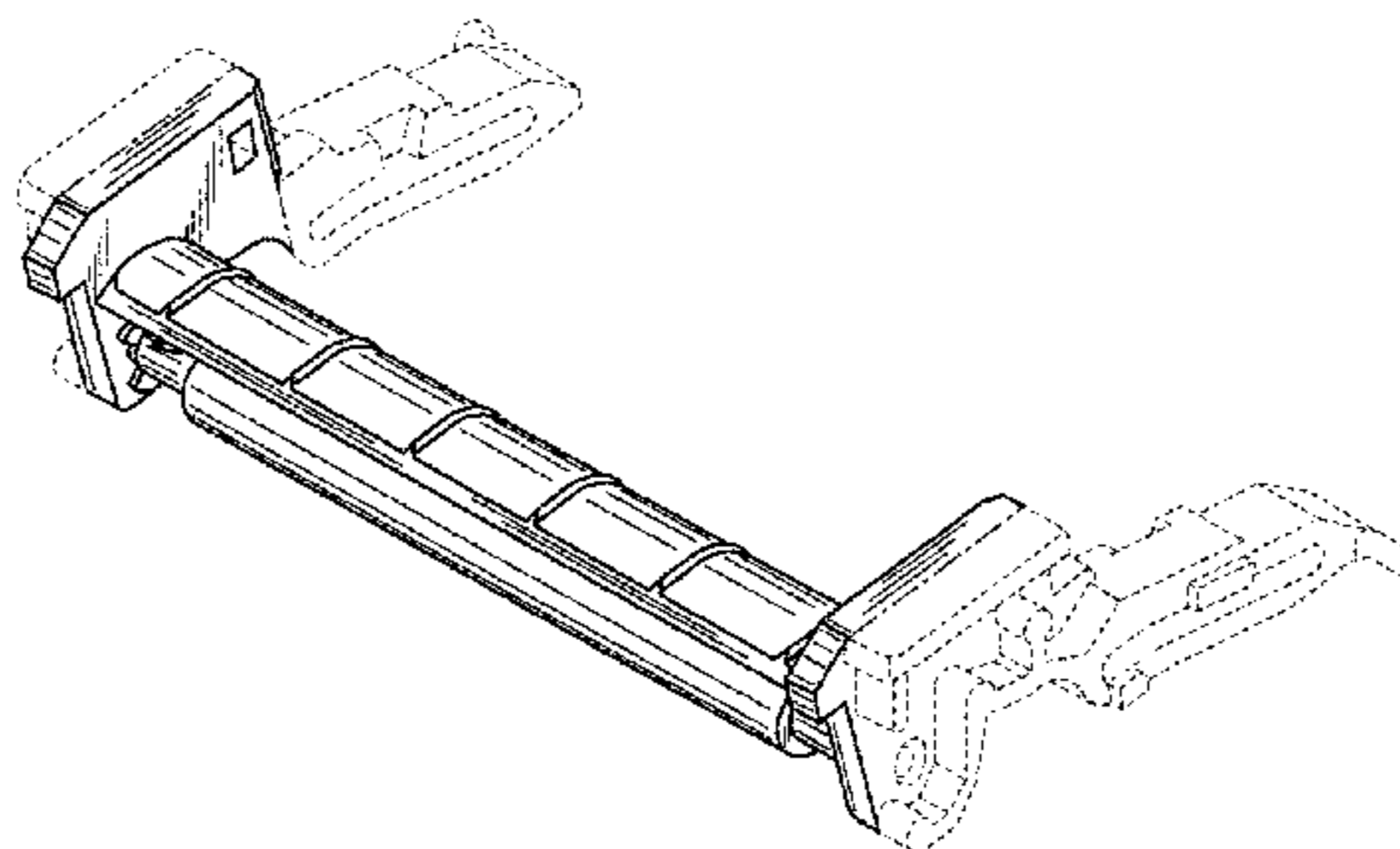
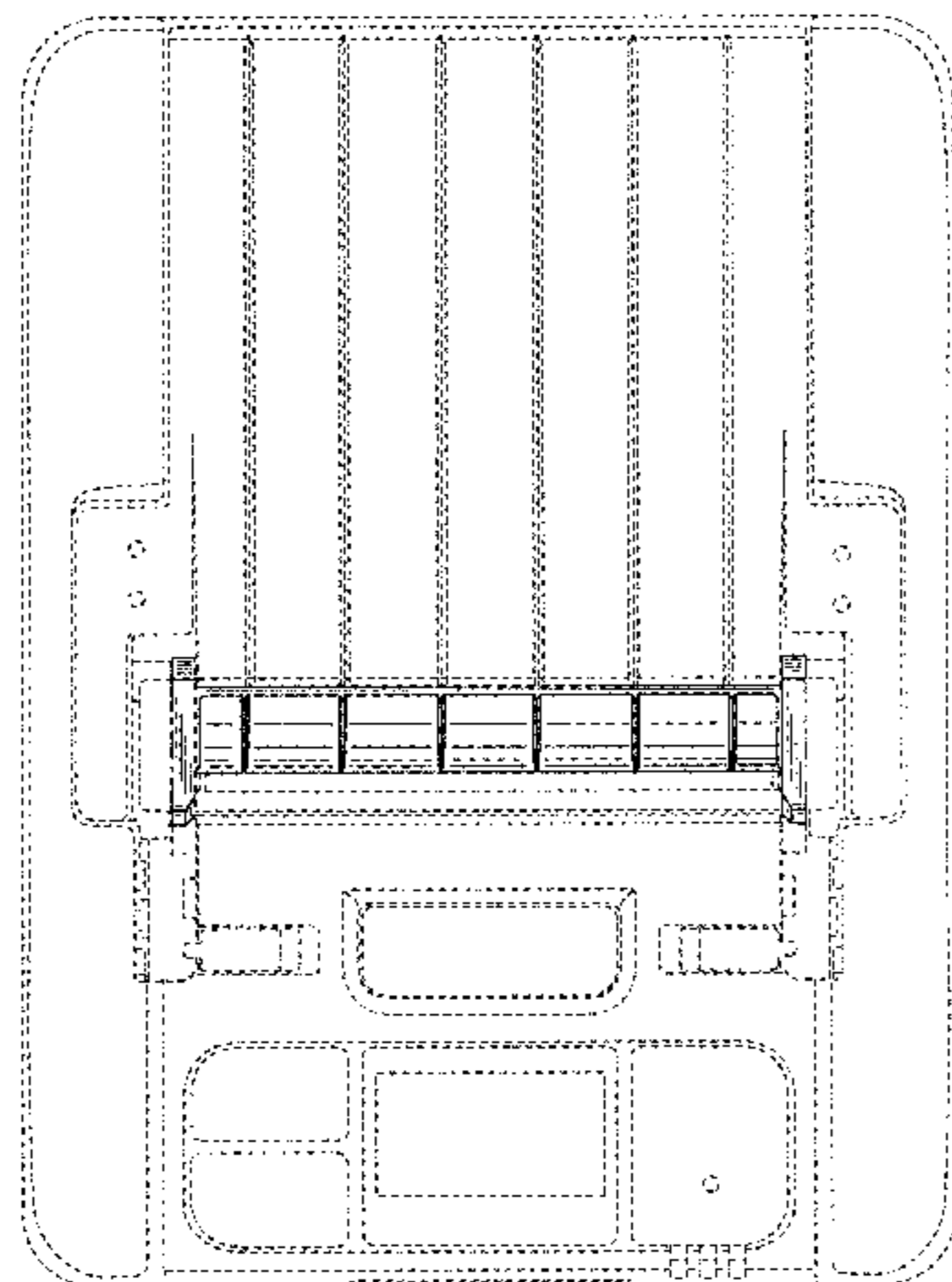
The ornamental design for a portable printer, as shown and described.

DESCRIPTION

FIG. 1 is a front perspective view of a portable printer showing our new design;
FIG. 2 is a rear perspective view thereof;
FIG. 3 is a front elevation view thereof;
FIG. 4 is a rear elevation view thereof;
FIG. 5 is a top plan view thereof;
FIG. 6 is a bottom plan view thereof;
FIG. 7 is a right side elevation view thereof;
FIG. 8 is a left side elevation view thereof;
FIG. 9 is an enlarged front perspective view of the portable printer shown in FIG. 1, showing the claim-separated from the portable printer in order to show aspects of the design that are not otherwise apparent;
FIG. 10 is an enlarged rear perspective view thereof;
FIG. 11 is an enlarged bottom perspective view thereof;
FIG. 12 is a cross section view taken at-line 12-12 in FIG. 9;
FIG. 13 is a cross section view taken at-line 13-13 in FIG. 9; and,
FIG. 14 is a top plan view of the portable printer, showing the claim in a stored state.

The dot dash broken lines immediately adjacent to the claim represent the bounds of the claimed design while all other broken lines are directed to environment and are for illustrative purposes only; the broken lines form no part of the claimed design.

1 Claim, 14 Drawing Sheets



(56)

References Cited

U.S. PATENT DOCUMENTS

D346,397 S * 4/1994 Iwasaki D18/58
5,421,259 A * 6/1995 Shiba B41F 22/00
101/216
D366,060 S * 1/1996 Theriault D18/56
D450,344 S * 11/2001 Ito D18/40
6,530,705 B1 * 3/2003 Petteruti B41J 3/4075
156/387
8,663,748 B2 * 3/2014 Akama G03G 15/0233
347/101
2009/0179927 A1 * 7/2009 Hibbard B41J 2/16585
347/8

2011/0211034 A1* 9/2011 Katayama B41H 3/4075
347/220
2011/0220291 A1* 9/2011 Roth B41J 3/4075
156/387
2012/0132370 A1* 5/2012 Chen B65C 11/0289
156/378
2014/0251549 A1* 9/2014 Ho B41J 29/00
156/759

FOREIGN PATENT DOCUMENTS

JP WO 2015166773 A1 * 11/2015 B41J 3/36
JP WO 2015170543 A1 * 11/2015 B41J 3/36
WO WO 9531378 A1 * 11/1995 B65C 9/1803

* cited by examiner

FIG. 1

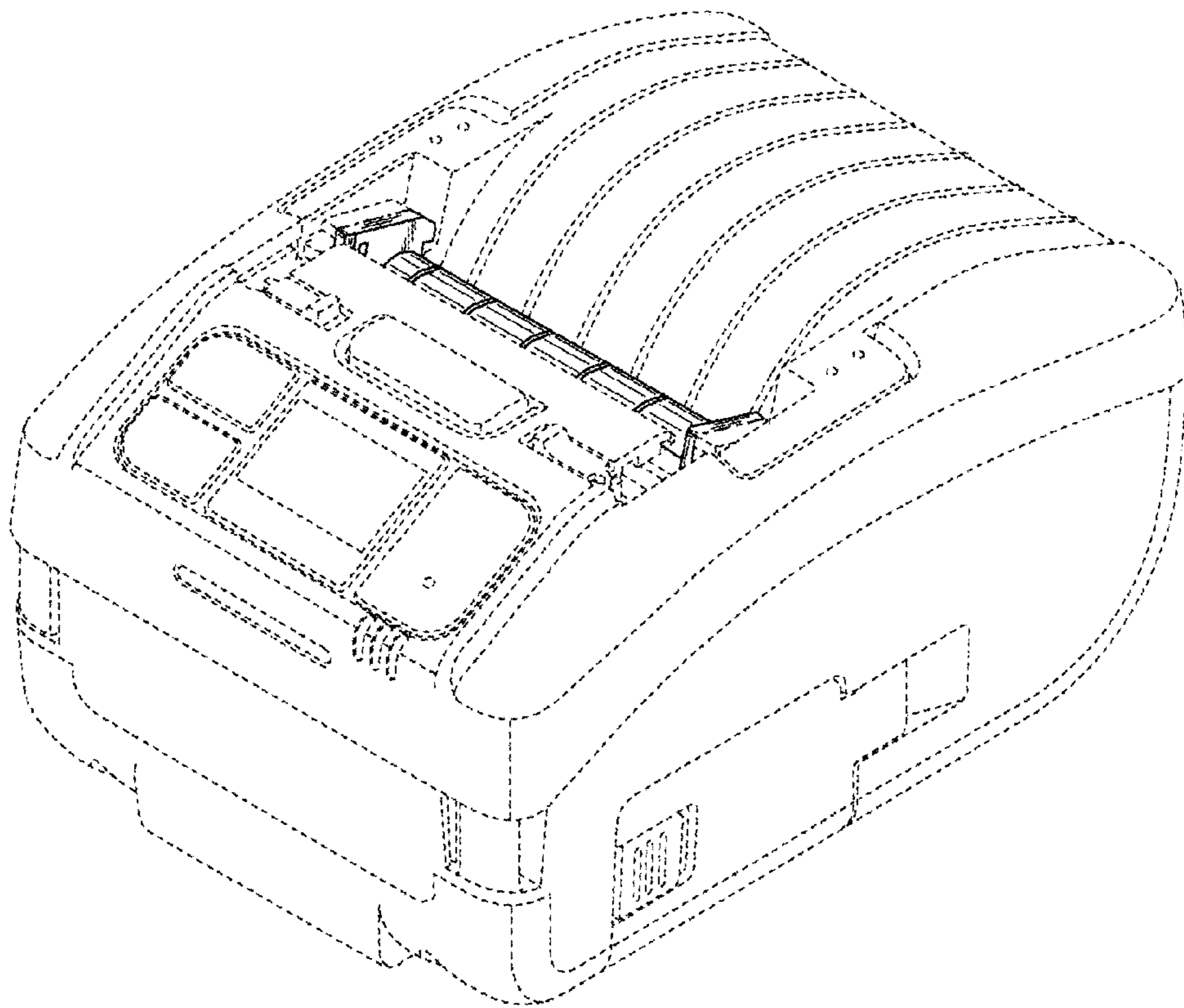


FIG. 2

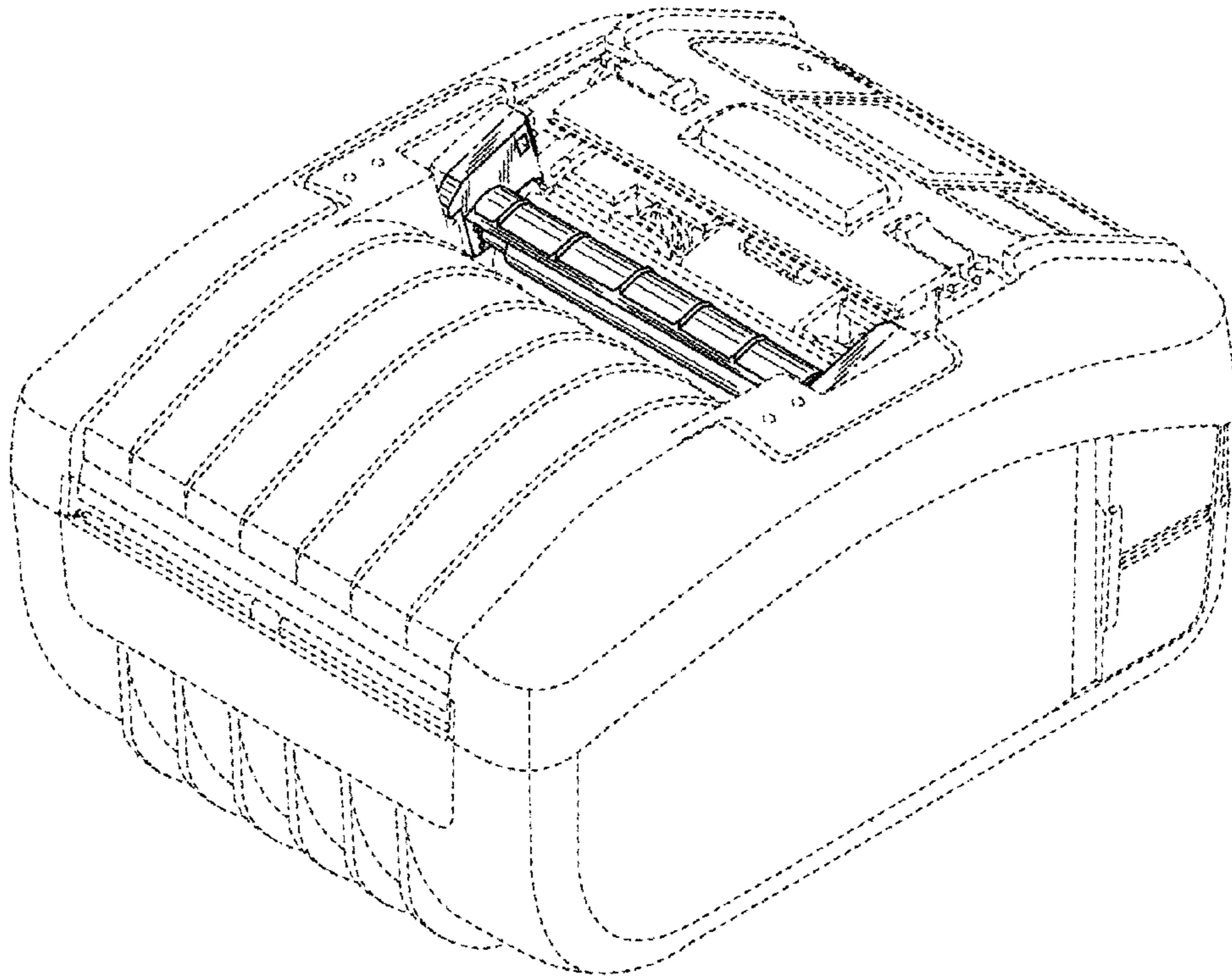


FIG. 3

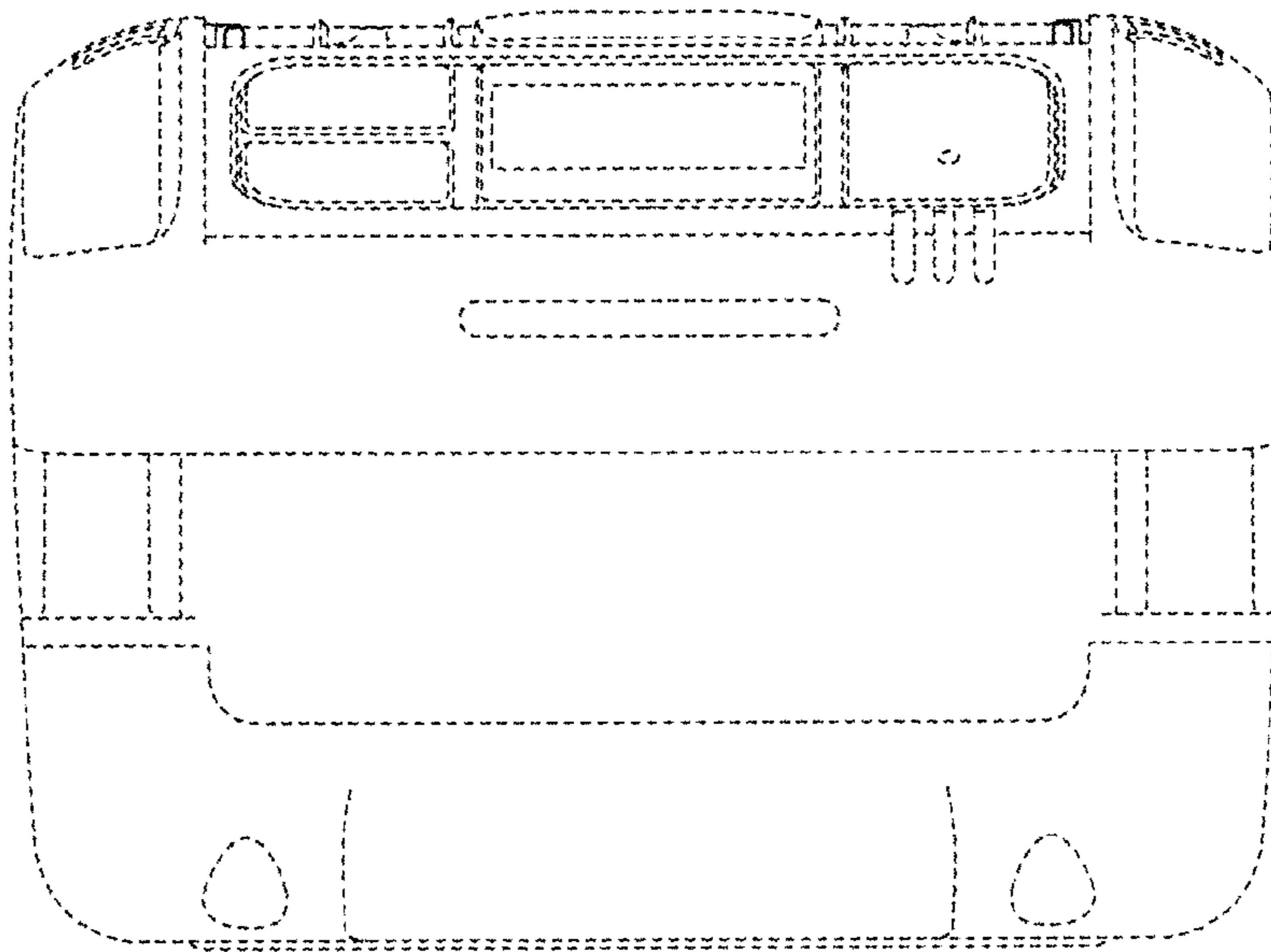


FIG. 4

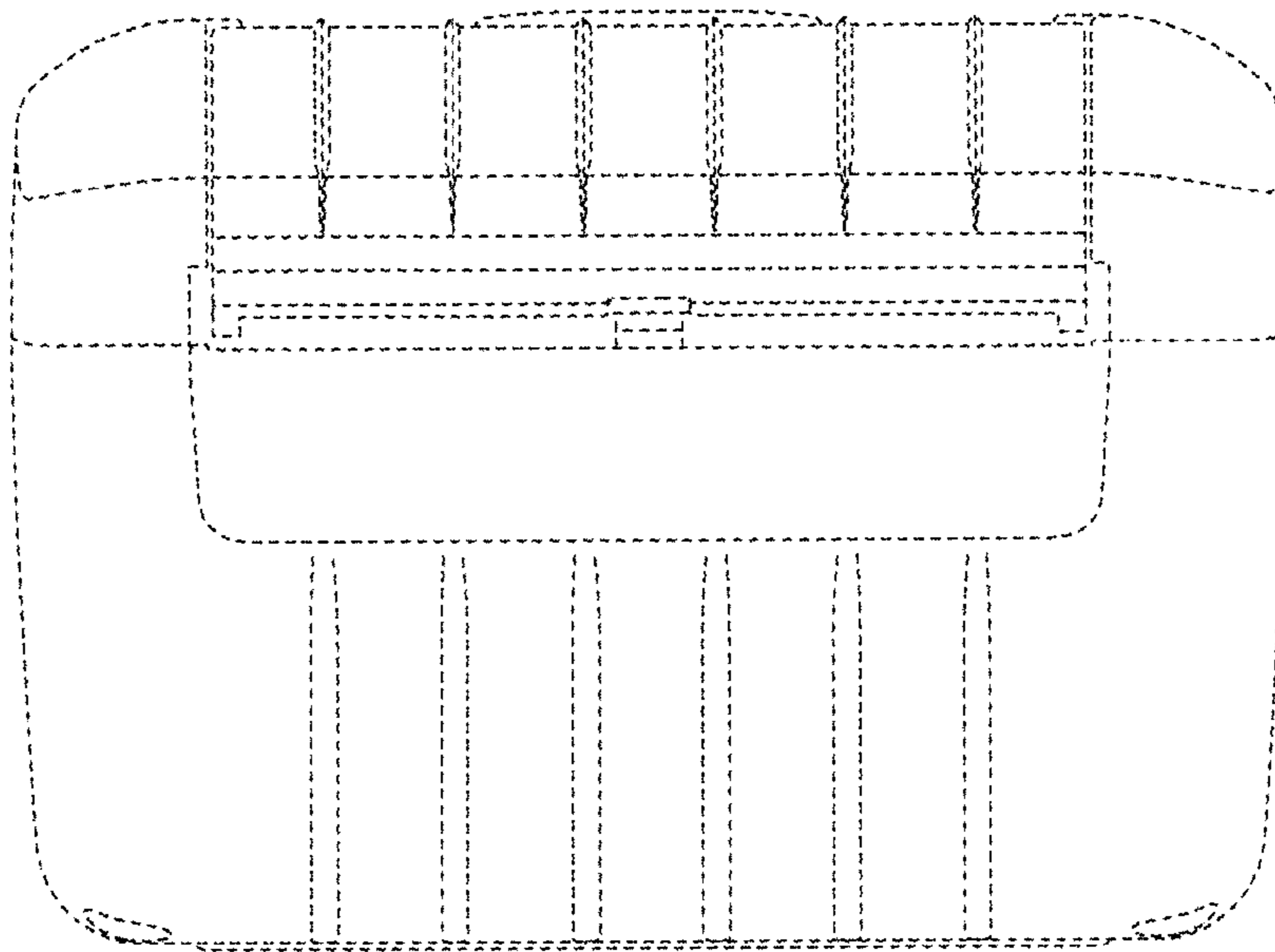


FIG. 5

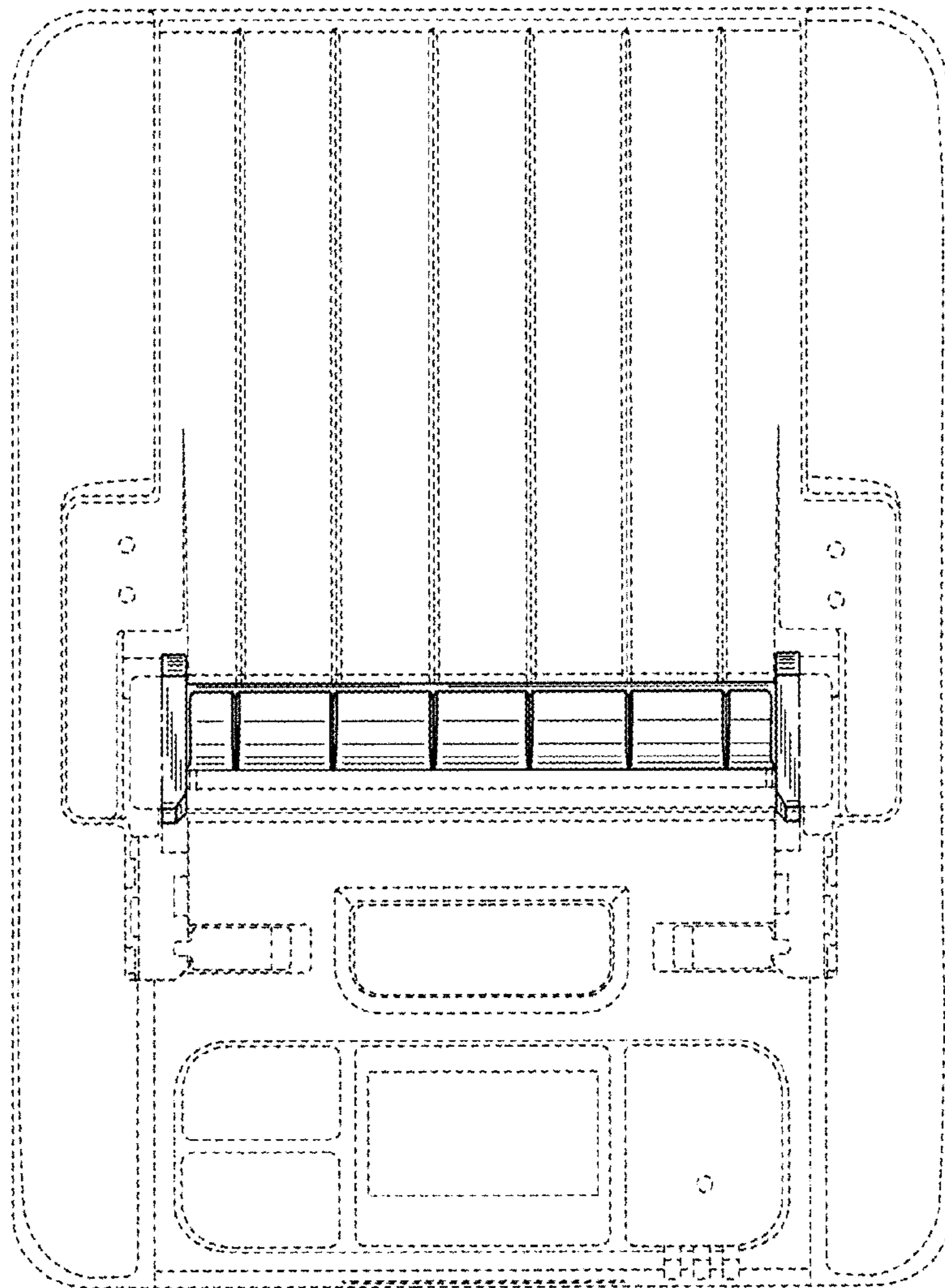


FIG. 6

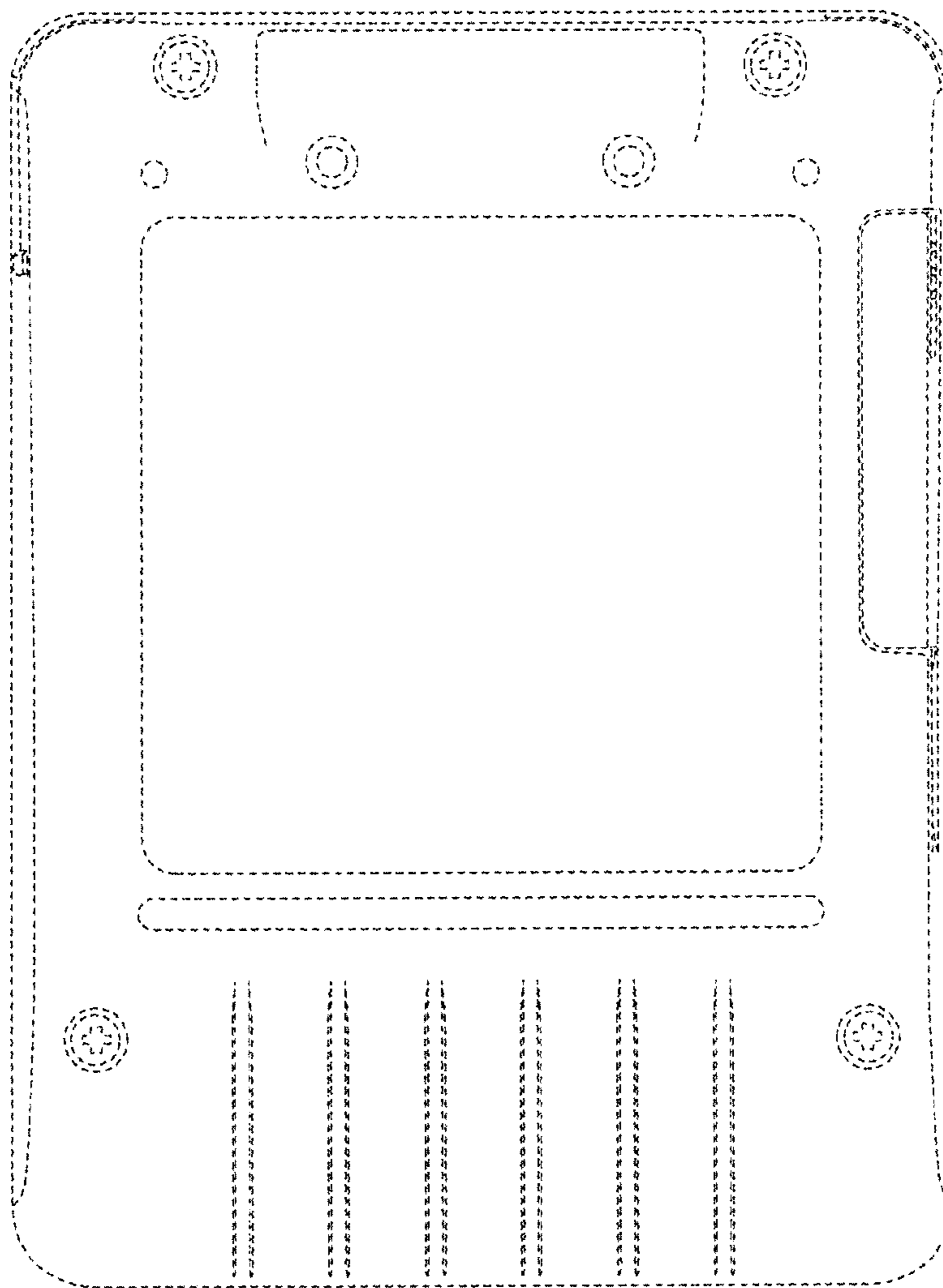


FIG. 7

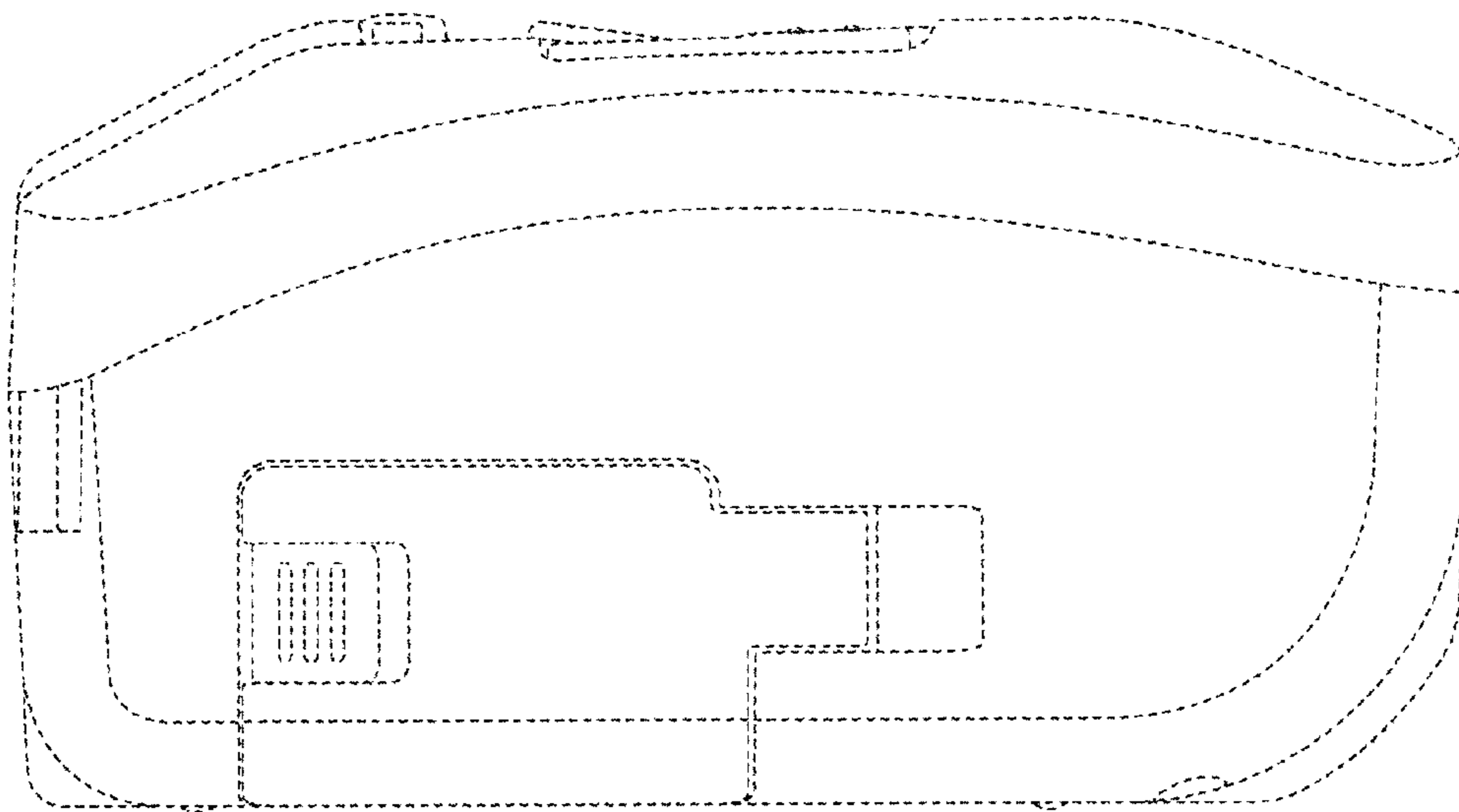


FIG. 8

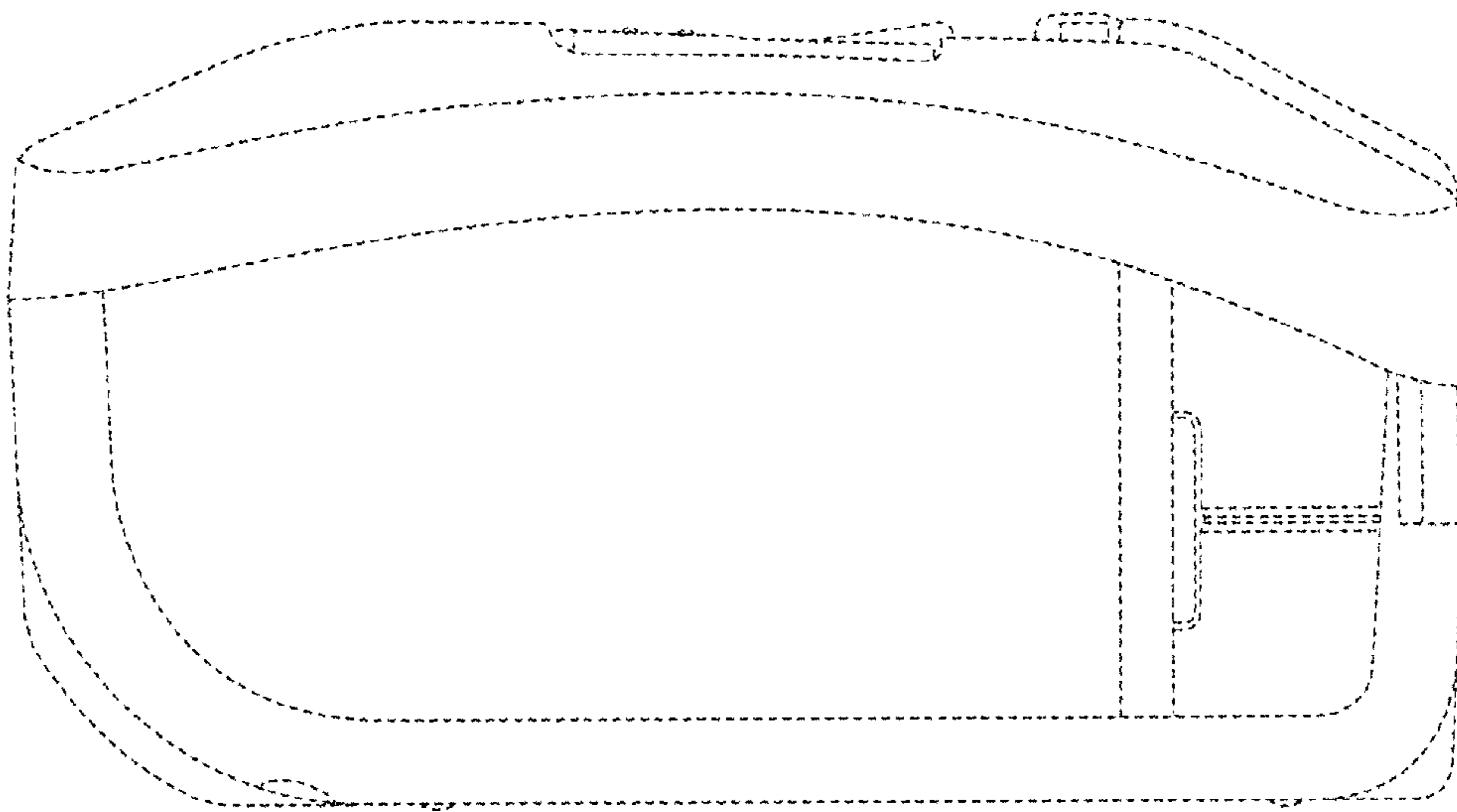


FIG. 9

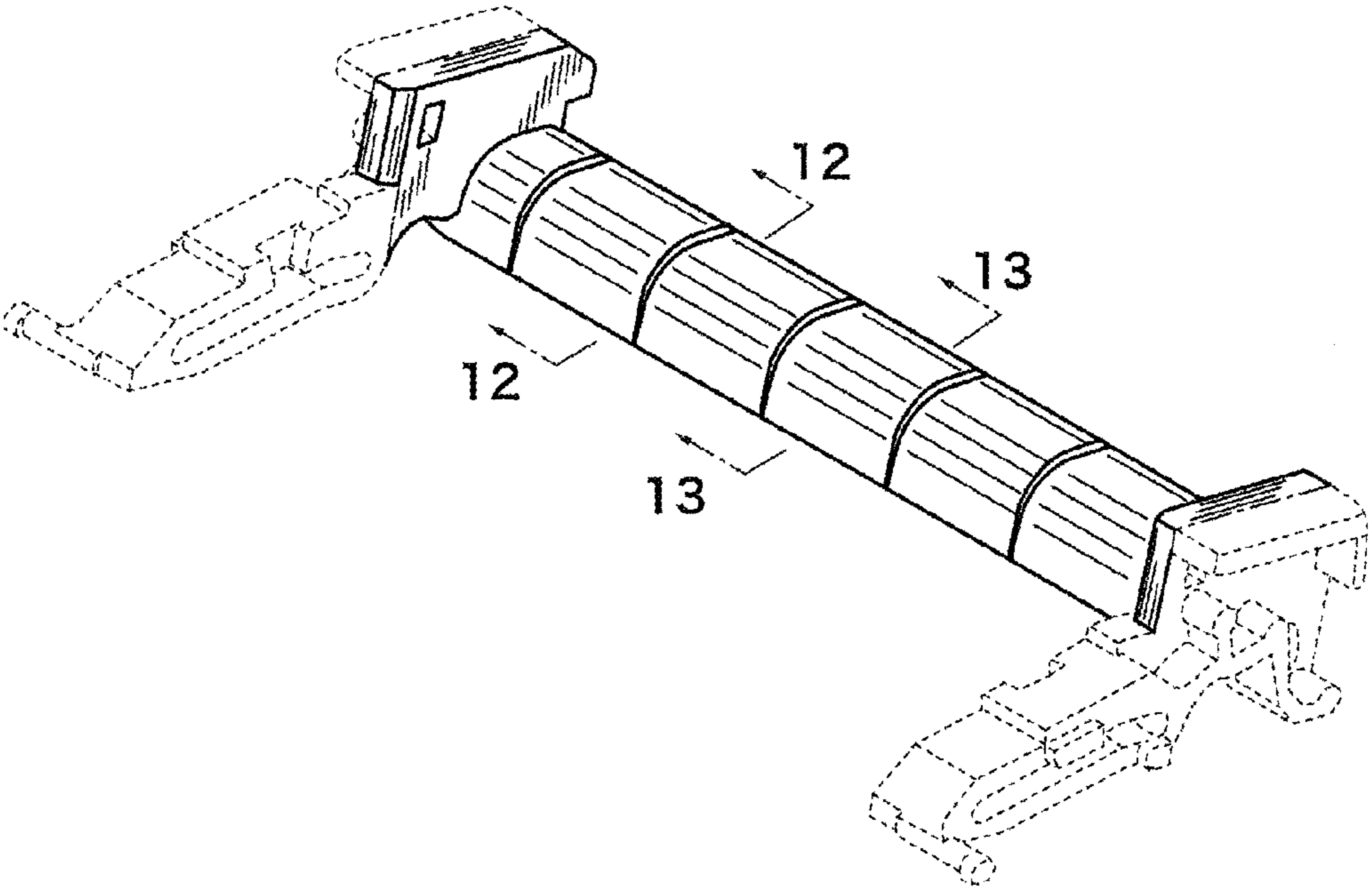


FIG. 10

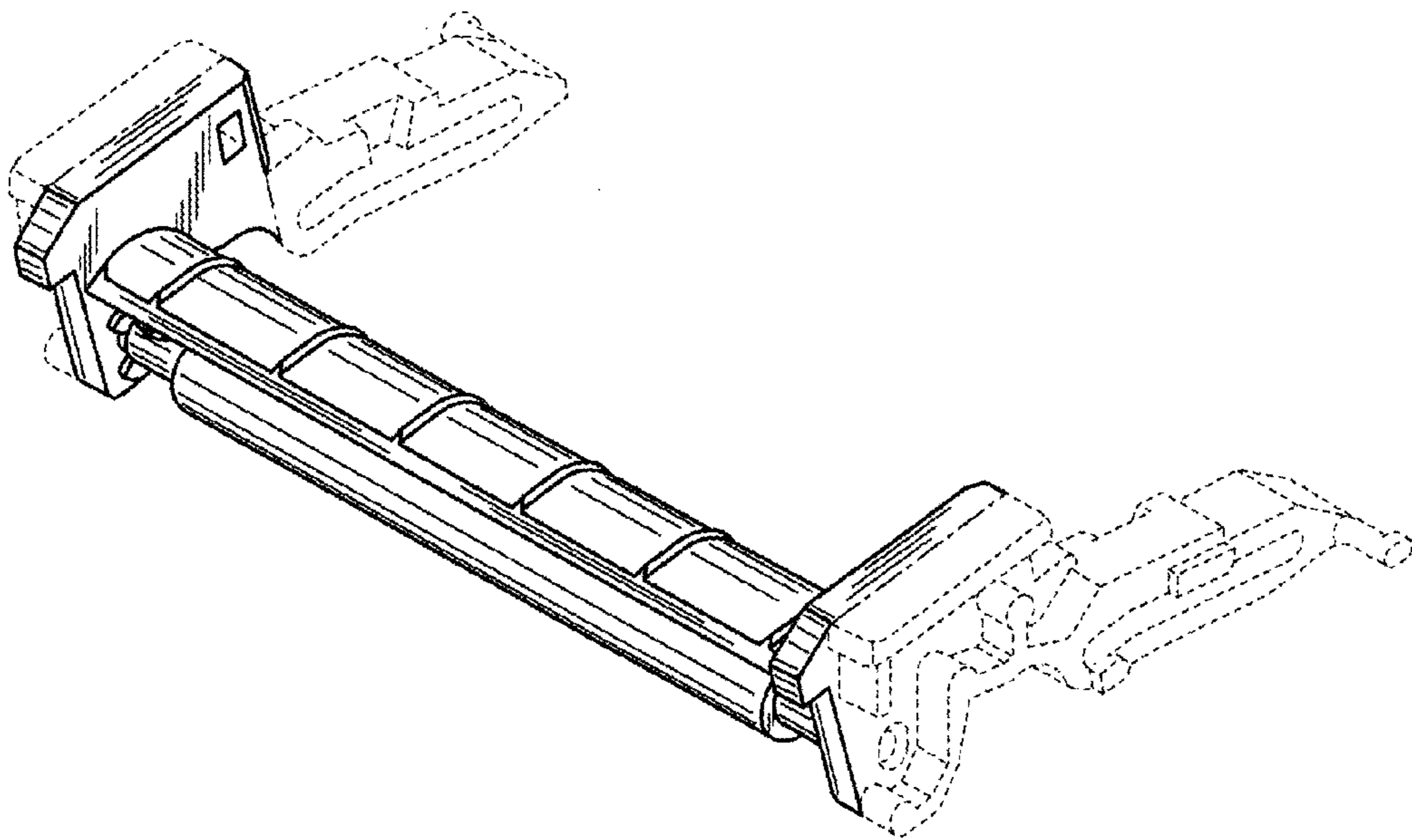


FIG. 11

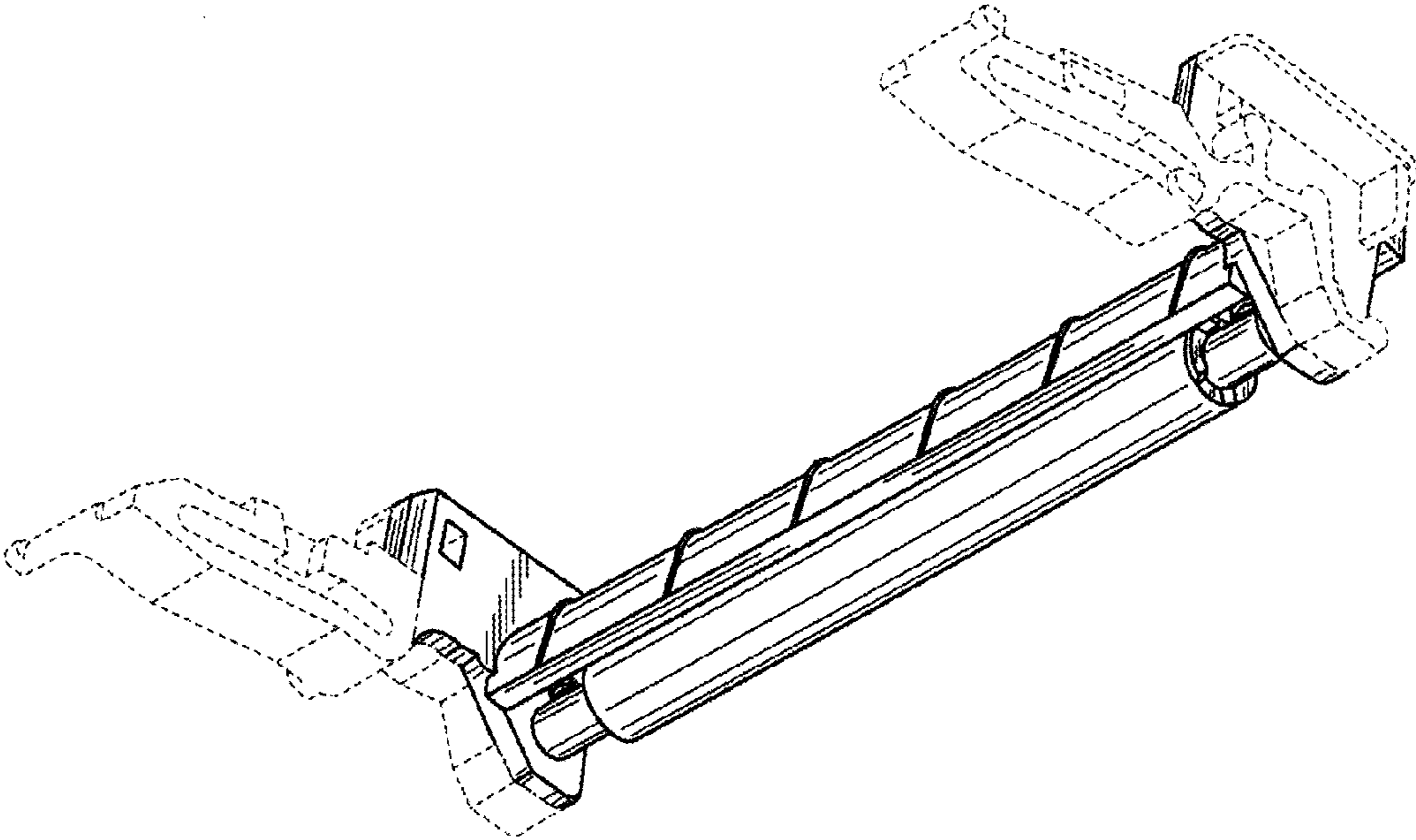


FIG. 12

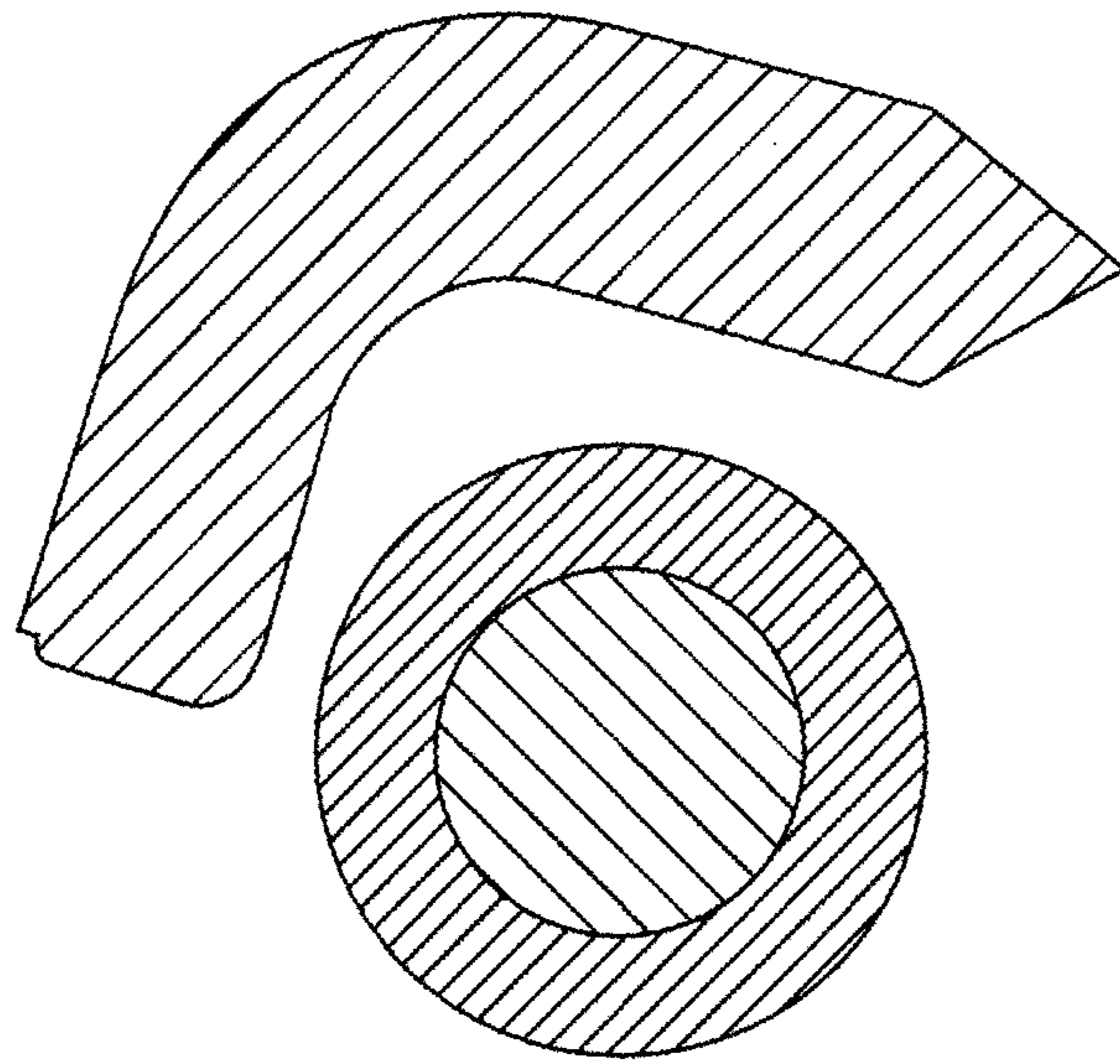


FIG. 13

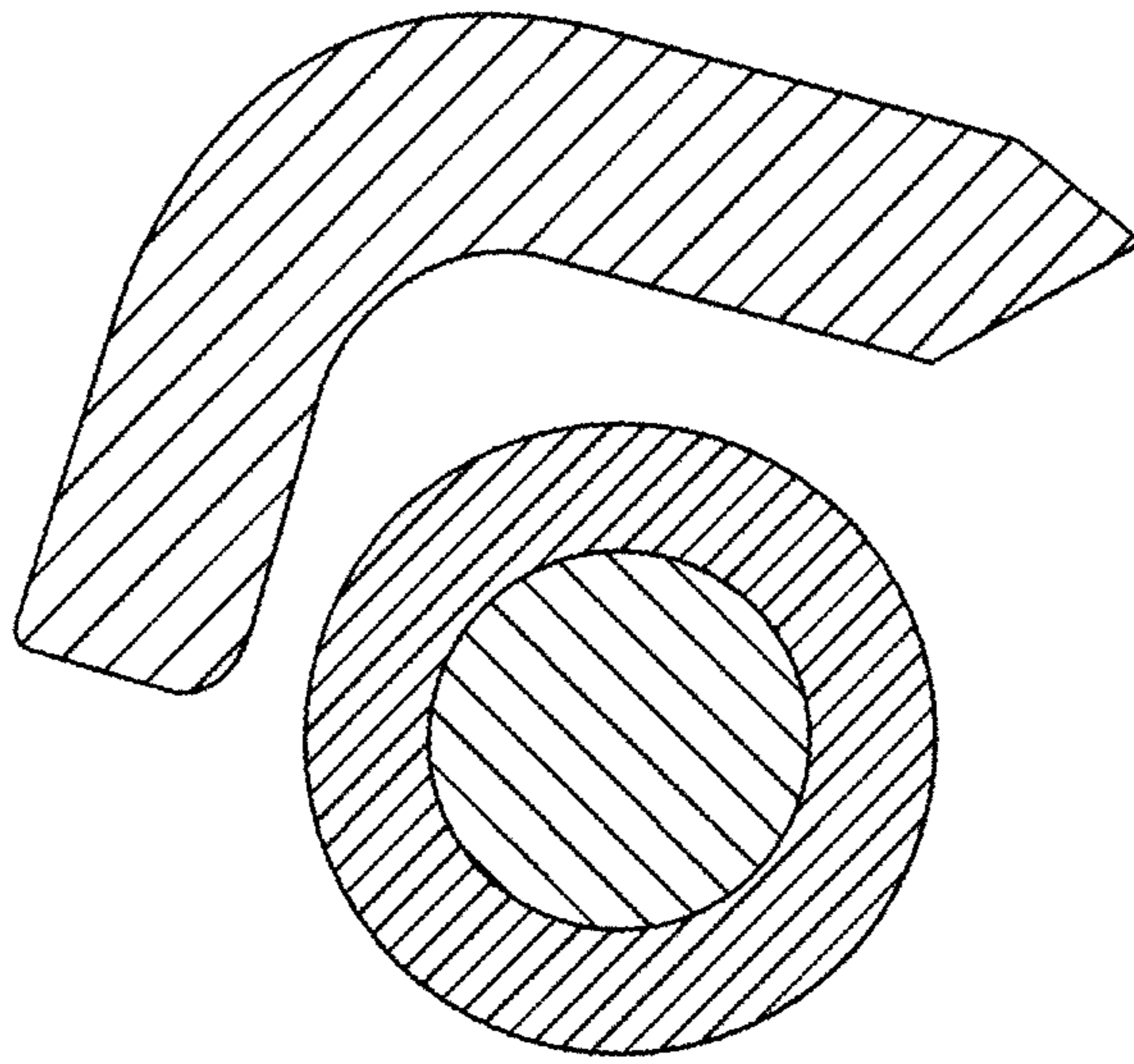


FIG. 14

