



US00D761353S

(12) **United States Design Patent**
Oya et al.

(10) **Patent No.:** **US D761,353 S**
(45) **Date of Patent:** **** Jul. 12, 2016**

(54) **INK CARTRIDGE**

(71) Applicant: **SEIKO EPSON CORPORATION,**
Tokyo (JP)

(72) Inventors: **Shun Oya,** Matsumoto (JP); **Atsushi Kobayashi,** Matsumoto (JP); **Tadahiro Mizutani,** Shiojiri (JP)

(73) Assignee: **SEIKO EPSON CORPORATION,**
Tokyo (JP)

(**) Term: **14 Years**

(21) Appl. No.: **29/507,665**

(22) Filed: **Oct. 30, 2014**

(30) **Foreign Application Priority Data**

Jun. 11, 2014 (JP) 2014-012626

(51) **LOC (10) Cl.** **18-02**

(52) **U.S. Cl.**
USPC **D18/56**

(58) **Field of Classification Search**
USPC D18/12, 18, 34.9, 40, 43, 50, 56, 59,
D18/99; D14/471, 483
CPC B41J 2/17; B41J 2/1721; B41J 2/175;
B41J 2/17503; B41J 2/17513; B41J 2/1752;
B41J 2/17523; B41J 2/17553; B41J 2/17556;
B41J 2/185; B41J 29/377

See application file for complete search history.

(56) **References Cited**

U.S. PATENT DOCUMENTS

D381,039 S * 7/1997 Shinada 347/86
D438,896 S * 3/2001 Shinada 347/86

D443,893 S * 6/2001 Gonzales 347/86
D454,908 S * 3/2002 Seino D18/56
D455,780 S * 4/2002 Seino 347/86
6,971,732 B1 * 12/2005 Seshimo B41J 2/17513
347/19
D650,418 S * 12/2011 Butler D18/56
D650,419 S * 12/2011 Butler D18/56
D692,947 S * 11/2013 Nozawa D18/56
D696,718 S * 12/2013 Murakami D18/56
D696,720 S * 12/2013 Hayashi D18/56
2015/0165773 A1 * 6/2015 Shiota B41J 2/1752
347/85
2016/0016412 A1 * 1/2016 Mizutani B41J 2/17553
347/86

* cited by examiner

Primary Examiner — Thomas Johannes
Assistant Examiner — Shawn T Gingrich

(57) **CLAIM**

The ornamental design for an ink cartridge, as shown and described.

DESCRIPTION

FIG. 1 is a front, bottom and right side perspective view of an ink cartridge showing our new design;
FIG. 2 is a rear, top and left side perspective view thereof;
FIG. 3 is a front view thereof;
FIG. 4 is a rear view thereof;
FIG. 5 is a top plan view thereof;
FIG. 6 is a bottom plan view thereof;
FIG. 7 is a right side view thereof; and,
FIG. 8 is a left side view thereof.

The features shown in broken lines in the drawings depict portions of the article that form no part of the claimed design.

1 Claim, 4 Drawing Sheets

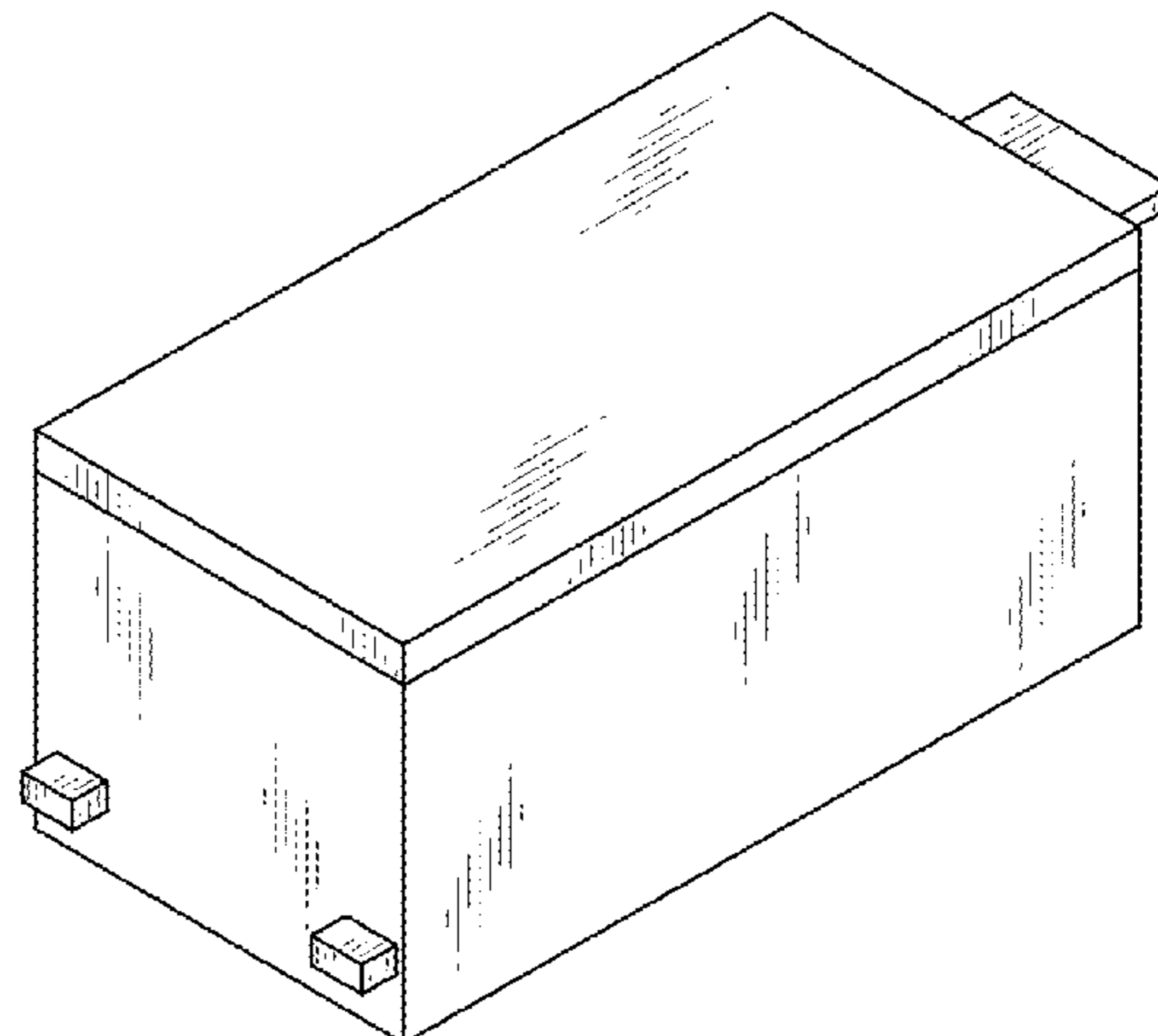
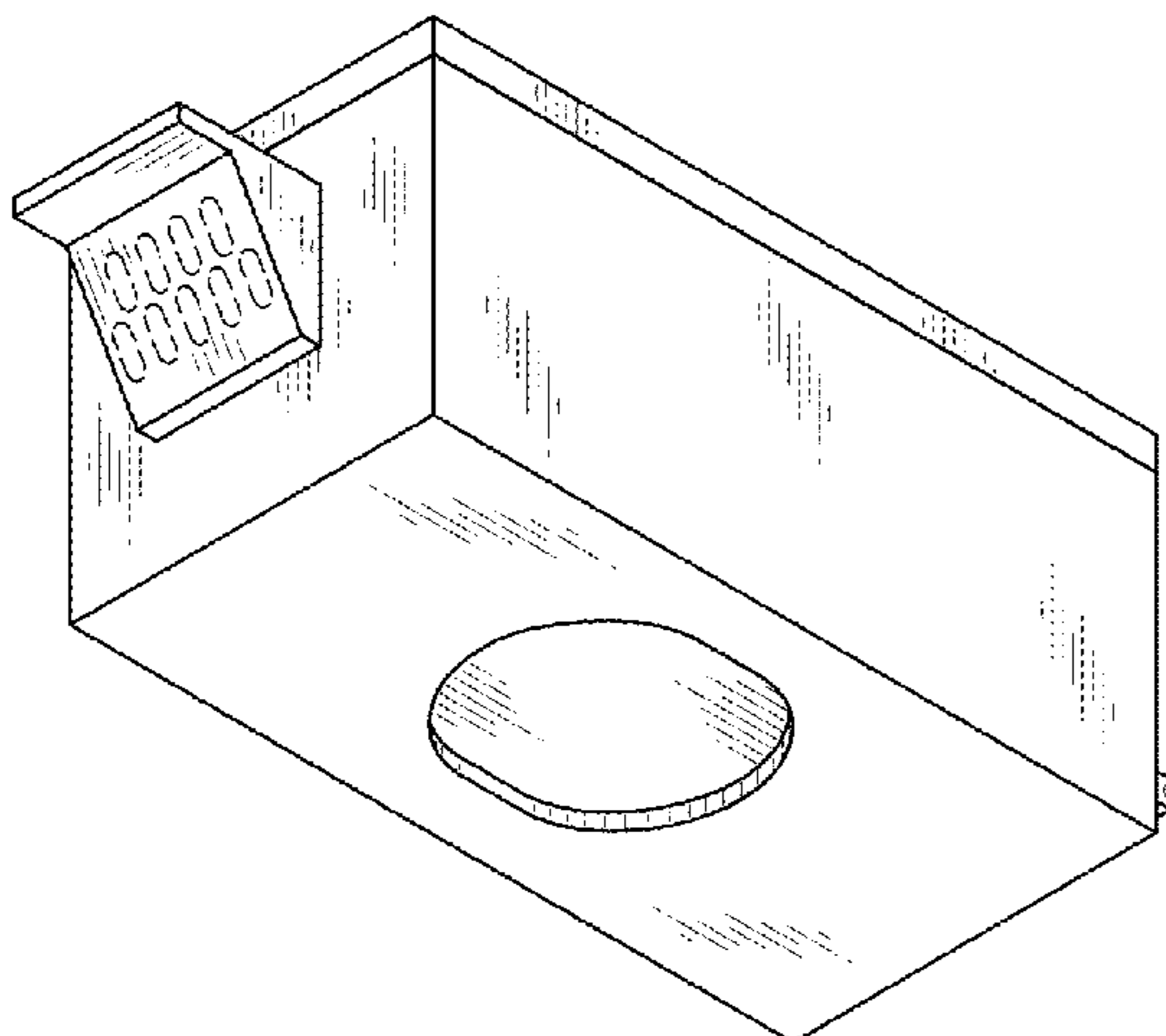


Fig.1

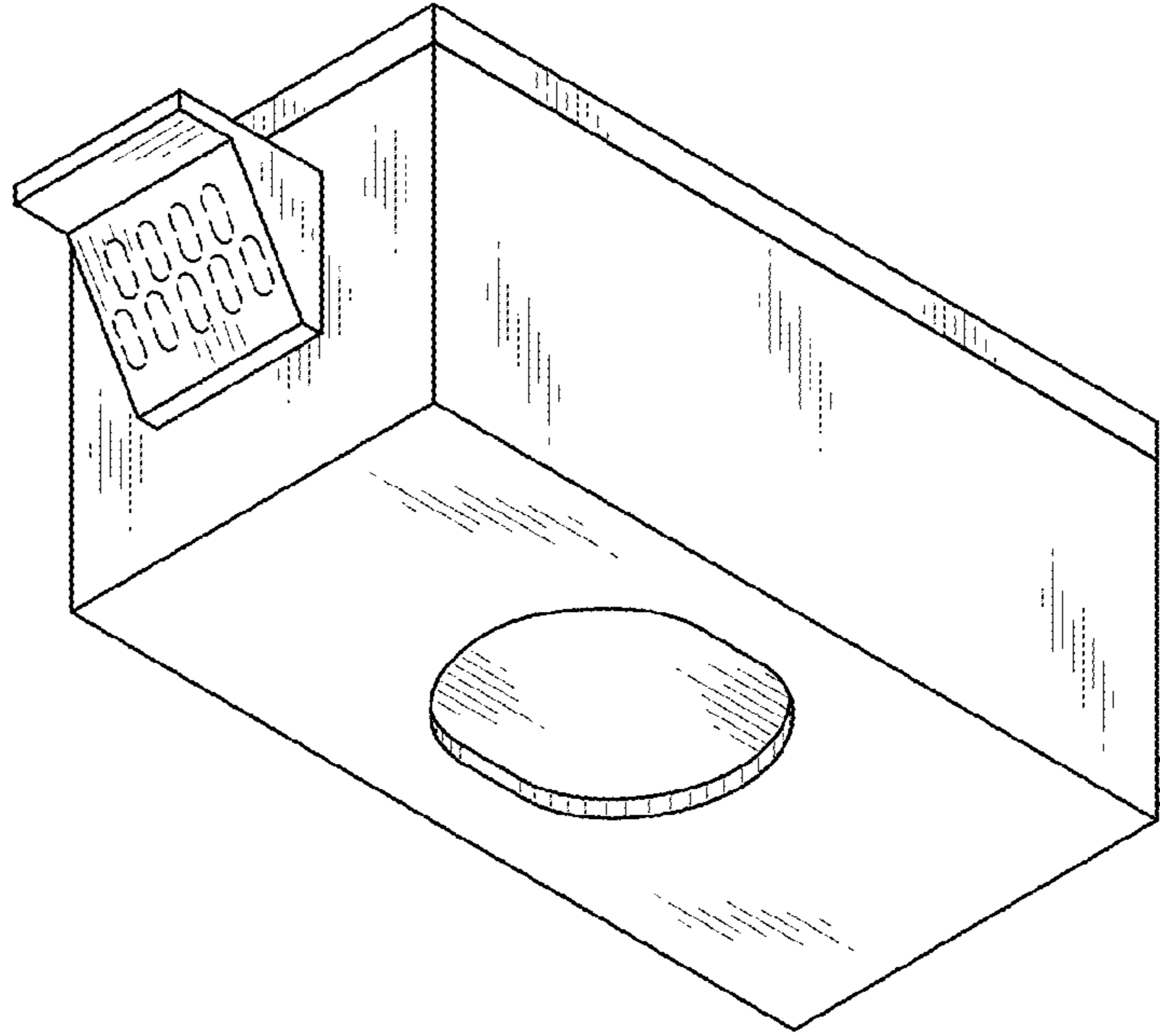


Fig.2

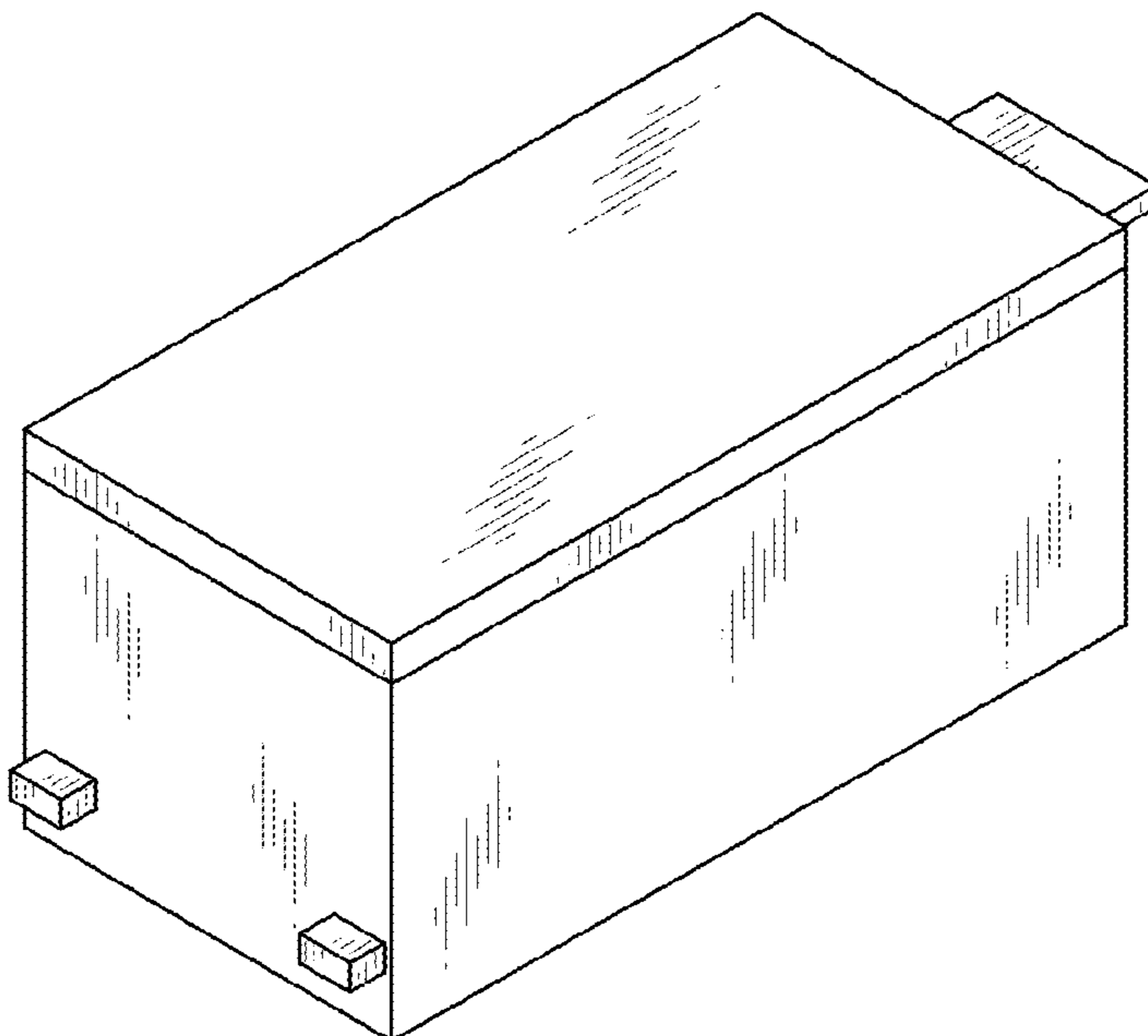


Fig.3

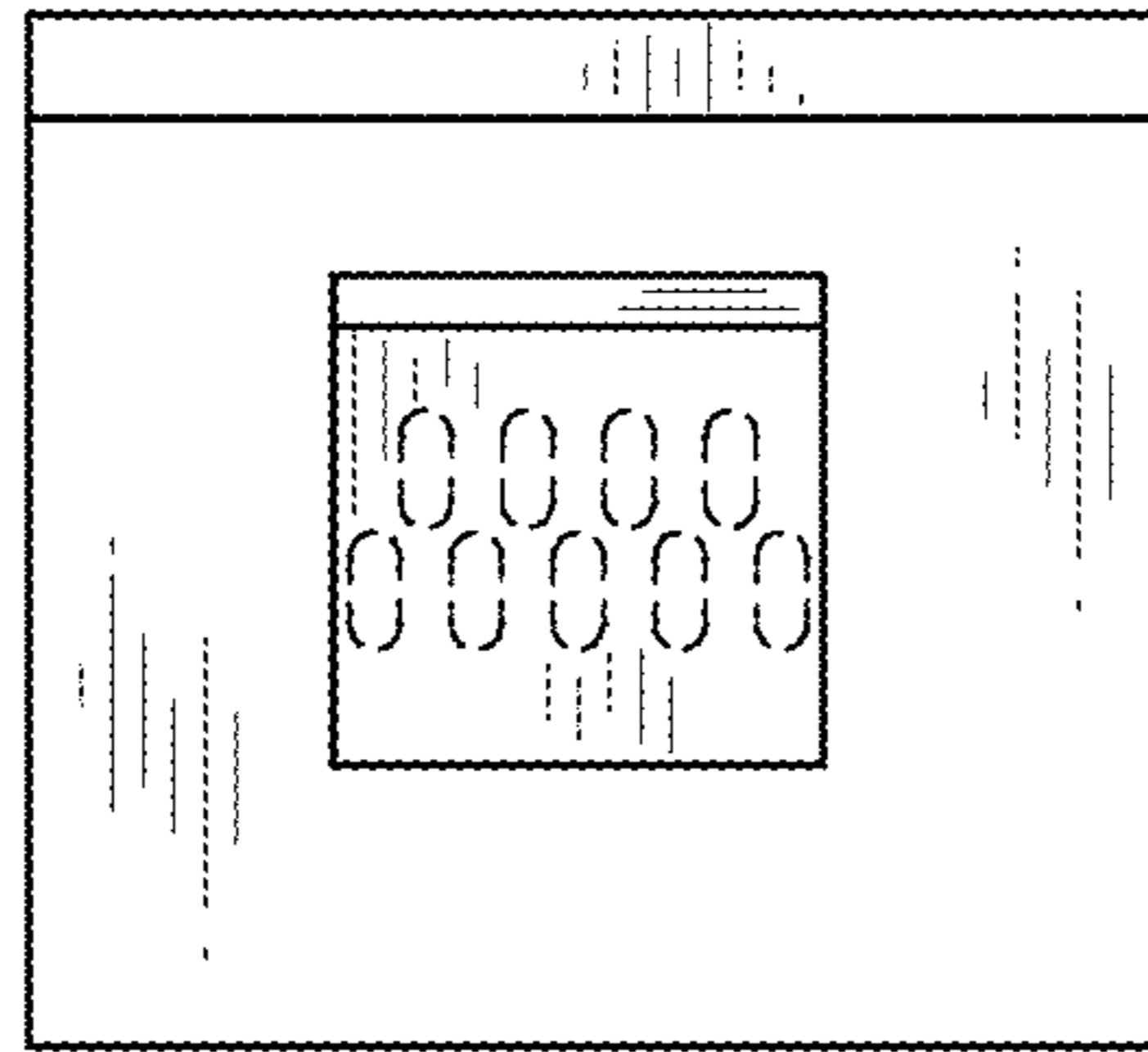


Fig.4

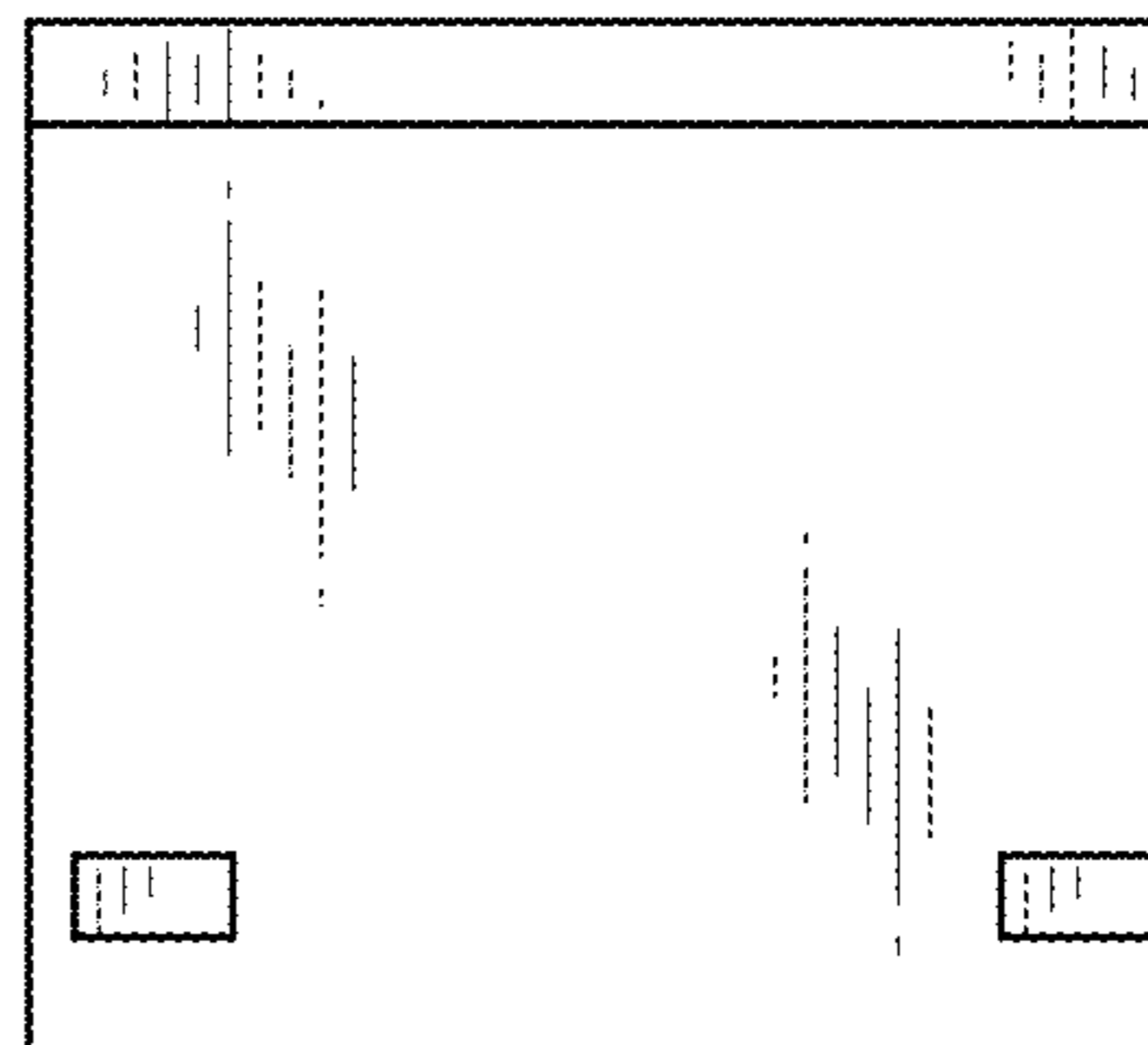


Fig.5

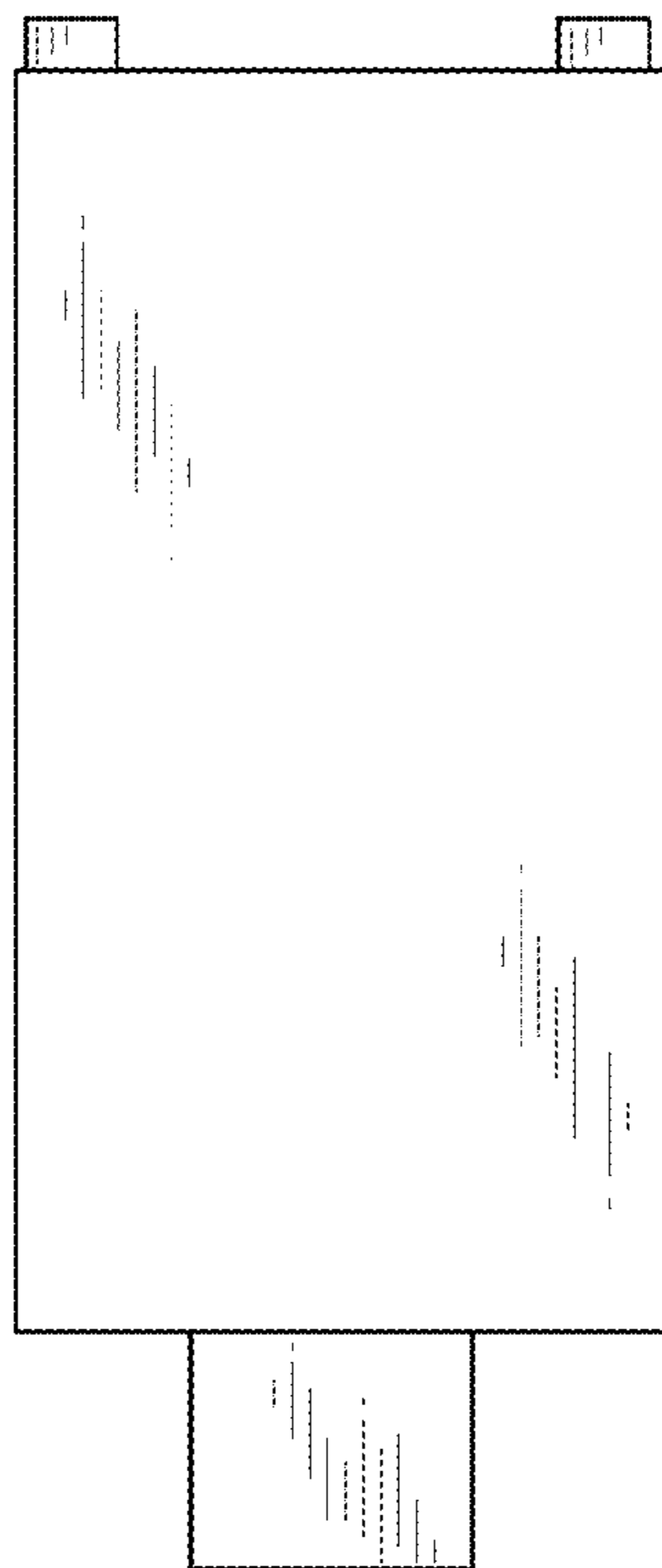


Fig.6

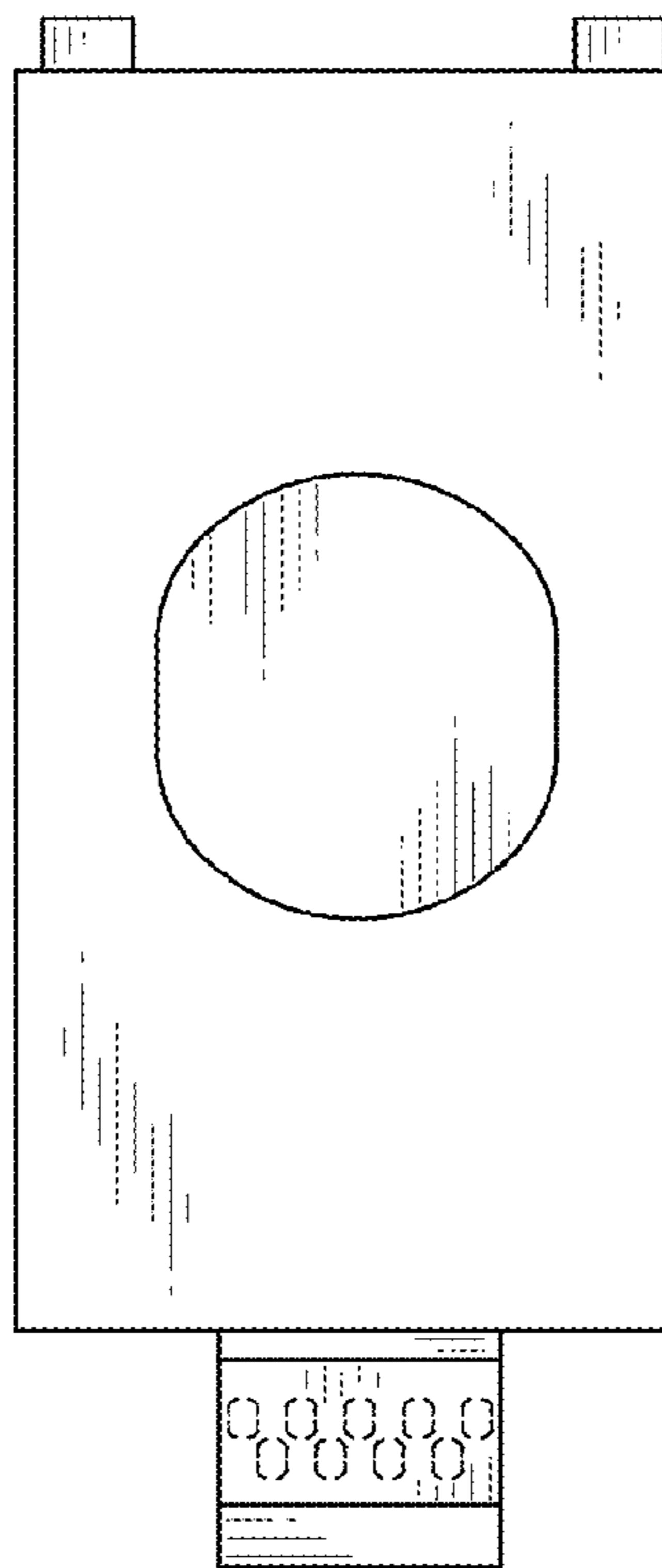


Fig.7

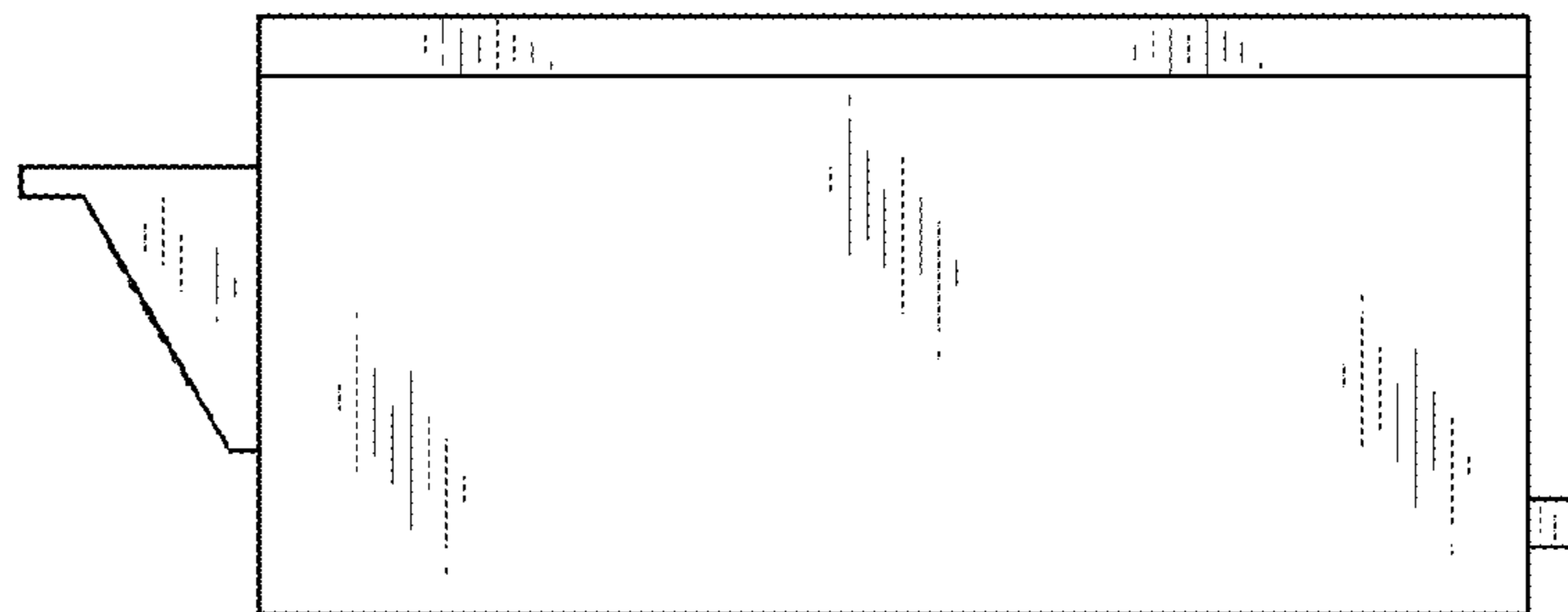


Fig.8

