

US00D761352S

(12) **United States Design Patent**
Tanaka et al.

(10) **Patent No.:** **US D761,352 S**
(45) **Date of Patent:** **** Jul. 12, 2016**

(54) **INK CASE FOR PRINTER**

(71) Applicant: **SEIKO EPSON CORPORATION,**
Tokyo (JP)

(72) Inventors: **Yoshiyuki Tanaka,** Matsumoto (JP);
Satoshi Iwaya, Ina (JP); **Masaki Shimomura,** Matsumoto (JP); **Atsushi Takei,** Chino (JP); **Tokujiro Okuno,** Kitakyushu (JP)

(73) Assignee: **SEIKO EPSON CORPORATION,**
Tokyo (JP)

(**) Term: **14 Years**

(21) Appl. No.: **29/489,233**

(22) Filed: **Apr. 29, 2014**

(30) **Foreign Application Priority Data**

Oct. 31, 2013 (JP) 2013-025450

(51) **LOC (10) Cl.** **18-02**

(52) **U.S. Cl.**
USPC **D18/56**

(58) **Field of Classification Search**
USPC D18/12, 14, 19, 36-40, 43-44, 46-50,
D18/53-54, 54.1, 55-56; 347/84-87;
360/132; 400/613
CPC B41J 2/175
See application file for complete search history.

(56) **References Cited**

U.S. PATENT DOCUMENTS

D316,725 S * 5/1991 Aoyama et al. D18/40
D330,213 S * 10/1992 Hiroki et al. D18/36
D338,031 S * 8/1993 Katada et al. D18/36
D354,304 S * 1/1995 Ishibashi et al. D18/36
D363,304 S * 10/1995 Kondo et al. D18/39
D391,985 S * 3/1998 Komatsu D18/49
D408,847 S * 4/1999 Yugaya D18/49

D413,352 S * 8/1999 Bishop et al. D18/55
D435,063 S * 12/2000 Gerstein et al. D18/56
D439,273 S * 3/2001 Sato et al. D18/54.1
D462,086 S * 8/2002 Falk et al. D18/55
D475,401 S * 6/2003 Hwang et al. D18/55
D522,045 S * 5/2006 Lee et al. D18/55
D523,074 S * 6/2006 Mitani et al. D18/54
D546,383 S * 7/2007 Wang D18/50
D549,276 S * 8/2007 Clark, III D18/46
D643,462 S * 8/2011 Yamashita et al. D18/50
D655,331 S * 3/2012 Larson et al. D18/40
D670,758 S * 11/2012 Chida D18/50
8,322,836 B2 * 12/2012 Laramie et al. 347/86

(Continued)

OTHER PUBLICATIONS

Design U.S. Appl. No. 29/489,231 to Yoshiyuki Tanaka et al., filed Apr. 29, 2014.

Design U.S. Appl. No. 29/489,230 to Yoshiyuki Tanaka et al., filed Apr. 29, 2014.

(Continued)

Primary Examiner — Cathy Anne MacCormac

(57) **CLAIM**

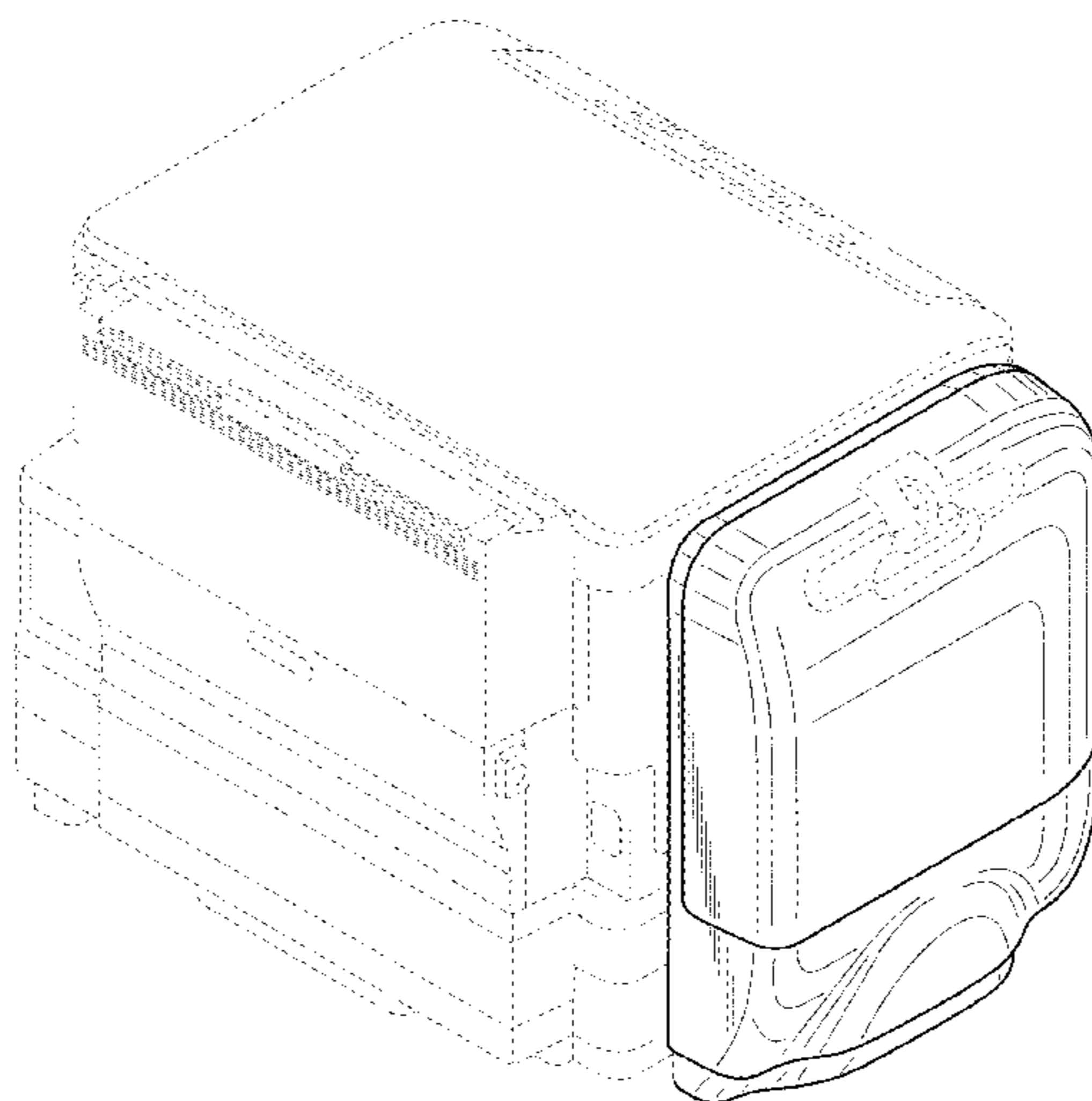
The ornamental design for a ink case for printer, as shown and described.

DESCRIPTION

FIG. 1 is a front, top and right side perspective view of a ink case for printer showing our new design;
FIG. 2 is a rear, top and left side perspective view thereof;
FIG. 3 is a front view thereof;
FIG. 4 is a rear view thereof;
FIG. 5 is a top plan view thereof;
FIG. 6 is a bottom plan view thereof;
FIG. 7 is a right side view thereof; and,
FIG. 8 is a left side view thereof.

The features shown in broken lines in the drawings depict environmental subject matter only and form no part of the claimed design.

1 Claim, 8 Drawing Sheets



(56)

References Cited

U.S. PATENT DOCUMENTS

8,491,109 B2 * 7/2013 Takeda et al. 347/85
8,708,470 B1 * 4/2014 Blowfield et al. 347/86

OTHER PUBLICATIONS

Design U.S. Appl. No. 29/489,232 to Yoshiyuki Tanaka et al., filed
Apr. 29, 2014.

* cited by examiner

FIG. 1

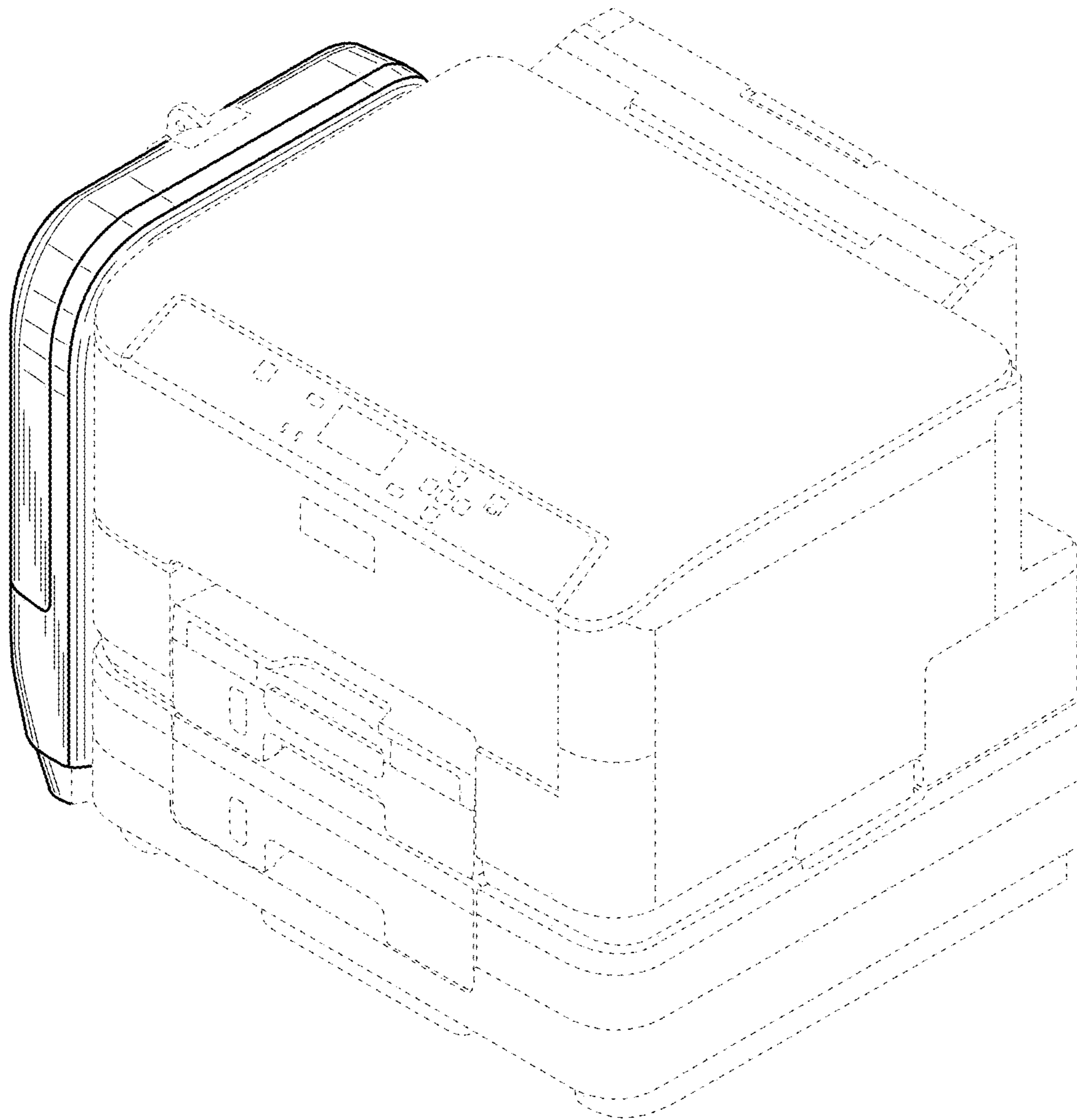


FIG. 2

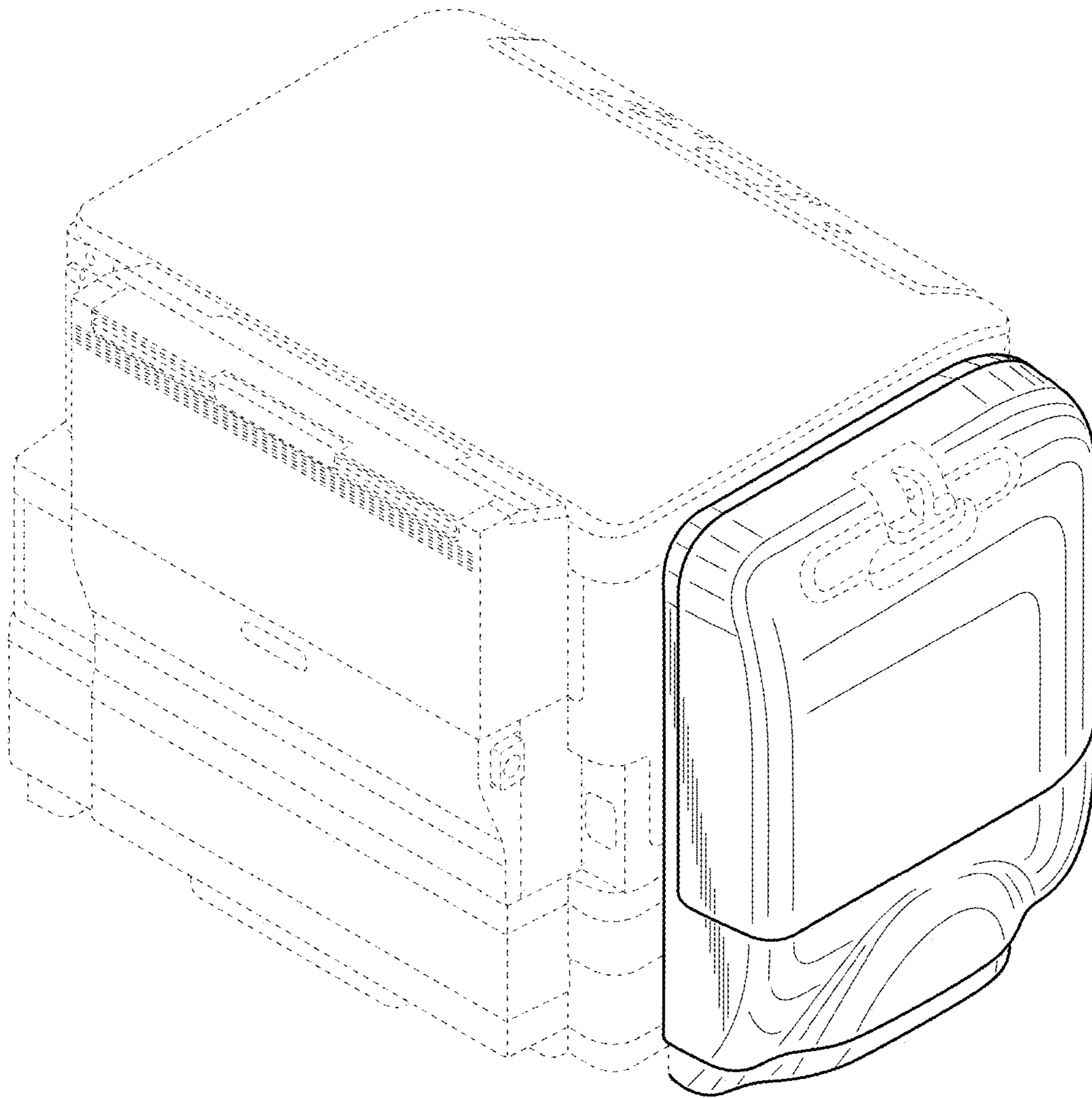


FIG. 3

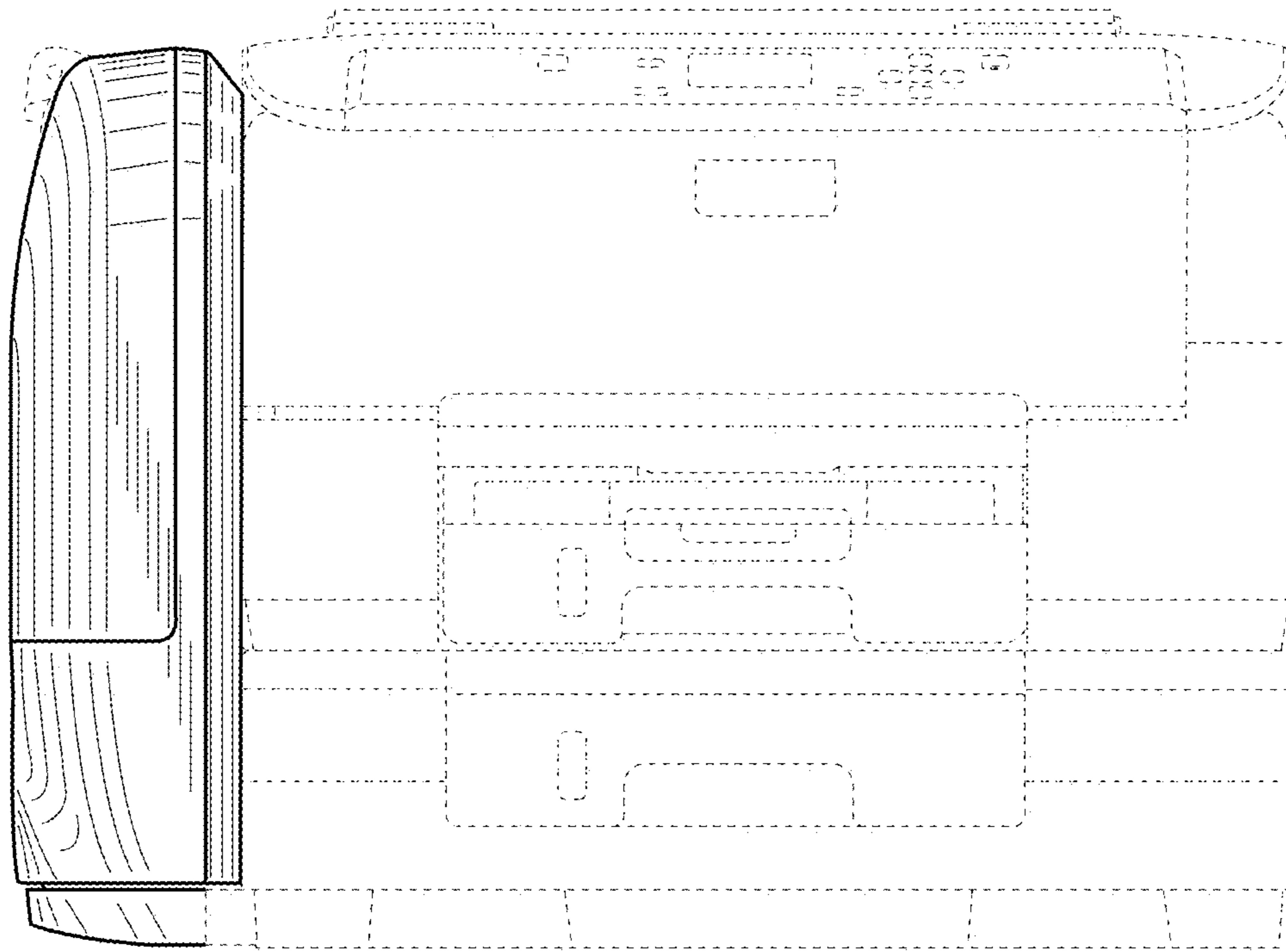


FIG. 4

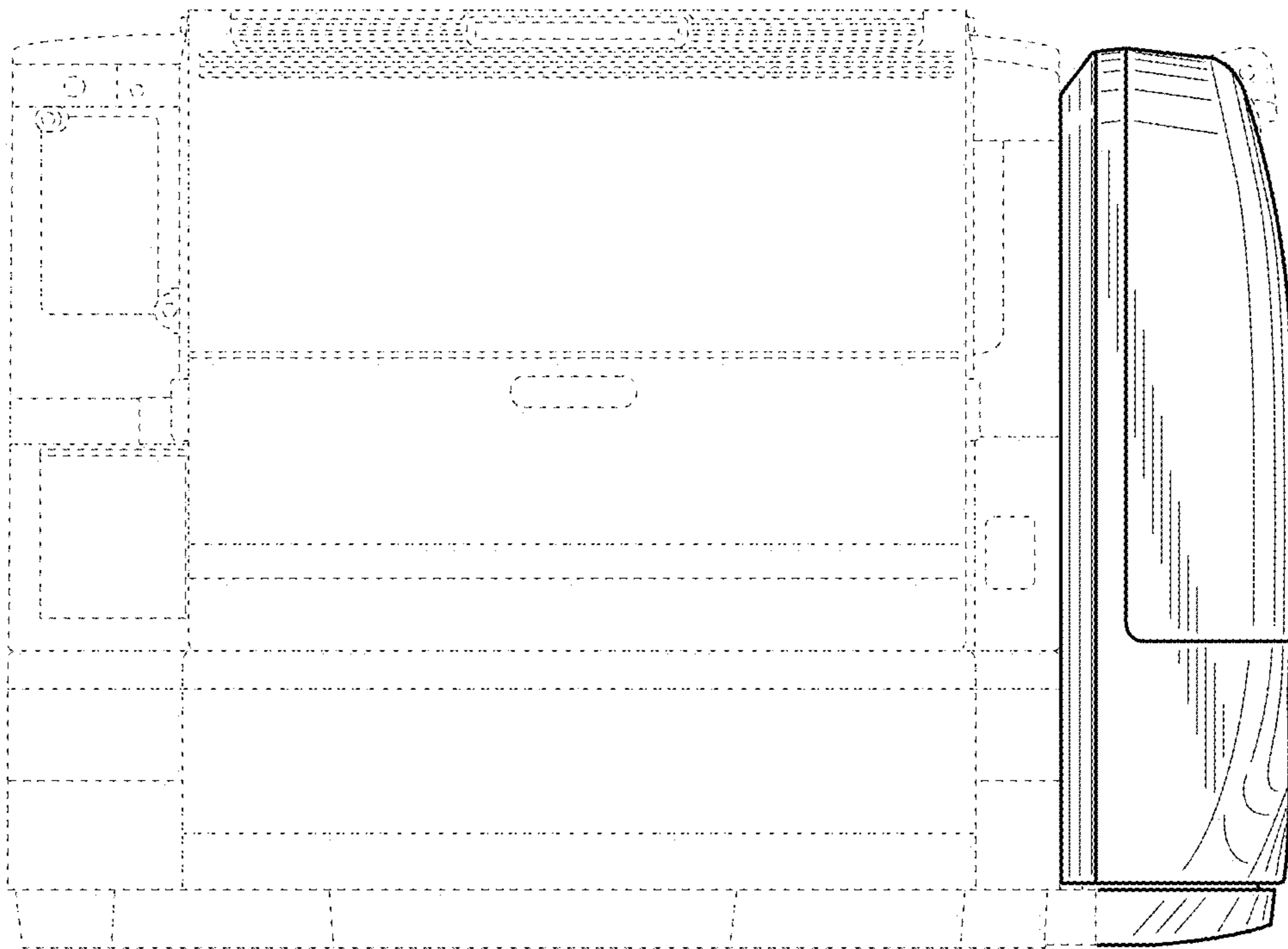


FIG. 5

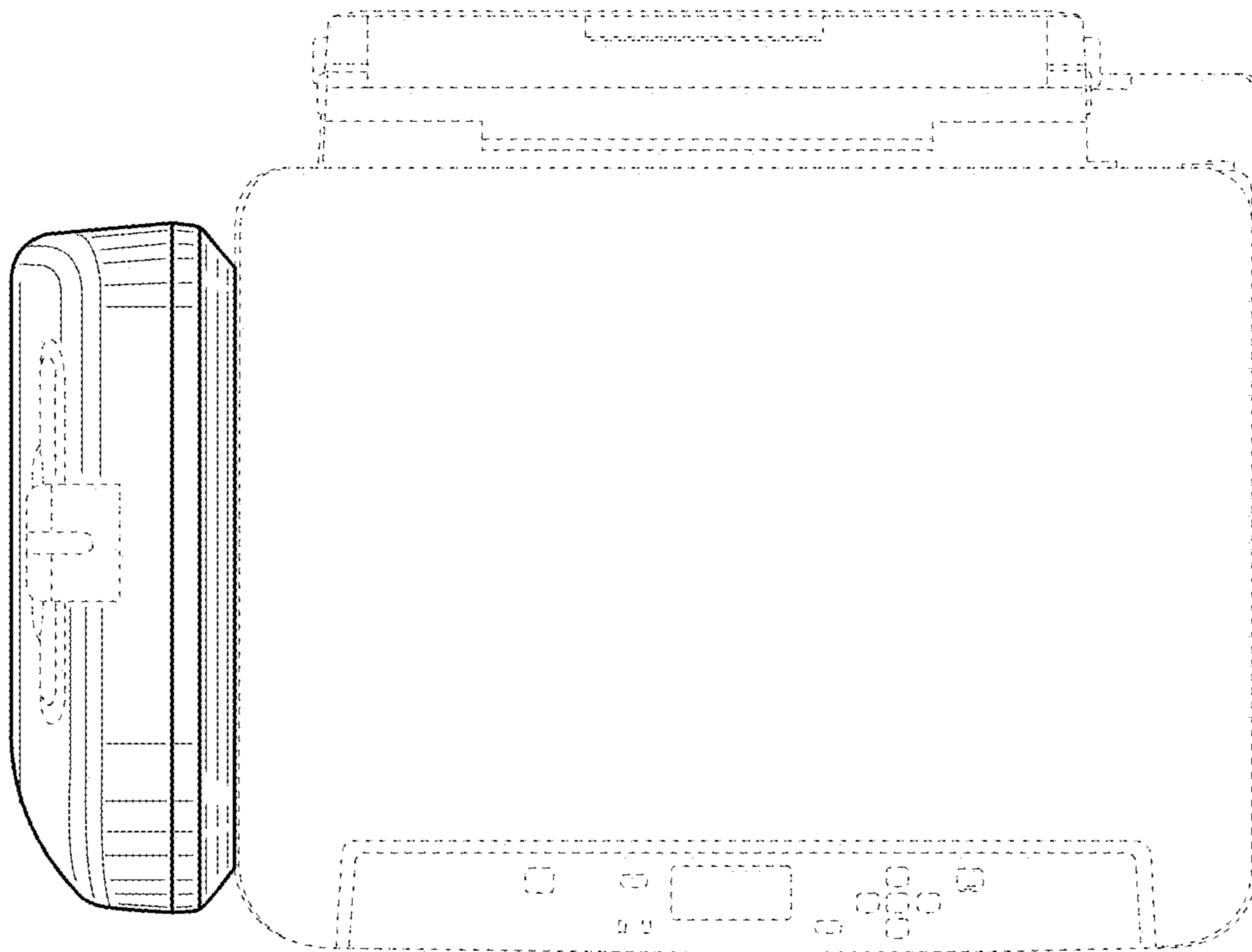


FIG. 6

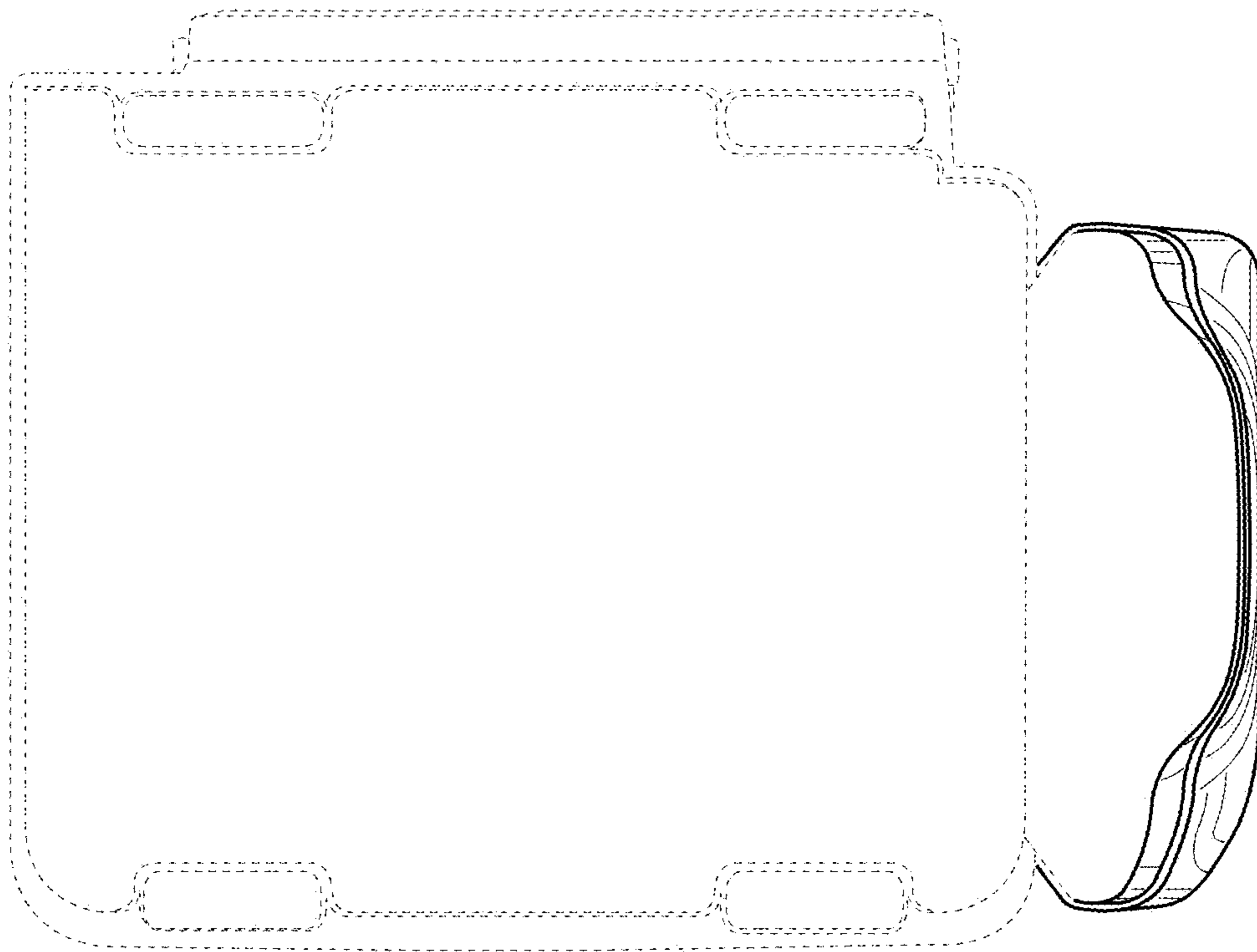


FIG. 7

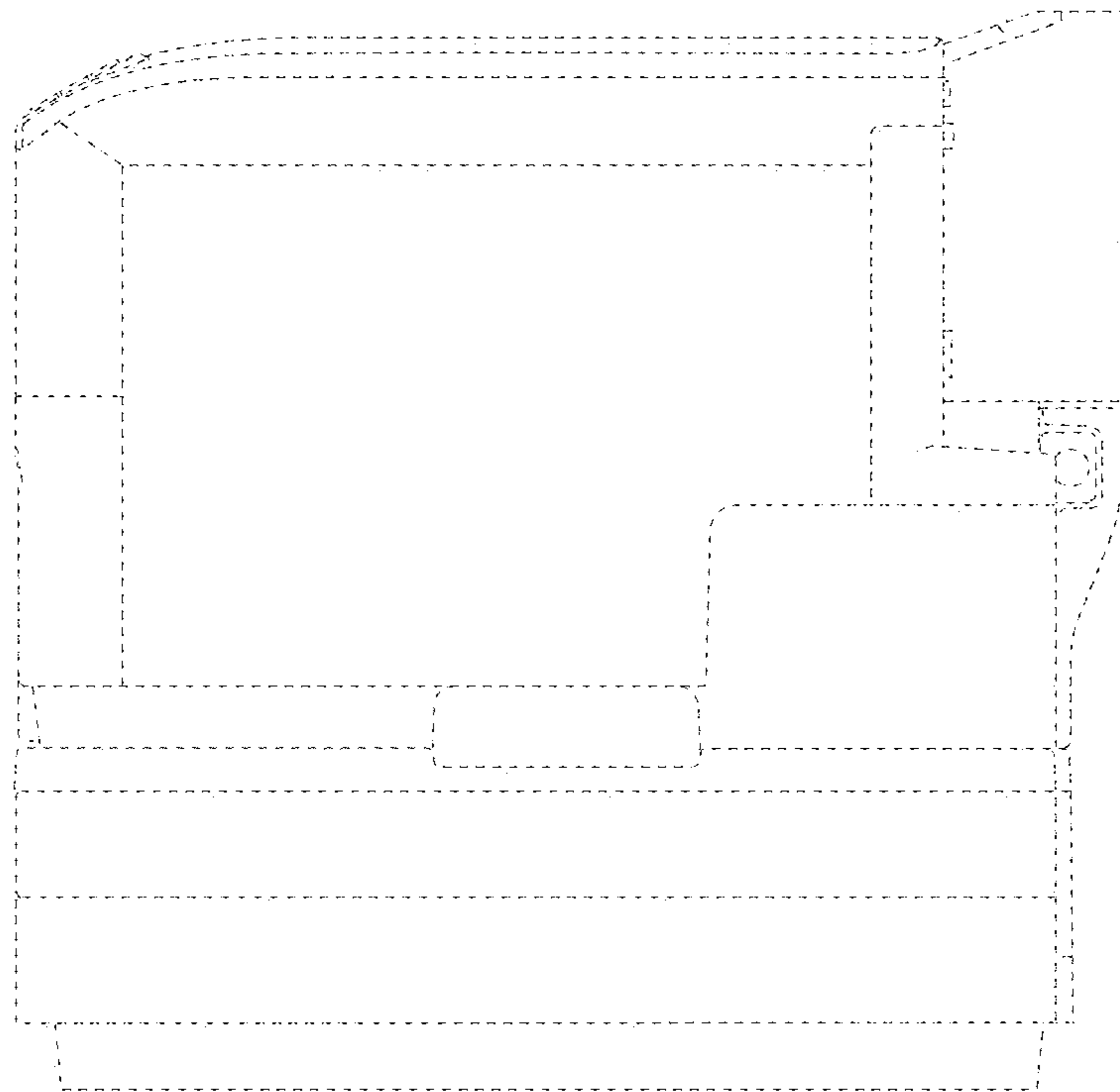


FIG. 8

