



US00D761351S

(12) **United States Design Patent**
Hashimoto et al.

(10) **Patent No.:** **US D761,351 S**
(45) **Date of Patent:** **** Jul. 12, 2016**

(54) **INK RIBBON CASSETTE FOR PRINTER**

(71) Applicant: **Canon Kabushiki Kaisha**, Ohta-ku,
Tokyo (JP)

(72) Inventors: **Masaya Hashimoto**, Kawasaki (JP);
Masaki Suzuki, Tokyo (JP)

(73) Assignee: **Canon Kabushiki Kaisha**, Tokyo (JP)

(**) Term: **14 Years**

(21) Appl. No.: **29/485,473**

(22) Filed: **Mar. 19, 2014**

(30) **Foreign Application Priority Data**

Sep. 20, 2013 (JP) 2013-021757

(51) **LOC (10) Cl.** **18-02**

(52) **U.S. Cl.**
USPC **D18/56**

(58) **Field of Classification Search**
USPC D18/12, 40, 43-44, 56; 347/214;
360/132, 134; 400/194-196, 207-208,
400/208.1, 235.1, 236, 242, 247, 331
CPC B41J 17/28; B41J 17/30; B41J 17/32;
B41J 21/00; B41J 35/28
See application file for complete search history.

(56) **References Cited**

U.S. PATENT DOCUMENTS

5,480,242 A * 1/1996 Gunderson 400/208
D420,696 S * 2/2000 Yung et al. D18/12
D446,239 S * 8/2001 Funaki D18/12

D458,295 S * 6/2002 Neri et al. D18/12
D464,670 S * 10/2002 Du D18/12
6,504,564 B1 * 1/2003 Funaki et al. 347/214
D505,445 S * 5/2005 Neri D18/12
6,910,656 B2 * 6/2005 Lysiak et al. 400/207
D523,063 S * 6/2006 Tu D18/12
7,151,555 B2 * 12/2006 Kaida et al. 347/214
D539,842 S * 4/2007 Minami et al. D18/56
RE40,202 E * 4/2008 Funaki et al. 347/214
7,594,770 B2 * 9/2009 Maruyama et al. 400/208
7,699,549 B2 * 4/2010 Dochi et al. 400/208
7,736,076 B2 * 6/2010 Motoki 400/208
D671,165 S * 11/2012 Kobayashi et al. D18/56
8,568,044 B2 * 10/2013 Murata et al. 400/208
8,646,997 B2 * 2/2014 Matsubayashi et al. 400/208

* cited by examiner

Primary Examiner — Cathy Anne MacCormac

(74) *Attorney, Agent, or Firm* — Fitzpatrick, Cella, Harper & Scinto

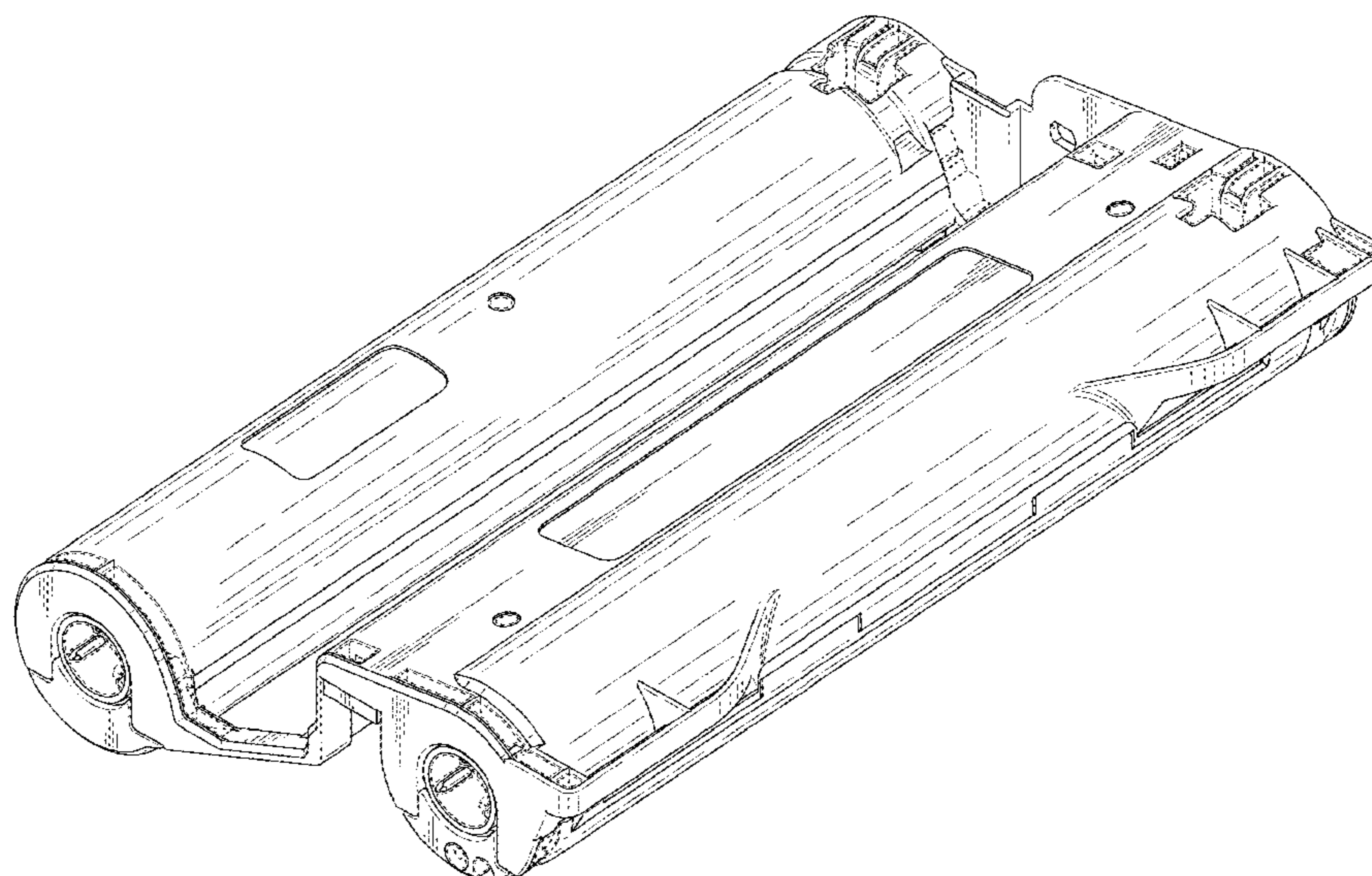
(57) **CLAIM**

The ornamental design for an ink ribbon cassette for printer, as shown and described.

DESCRIPTION

FIG. 1 is a front view of an ink ribbon cassette for printer showing our new design;
FIG. 2 is a rear view thereof;
FIG. 3 is a top plan view thereof;
FIG. 4 is a bottom plan view thereof;
FIG. 5 is a left side view thereof;
FIG. 6 is a right side view thereof; and,
FIG. 7 is a perspective view thereof.
The broken lines depict environmental subject matter only and form no part of the claimed design.

1 Claim, 5 Drawing Sheets



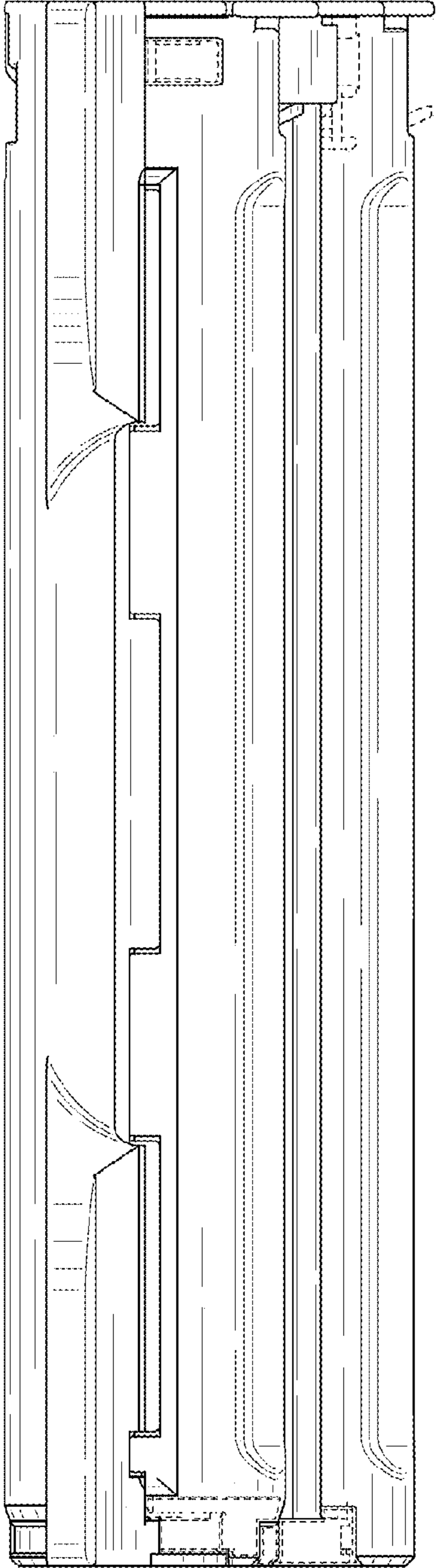


FIG. 1

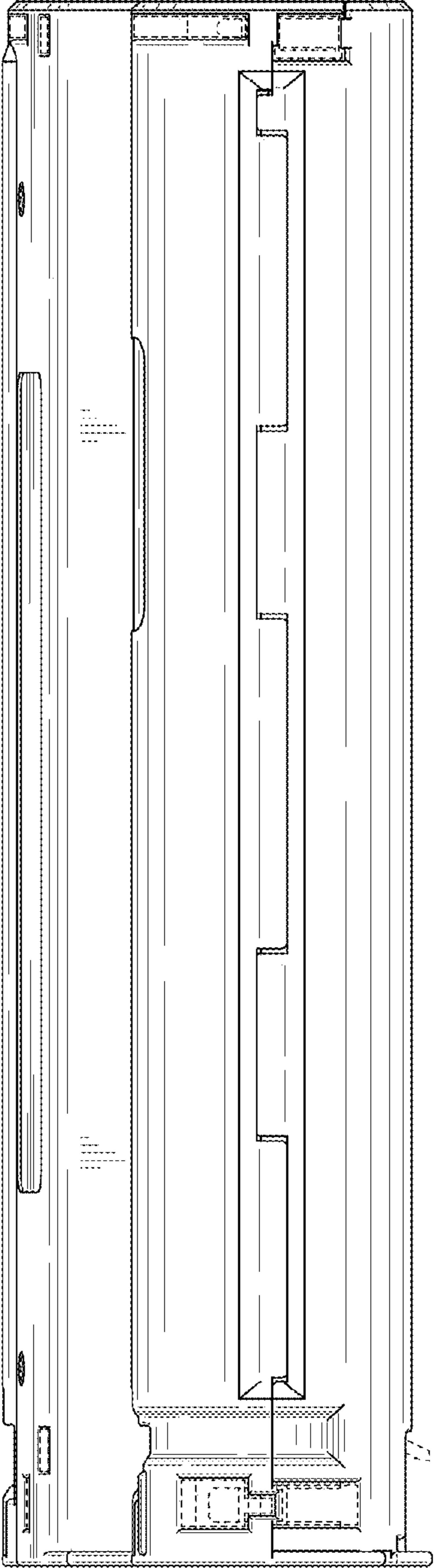


FIG. 2

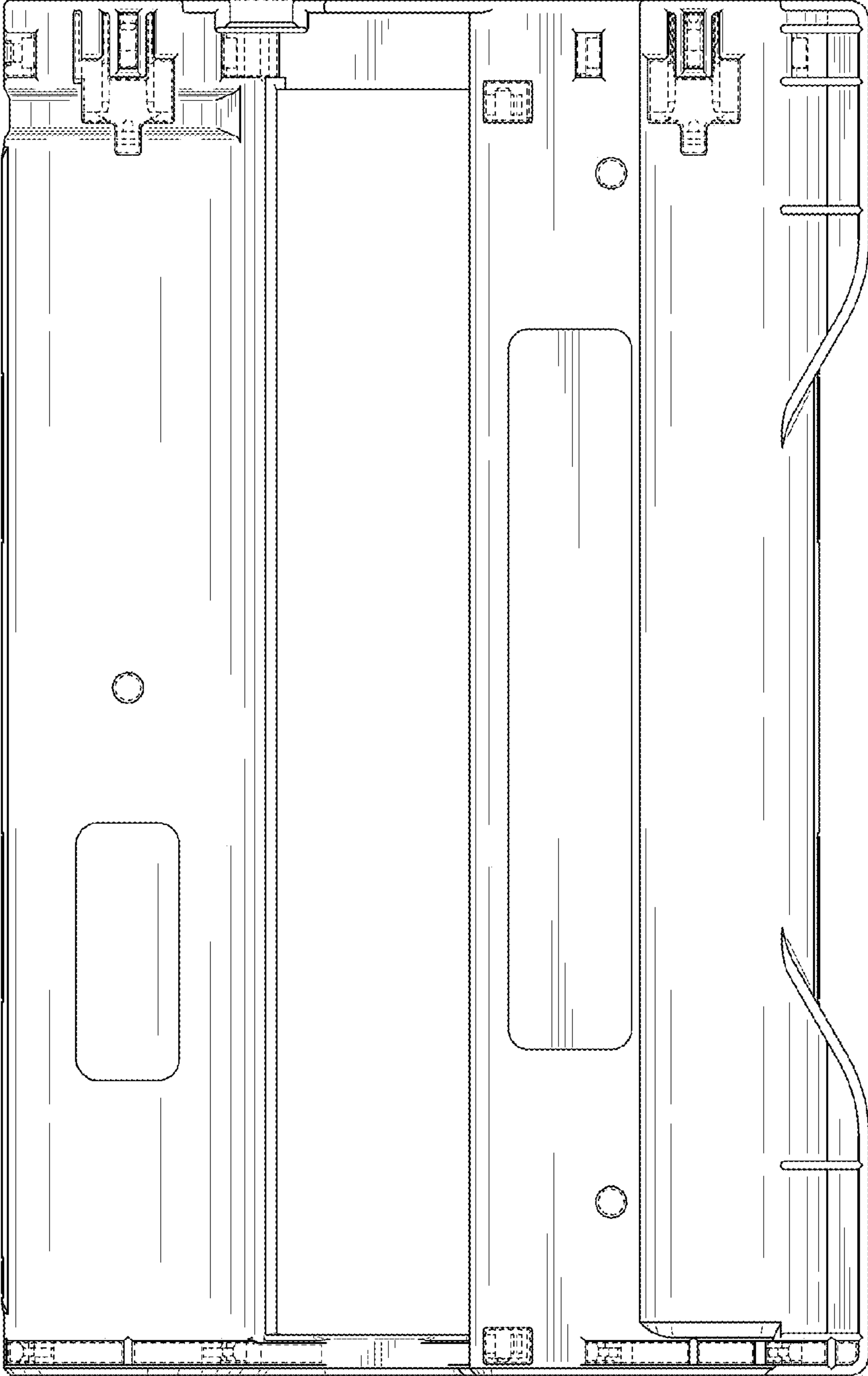


FIG. 3

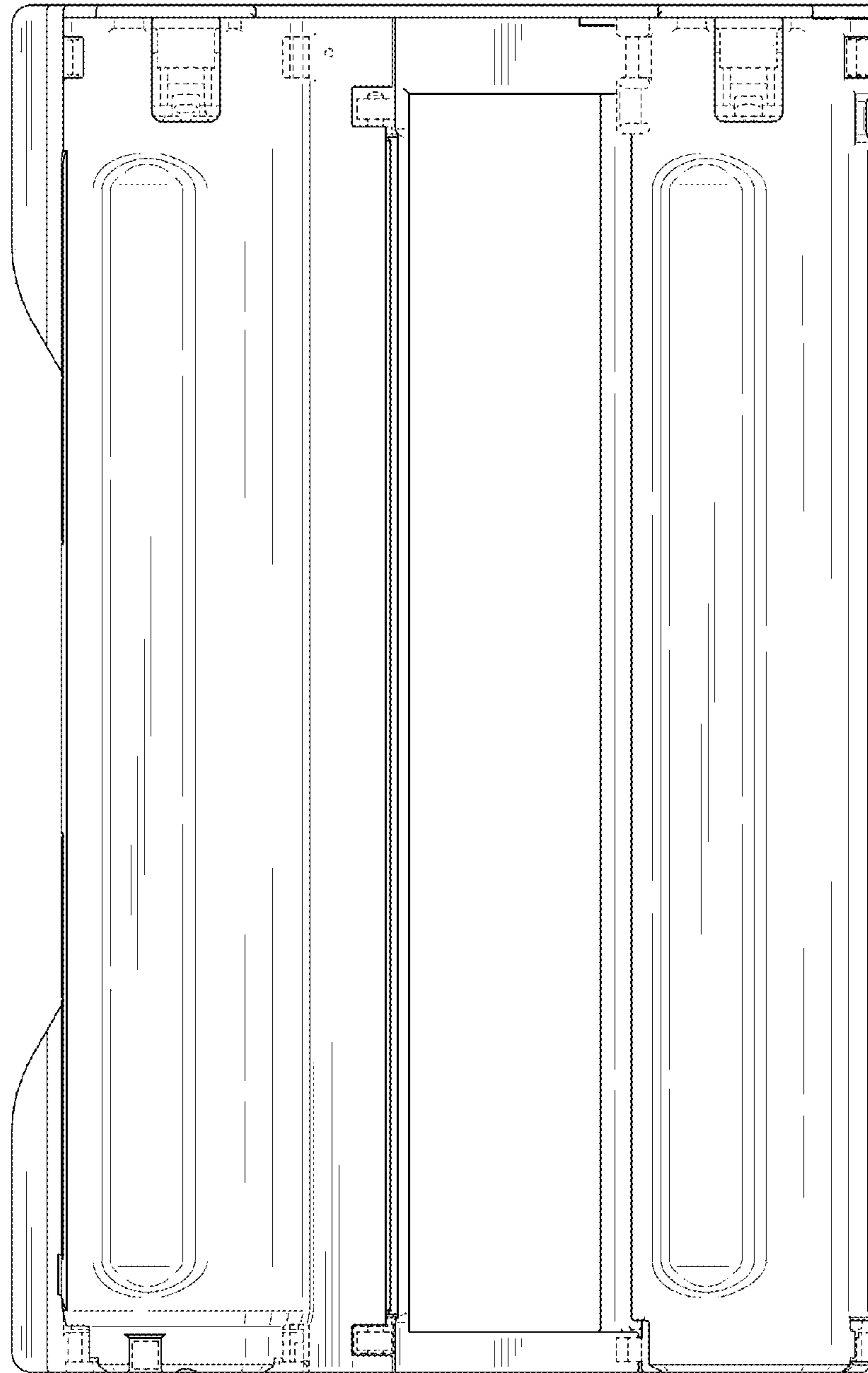


FIG. 4

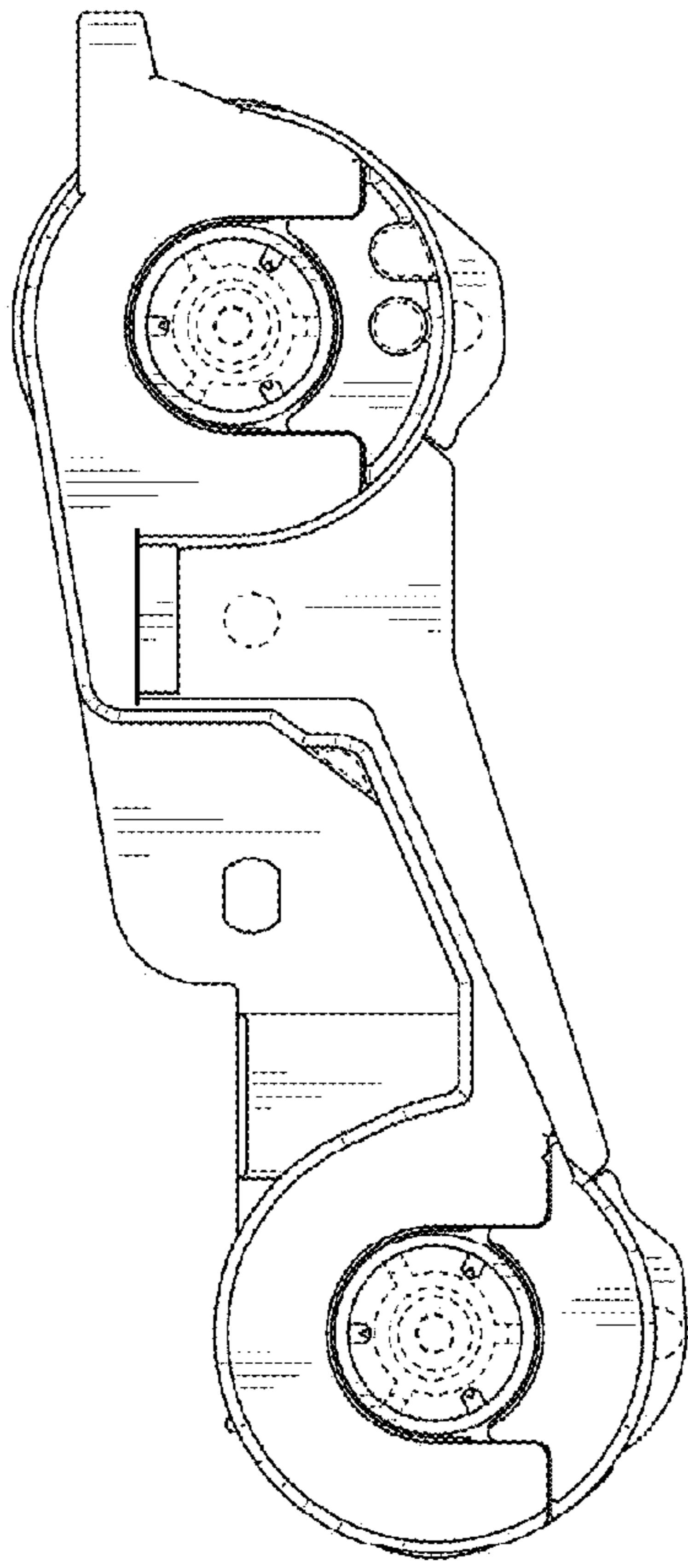


FIG. 5

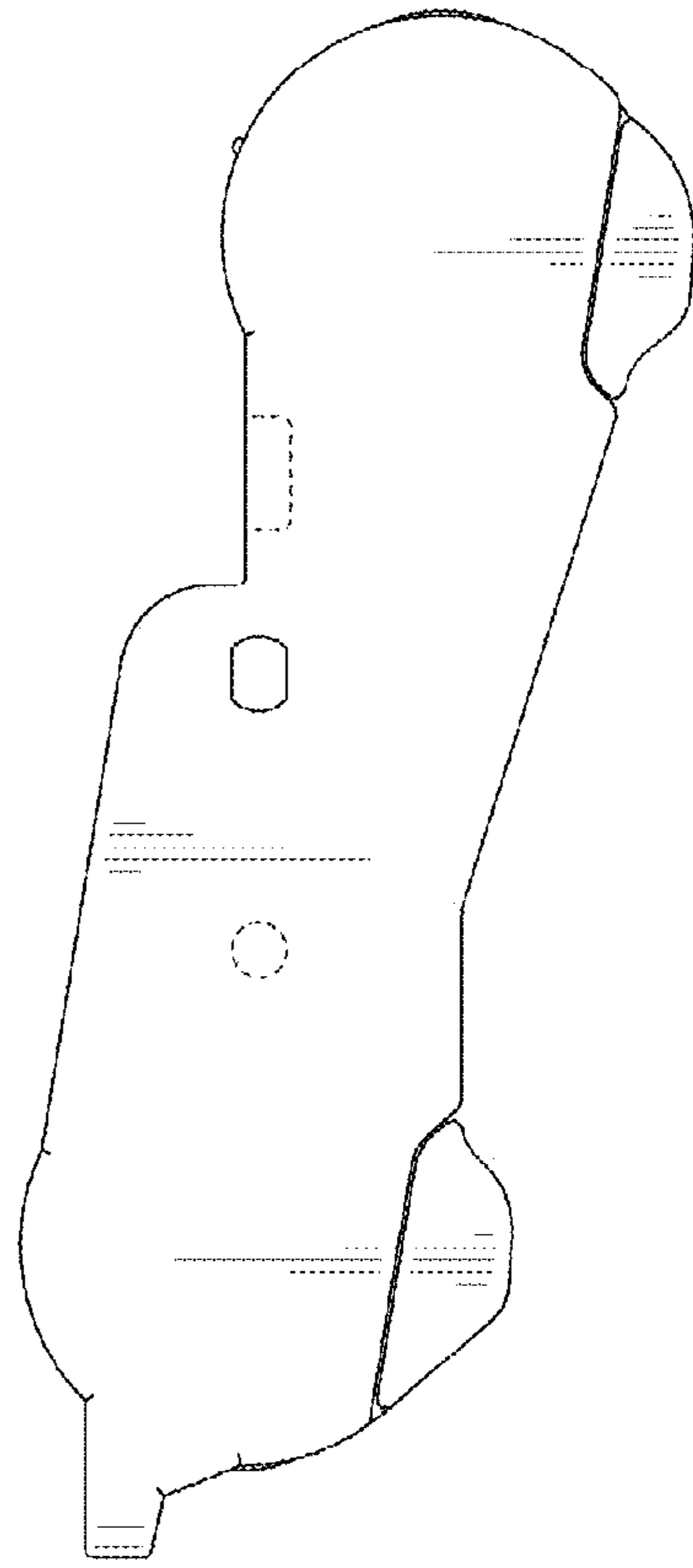


FIG. 6

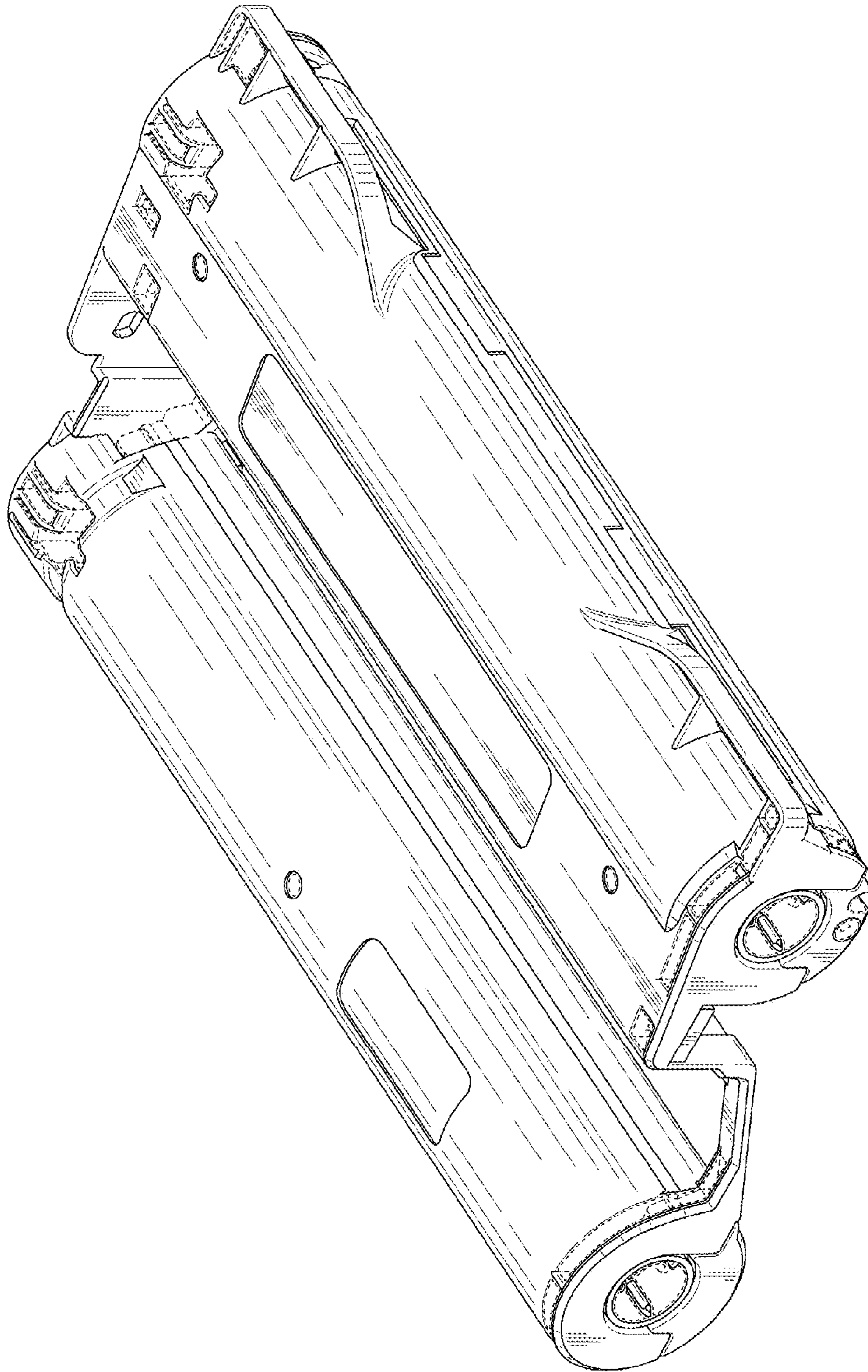


FIG. 7