

US00D761350S

(12) **United States Design Patent**
Beatty et al.

(10) **Patent No.:** **US D761,350 S**
(45) **Date of Patent:** **** Jul. 12, 2016**

(54) **ROTATABLE DOCK FOR HANDHELD
POINT-OF-SALE TERMINAL**

(71) Applicant: **FIRST DATA CORPORATION**,
Greenwood Village, CO (US)
(72) Inventors: **John Beatty**, Mountain View, CA (US);
Leonard Speiser, Mountain View, CA
(US); **Eric Fuhs**, Mountain View, CA
(US); **Christopher Loew**, Palo Alto, CA
(US); **David Frederick Lyons**, Palo
Alto, CA (US)
(73) Assignee: **First Data Corporation**, Greenwood
Village, CO (US)

(**) Term: **14 Years**

(21) Appl. No.: **29/501,391**

(22) Filed: **Sep. 3, 2014**

(51) **LOC (10) Cl.** **18-01**

(52) **U.S. Cl.**
USPC **D18/12**

(58) **Field of Classification Search**
USPC D18/4.4, 4.5, 4.6, 12, 12.1, 12.3, 14;
D14/383, 384, 385, 386, 378, 451
CPC G06K 19/00749; G06K 19/0723;
G06K 19/041; G06K 19/07758; G06K
19/0775; G06K 19/07783; G06K 19/07794;
G06K 19/06046; G06K 19/07722; G06K
19/07773; G06K 19/07779; G06K 19/07784;
G06K 19/07786; G06K 19/0709; G06K
7/10178; G06K 7/10336; G06K 7/1096;
G06K 13/067; G06K 13/16; G06K 17/00;
G06K 17/0006; G06K 17/0022; G06K
17/0025; G06K 19/02; G06K 19/06; G06K
19/06028; G06K 19/0614; G06K 19/06206;
G06K 19/067

See application file for complete search history.

(56) **References Cited**

U.S. PATENT DOCUMENTS

D688,673 S * 8/2013 Haller D14/451
D720,000 S * 12/2014 Lyons D18/4.5
D725,182 S * 3/2015 Haller D18/11
D735,802 S * 8/2015 Lyons D18/4.5

* cited by examiner

Primary Examiner — Daniel Bui
Assistant Examiner — Khawaja Anwar
(74) *Attorney, Agent, or Firm* — Sutherland Asbill &
Brennan LLP

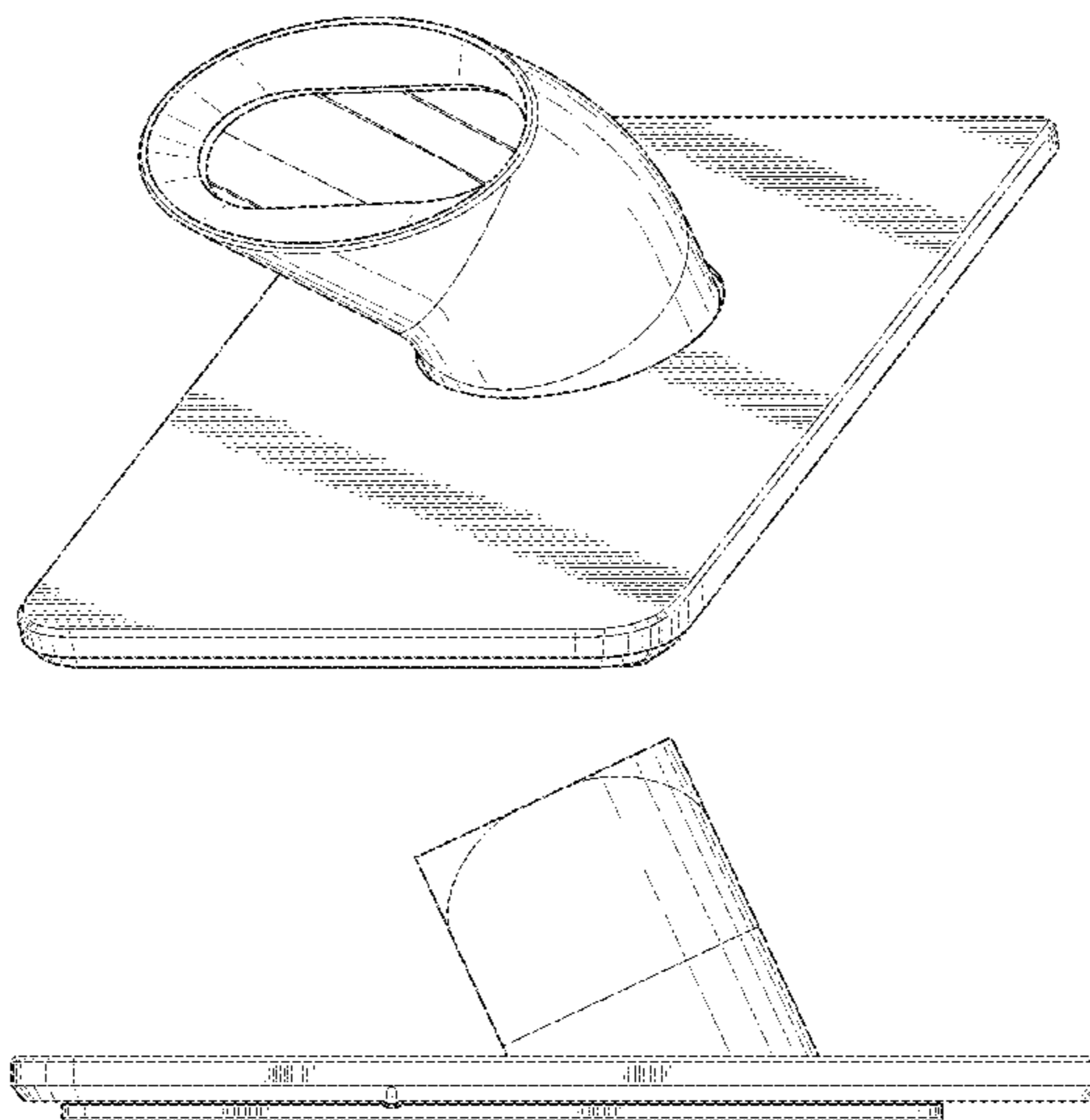
(57) **CLAIM**

An ornamental design for a rotatable dock for handheld point-
of-sale terminal, as shown and described.

DESCRIPTION

FIG. 1 is a front perspective view of a rotatable dock for handheld point-of-sale terminal in a right rotation, showing our new design;
FIG. 2 is a front left perspective view thereof, shown in a left rotation;
FIG. 3 is front perspective view thereof, shown in a front rotation;
FIG. 4 is a top plan view of FIG. 1;
FIG. 5 is a top plan view of FIG. 2;
FIG. 6 is a top plan view of FIG. 3;
FIG. 7 is a left side elevation view of FIG. 1;
FIG. 8 is a front elevation view of FIG. 1;
FIG. 9 is a front elevation view of FIG. 2;
FIG. 10 is a rear elevation view of FIG. 1;
FIG. 11 is a rear elevation view of FIG. 2;
FIG. 12 is a left side elevation view of FIG. 3;
FIG. 13 is a front elevation view of FIG. 3;
FIG. 14 is a rear elevation view of FIG. 4; and,
FIG. 15 is a bottom plan view thereof.
The broken lines in the figure drawings represent unclaimed environment only and form no part of the claimed design.

1 Claim, 12 Drawing Sheets



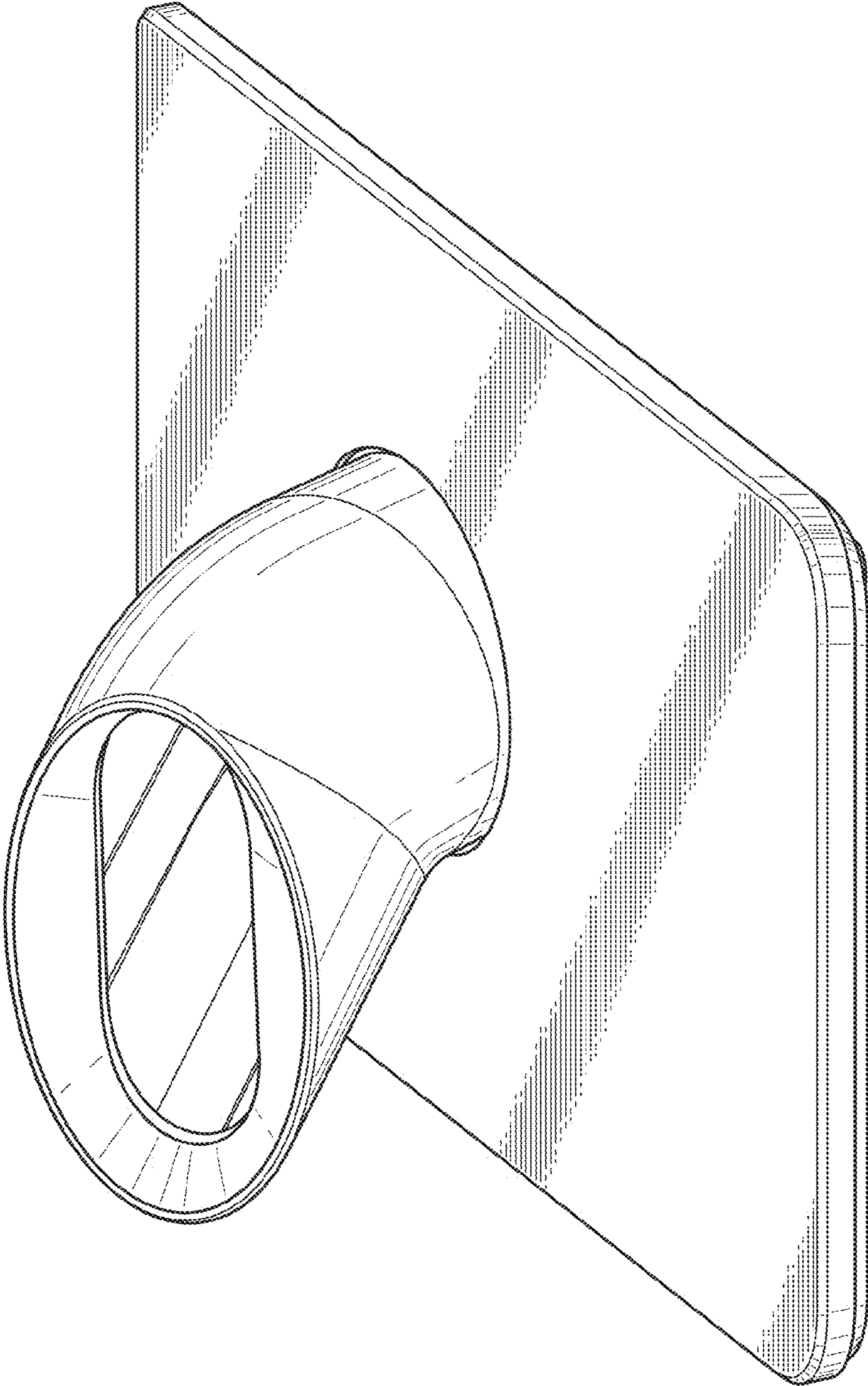


FIG. 1

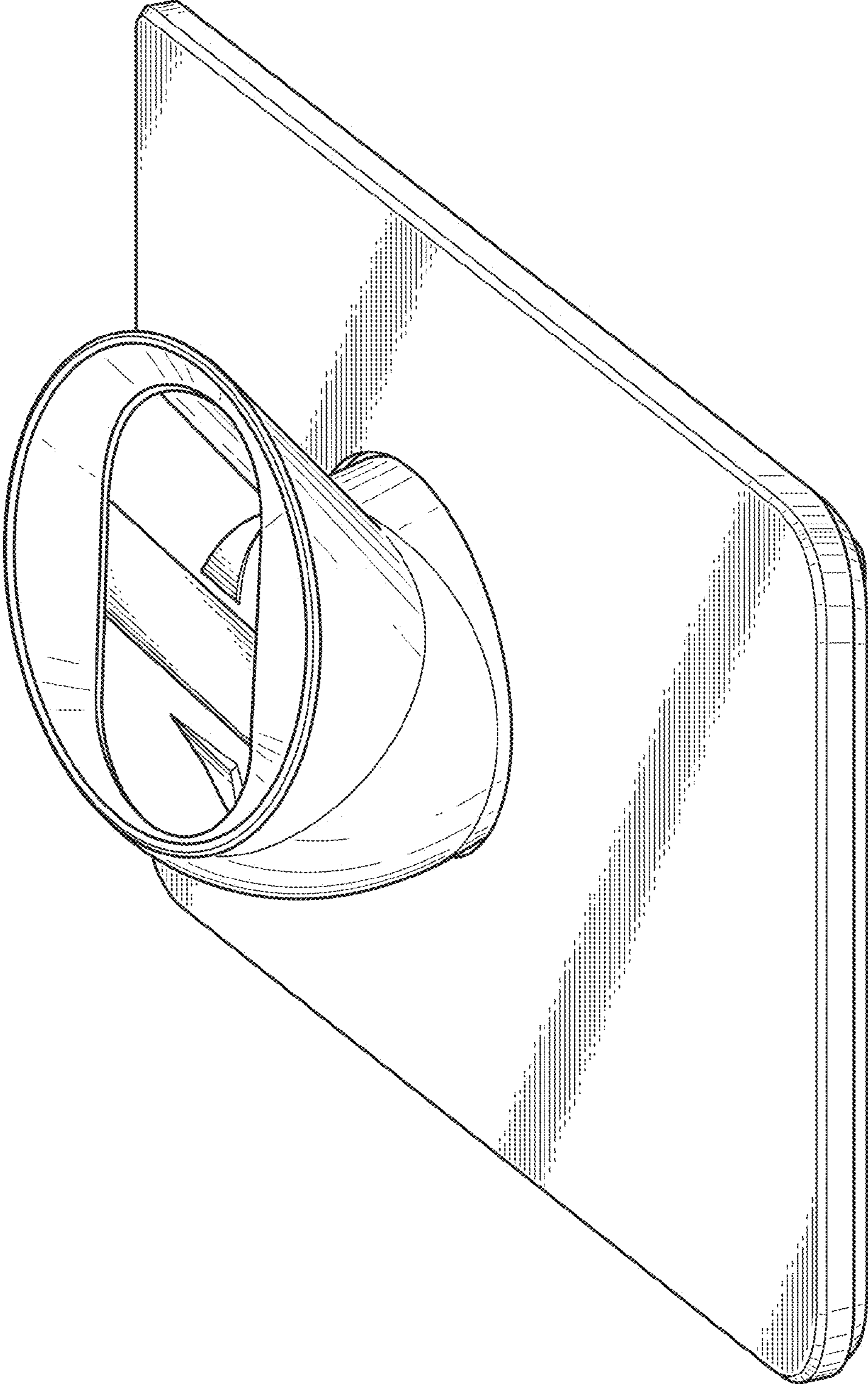


FIG. 2

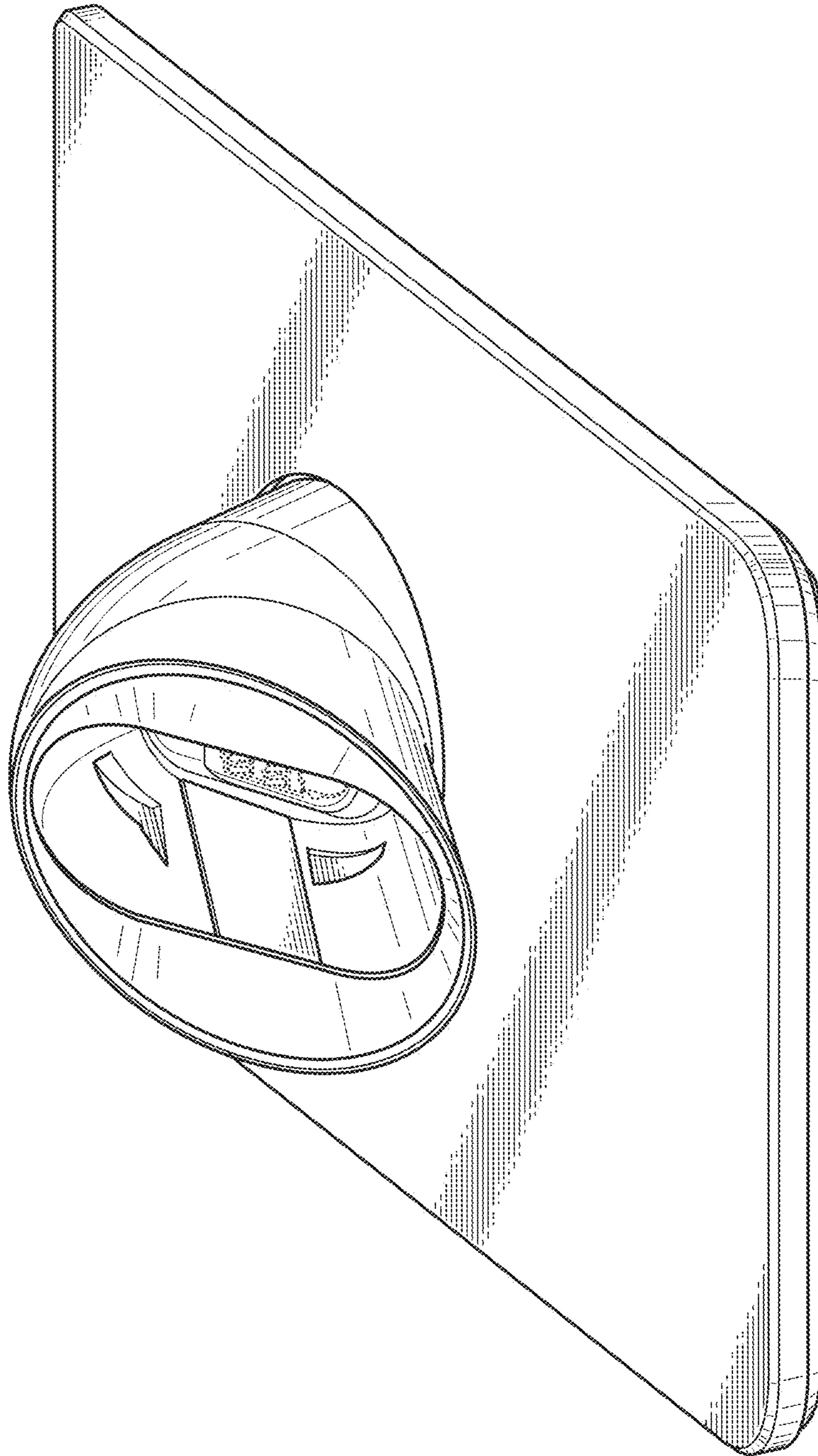


FIG. 3

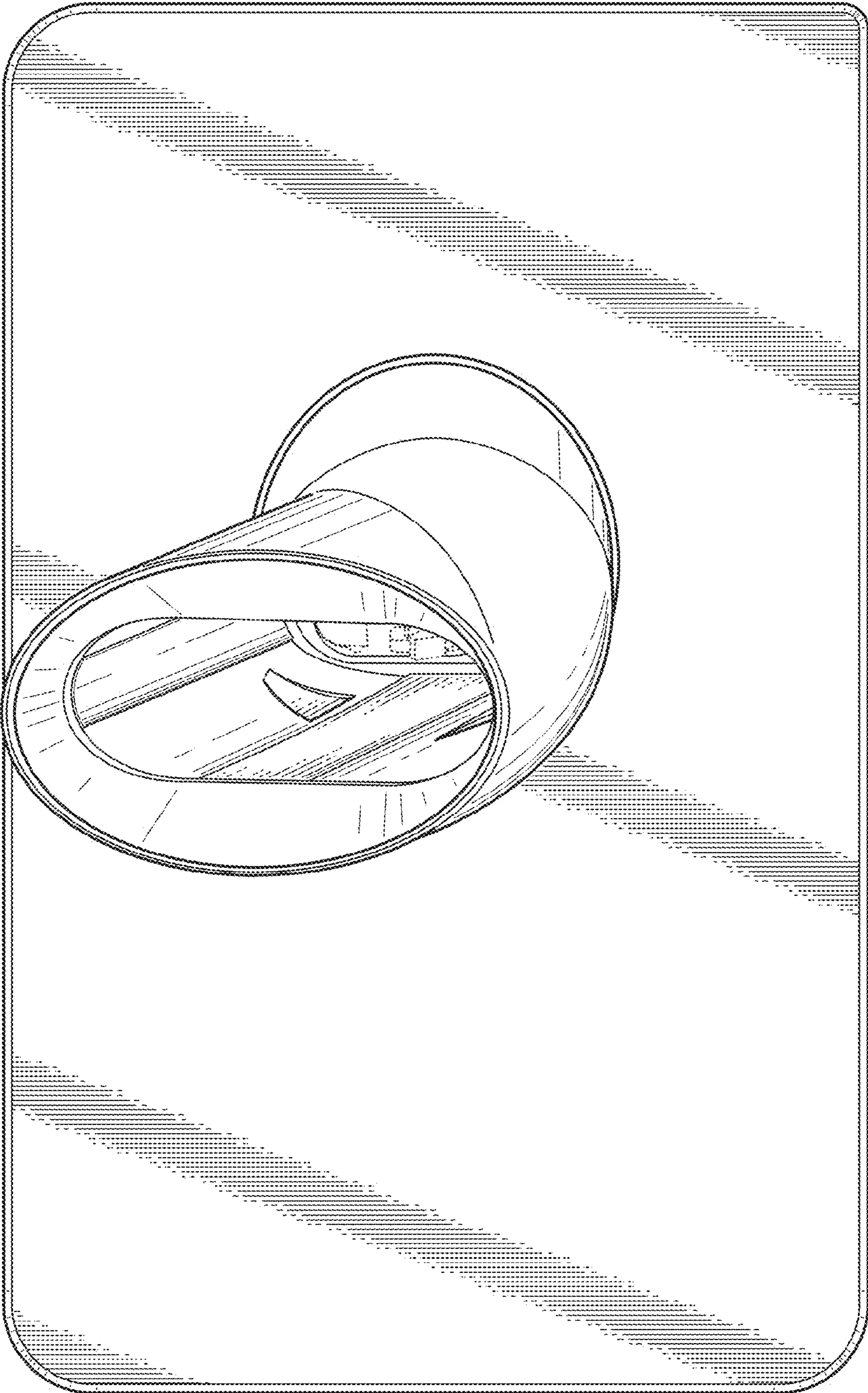


FIG. 4

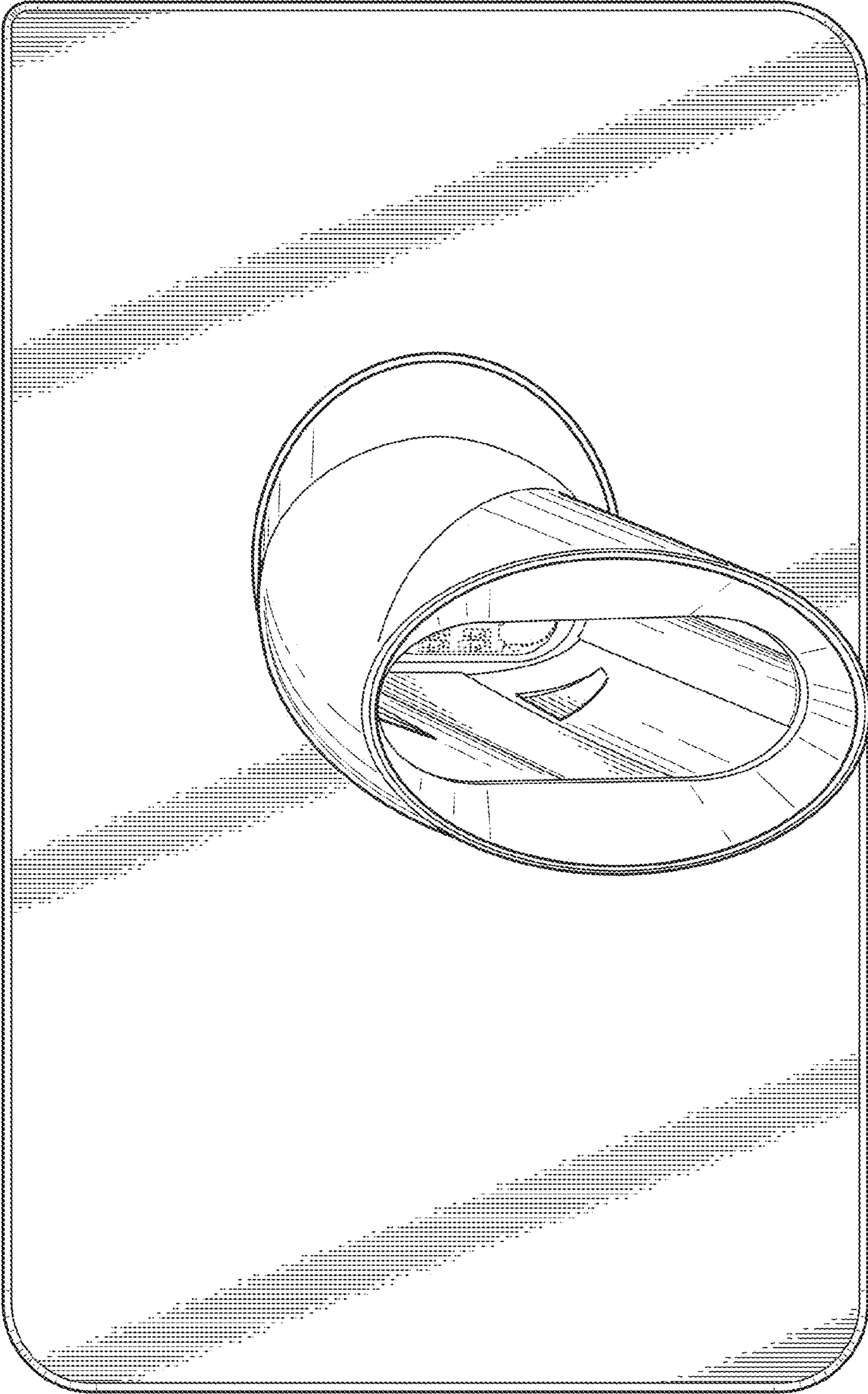


FIG. 5

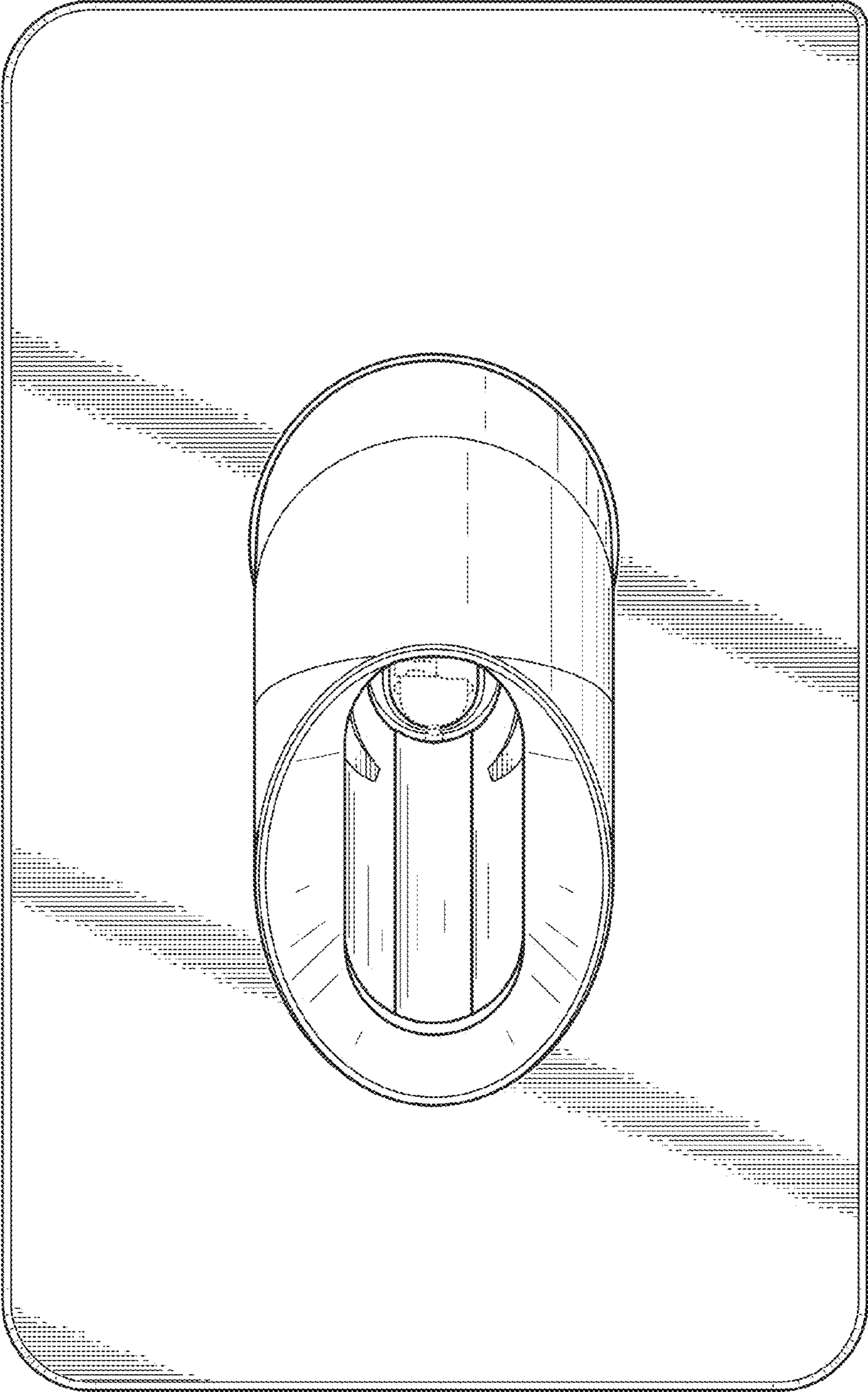


FIG. 6

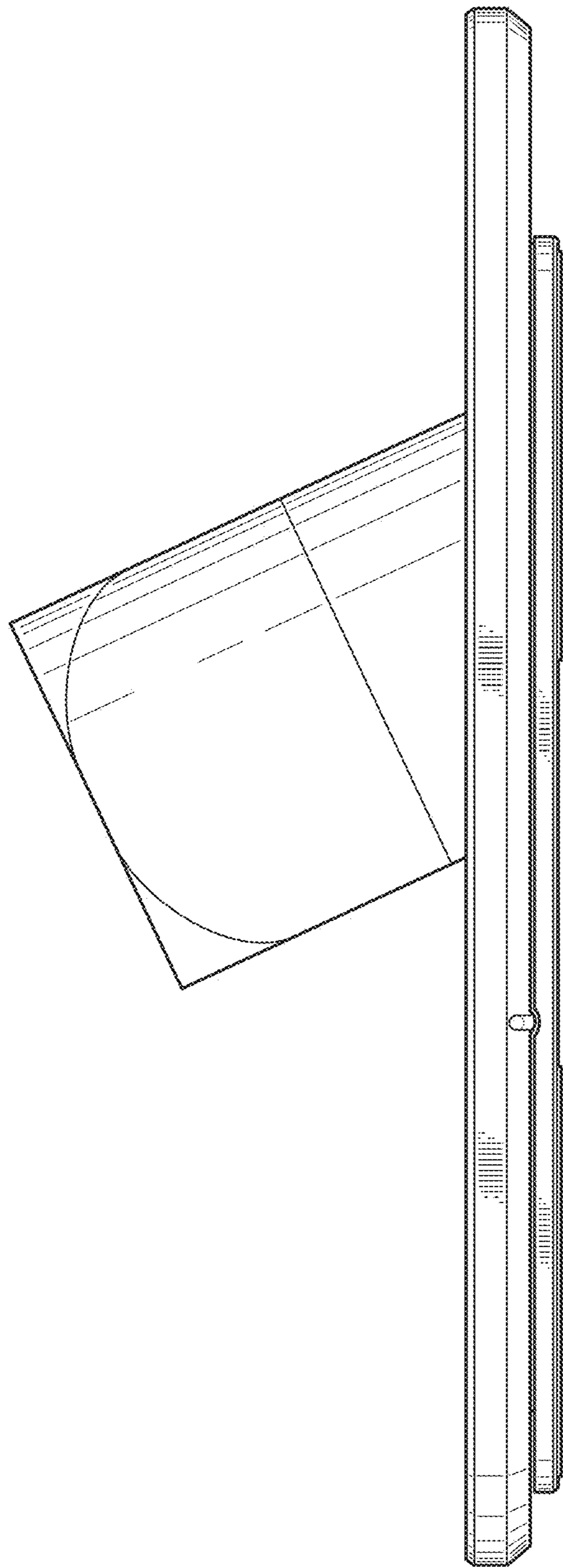


FIG. 7

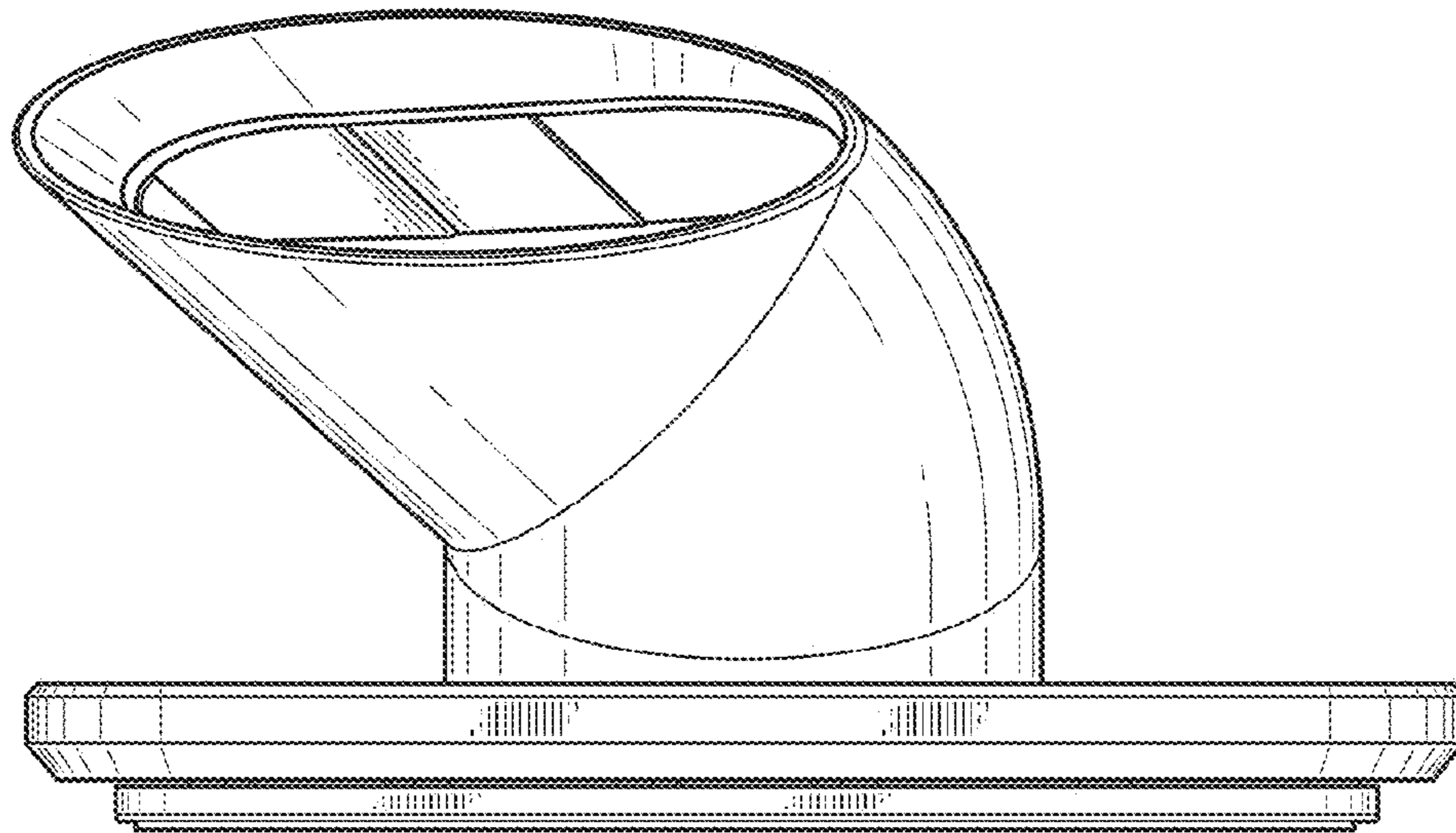


FIG. 8

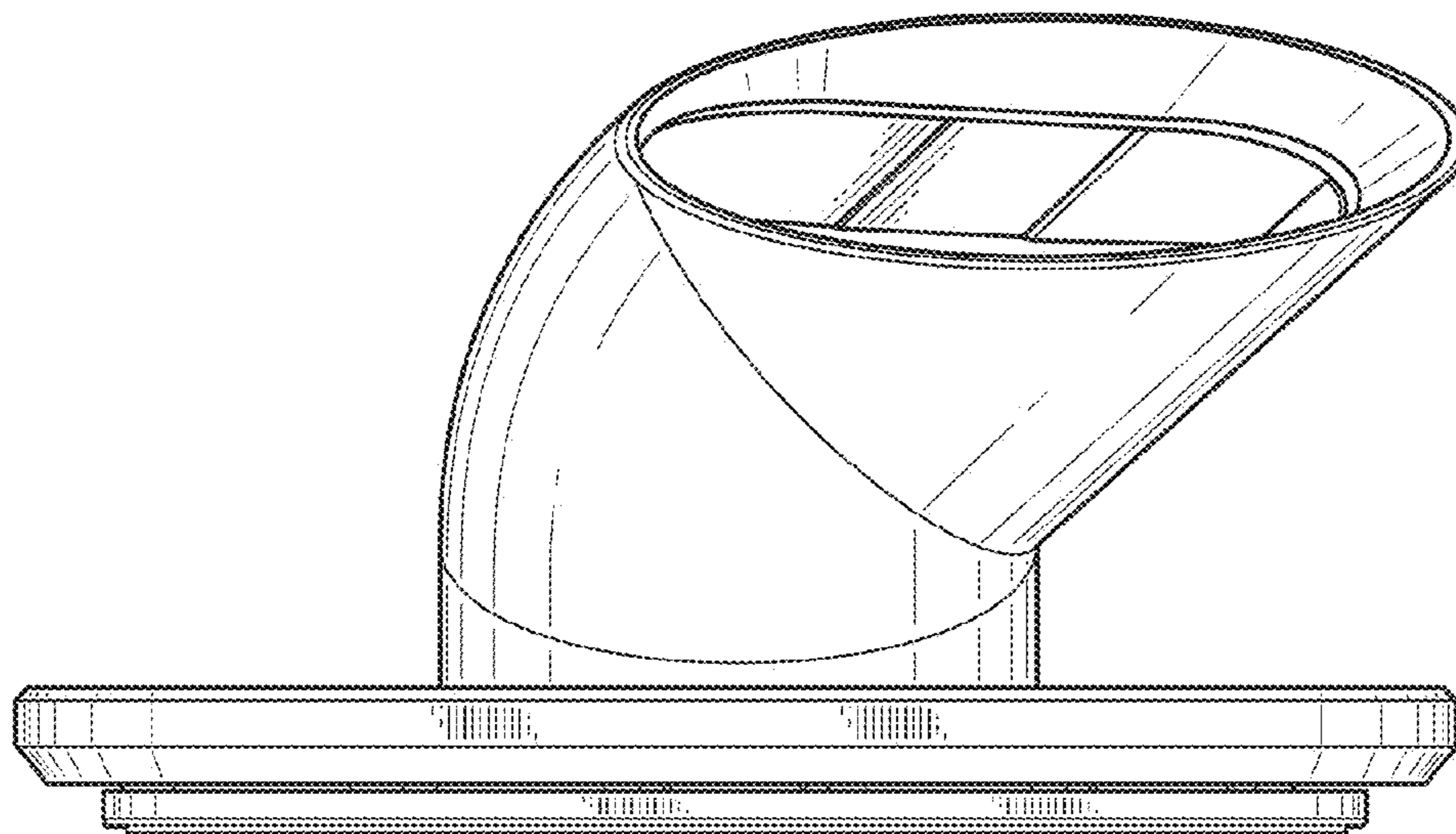


FIG. 9

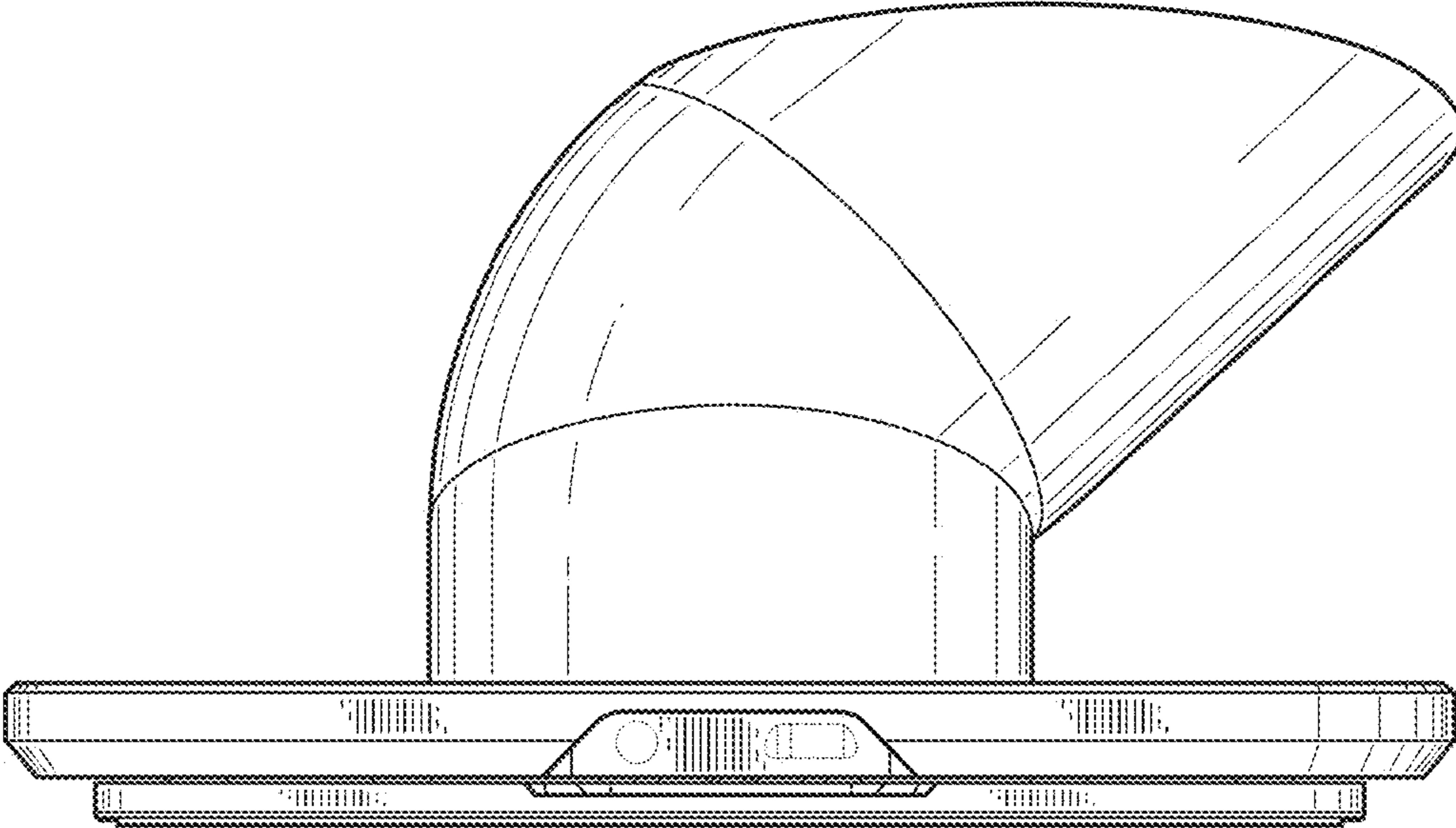


FIG. 10

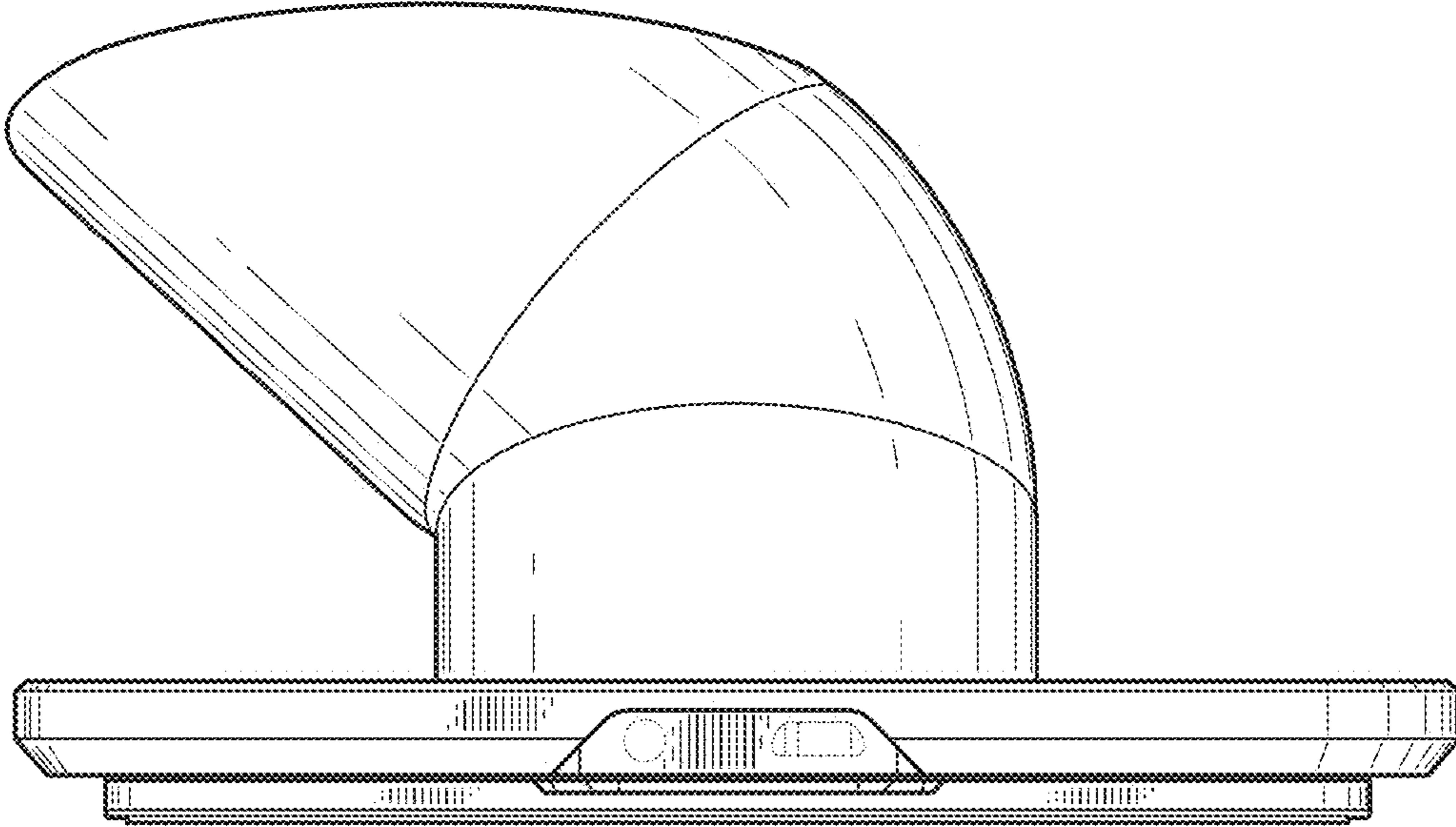


FIG. 11

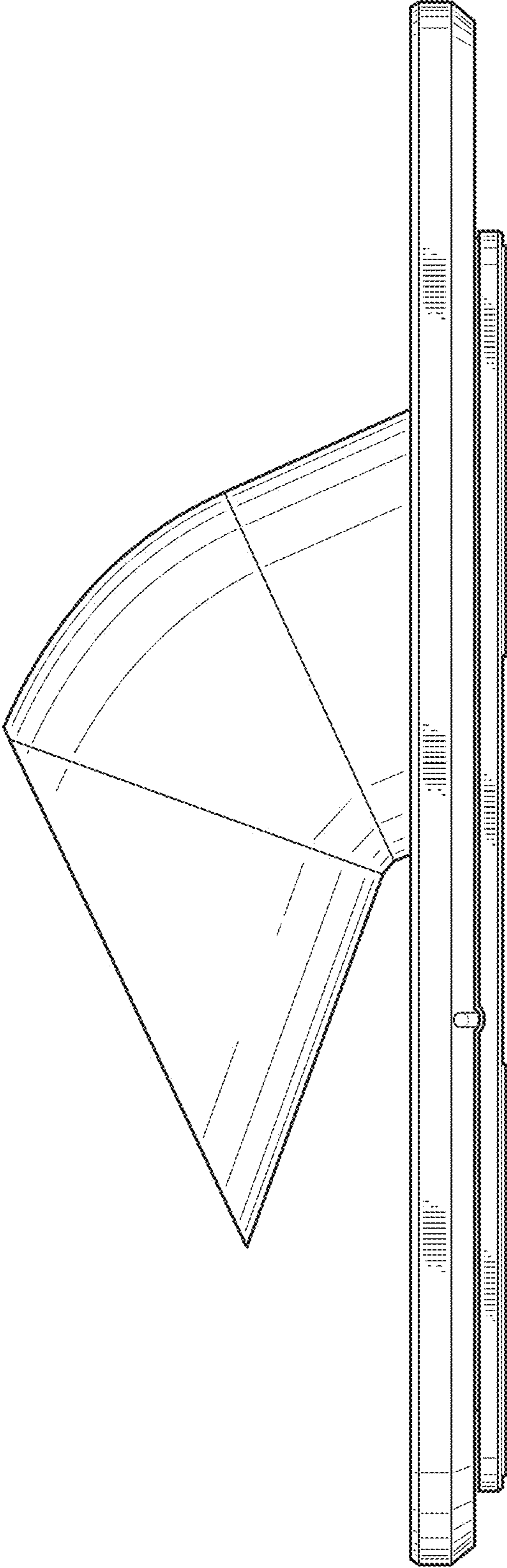


FIG. 12

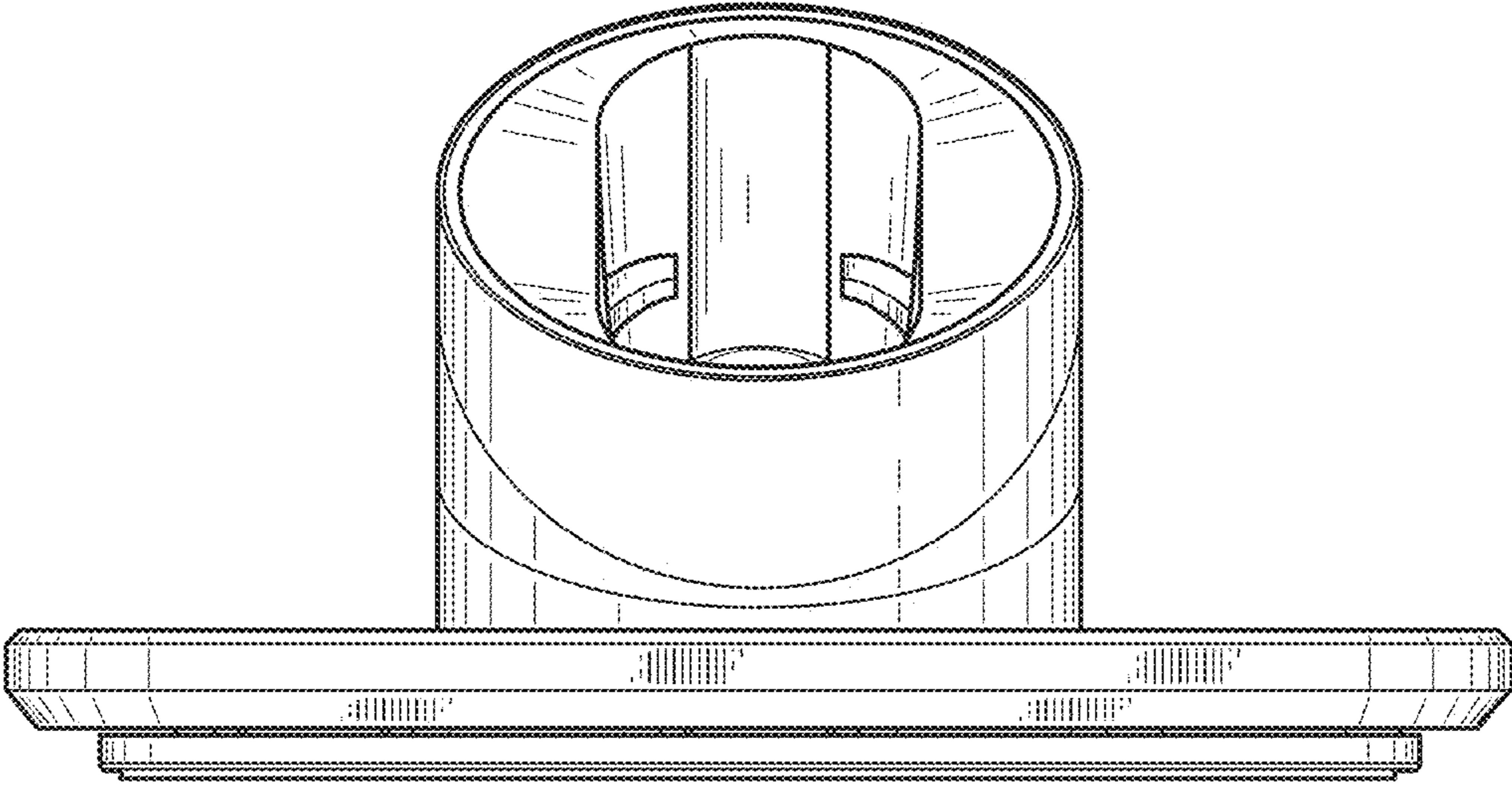


FIG. 13

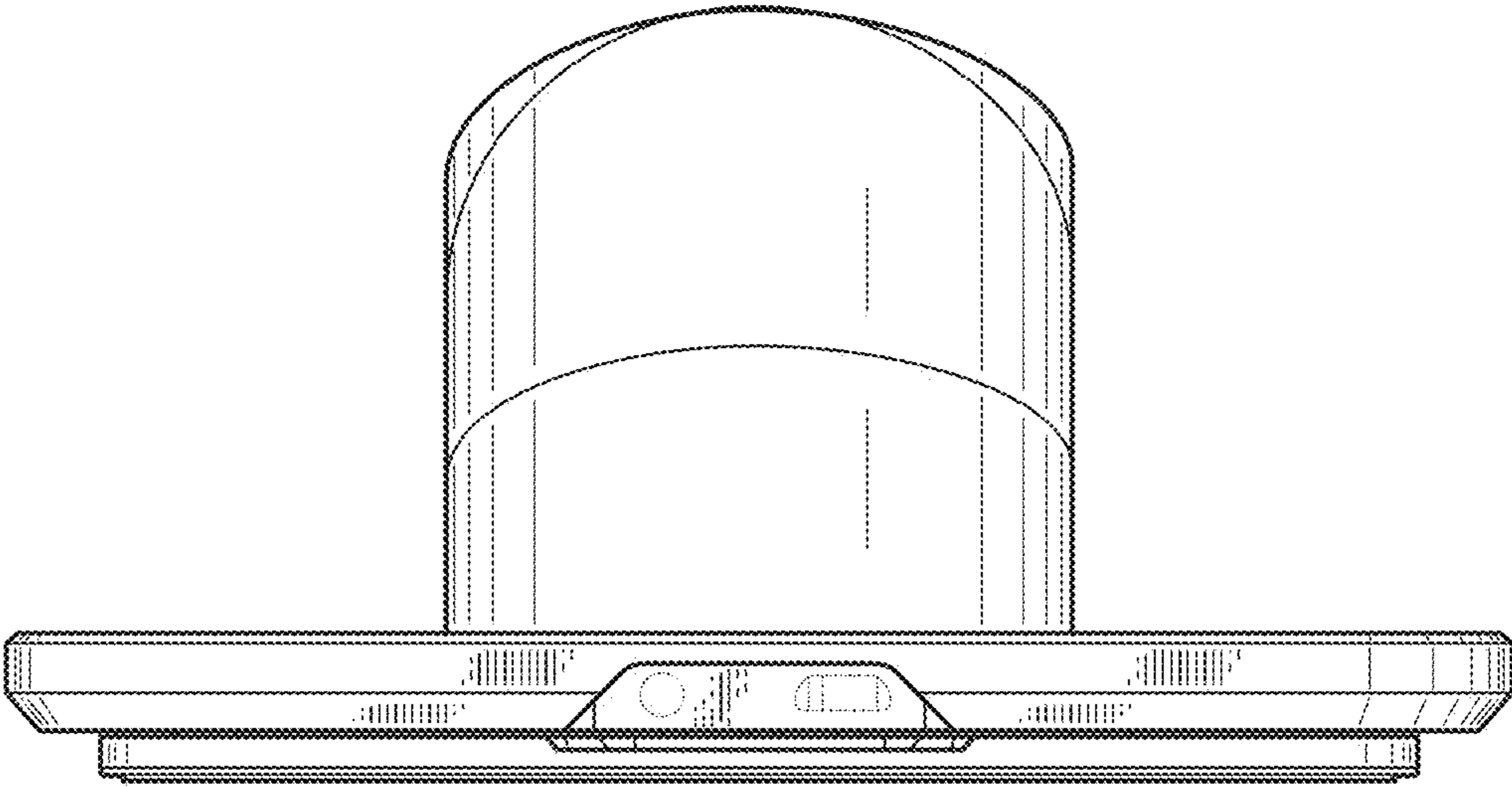


FIG. 14

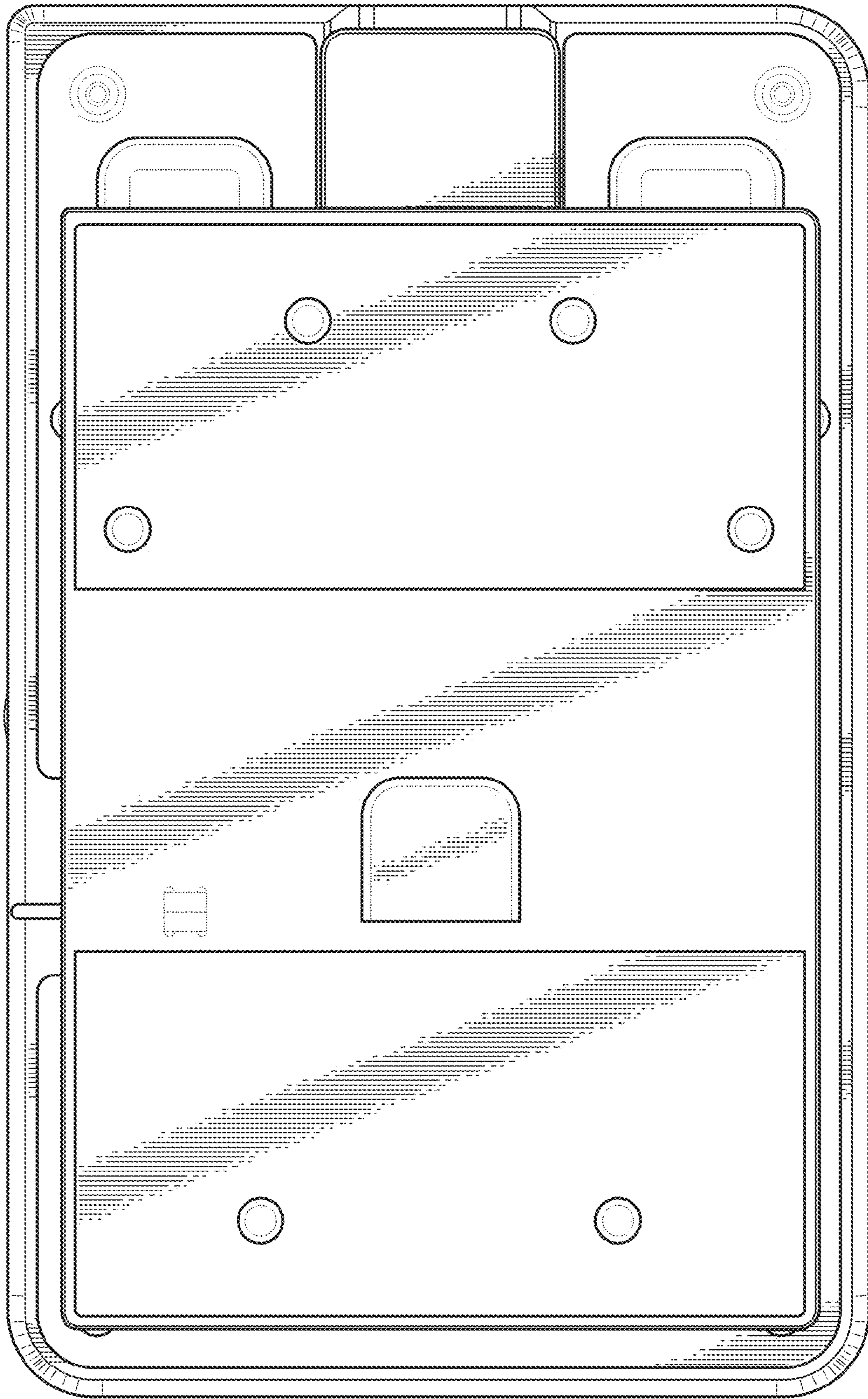


FIG. 15