



US00D761349S

(12) **United States Design Patent**  
**Fisher**

(10) **Patent No.:** **US D761,349 S**  
(45) **Date of Patent:** **\*\* Jul. 12, 2016**

- (54) **GUITAR PEDAL**
- (71) Applicant: **Michael Alan Fisher**, Salem, OR (US)
- (72) Inventor: **Michael Alan Fisher**, Salem, OR (US)
- (\*\*) Term: **14 Years**
- (21) Appl. No.: **29/519,790**
- (22) Filed: **Mar. 8, 2015**
- (51) **LOC (10) Cl.** ..... **17-03**
- (52) **U.S. Cl.**  
USPC ..... **D17/20**
- (58) **Field of Classification Search**  
USPC ..... D28/7; D6/582, 583, 585, 592, 595,  
D6/596, 597, 601, 602, 603, 606, 608, 610,  
D6/617; D17/4, 9, 12, 13, 14, 15, 16, 17,  
D17/18, 19, 20, 21, 22, 23, 24, 99;  
D21/586; D14/356; D10/93, 104.1,  
D10/108, 114  
CPC ..... A47G 9/00; B60N 2/00; G10D 3/18;  
G10D 3/043; G10D 1/08; G10H 1/02; G10H  
1/0091; G10H 1/32; H01R 13/5213; B60Q  
1/04; B60Q 1/26  
See application file for complete search history.

- D455,774 S \* 4/2002 Senda ..... D17/22
- D457,196 S \* 5/2002 Yamazaki ..... D21/405
- D474,761 S \* 5/2003 Zhang ..... D14/193
- D477,371 S \* 7/2003 Niu ..... D17/22
- 6,586,666 B2 \* 7/2003 Abe ..... G10H 1/0016  
84/411 R
- D502,495 S \* 3/2005 Park ..... D17/20
- D510,380 S \* 10/2005 Adam ..... D17/1
- D518,086 S \* 3/2006 Ito ..... D17/99
- D521,049 S \* 5/2006 Aluisi ..... D17/22
- D535,321 S \* 1/2007 Butler ..... D17/20
- D561,239 S \* 2/2008 Nakao ..... D17/22
- D561,819 S \* 2/2008 Kachikian ..... D17/99
- D563,179 S \* 3/2008 Minidis ..... D7/688
- D563,459 S \* 3/2008 Iwai ..... D17/99
- D580,167 S \* 11/2008 Jones ..... D3/267
- 7,557,285 B2 \* 7/2009 Ward ..... G10D 3/043  
84/315
- D605,638 S \* 12/2009 Vasilkov ..... D14/225
- D606,045 S \* 12/2009 Skillings ..... D14/217
- D630,616 S \* 1/2011 Vex ..... D14/217
- D636,394 S \* 4/2011 Burke ..... D14/400
- D663,352 S \* 7/2012 Park ..... D17/22
- D669,117 S \* 10/2012 de Neufville ..... D17/20

(Continued)

**OTHER PUBLICATIONS**

Ring of purple LED lights, image post date Nov. 22, 2013, site visited Mar. 21, 2016, (online), <<https://www.tineye.com/search/3d8bdd93930a1c7ad55f99ce4fb26873b10c60aa/>>.\*

(Continued)

(56) **References Cited**

**U.S. PATENT DOCUMENTS**

- 745,557 A \* 12/1903 Baker ..... G10D 3/00  
84/315
- 2,669,151 A \* 2/1954 Maccaferri ..... G10D 3/08  
84/317
- 4,545,282 A \* 10/1985 Arnett ..... G10D 3/08  
84/317
- D297,945 S \* 10/1988 Seiler ..... D17/22
- D298,951 S \* 12/1988 Benson ..... D17/22
- D319,249 S \* 8/1991 Aluisi ..... D17/22
- D359,063 S \* 6/1995 Falk ..... D17/99
- D367,211 S \* 2/1996 Cautereels ..... D3/294
- D378,683 S \* 4/1997 Ridinger ..... D10/102
- D421,621 S \* 3/2000 Cooper ..... 84/454
- D444,460 S \* 7/2001 Kitazawa ..... D14/217

*Primary Examiner* — Kevin Rudzinski

*Assistant Examiner* — Sean D Lough

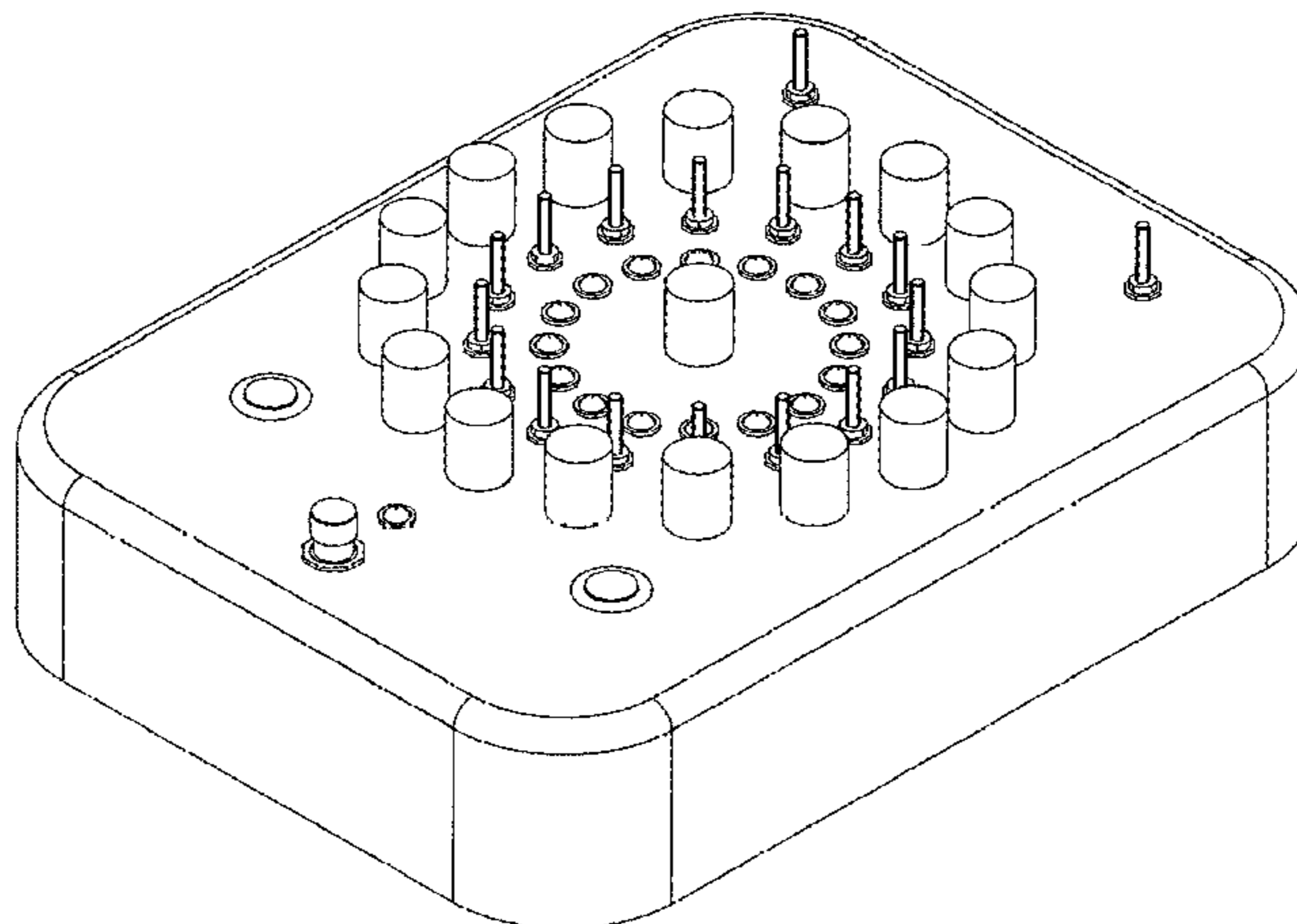
(57) **CLAIM**

The ornamental design for a guitar pedal, as shown and described.

**DESCRIPTION**

The single FIGURE is a perspective view showing my new design of the guitar pedal.

**1 Claim, 1 Drawing Sheet**



(56)

**References Cited**

U.S. PATENT DOCUMENTS

D682,346 S \* 5/2013 Bogdan ..... D17/20  
 D685,021 S \* 6/2013 Ridinger ..... D17/20  
 D687,105 S \* 7/2013 Menting ..... D21/386  
 D687,883 S \* 8/2013 Ando ..... D17/20  
 8,618,389 B2 \* 12/2013 Ryan ..... G10D 3/043  
 84/317  
 D706,230 S \* 6/2014 McMillen ..... D13/164  
 D711,964 S \* 8/2014 Inagaki ..... D17/22  
 D715,267 S \* 10/2014 Tschetter ..... D14/217  
 D725,179 S \* 3/2015 Uesugi ..... D17/99  
 D731,585 S \* 6/2015 Reiver ..... D17/20  
 D735,146 S \* 7/2015 Sawada ..... D13/167  
 D737,891 S \* 9/2015 Naylor ..... D17/20  
 D740,237 S \* 10/2015 Inagaki ..... D13/174  
 D741,415 S \* 10/2015 Masalin ..... D21/532  
 D751,442 S \* 3/2016 Lv ..... D10/114.4

2008/0288073 A1\* 11/2008 Renganath ..... A61F 2/4455  
 623/17.12  
 2012/0241301 A1\* 9/2012 Chiba ..... H01H 23/145  
 200/511  
 2013/0319210 A1\* 12/2013 Yoshida ..... G10H 1/34  
 84/745  
 2014/0318940 A1\* 10/2014 Mahle ..... G04F 3/025  
 200/33 R

OTHER PUBLICATIONS

VFE Alpha Dog Distortion Guitar Effects Pedal, image post date 2007, site visited Mar. 21, 2016, (online), <<http://www.soundscheapmusic.com/product/vfe-alpha-dog-distortion-guitar-effects-pedal>>.\*  
 Boomerang E-155 Delay-Chorus with Wampler Paisley Overdrive Pedal, image post date 2012, site visited Mar. 21, 2016, (online), <<https://www.youtube.com/watch?v=SlSolw93Fnw>>.\*

\* cited by examiner

