



US00D761343S

(12) **United States Design Patent**
Schmidt et al.

(10) **Patent No.:** **US D761,343 S**
(45) **Date of Patent:** **** Jul. 12, 2016**

(54) **CYLINDRICAL CAMERA PAN AND TILT BASE**

(71) Applicant: **LYVE MINDS, INC.**, Cupertino, CA (US)

(72) Inventors: **Peter O. Schmidt**, San Jose, CA (US);
Jon Norton, Menlo Parl, CA (US);
David Hoenig, Cupertino, CA (US)

(73) Assignee: **LYVE MINDS, INC.**, Cupertino, CA (US)

(**) Term: **15 Years**

(21) Appl. No.: **29/528,134**

(22) Filed: **May 26, 2015**

(51) **LOC (10) Cl.** **16-05**

(52) **U.S. Cl.**
USPC **D16/242; D16/202**

(58) **Field of Classification Search**
USPC D16/200, 202–205, 208, 214, 218, 219,
D16/235, 237, 242–245; D14/432, 434;
248/176.1, 187.1; 348/143, 148, 151,
348/373–376; 396/419, 427, 535, 539–541
CPC G03B 17/02; G03B 19/04; G03B 17/56;
G03B 17/04; G03B 15/03; H04N 5/2251;
H04N 5/2252; H04N 5/2253; H04N 5/2254;
H04N 7/181; H04N 7/183; H04N 7/18;
G08B 13/1963; G08B 13/19619; G08B
13/19632

See application file for complete search history.

(56) **References Cited**

U.S. PATENT DOCUMENTS

D364,632 S * 11/1995 Nakashima D16/202
D469,457 S * 1/2003 Nakaigawa D16/242
D471,578 S * 3/2003 Okuley D13/108
D485,234 S * 1/2004 Katayama D13/108
D518,080 S * 3/2006 Uehara D16/202
7,217,045 B2 * 5/2007 Jones G08B 13/1963
348/373
D545,860 S * 7/2007 Miyazaki D16/202

D553,662 S * 10/2007 Grotto D16/242
D558,208 S * 12/2007 Ikeda D14/434
D562,870 S * 2/2008 Komatsu D16/203
D666,662 S * 9/2012 Runnals D16/242
D727,395 S * 4/2015 Choi D16/242
D742,954 S * 11/2015 Simonelli D16/203

* cited by examiner

Primary Examiner — Susan E Krakower

Assistant Examiner — Ramzi Almatrahi

(74) *Attorney, Agent, or Firm* — Maschoff Brennan

(57) **CLAIM**

The ornamental design for a cylindrical camera pan and tilt base, as shown and described.

DESCRIPTION

FIG. 1 is a top, front and right side perspective view of a cylindrical camera pan and tilt base, shown in condition of use with an unclaimed cylindrical camera body;

FIG. 2 is a top, front and right side perspective view of a cylindrical camera pan and tilt base;

FIG. 3 is a bottom, back and left side perspective view thereof;

FIG. 4 is a front elevation view thereof;

FIG. 5 is a rear elevation view thereof;

FIG. 6 is a left side elevation view thereof;

FIG. 7 is a right side elevation view thereof;

FIG. 8 is a top plan view thereof;

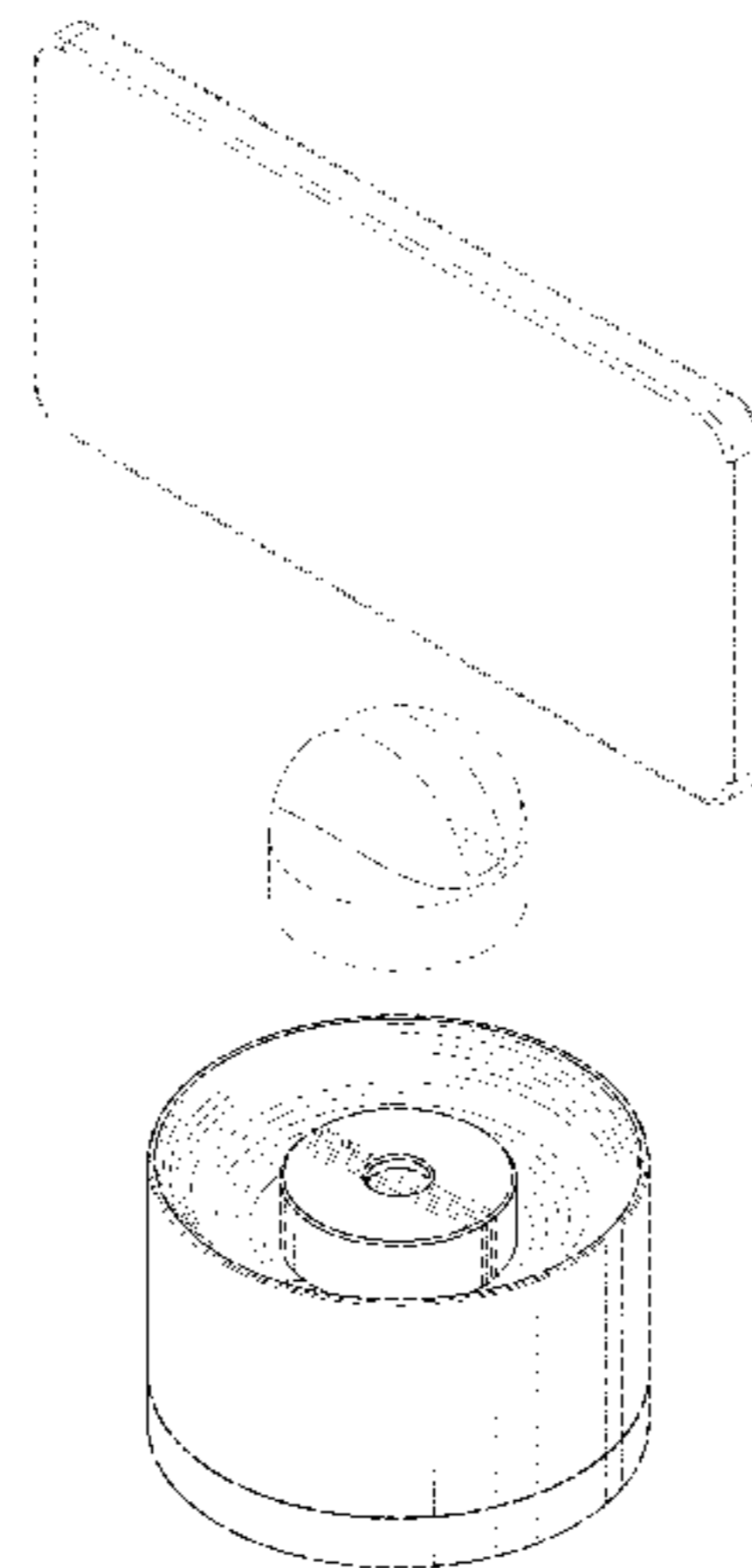
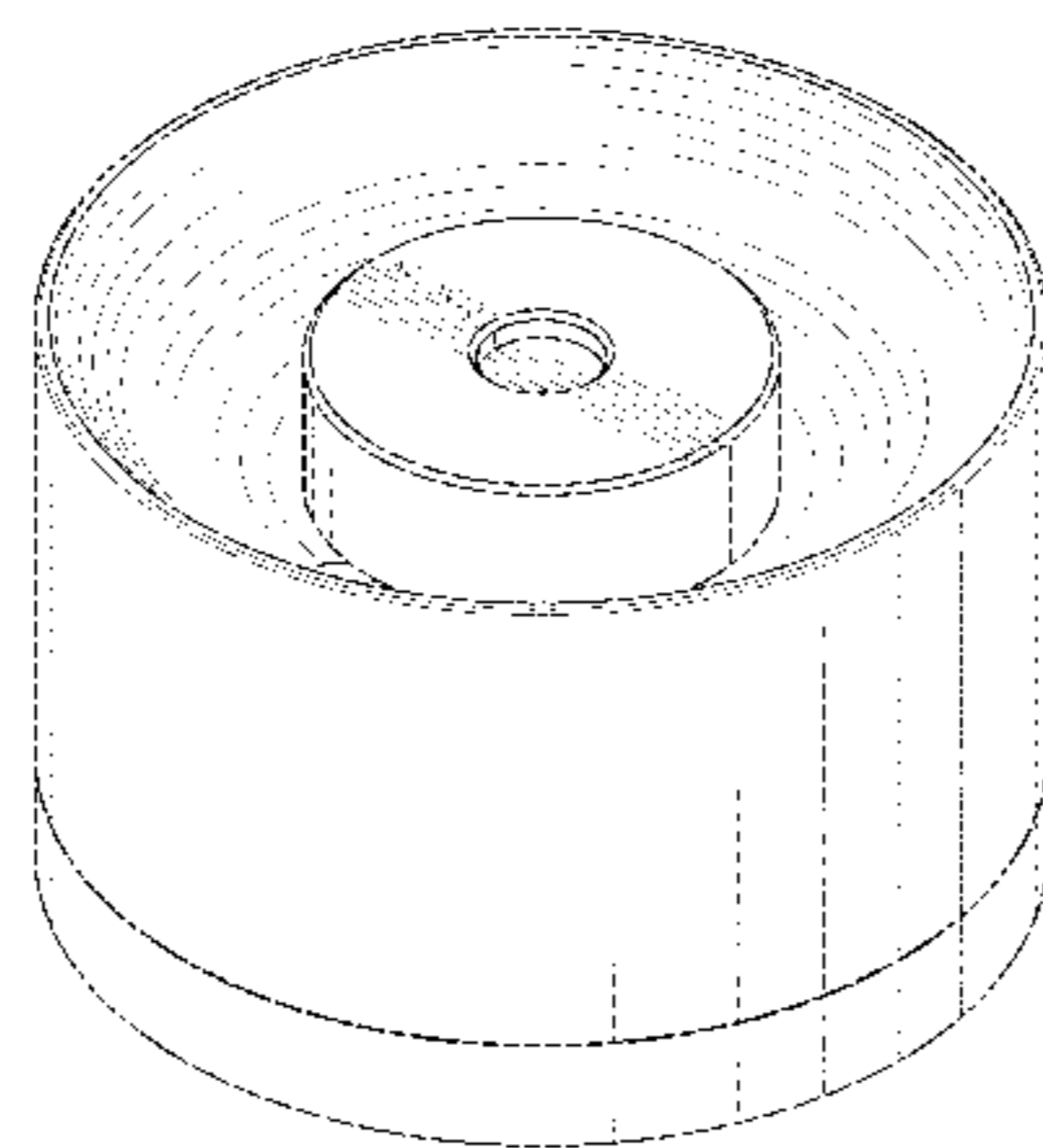
FIG. 9 is a bottom plan view thereof;

FIG. 10 is a reduced exploded top, front and right side perspective view of a cylindrical camera pan and tilt base, shown in condition of use with an unclaimed smart device and adapter; and,

FIG. 11 is a reduced top, front and right side perspective view of a cylindrical camera pan and tilt base, shown in condition of use with an unclaimed smart device and adapter.

The broken lines depict portions of a cylindrical camera pan and tilt base in which the design is embodied and form no part of the claimed design. The broken lines in FIGS. 1, 10 and 11 depicting a cylindrical camera body, smart device and adapter are included for the purpose of illustrating environmental subject matter and form no part of the claimed design.

1 Claim, 9 Drawing Sheets



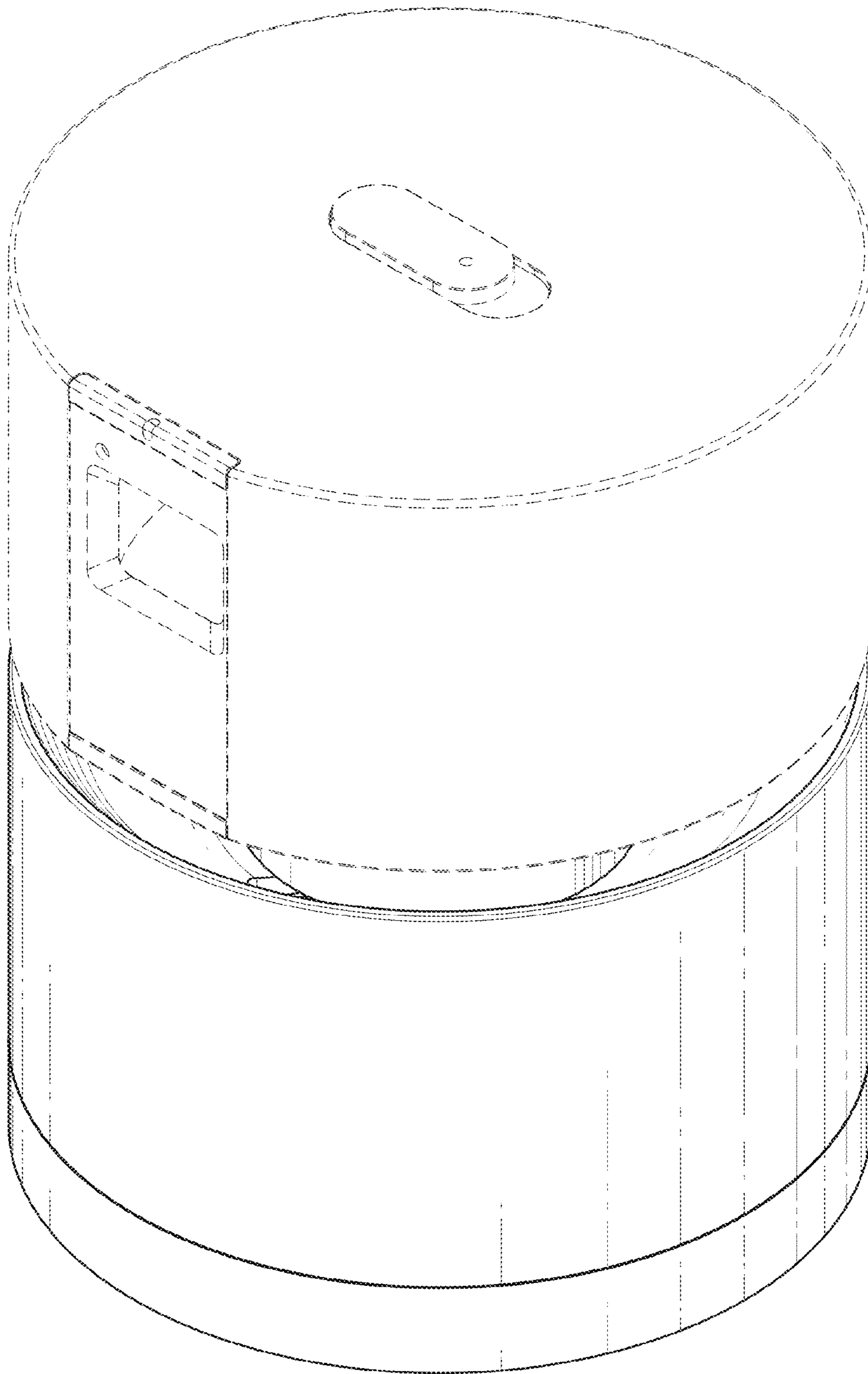


Fig. 1

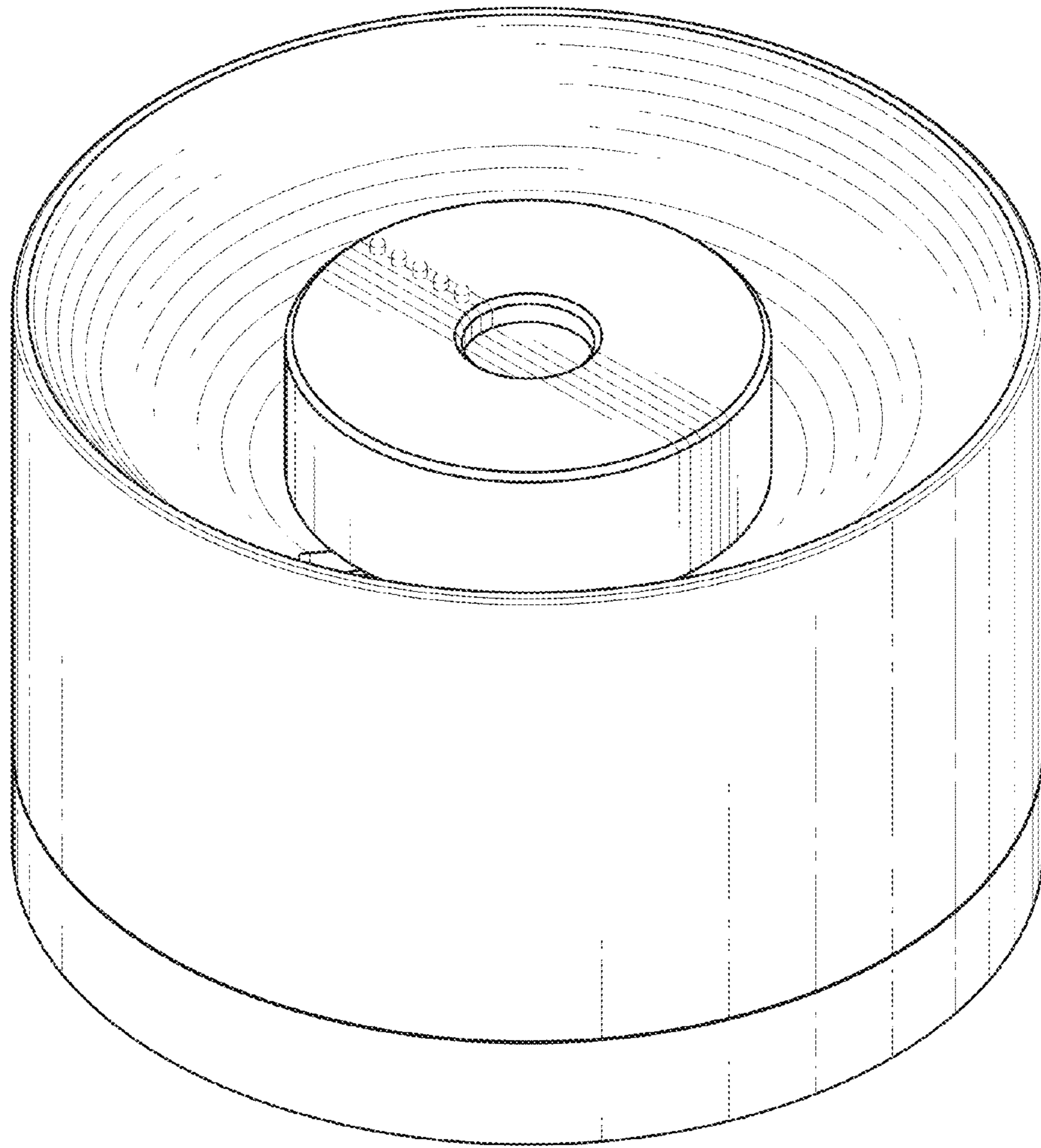


Fig. 2

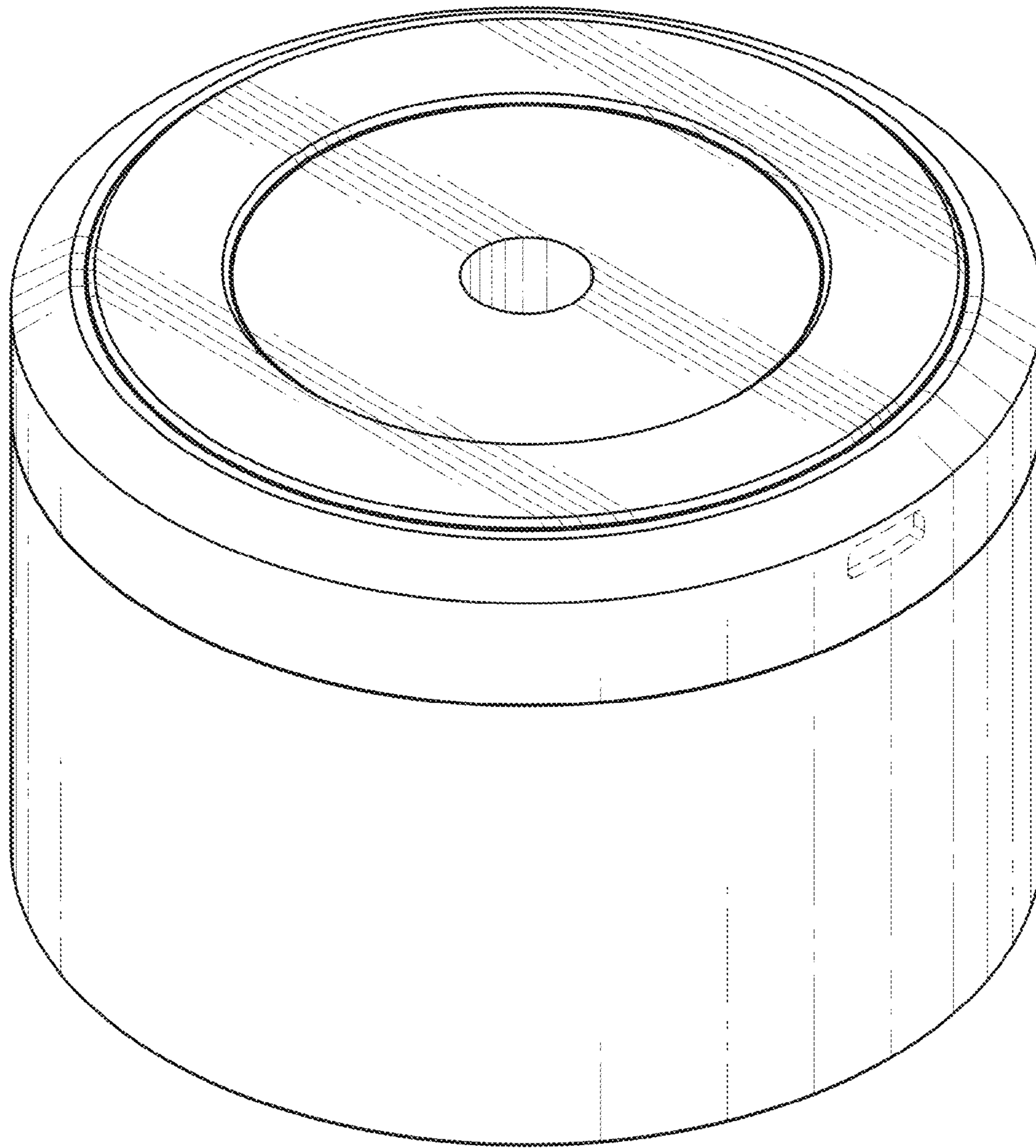


Fig. 3

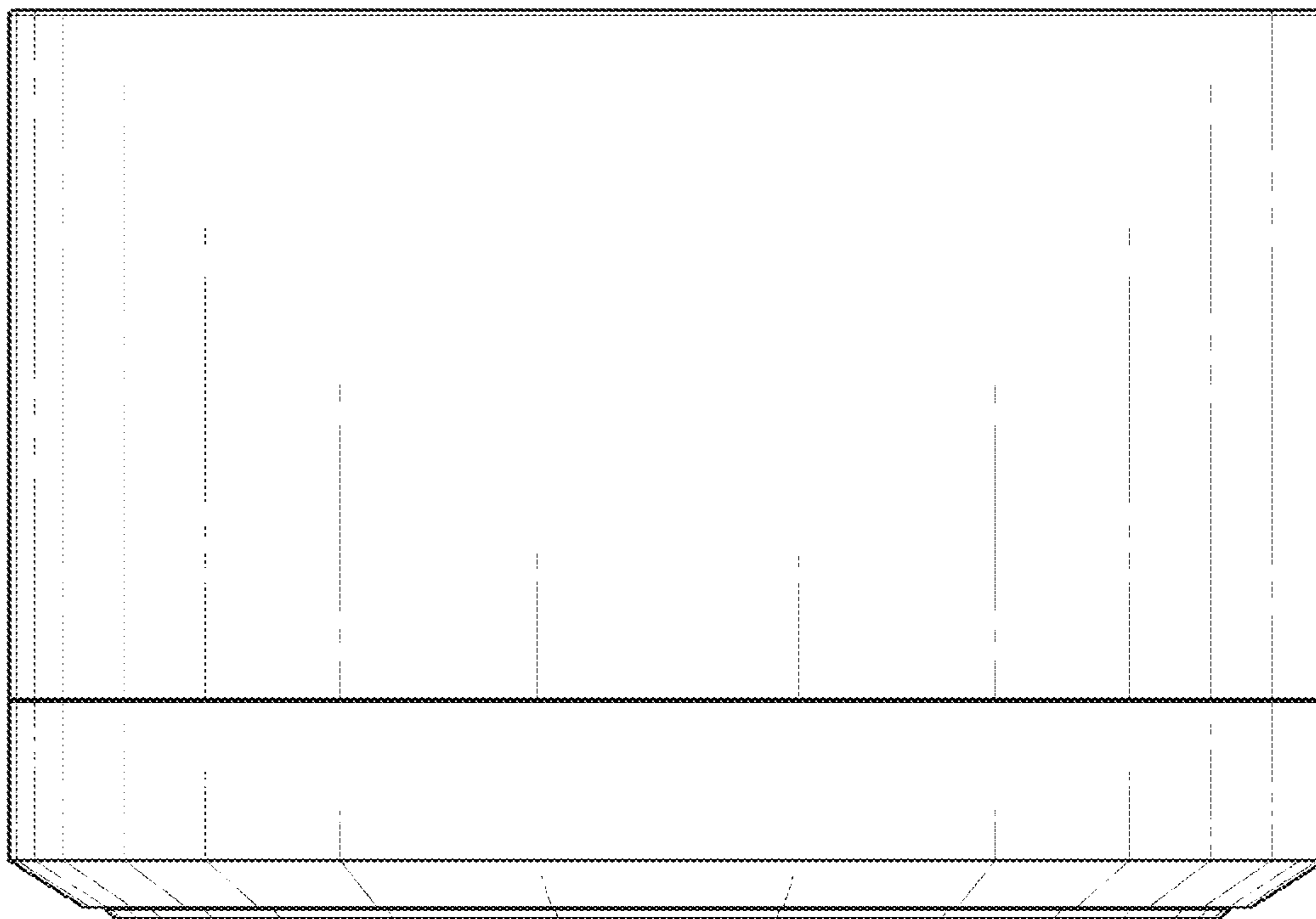


Fig. 4

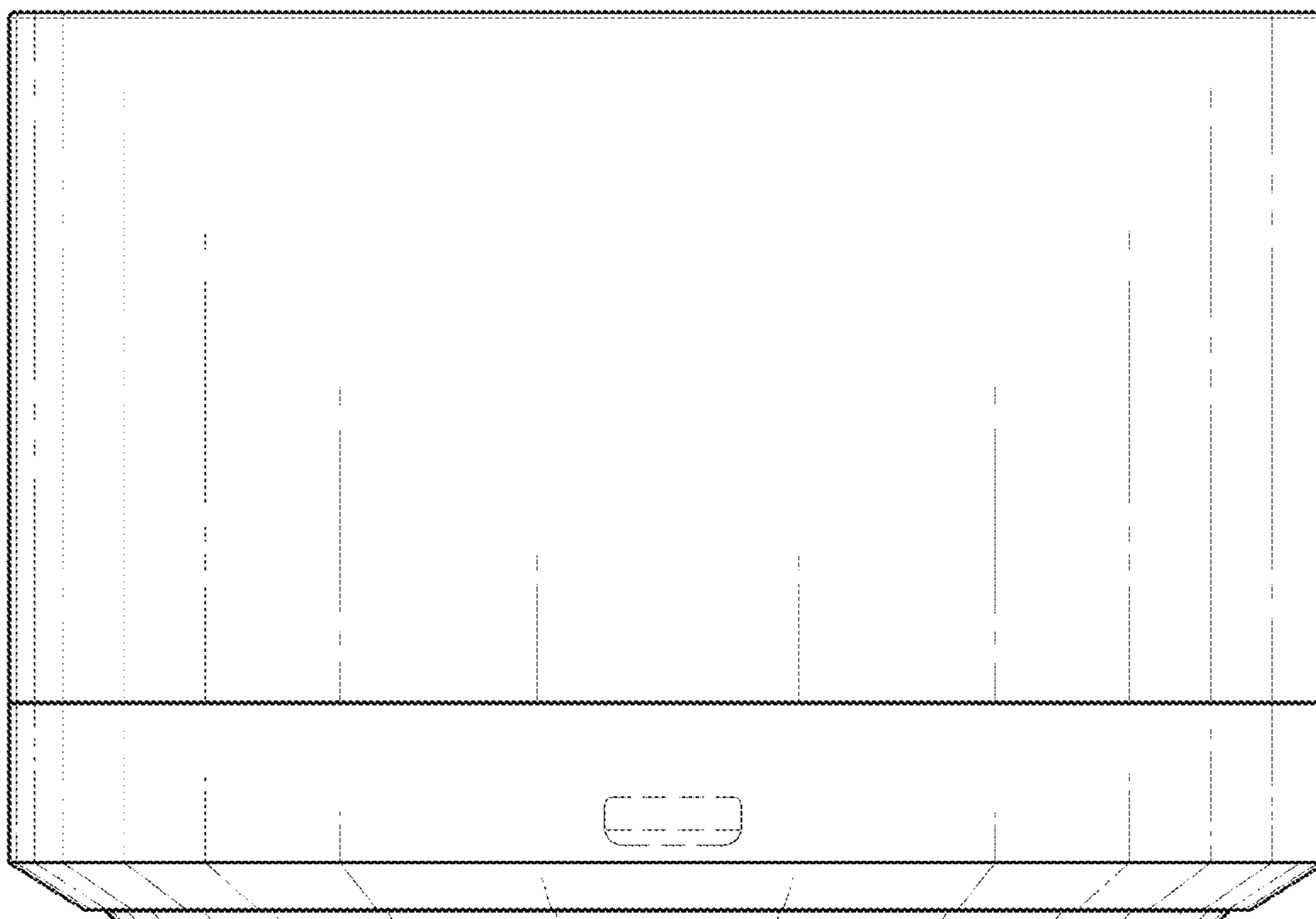


Fig. 5

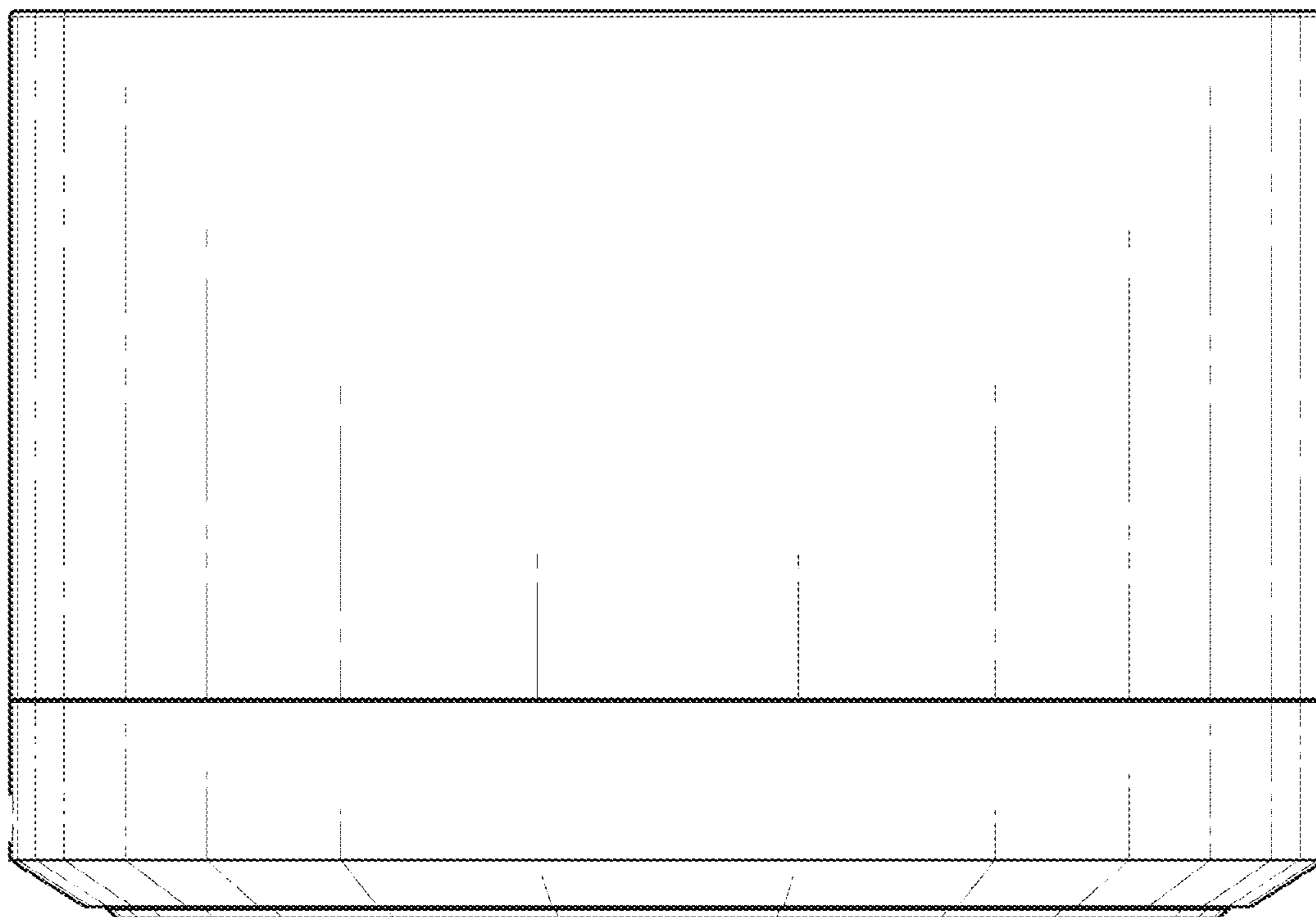


Fig. 6

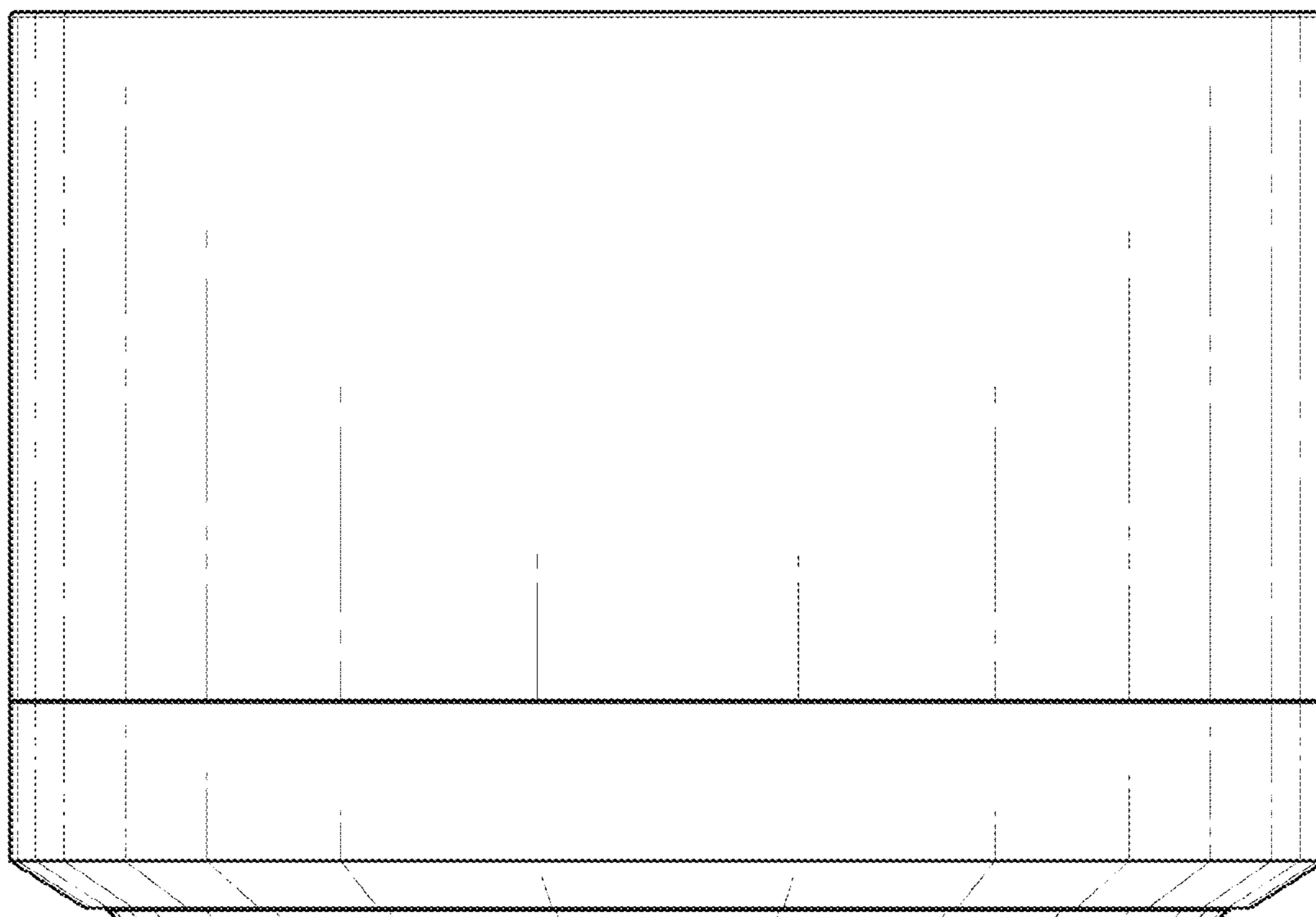


Fig. 7

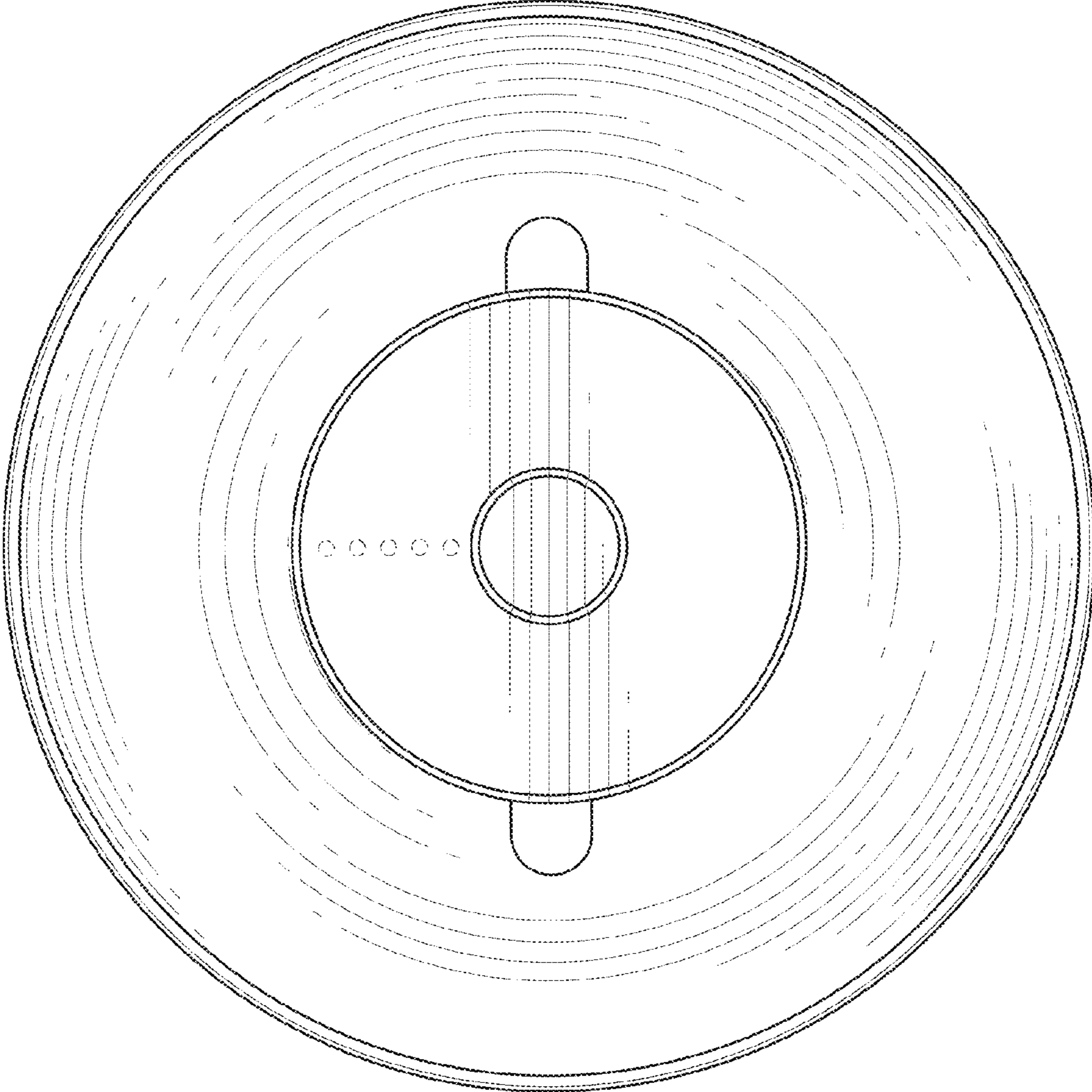


Fig. 8

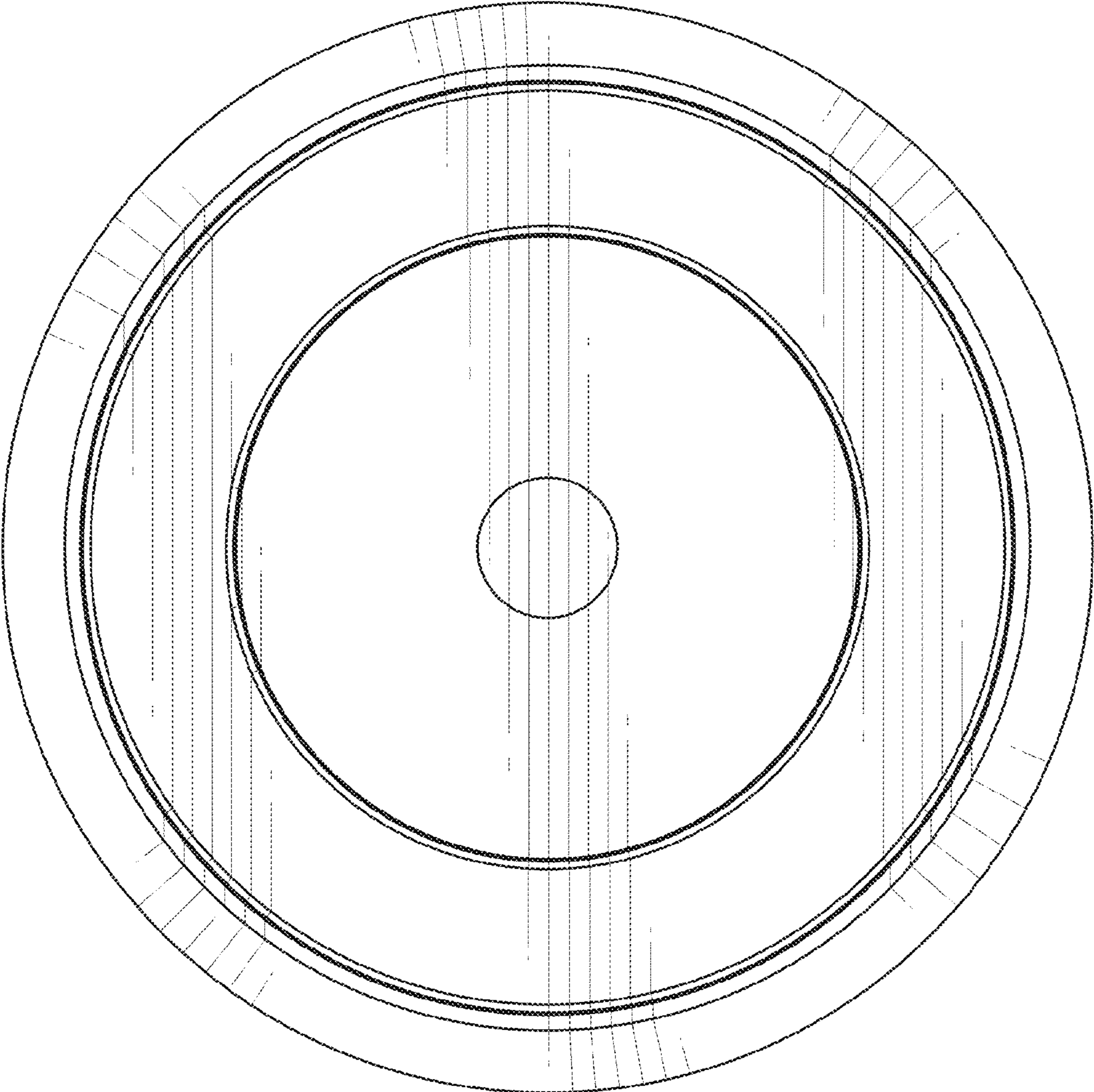


Fig. 9

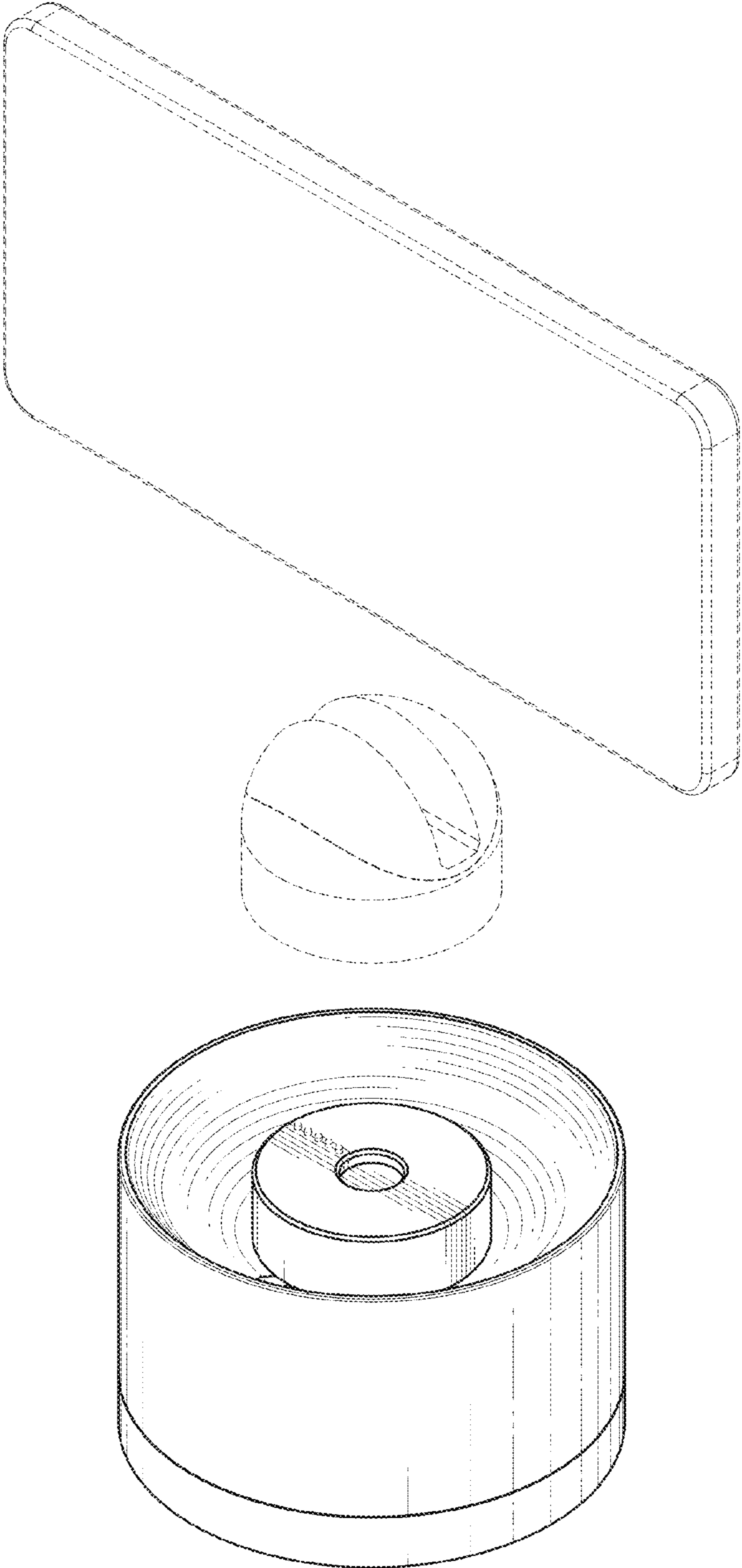


Fig. 10

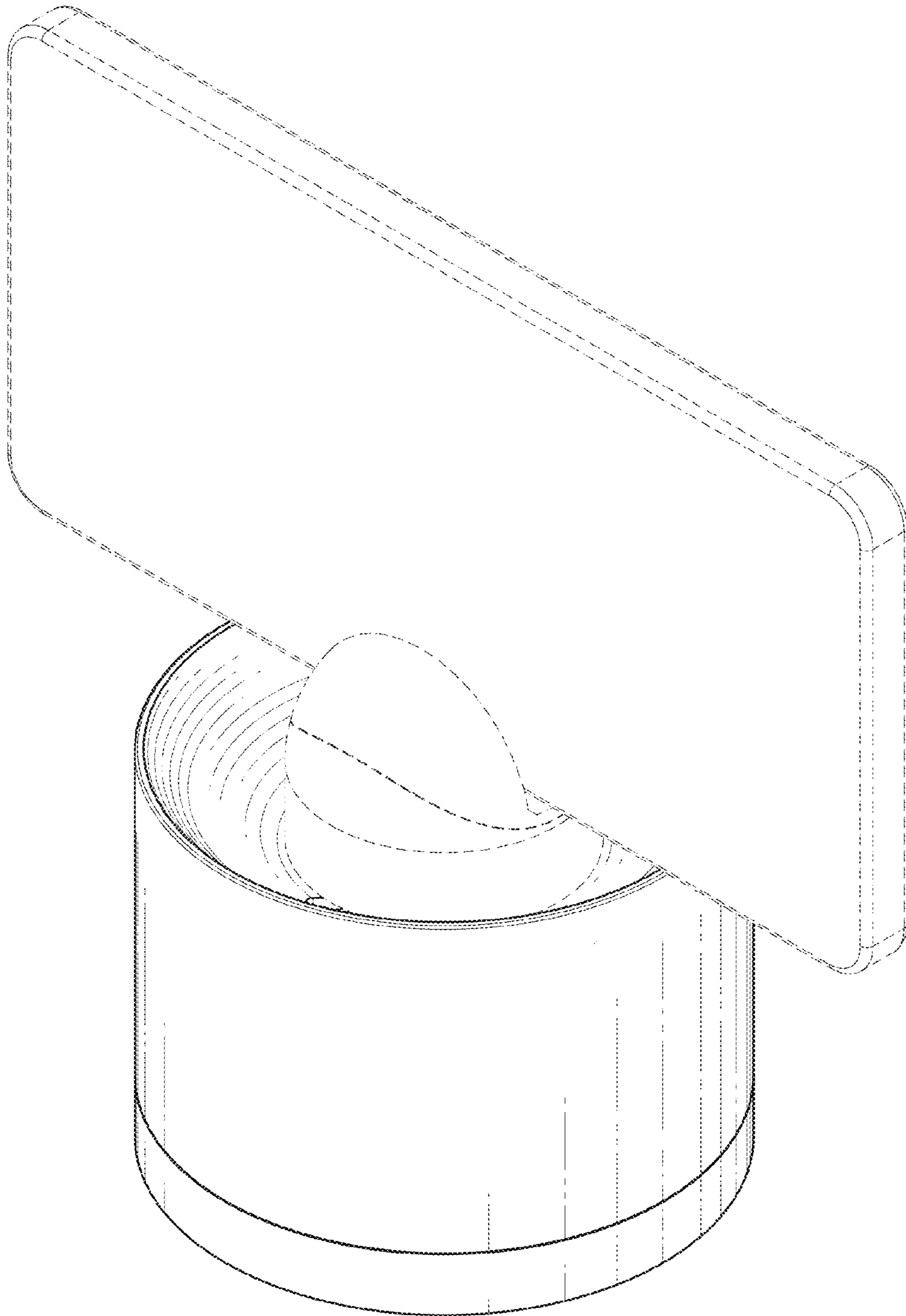


Fig. 11