



US00D761342S

(12) **United States Design Patent**
Kim

(10) **Patent No.:** **US D761,342 S**
(45) **Date of Patent:** **** Jul. 12, 2016**

(54) **LIGHT BULB TYPE VIDEO CAMERA**
(71) Applicant: **TOVNET CO., LTD.**, Seoul (KR)
(72) Inventor: **Chan Young Kim**, Seoul (KR)
(73) Assignee: **TOVNET CO., LTD.**, Seoul (KR)
(**) Term: **15 Years**
(21) Appl. No.: **29/541,367**
(22) Filed: **Oct. 2, 2015**
(51) **LOC (10) Cl.** **16-01**
(52) **U.S. Cl.**
USPC **D16/203**; D26/2
(58) **Field of Classification Search**
USPC D16/200, 202–206, 218, 219, 242;
D26/1–3; 313/315, 318.01; 348/143,
348/148, 151, 373–376; 396/419, 427, 535,
396/539–541
CPC G03B 17/02; G03B 19/04; G03B 17/56;
G03B 17/04; G03B 15/03; H04N 5/2251;
H04N 5/2252; H04N 5/2253; H04N 5/2254;
H04N 7/181; H04N 7/183; H04N 7/18;
G08B 13/1963; G08B 13/19619; G08B
13/19632
See application file for complete search history.

(56) **References Cited**
U.S. PATENT DOCUMENTS
D291,091 S 7/1987 Feinbloom et al.
D435,576 S * 12/2000 McBride D16/203
D435,577 S * 12/2000 McBride D16/203
D470,604 S * 2/2003 Bobel D26/2
6,590,323 B1 * 7/2003 Stekelenburg F21V 23/0442
313/318.01
D487,939 S * 3/2004 Smith D26/2

6,812,970 B1 * 11/2004 McBride G08B 13/19619
348/151
D505,146 S 5/2005 Ou
D640,721 S 6/2011 Satine
D646,801 S * 10/2011 Chou D26/2
D669,202 S * 10/2012 Jin D26/2
8,334,656 B2 * 12/2012 Weiss H05B 37/0245
315/291
D673,988 S * 1/2013 Riegl D16/202
D679,033 S * 3/2013 Dungan D26/2
D688,397 S * 8/2013 Tsai D26/2
D696,711 S 12/2013 Takahashi
D697,240 S * 1/2014 Rupp D26/2
D716,360 S 10/2014 Schechter
D727,543 S * 4/2015 Yang D26/2
D727,544 S * 4/2015 Yang D26/2
D740,873 S * 10/2015 Scalisi D16/203
2011/0156566 A1 * 6/2011 Chen F21V 19/0015
313/46
2015/0077555 A1 * 3/2015 Scalisi H05B 37/0272
348/143

* cited by examiner

Primary Examiner — Susan E Krakower
Assistant Examiner — Ramzi Almatrahi
(74) *Attorney, Agent, or Firm* — IPLA P.A.; James E. Bame

(57) **CLAIM**
The ornamental design for a light bulb type video camera, as shown and described.

DESCRIPTION

FIG. 1 is bottom perspective view of a light bulb type video camera showing my new design;
FIG. 2 is a bottom plan view thereof;
FIG. 3 is a top plan view thereof;
FIG. 4 is a left side elevational view thereof;
FIG. 5 is a right side elevational view thereof;
FIG. 6 is a front elevational view thereof; and,
FIG. 7 is a rear elevational view thereof.

1 Claim, 5 Drawing Sheets

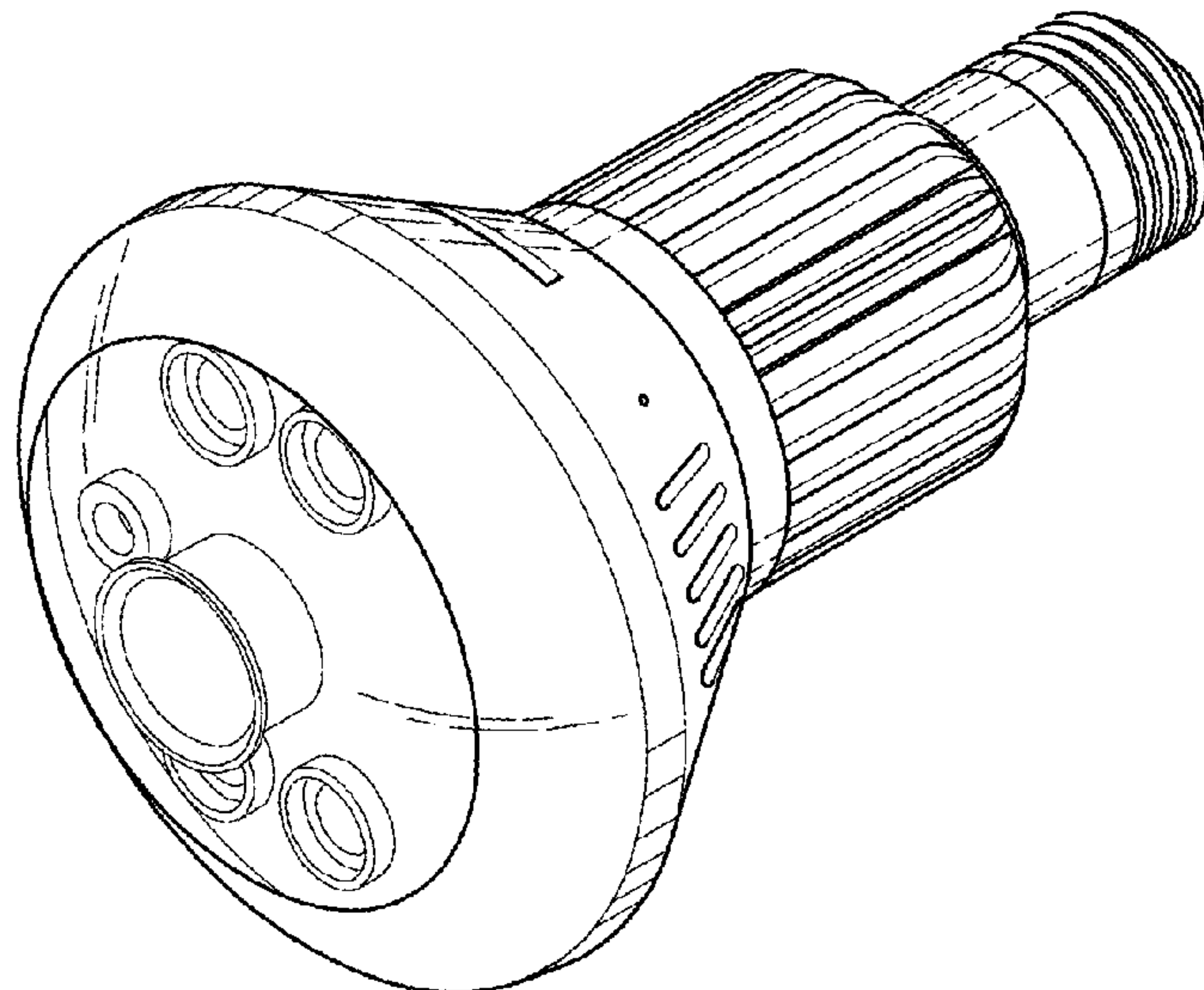


FIG. 1

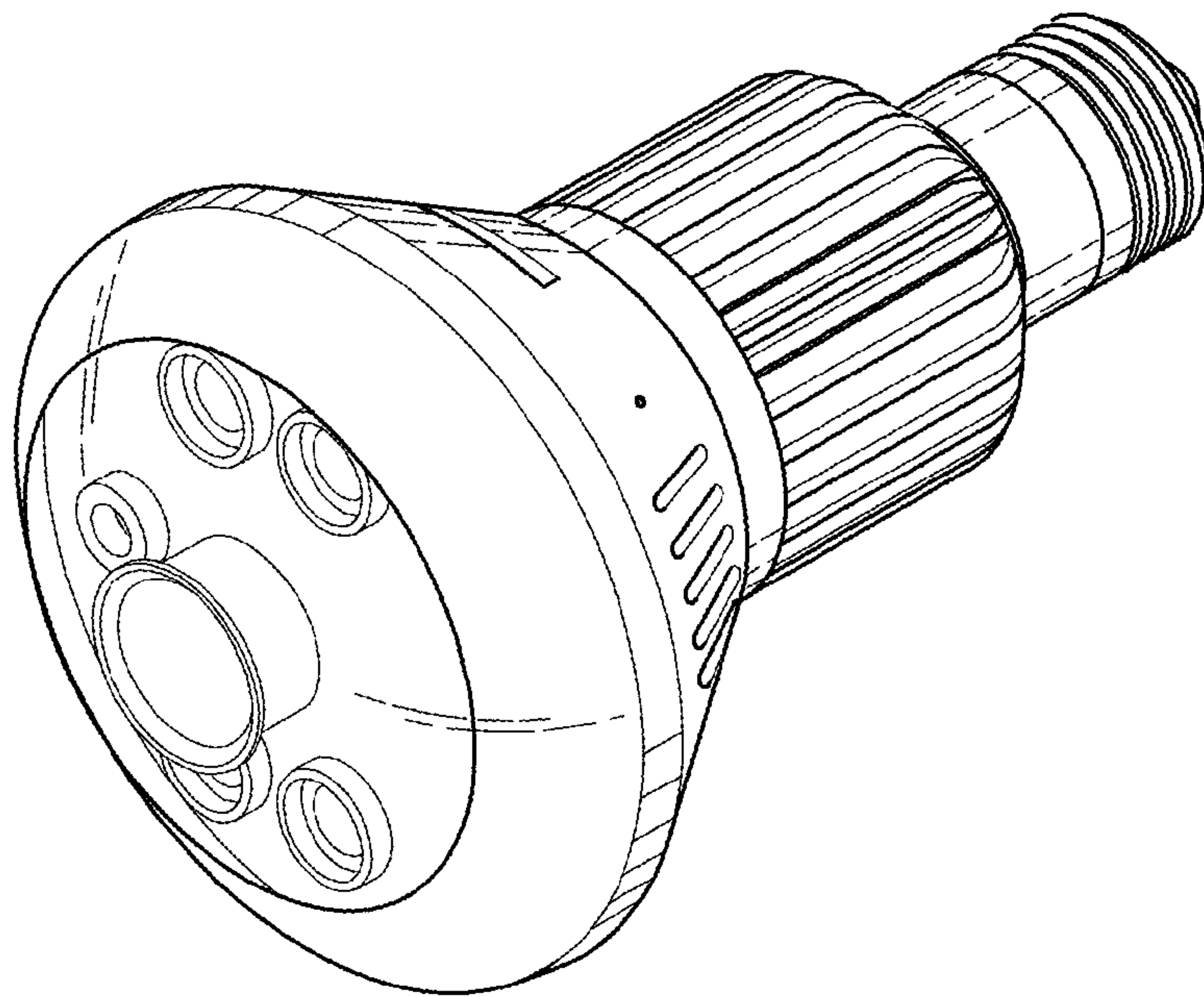


FIG. 2

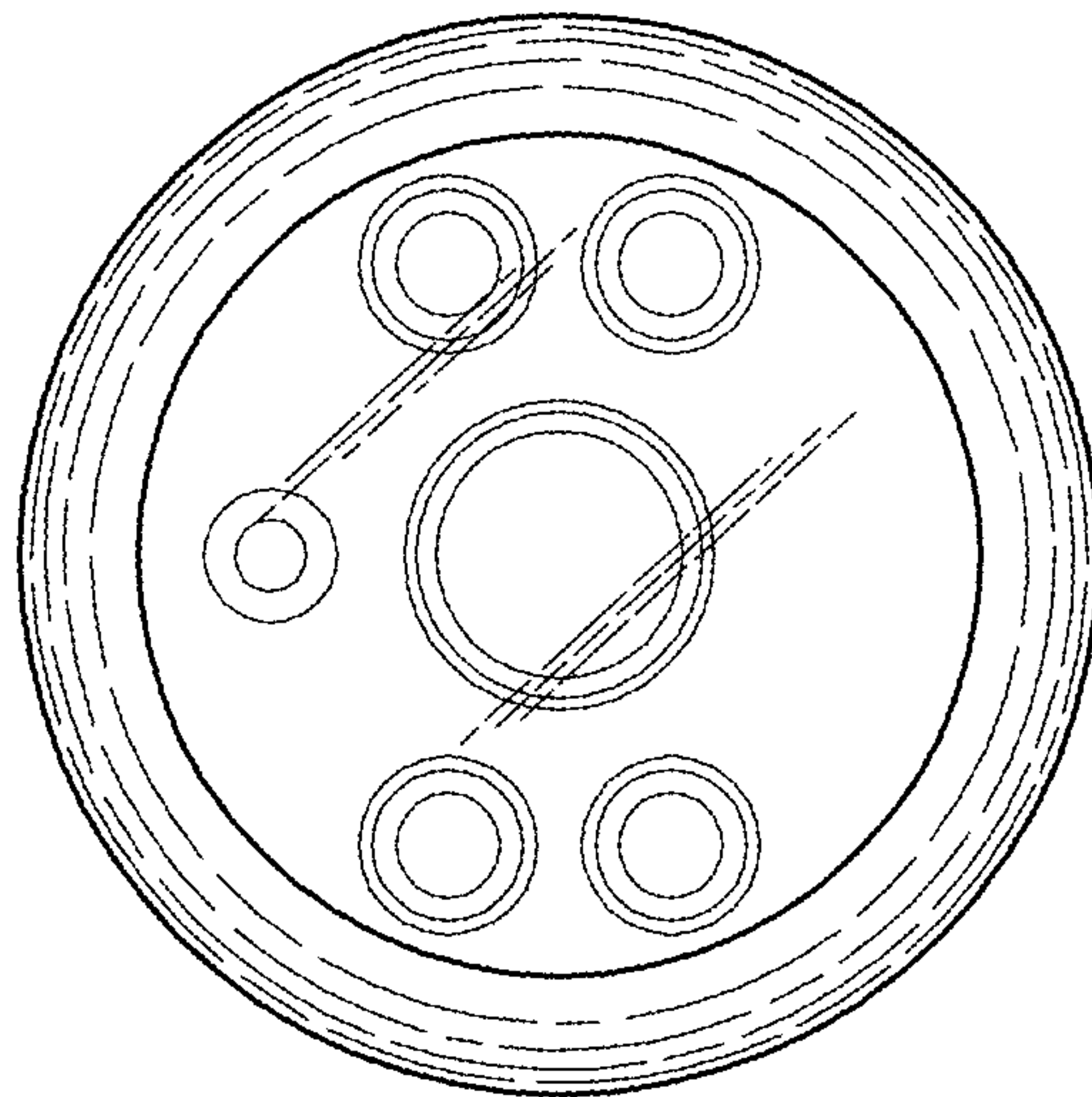


FIG. 3

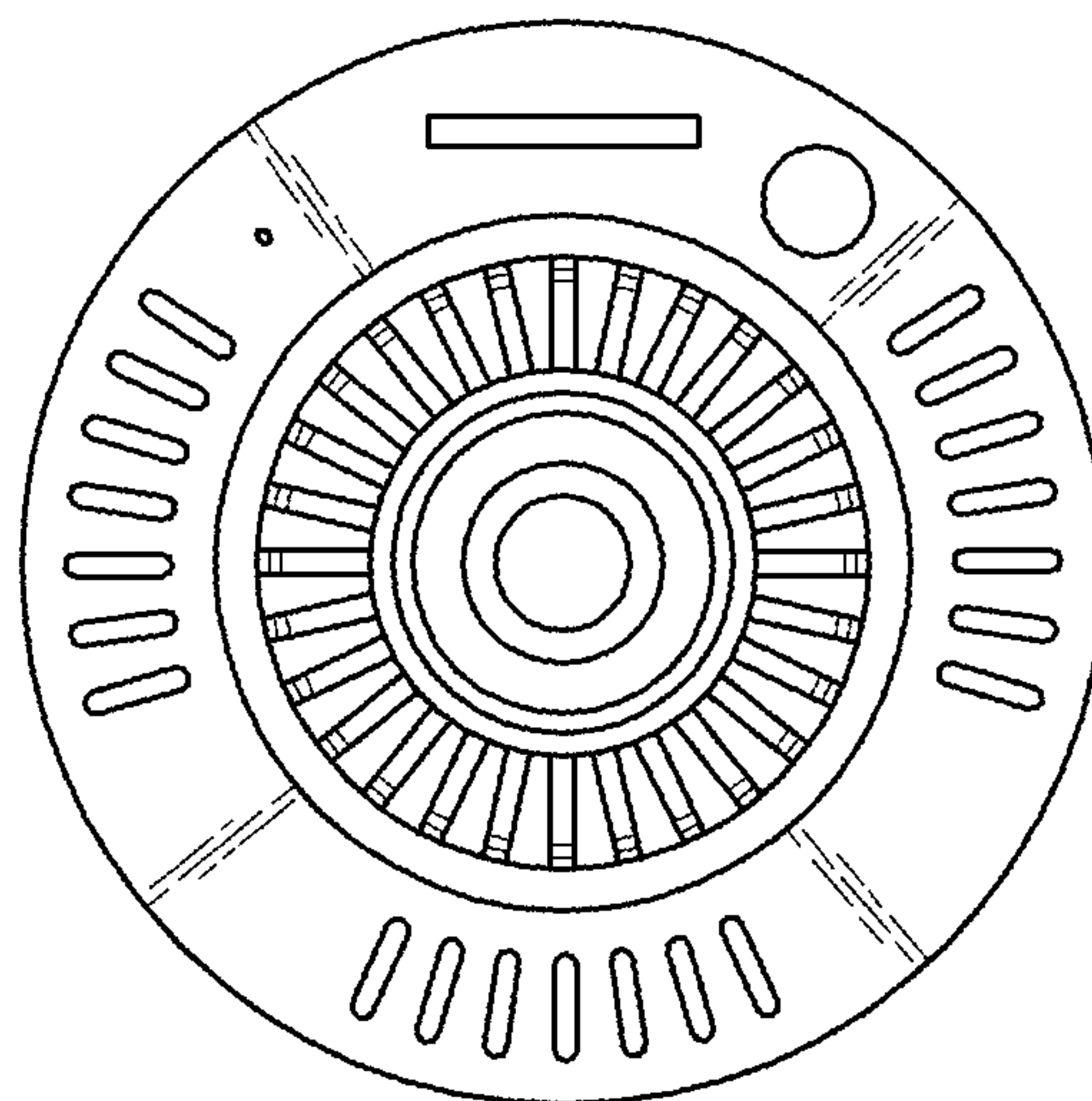


FIG. 4

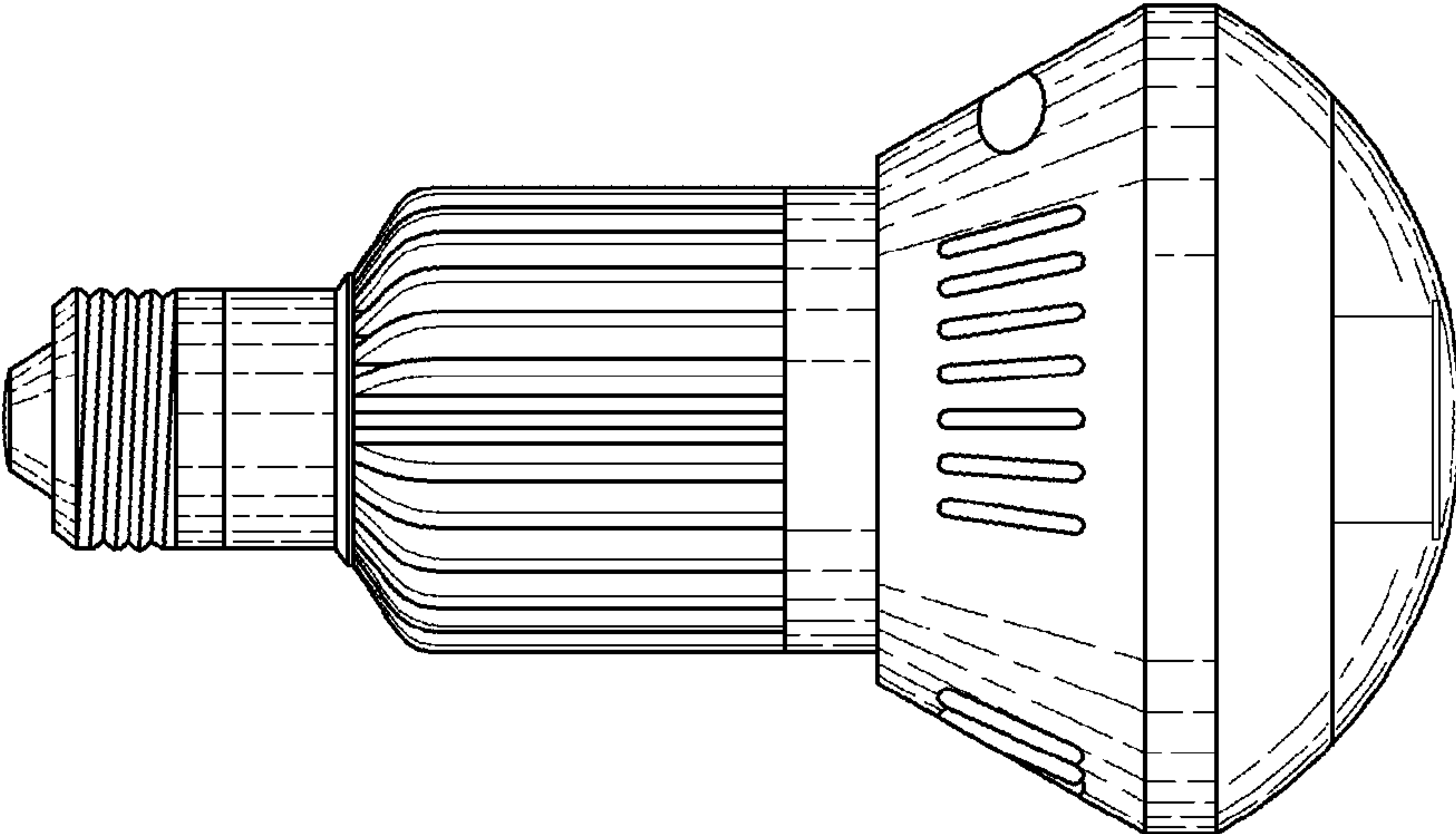


FIG. 5

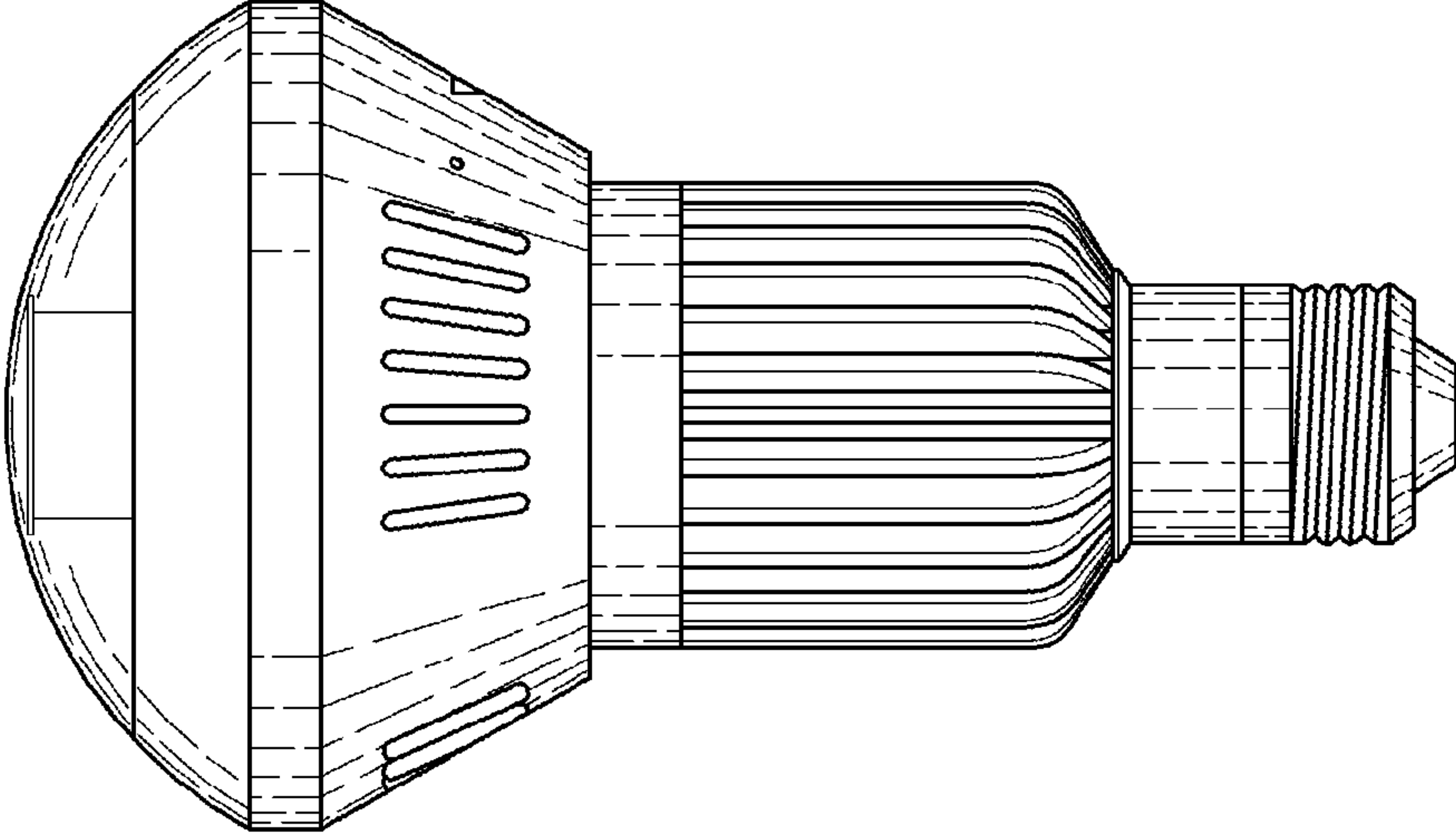


FIG. 6

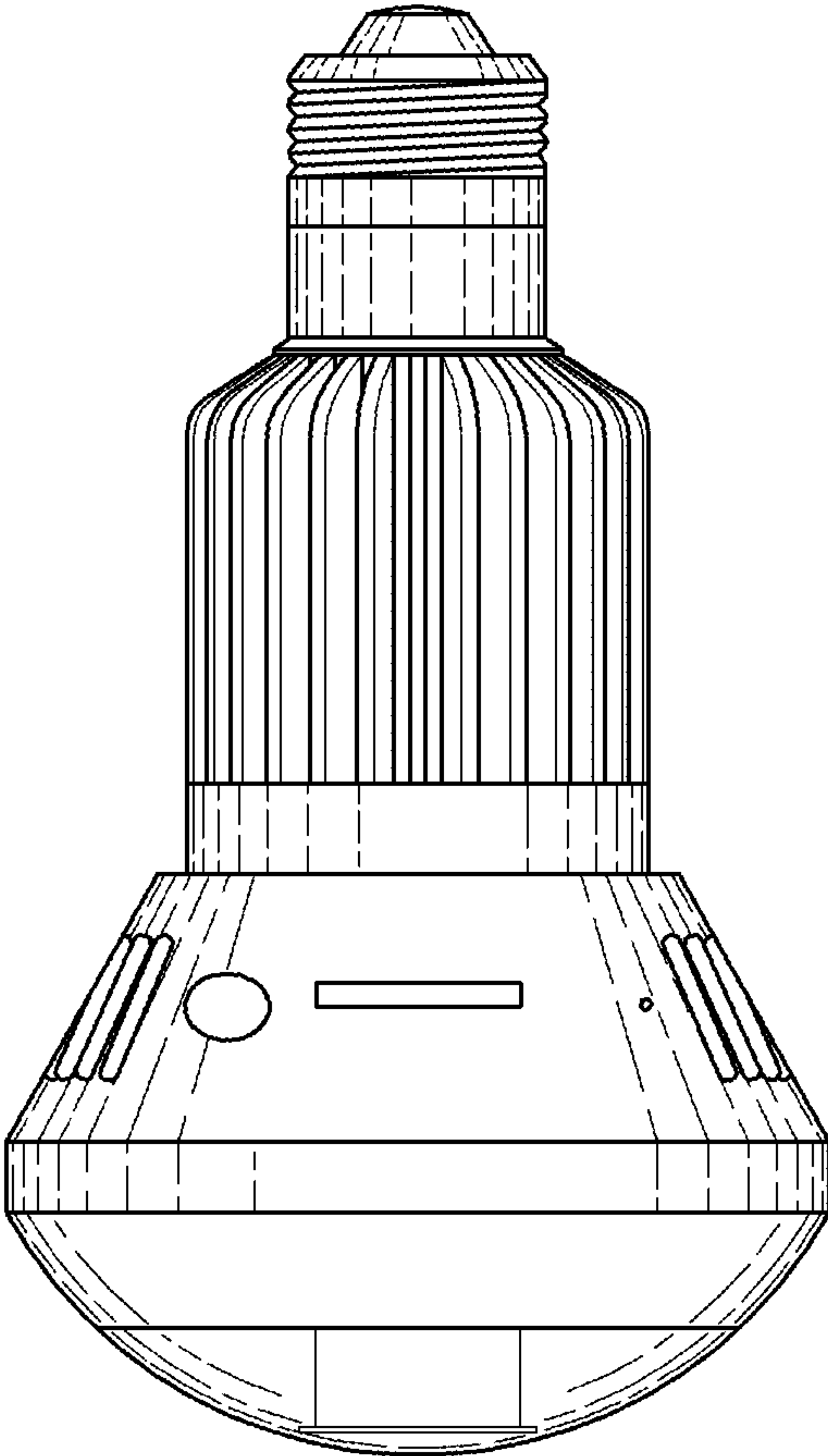


FIG. 7

