



US00D761341S

(12) **United States Design Patent**  
**Katori**

(10) **Patent No.:** **US D761,341 S**  
(45) **Date of Patent:** **\*\* Jul. 12, 2016**

(54) **SURVEILLANCE CAMERA**  
(71) Applicant: **Panasonic Intellectual Property Management Co., Ltd., Osaka (JP)**  
(72) Inventor: **Takehito Katori, Kyoto (JP)**  
(73) Assignee: **Panasonic Intellectual Property Management Co., Ltd., Osaka (JP)**  
(\*\*) Term: **15 Years**  
(21) Appl. No.: **29/530,205**  
(22) Filed: **Jun. 15, 2015**

D561,804 S 2/2008 Asai et al.  
D563,451 S 3/2008 Cheng  
D564,005 S 3/2008 Cheng  
D633,120 S \* 2/2011 Ham ..... D16/203  
D655,328 S \* 3/2012 Anneback ..... D16/203  
D677,297 S \* 3/2013 Bart ..... D16/203  
D688,720 S \* 8/2013 Yilin ..... D16/203  
D701,258 S \* 3/2014 Huang ..... D16/203  
D721,755 S \* 1/2015 Ahman ..... D16/203  
D723,193 S \* 2/2015 Taylor ..... D26/2  
D725,818 S \* 3/2015 Yao ..... D26/118  
D740,870 S \* 10/2015 Park ..... D16/203  
D740,874 S \* 10/2015 Ahman ..... D16/203  
D744,673 S \* 12/2015 Boomgaarden ..... D26/2  
D748,848 S \* 2/2016 Laukkanen ..... D26/118  
D750,683 S \* 3/2016 Bergstrom ..... D16/203  
2012/0106942 A1\* 5/2012 Mukai ..... G03B 37/00  
396/427

(30) **Foreign Application Priority Data**  
Dec. 19, 2014 (JP) ..... 2014-028483  
(51) **LOC (10) Cl.** ..... **16-01**  
(52) **U.S. Cl.**  
USPC ..... **D16/203**  
(58) **Field of Classification Search**  
USPC ..... D16/200, 202–205, 208, 218, 219, 242;  
D26/1, 2, 24, 42, 61, 62, 113, 118, 119,  
D26/124, 123; 348/14.01–14.06, 143, 148,  
348/373–376; 396/419, 427, 535, 539–541  
CPC ..... G03B 17/02; G03B 19/04; G03B 17/56;  
G03B 17/04; G03B 15/03; H04N 5/2251;  
H04N 5/2252; H04N 5/2253; H04N 5/2254;  
H04N 2007/145; H04N 7/141; H04N 7/142;  
H04N 7/147; H04N 7/148; H04N 7/15;  
H04N 7/152  
See application file for complete search history.

\* cited by examiner

*Primary Examiner* — Philip S Hyder  
*Assistant Examiner* — Ramzi Almatrahi  
(74) *Attorney, Agent, or Firm* — PIPM

(56) **References Cited**  
U.S. PATENT DOCUMENTS  
D298,173 S \* 10/1988 Oosterheerd ..... D26/110  
D499,126 S \* 11/2004 Kato ..... D16/203  
D556,236 S \* 11/2007 Kim ..... D16/202

(57) **CLAIM**  
The ornamental design for a surveillance camera, as shown and described.

**DESCRIPTION**

FIG. 1 is a front perspective view of a surveillance camera of the present invention;  
FIG. 2 is a front view thereof;  
FIG. 3 is a first side view thereof;  
FIG. 4 is a second side view thereof;  
FIG. 5 is a rear view thereof;  
FIG. 6 is a top view thereof; and,  
FIG. 7 is a bottom view thereof.  
The broken lines depict portions of the surveillance camera in which the design is embodied that form no part of the claimed design.

**1 Claim, 7 Drawing Sheets**

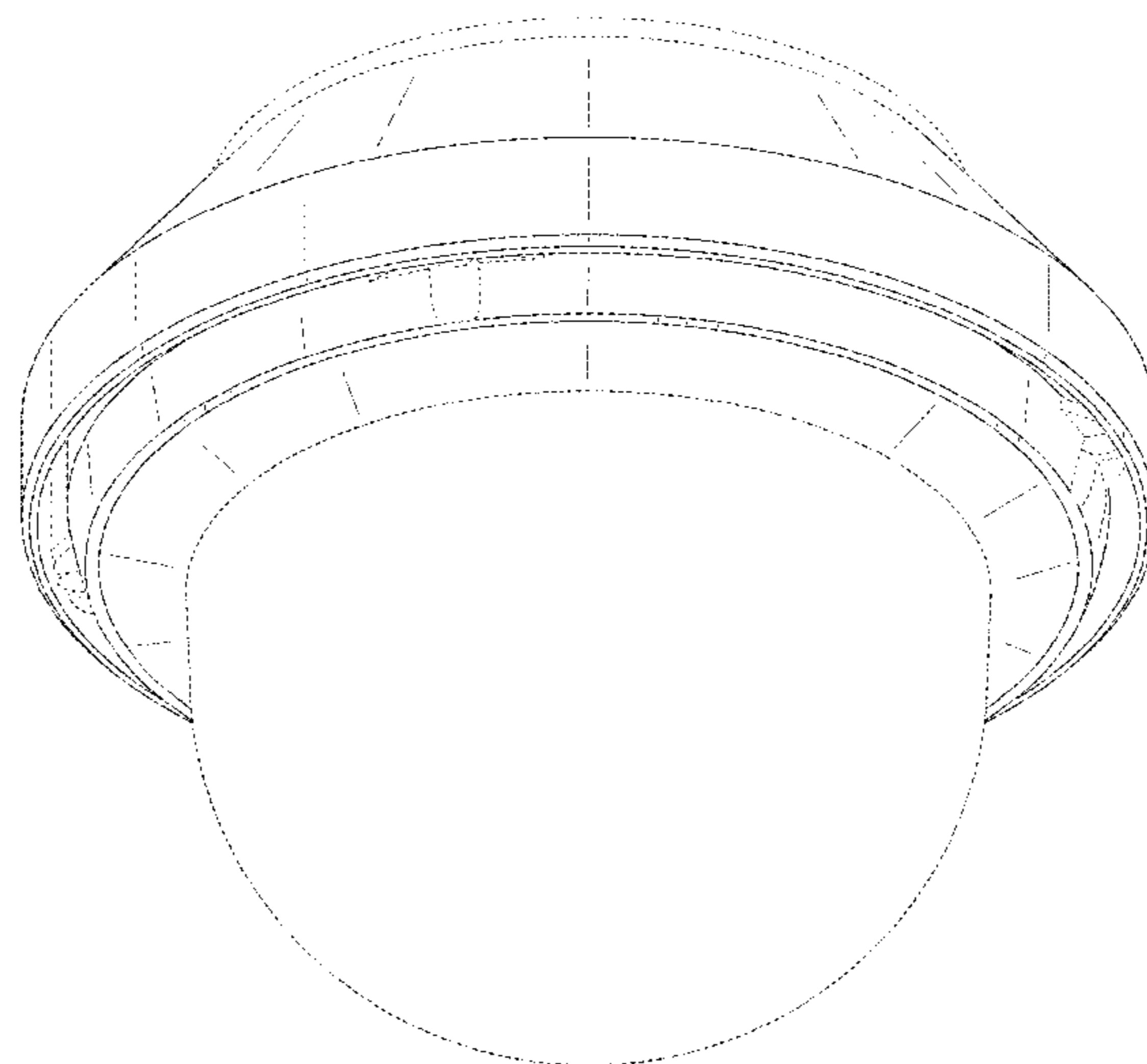


FIG. 1

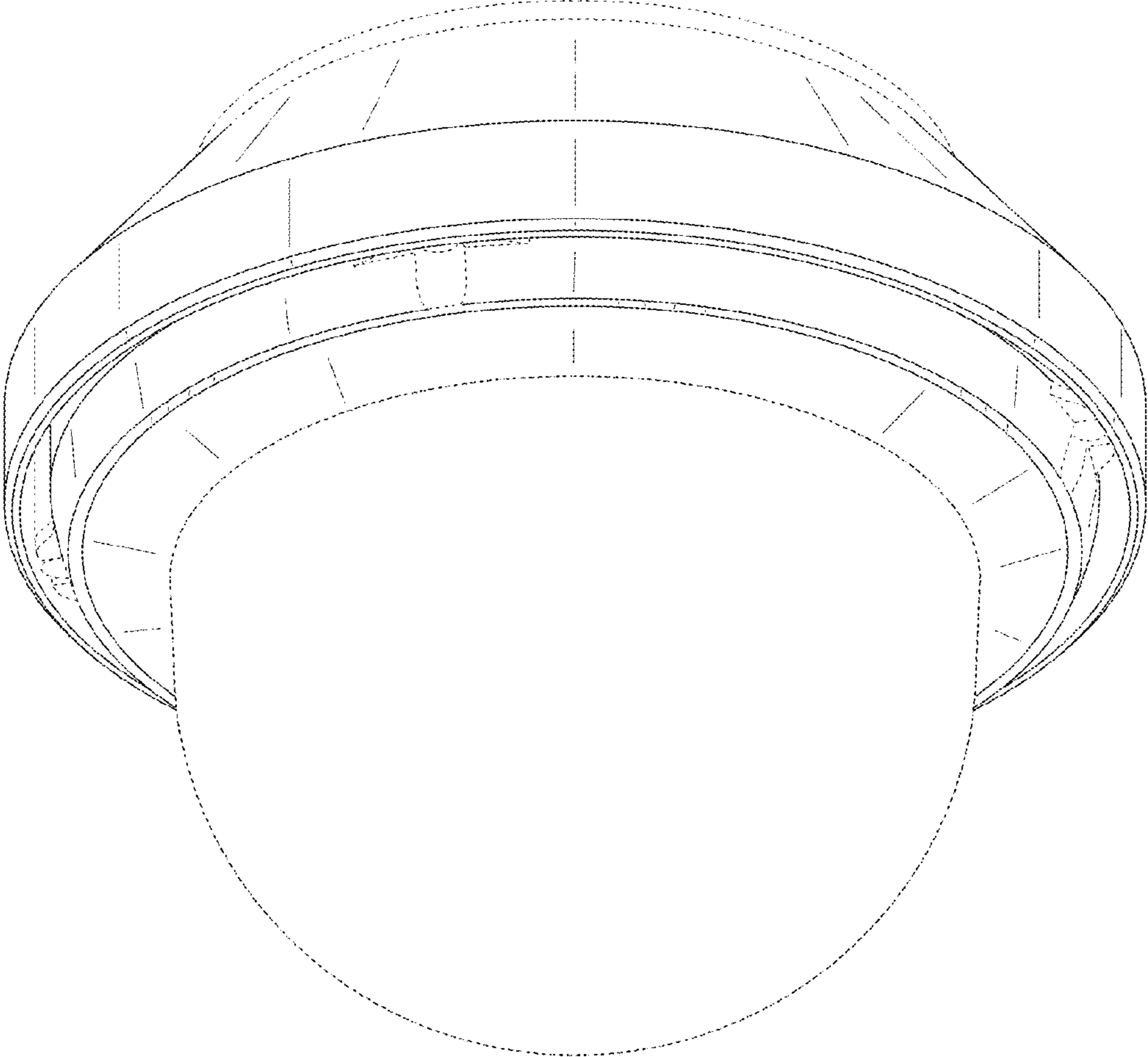


FIG. 2

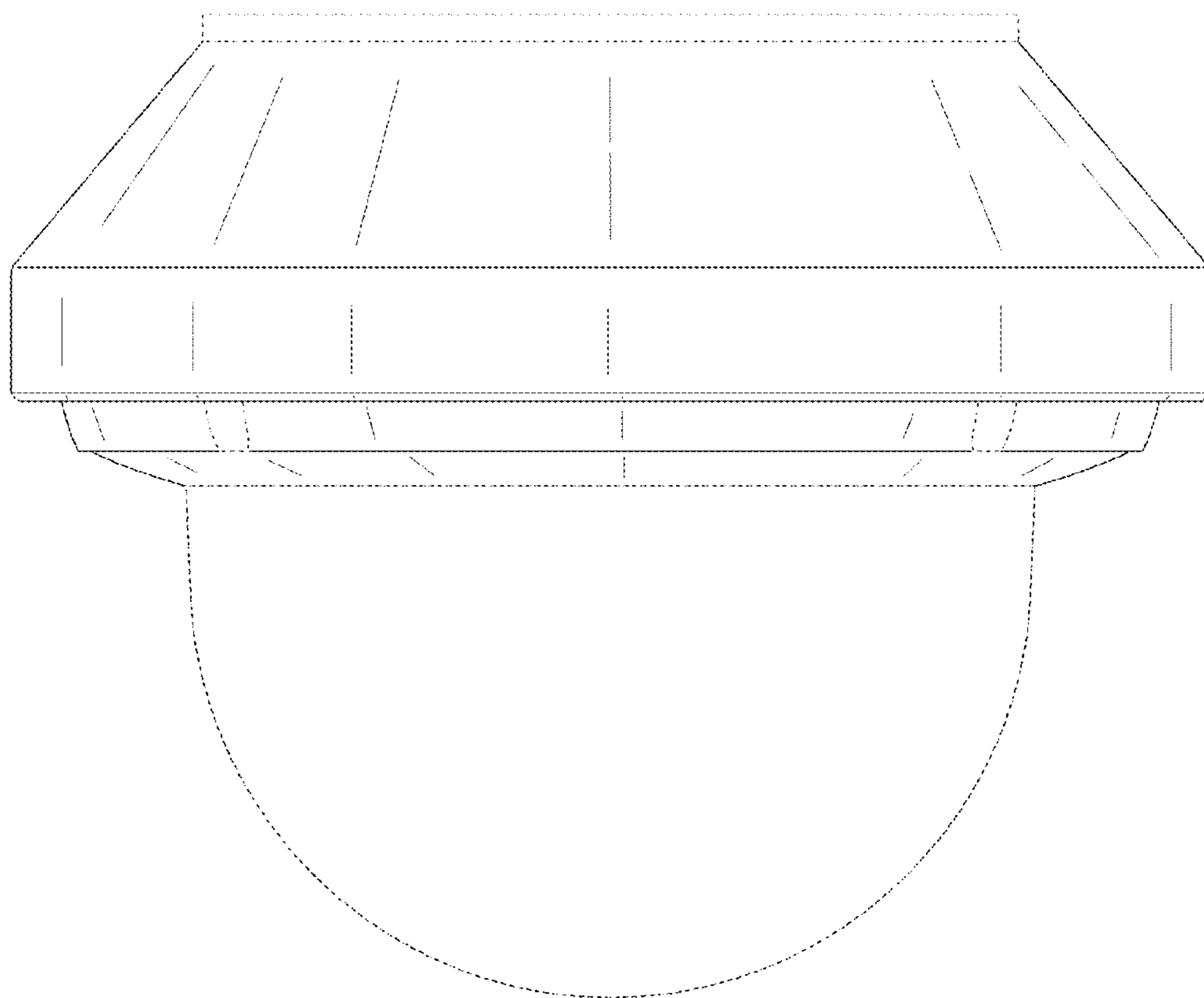


FIG. 3

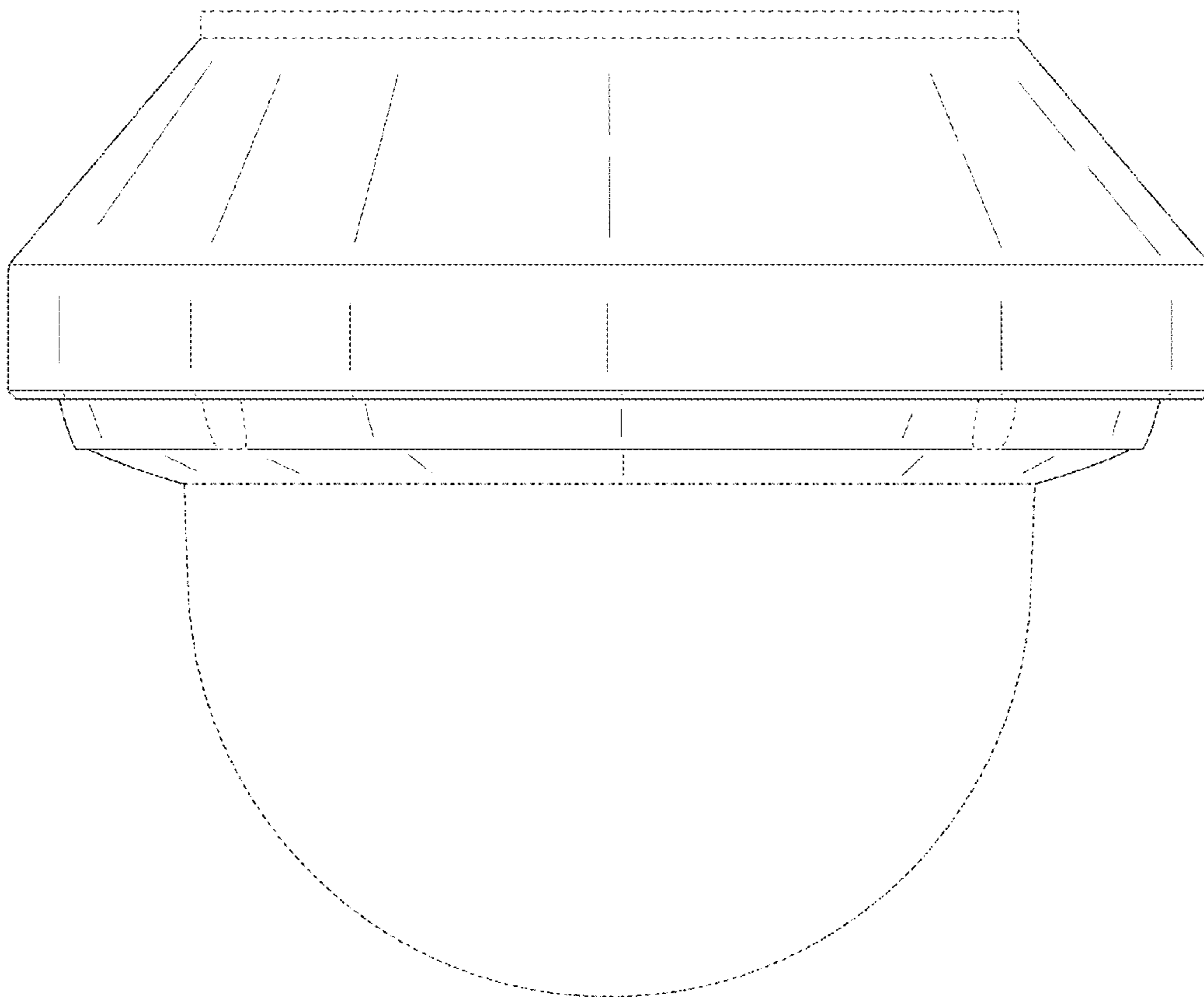


FIG. 4

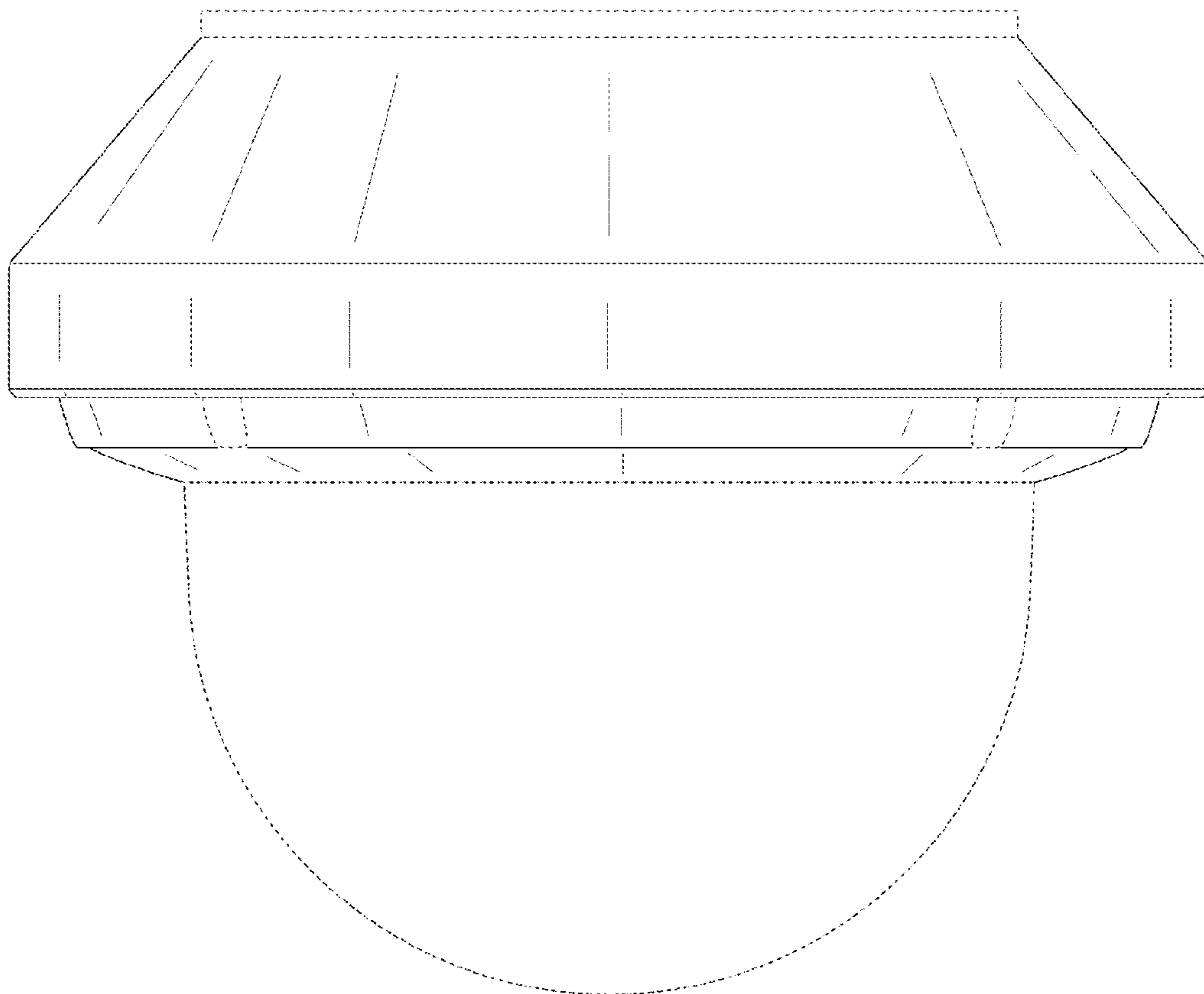


FIG. 5

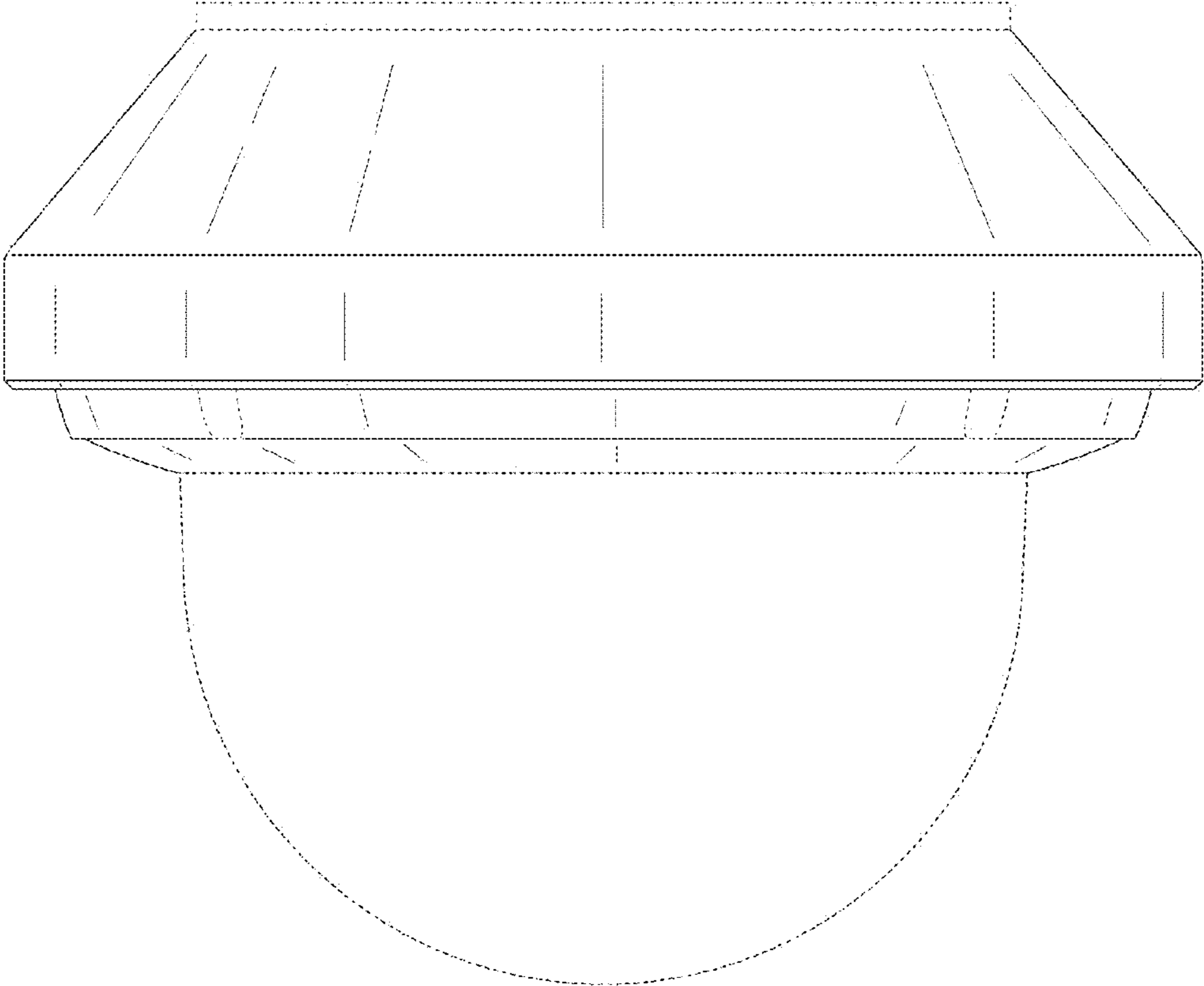


FIG. 6

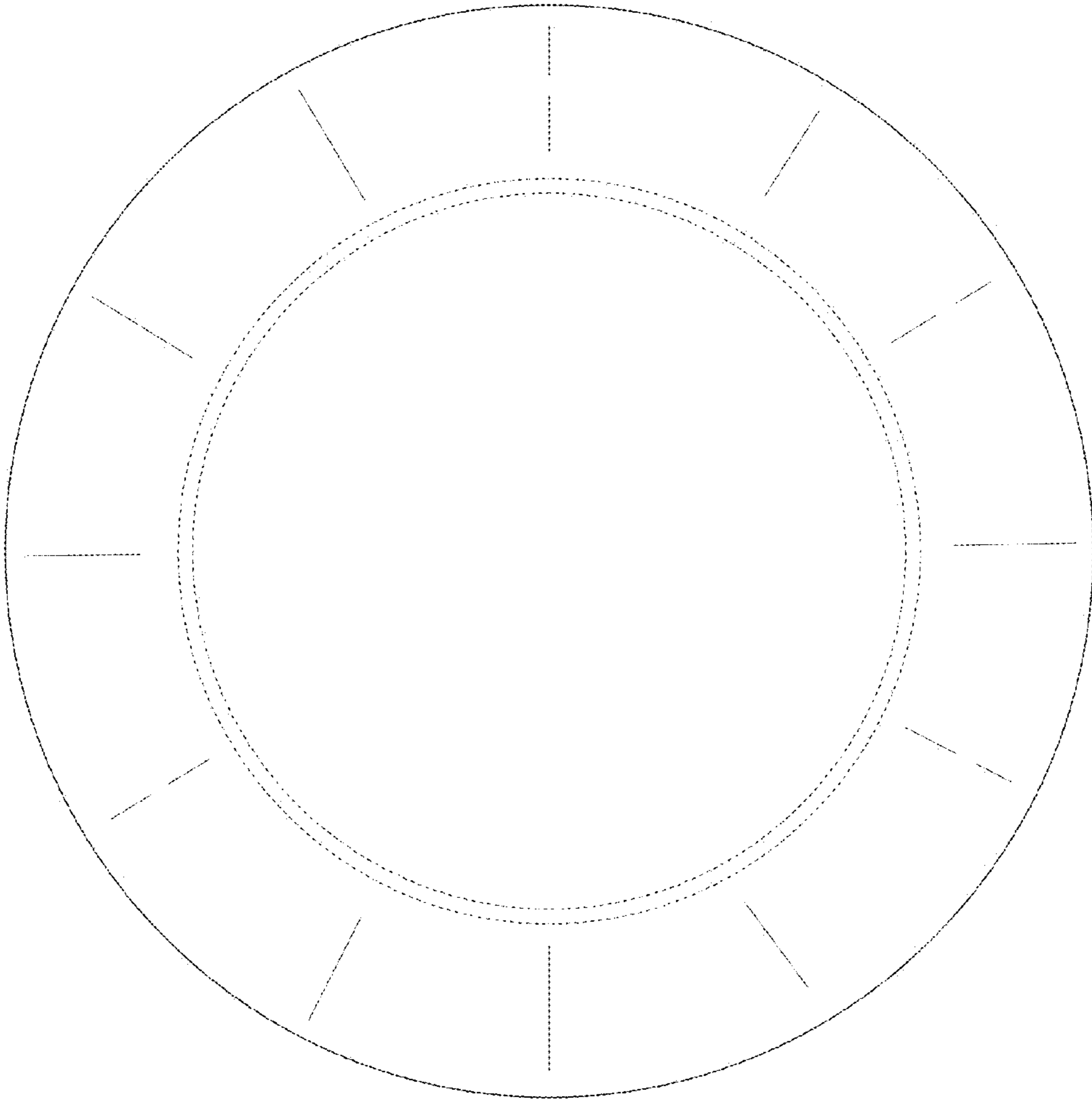


FIG. 7

