



US00D761340S

(12) **United States Design Patent**  
**Pacurariu et al.**

(10) **Patent No.:** **US D761,340 S**  
(45) **Date of Patent:** **\*\* Jul. 12, 2016**

(54) **CYLINDRICAL CAMERA**

(71) Applicant: **LYVE MINDS, INC.**, Cupertino, CA  
(US)  
(72) Inventors: **Mihnea Calin Pacurariu**, Los Gatos,  
CA (US); **Peter O. Schmidt**, San Jose,  
CA (US); **Jon Norton**, Menlo Park, CA  
(US); **David Hoenig**, Cupertino, CA  
(US); **Andreas von Sneidern**, San Jose,  
CA (US)  
(73) Assignee: **LYVE MINDS, INC.**, Cupertino, CA  
(US)

(\*\*) Term: **15 Years**

(21) Appl. No.: **29/528,126**

(22) Filed: **May 26, 2015**

(51) **LOC (10) Cl.** ..... **16-01**

(52) **U.S. Cl.**  
USPC ..... **D16/202**

(58) **Field of Classification Search**  
USPC ..... D16/200, 202–206, 208, 218, 219, 242;  
348/143, 148, 151, 373–376; 396/419,  
396/427, 535, 539–541  
CPC ..... G03B 17/02; G03B 19/04; G03B 17/56;  
G03B 17/04; G03B 15/03; H04N 5/2251;  
H04N 5/2252; H04N 5/2253; H04N 5/2254;  
H04N 7/181; H04N 7/183; H04N 7/18;  
G08B 13/1963; G08B 13/19619; G08B  
13/19632

See application file for complete search history.

(56) **References Cited**

**U.S. PATENT DOCUMENTS**

4,160,999 A \* 7/1979 Claggett ..... G08B 13/19619  
348/151  
D364,632 S \* 11/1995 Nakashima ..... D16/202  
D518,080 S \* 3/2006 Uehara ..... D16/202  
D662,122 S \* 6/2012 Goodwin ..... D16/208

D729,296 S \* 5/2015 Shelton ..... D16/202  
D730,422 S \* 5/2015 Kim ..... D16/218  
D733,780 S \* 7/2015 Chen ..... D16/202  
D734,801 S \* 7/2015 Yang ..... D16/202  
D742,954 S \* 11/2015 Simonelli ..... D16/203  
D743,465 S \* 11/2015 Aglassinger ..... D16/203  
D743,475 S \* 11/2015 Cover ..... D16/203

(Continued)

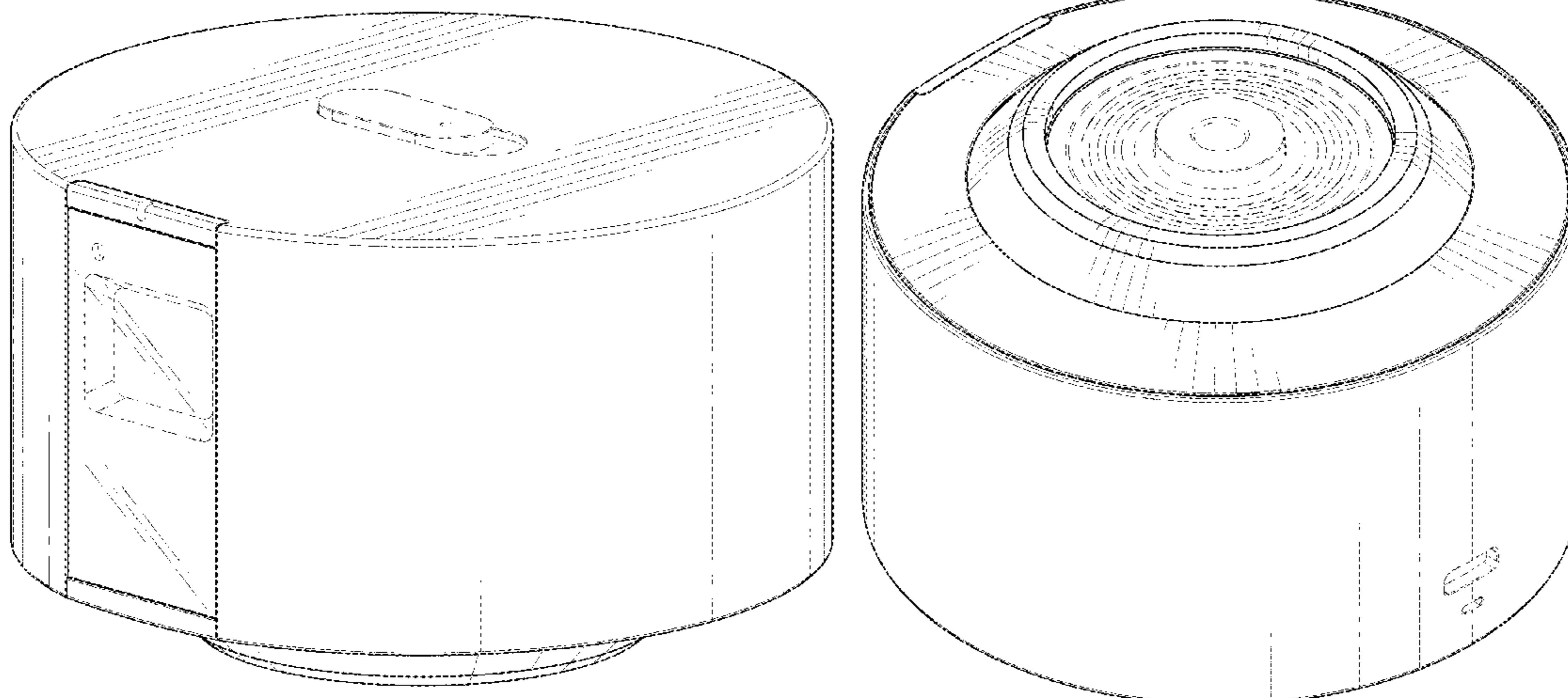
*Primary Examiner* — Philip S Hyder  
*Assistant Examiner* — Ramzi Almatrahi  
(74) *Attorney, Agent, or Firm* — Maschoff Brennan

(57) **CLAIM**  
The ornamental design for a cylindrical camera, as shown and described.

**DESCRIPTION**

FIG. 1 is a top, front and right side perspective view of a cylindrical camera;  
FIG. 2 is a bottom, back and left side perspective view of the cylindrical camera shown in FIG. 1;  
FIG. 3 is a front view of the cylindrical camera shown in FIG. 1;  
FIG. 4 is a back view of the cylindrical camera shown in FIG. 1;  
FIG. 5 is a left side view of the cylindrical camera shown in FIG. 1;  
FIG. 6 is a right side view of the cylindrical camera shown in FIG. 1;  
FIG. 7 is a top view of the cylindrical camera shown in FIG. 1;  
FIG. 8 is a bottom view of the cylindrical camera shown in FIG. 1;  
FIG. 9 is a left side view of the cylindrical camera, shown in an upward tilted position; and,  
FIG. 10 is a left side view of the cylindrical camera, shown in a downward tilted position.  
The broken lines depict portions of the cylindrical camera in which the design is embodied that form no part of the claimed design.

**1 Claim, 7 Drawing Sheets**



# US D761,340 S

Page 2

---

(56)

## References Cited

2010/0284081 A1\* 11/2010 Gutierrez ..... G02B 7/102  
359/554

## U.S. PATENT DOCUMENTS

D748,179 S \* 1/2016 Scalisi ..... D10/118.2 \* cited by examiner

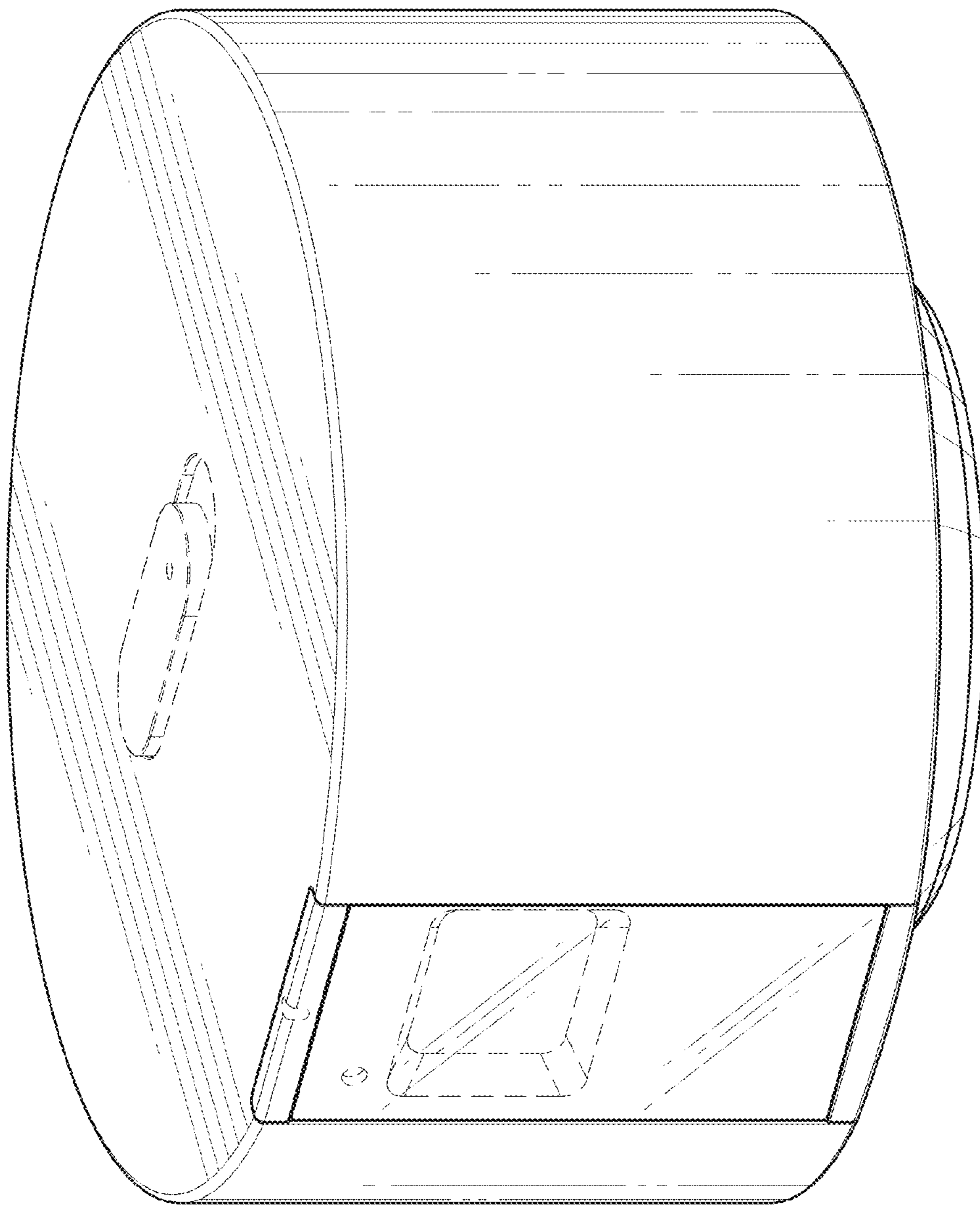


Fig. 1

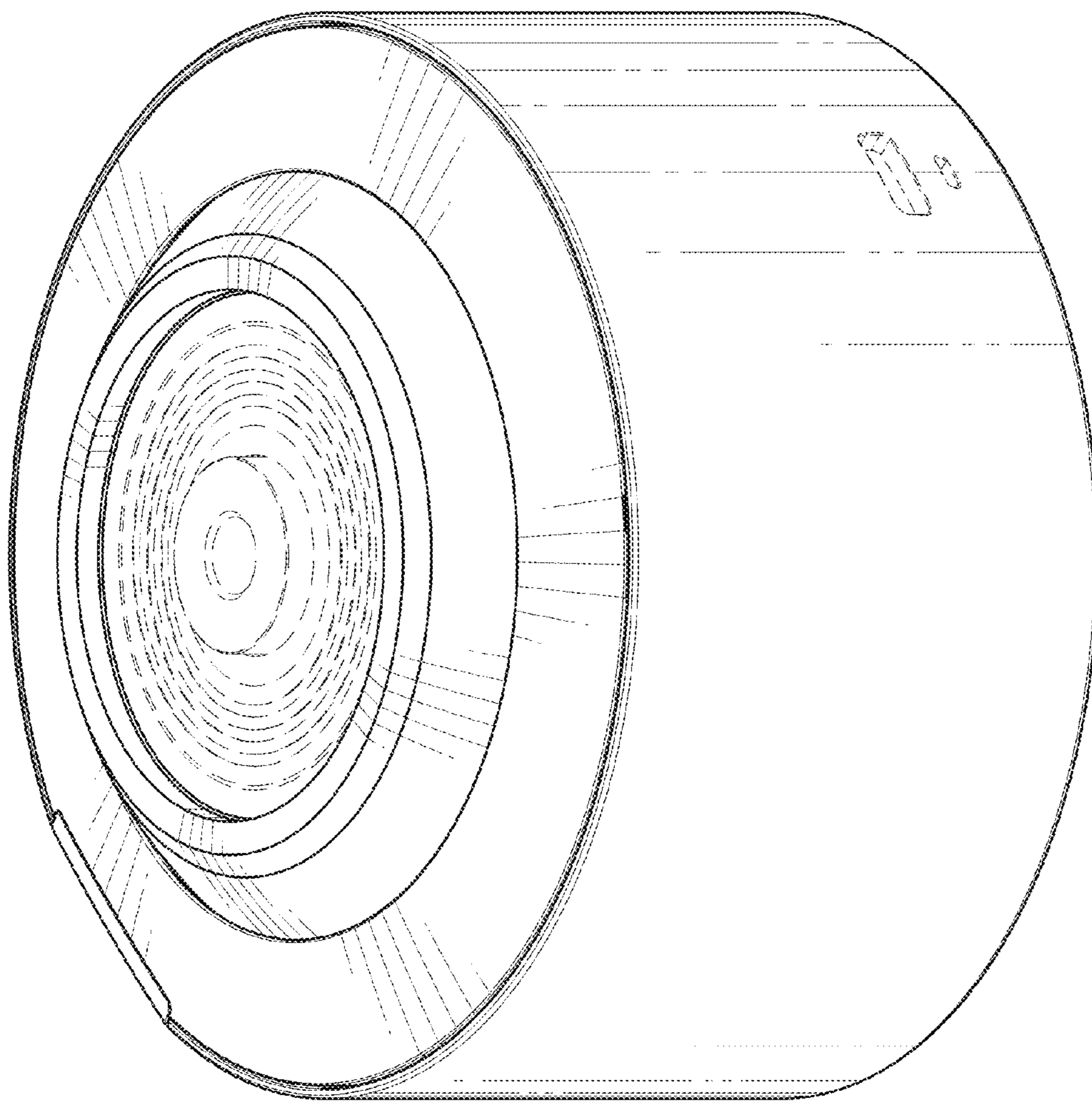
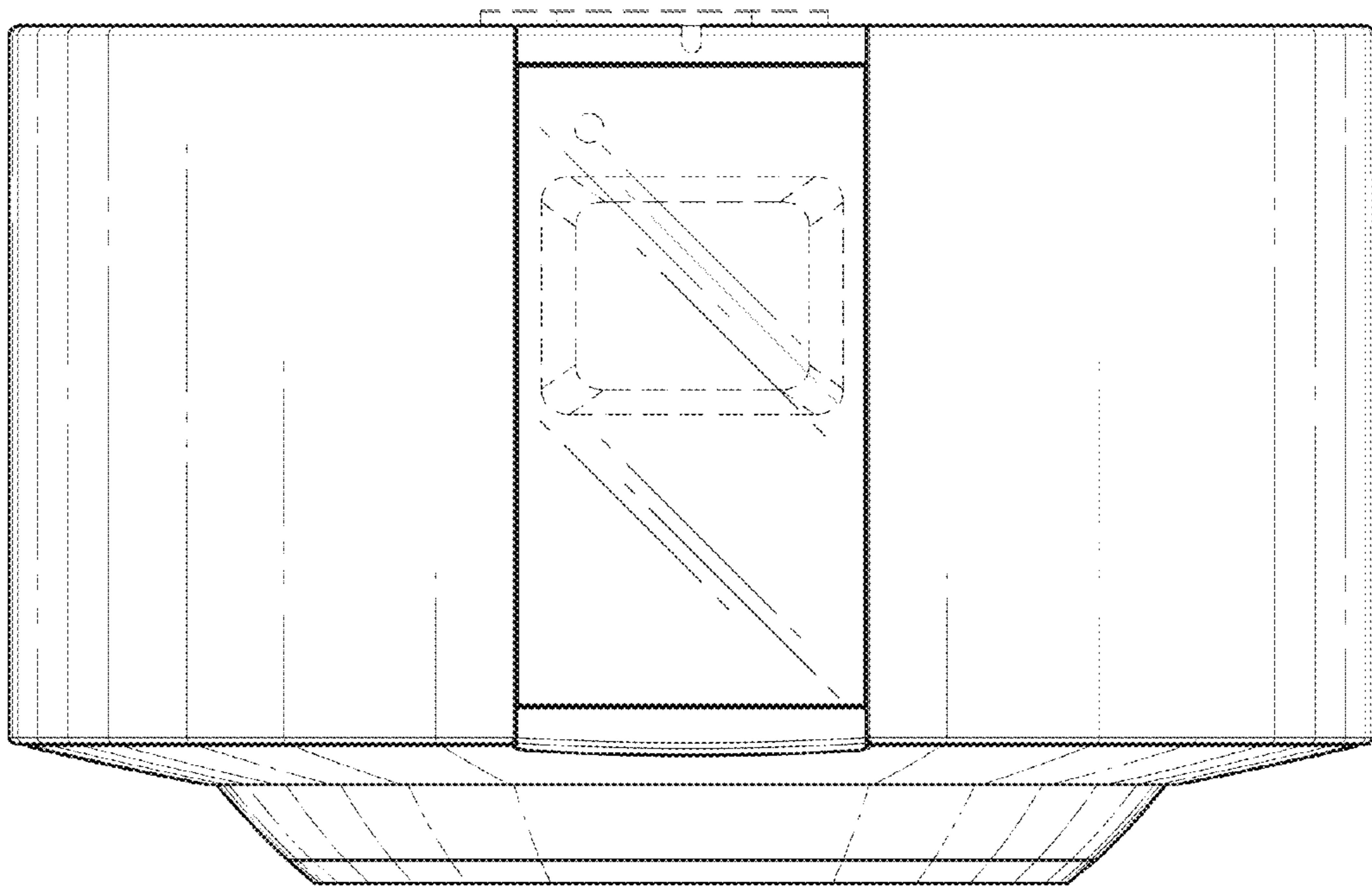
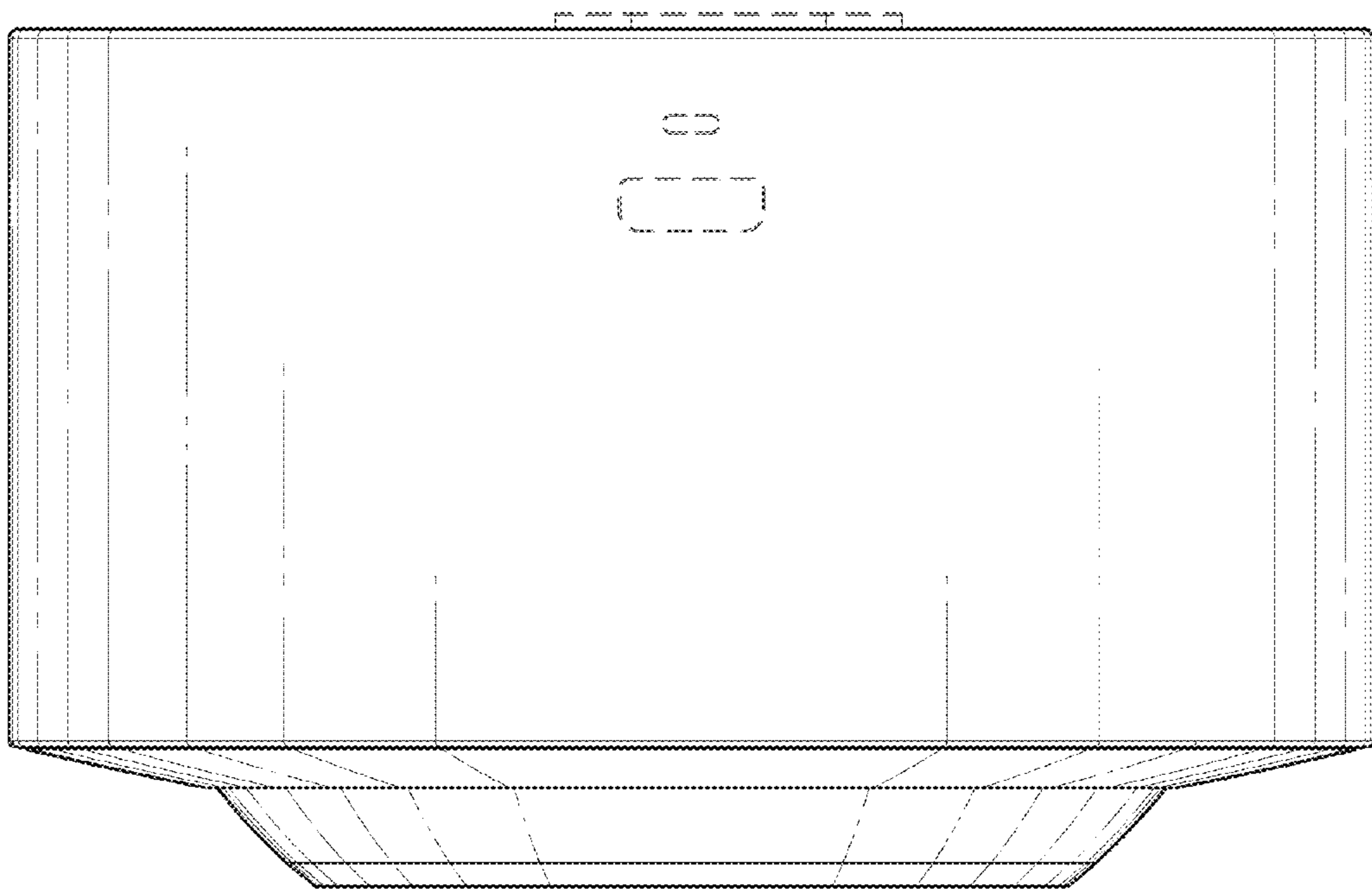


Fig. 2

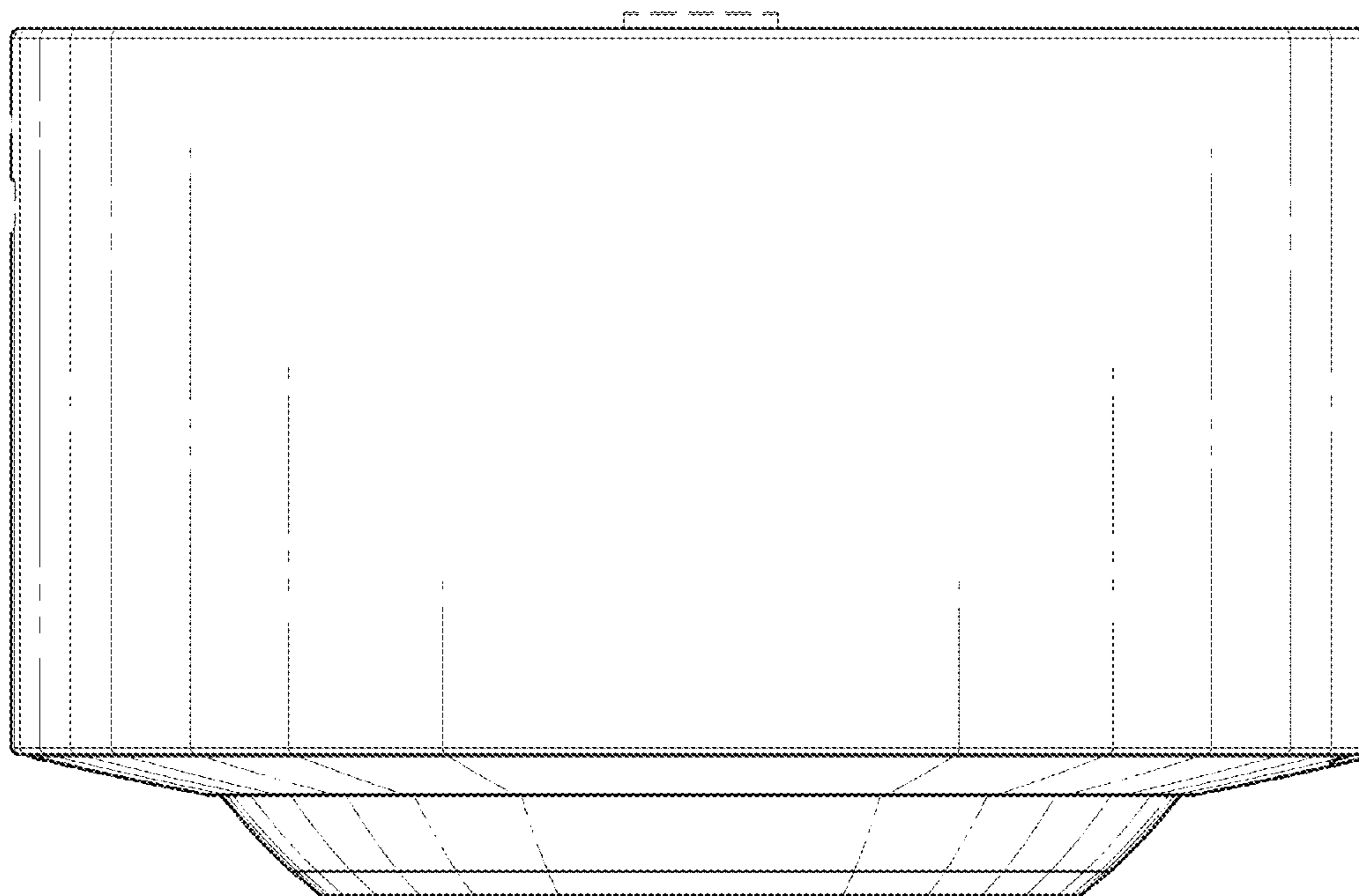




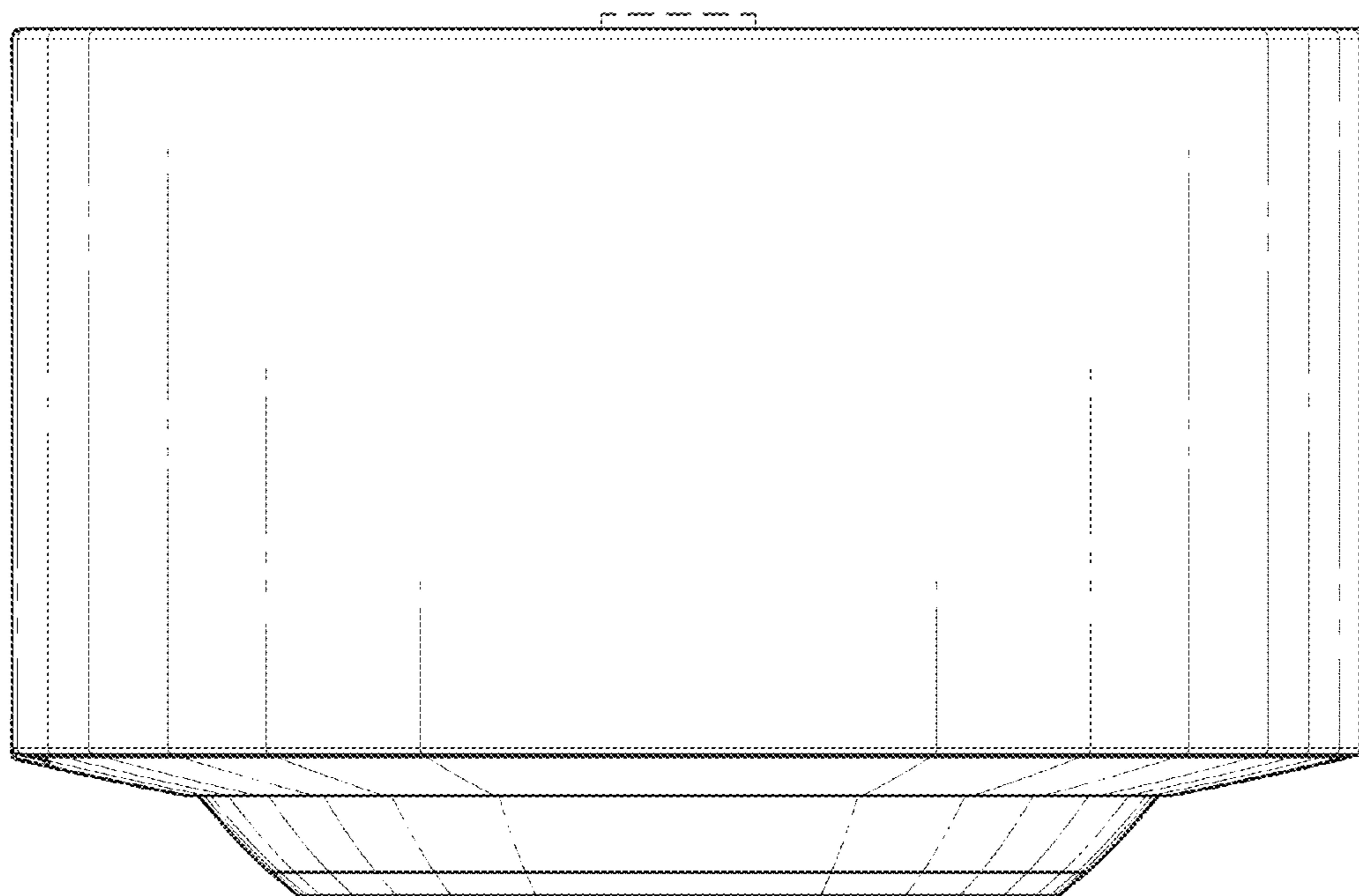
*Fig. 3*



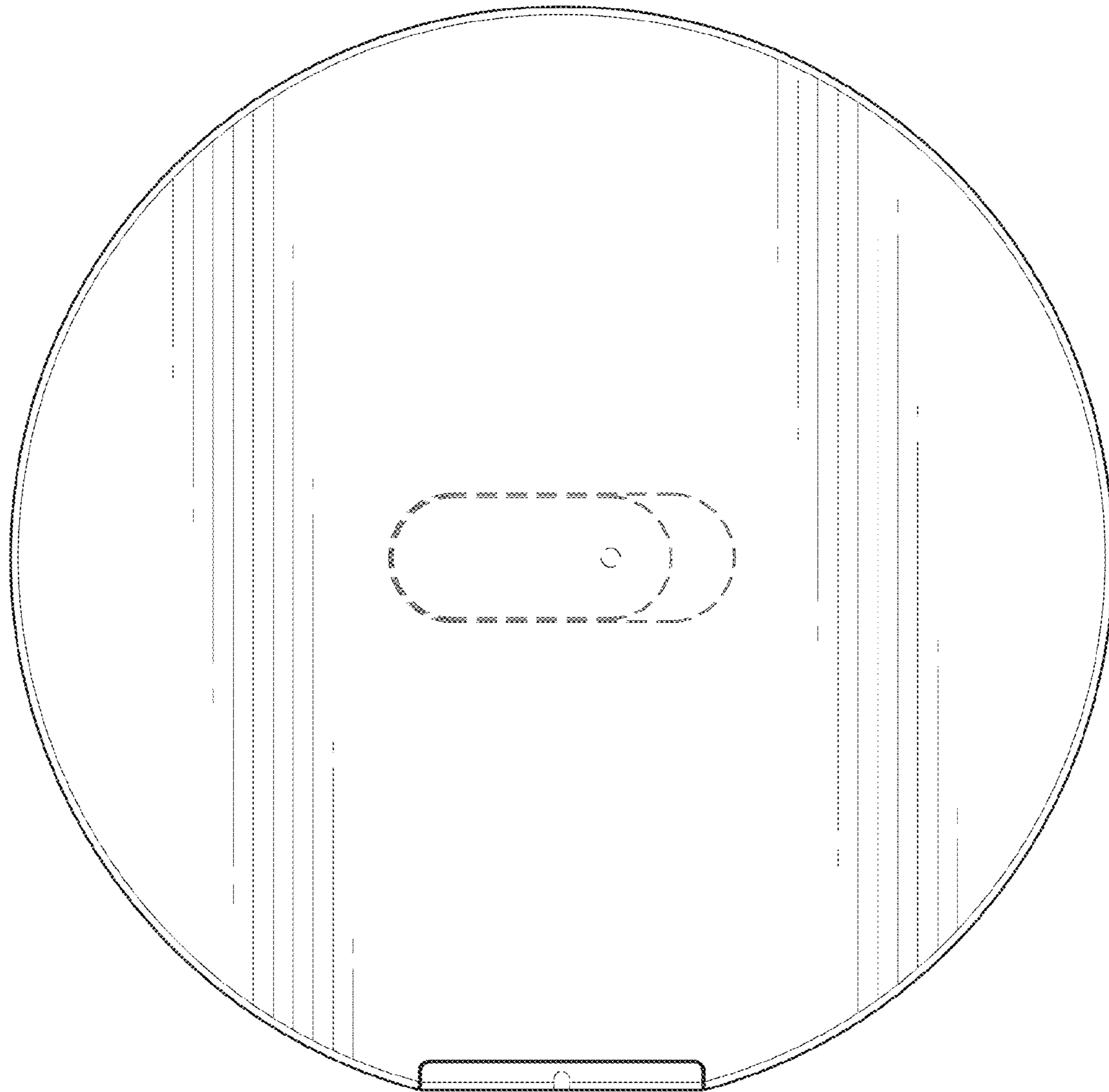
*Fig. 4*



*Fig. 5*



*Fig. 6*



*Fig. 7*

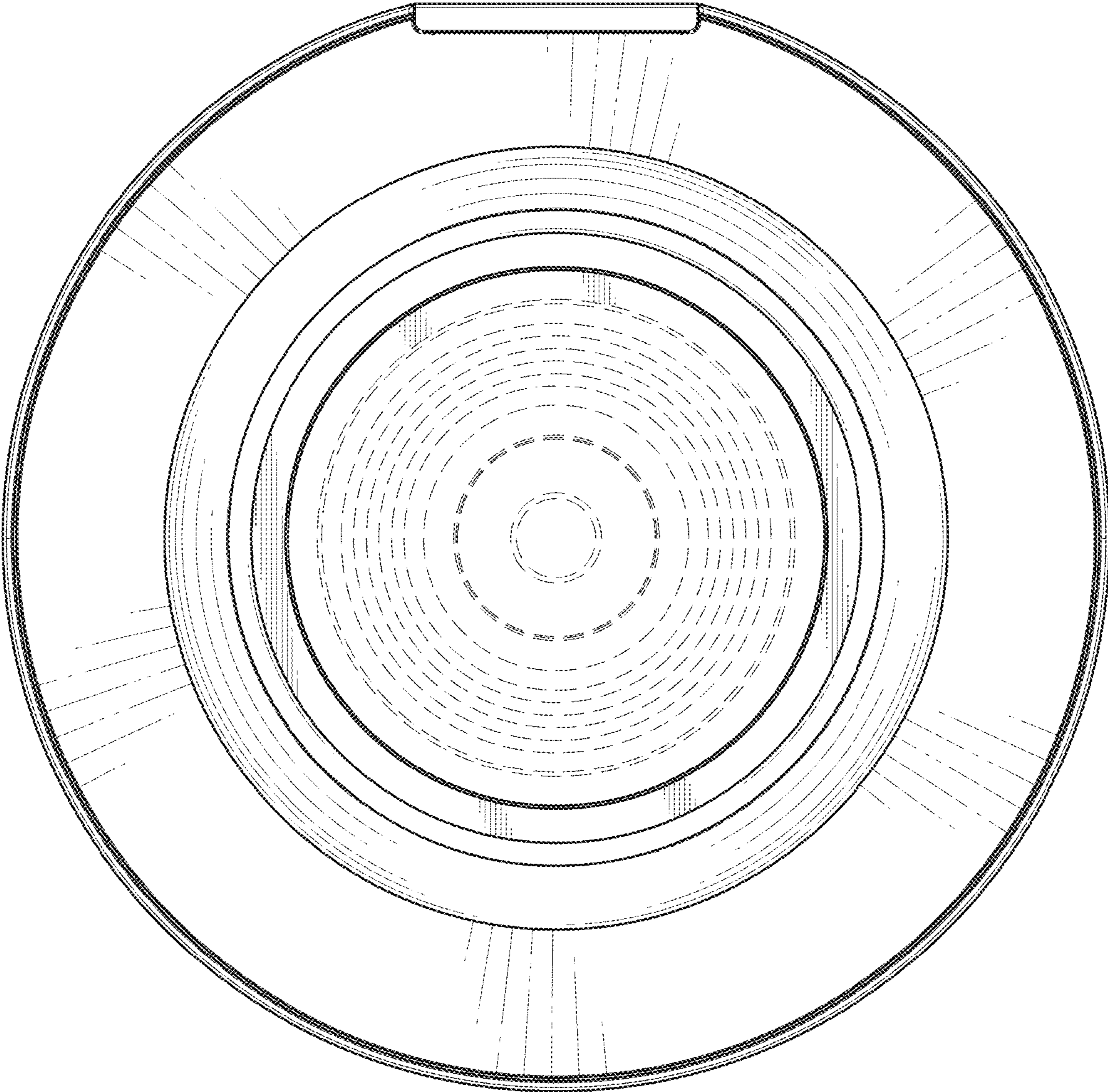
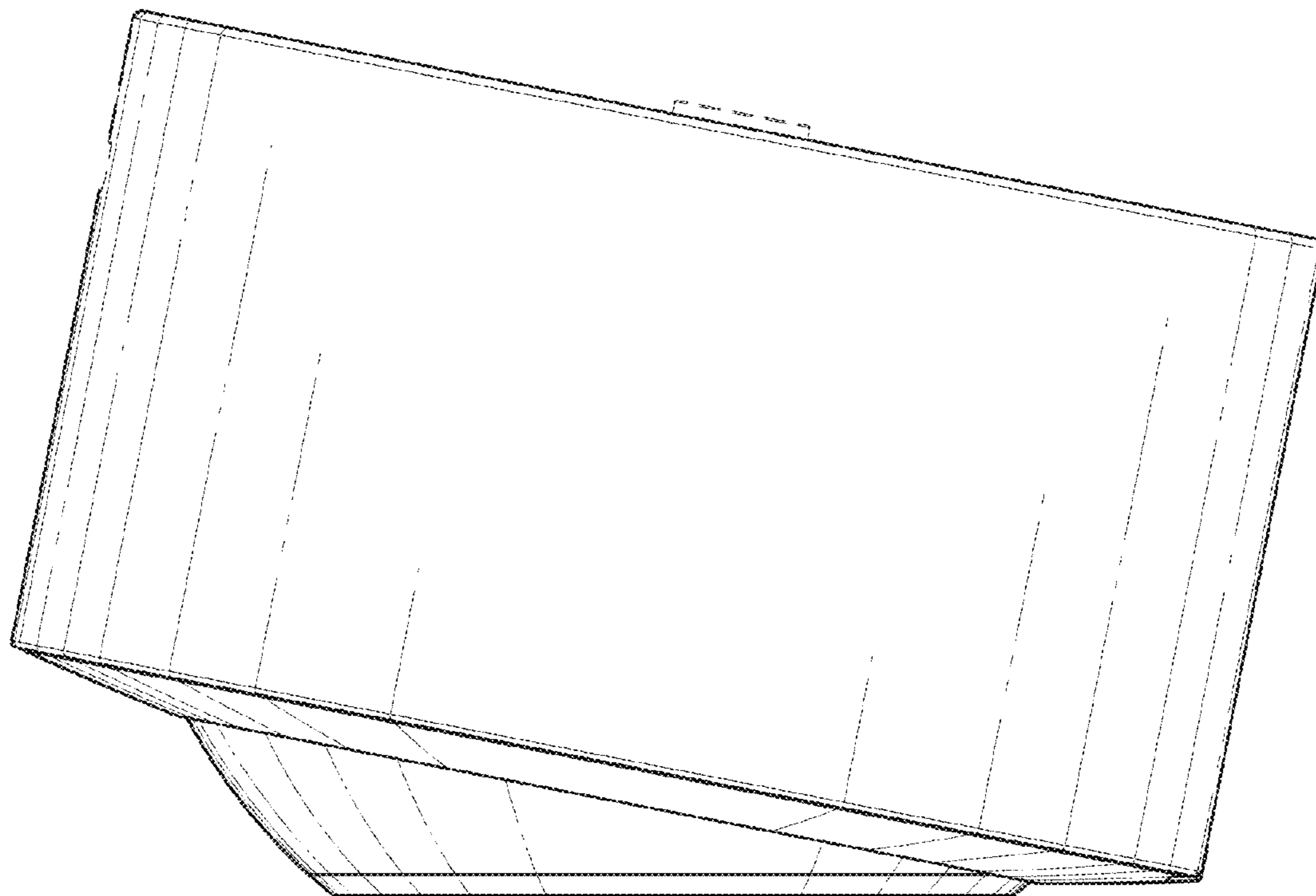
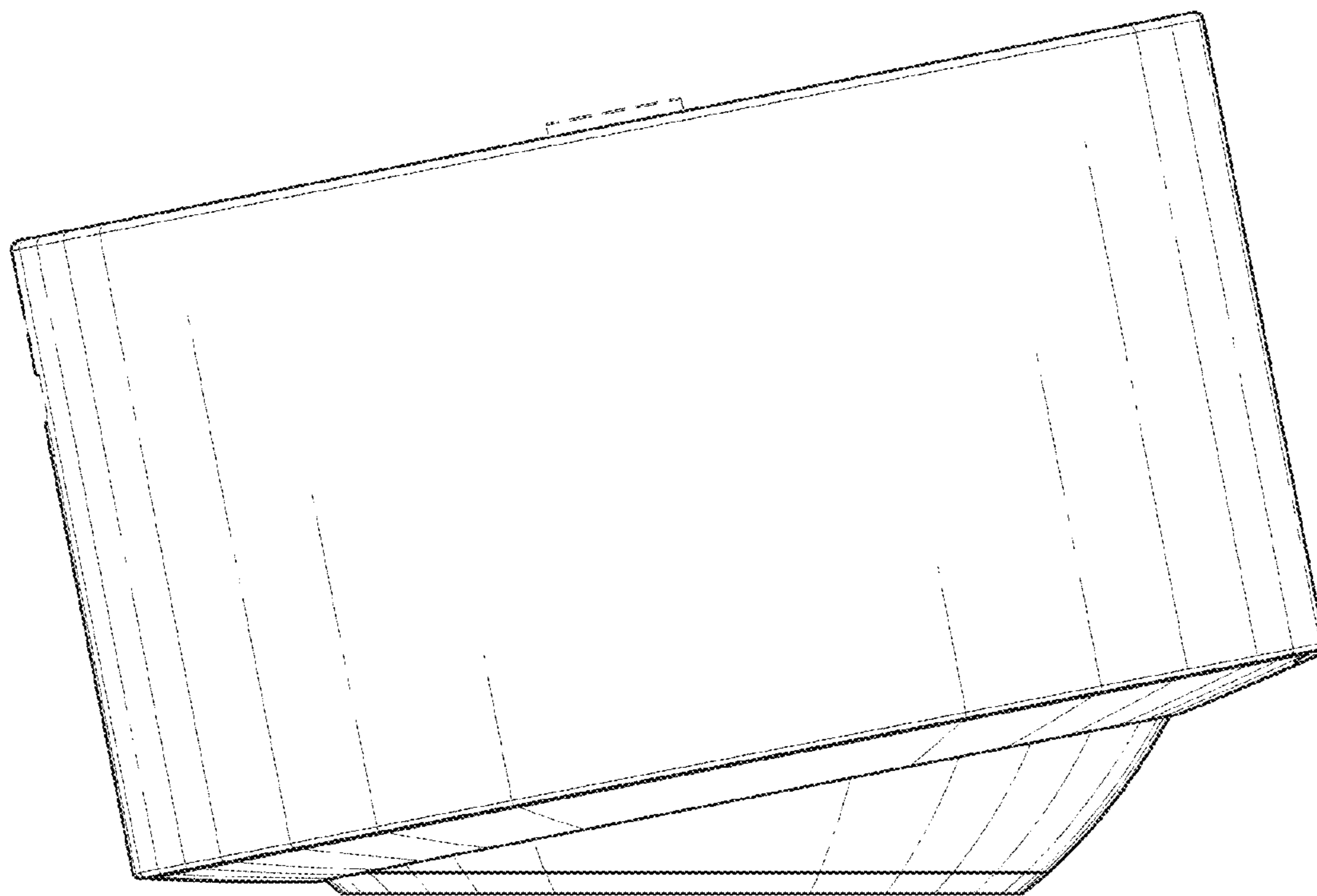


Fig. 8





*Fig. 9*



*Fig. 10*