



US00D761339S

(12) **United States Design Patent**
White, Jr. et al.

(10) **Patent No.:** **US D761,339 S**
(45) **Date of Patent:** **** Jul. 12, 2016**

- (54) **COMPLIANT MANUFACTURING ROBOT**
- (71) Applicants: **Robert White, Jr.**, Roslindale, MA (US); **Waleed A. Farahat**, Newton, MA (US); **Michael Sussman**, Winchester, MA (US); **Elizabeth Goodrich**, Roslindale, MA (US); **Peter Swai**, Weymouth, MA (US); **James F. Daly, III**, Groton, MA (US)
- (72) Inventors: **Robert White, Jr.**, Roslindale, MA (US); **Waleed A. Farahat**, Newton, MA (US); **Michael Sussman**, Winchester, MA (US); **Elizabeth Goodrich**, Roslindale, MA (US); **Peter Swai**, Weymouth, MA (US); **James F. Daly, III**, Groton, MA (US)
- (73) Assignee: **Rethink Robotics, Inc.**, Boston, MA (US)

| | | | | |
|----------------|---------|------------|-------|-------------------------|
| D571,678 S * | 6/2008 | Hinshaw | | D10/70 |
| D572,739 S * | 7/2008 | Jennings | | D15/199 |
| D585,943 S * | 2/2009 | Pymm | | D20/10 |
| D626,353 S * | 11/2010 | Magruder | | D14/307 |
| 8,272,466 B2 * | 9/2012 | Moriguchi | | B25J 5/007 180/167 |
| D675,656 S * | 2/2013 | Sutherland | | D15/199 |
| 8,386,077 B2 * | 2/2013 | Birkenbach | | A61B 19/2203 700/245 |
| D697,104 S * | 1/2014 | Dye | | D15/199 |
| D701,256 S * | 3/2014 | Song | | D15/199 |
| D716,357 S * | 10/2014 | Gombert | | D15/199 |
| 8,850,696 B2 * | 10/2014 | Baudisch | | B25J 15/0019 29/718 |
| D720,378 S * | 12/2014 | Dye | | D15/199 |
| D725,166 S * | 3/2015 | Paik | | D15/199 |
| D725,167 S * | 3/2015 | Song | | D15/199 |
| 8,974,372 B2 * | 3/2015 | Fell | | A61B 19/2203 600/114 |
| D726,836 S * | 4/2015 | Song | | D15/199 |
| D732,096 S * | 6/2015 | Jang | | D15/199 |
| D735,258 S * | 7/2015 | Jang | | D15/199 |
| 9,174,342 B2 * | 11/2015 | Pinter | | B25J 9/1676 |

* cited by examiner

Primary Examiner — Patricia Palasik

(74) *Attorney, Agent, or Firm* — Morgan, Lewis & Bockius LLP

- (**) Term: **14 Years**
- (21) Appl. No.: **29/520,631**
- (22) Filed: **Mar. 17, 2015**
- (51) **LOC (10) Cl.** **15-99**
- (52) **U.S. Cl.**
USPC **D15/199**
- (58) **Field of Classification Search**
USPC D15/199; D21/578
See application file for complete search history.

(57) **CLAIM**

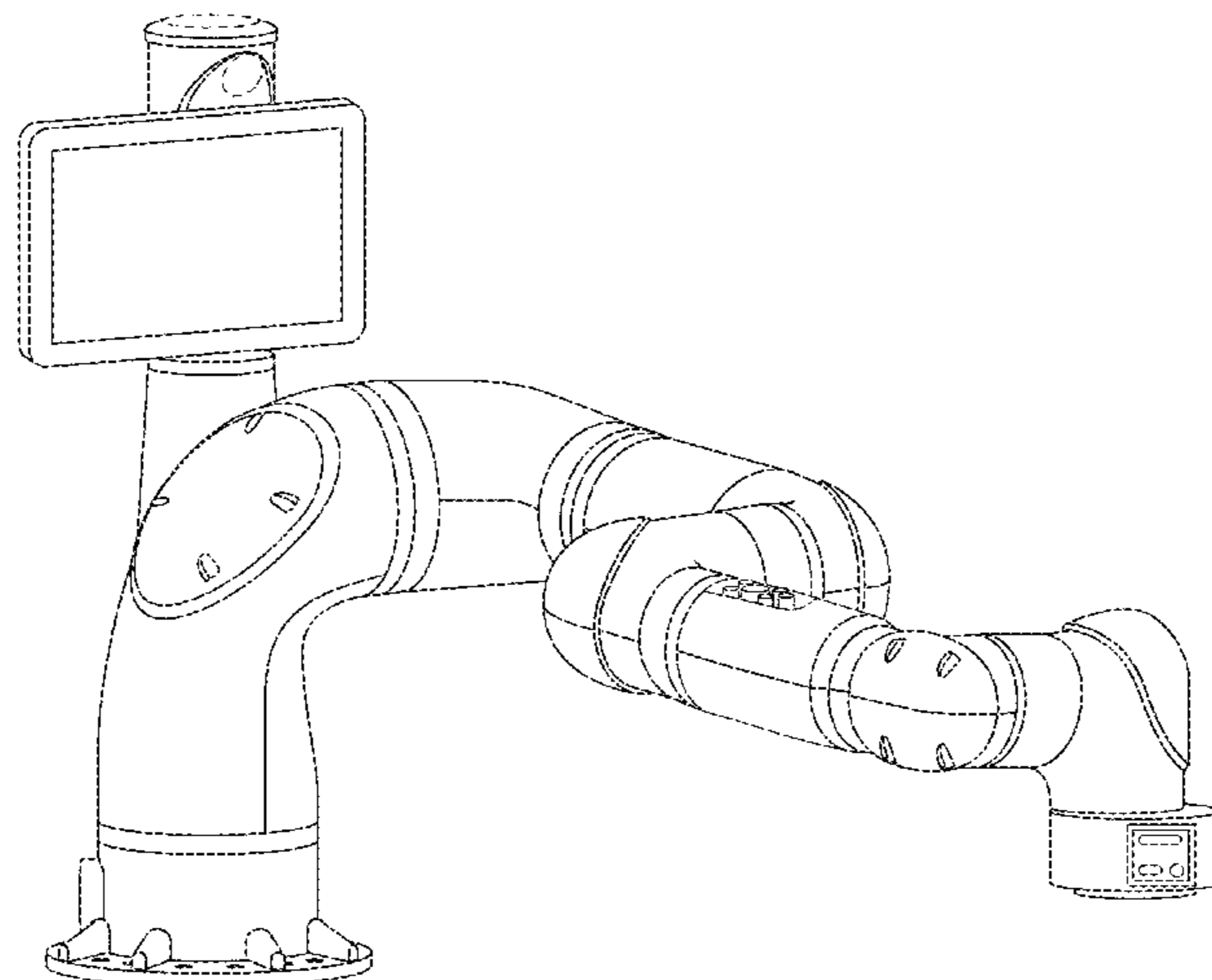
The ornamental design for a compliant manufacturing robot, substantially as shown.

DESCRIPTION

FIG. 1 is a perspective view of a compliant manufacturing robot incorporating the design
FIG. 2 is a front view thereof;
FIG. 3 is a back view thereof;
FIG. 4 is a right side view thereof;
FIG. 5 is a left side view thereof;
FIG. 6 is a top view thereof; and,
FIG. 7 is a bottom view thereof.

1 Claim, 7 Drawing Sheets

- (56) **References Cited**
U.S. PATENT DOCUMENTS
- D294,841 S * 3/1988 Beley D21/578
- D427,742 S * 7/2000 McCormack D99/28
- D431,708 S * 10/2000 McCormack D14/900
- D456,080 S * 4/2002 Karlsson D24/185
- D553,655 S * 10/2007 Jennings D15/199



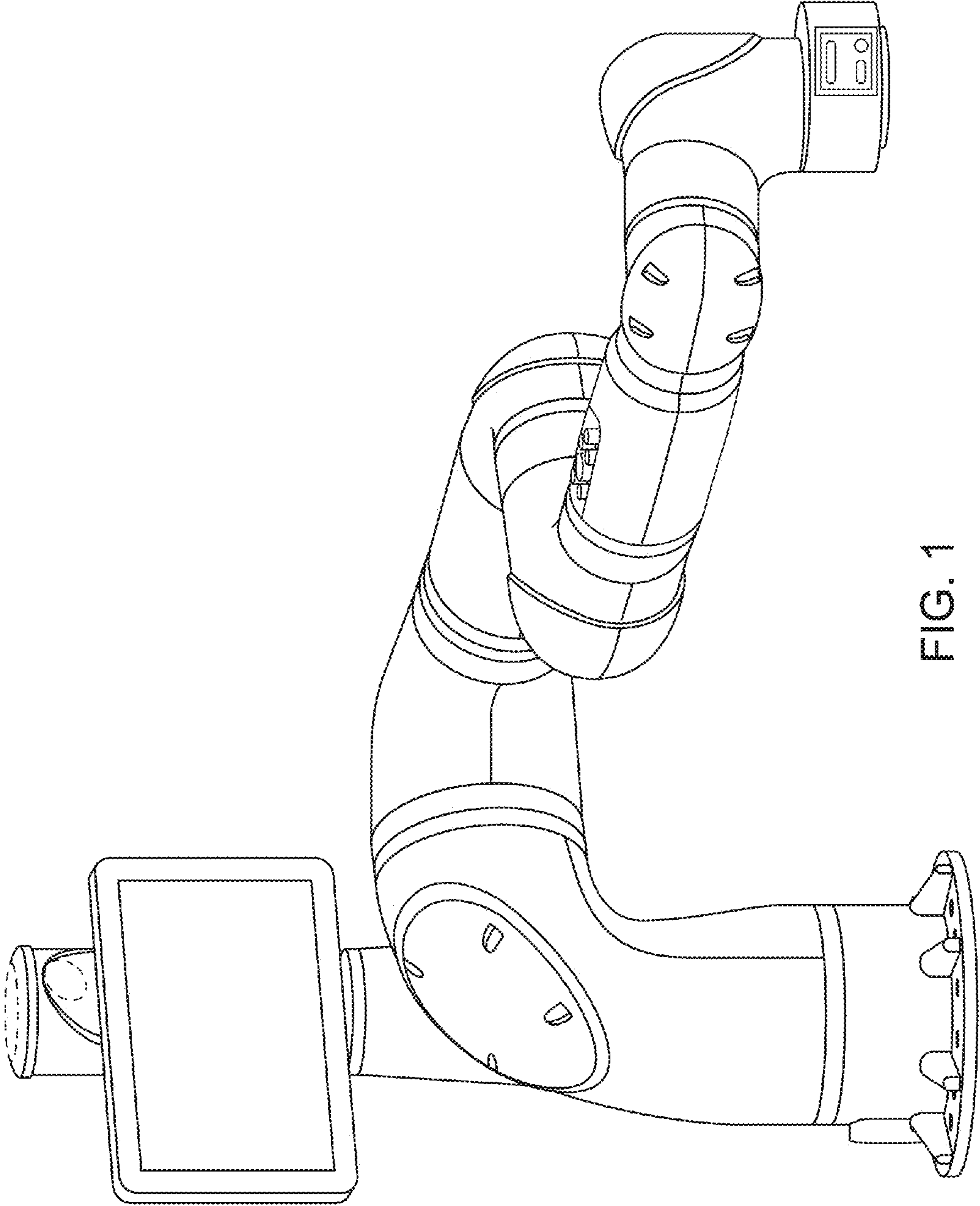


FIG. 1

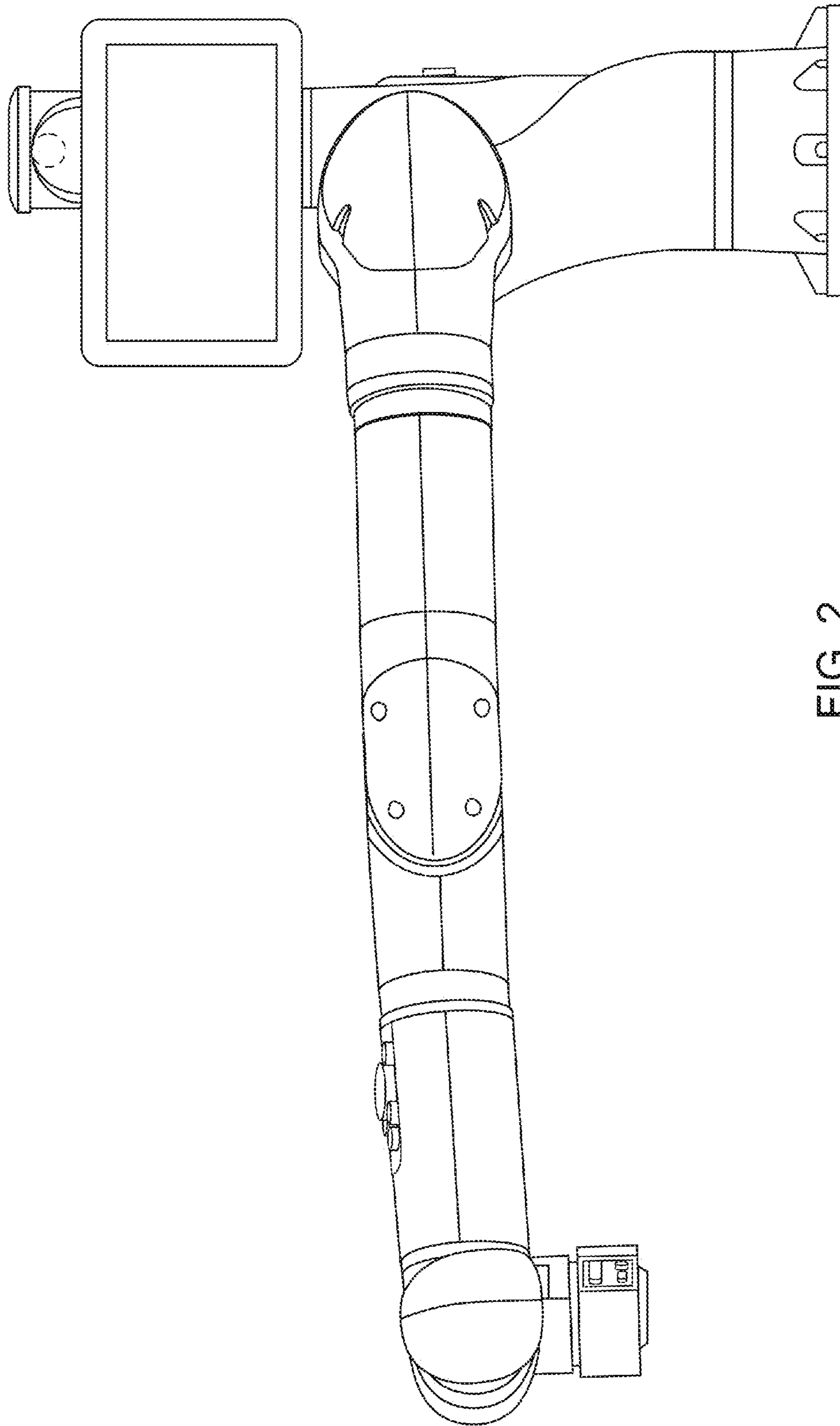


FIG. 2

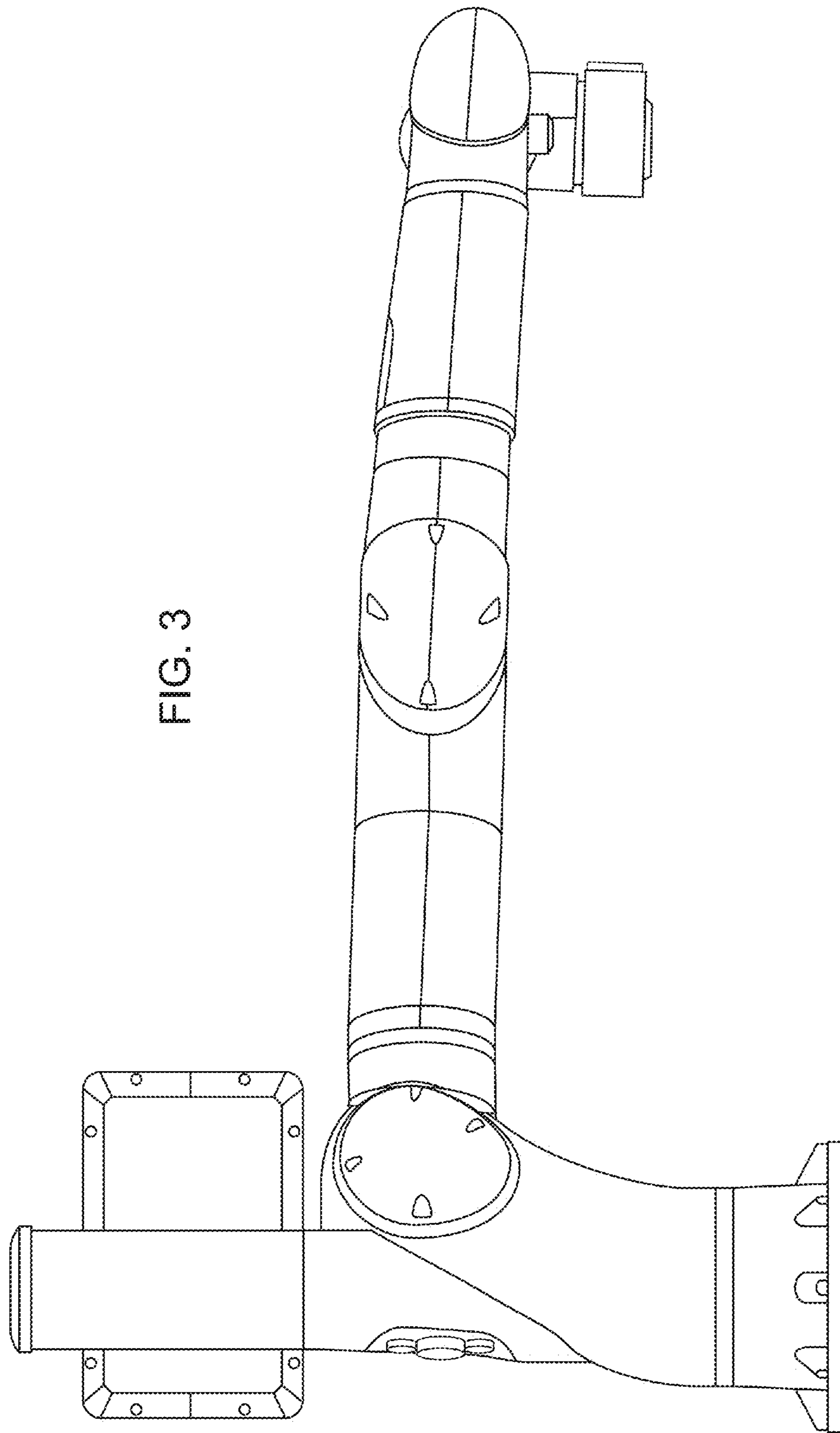


FIG. 3

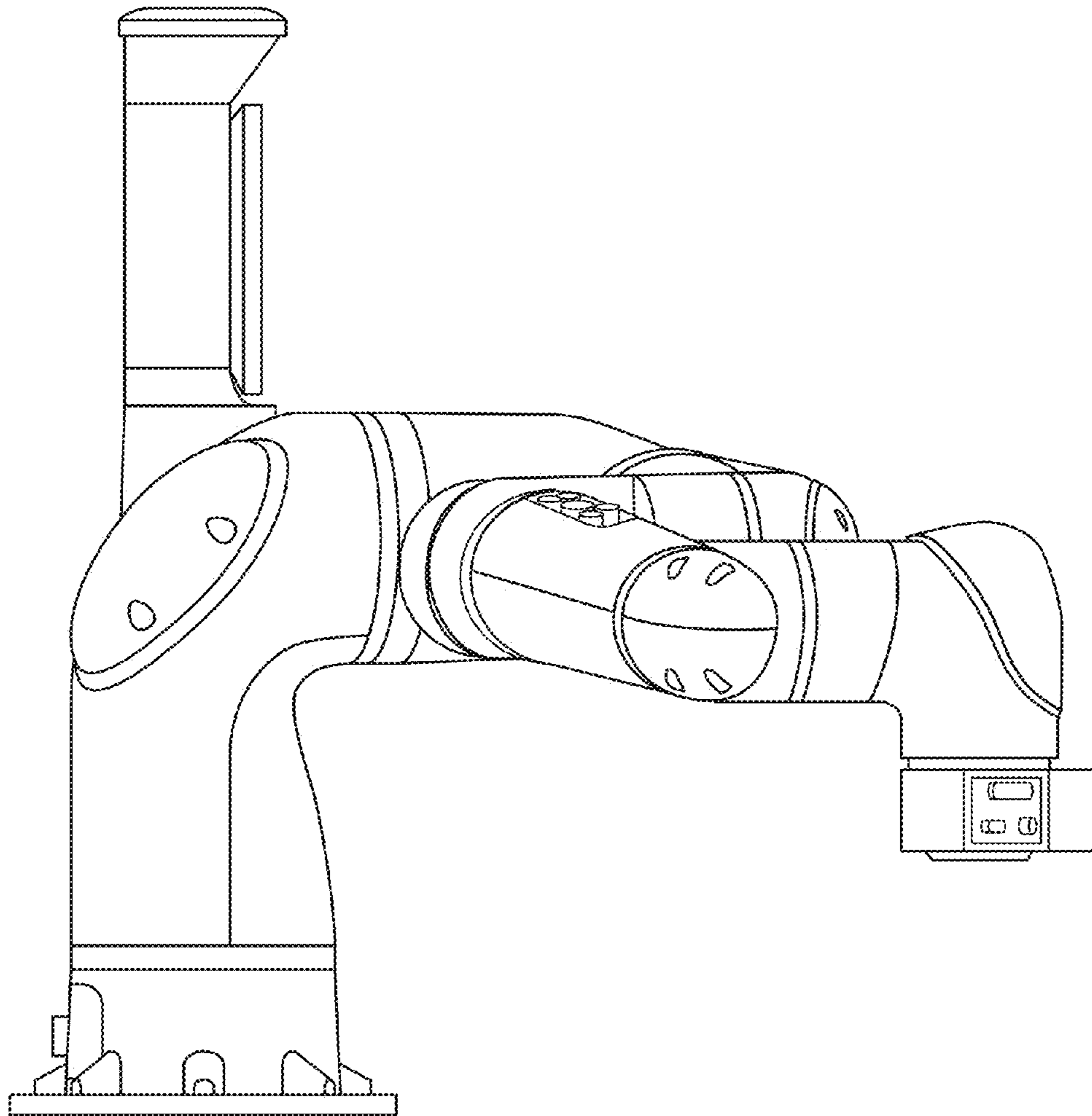


FIG. 4

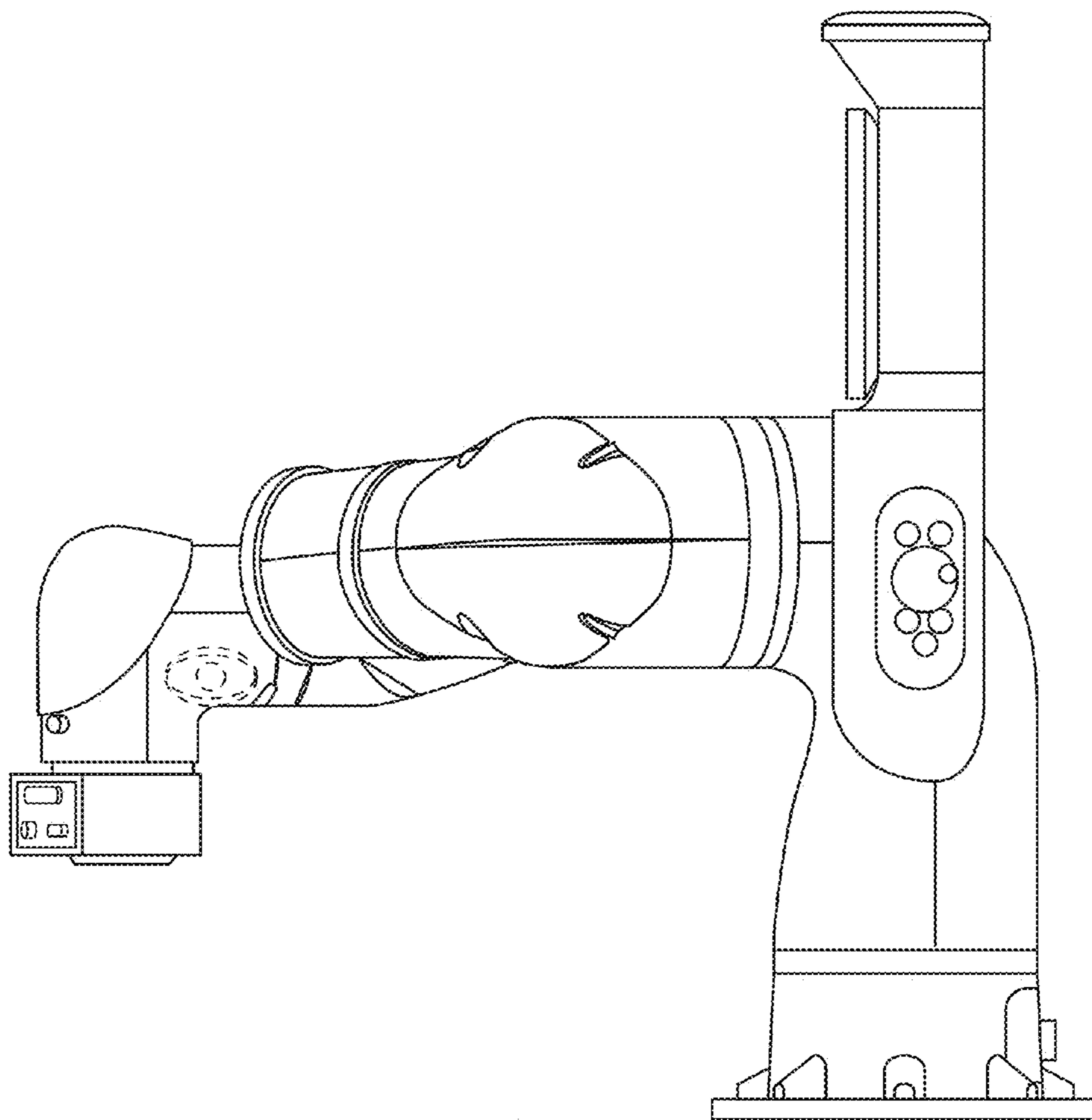


FIG. 5

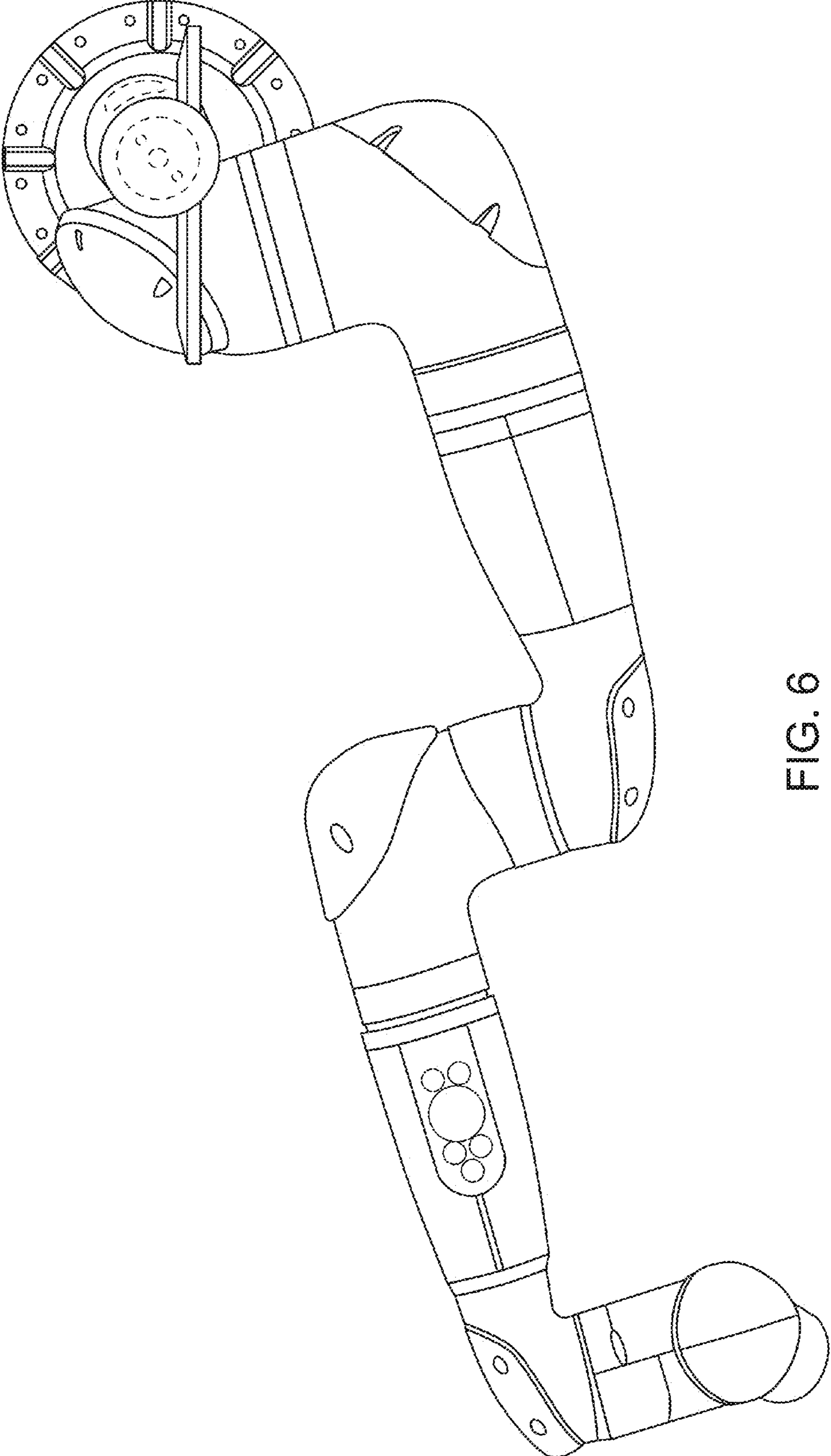


FIG. 6

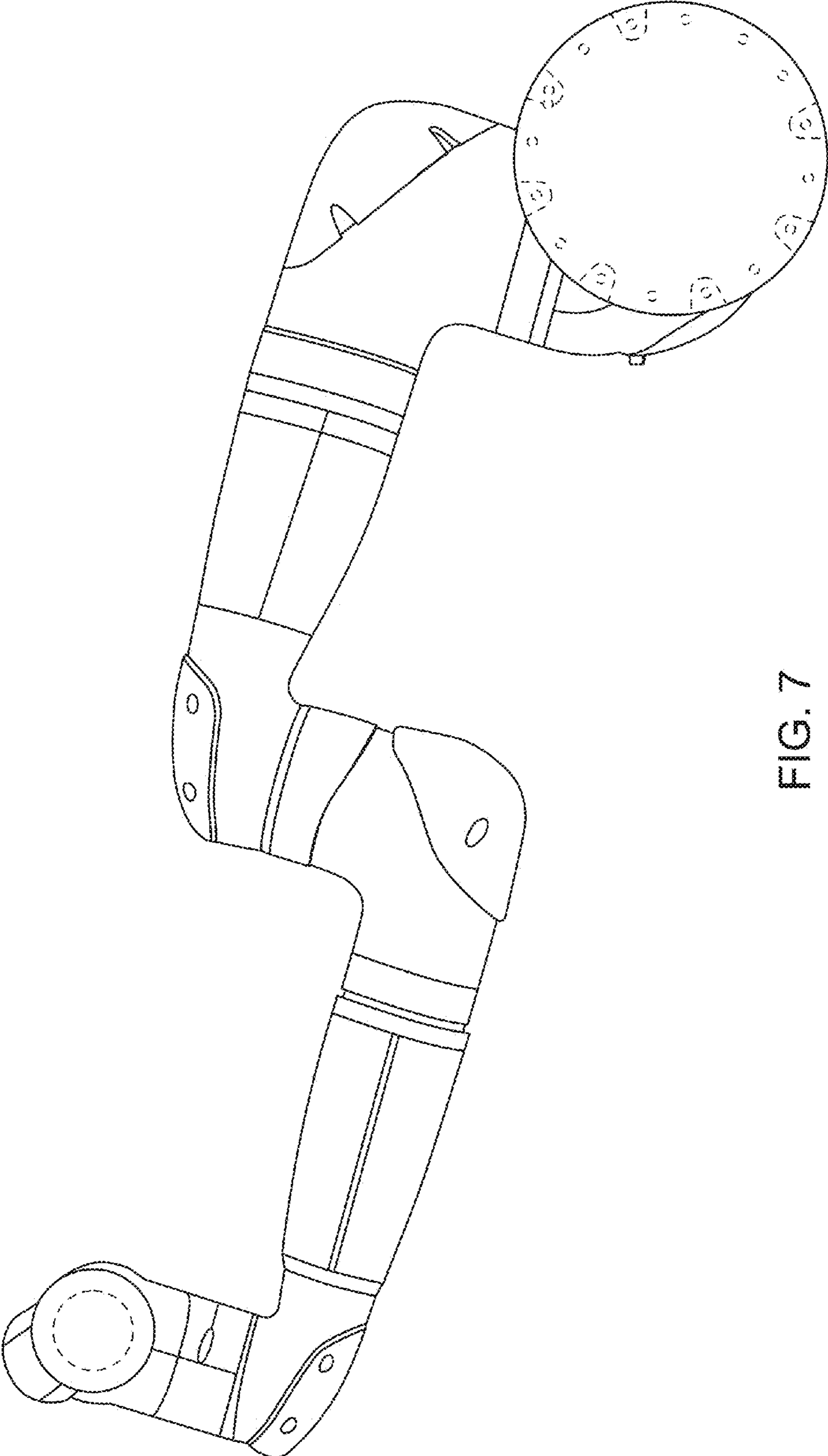


FIG. 7