

US00D761338S

(12) **United States Design Patent**
Gariglio et al.

(10) **Patent No.:** **US D761,338 S**
(45) **Date of Patent:** **** Jul. 12, 2016**

(54) **BILLET PUSH ROD**
(71) Applicant: **Inter-Power Corporation**, Almont, MI (US)
(72) Inventors: **Gary M. Gariglio**, Metamora, MI (US); **Edward P. Potoczak**, Rochester Hills, MI (US); **Brian C. Smith**, Almont, MI (US); **David J. Wagner**, Port Huron, MI (US); **James W. Nankervis**, Imlay City, MI (US); **Patrick H. McRee**, Lapeer, MI (US)

(73) Assignee: **Inter-Power Corporation**, Almont, MI (US)

(**) Term: **14 Years**

(21) Appl. No.: **29/497,584**

(22) Filed: **Jul. 25, 2014**

(51) **LOC (10) Cl.** **15-09**

(52) **U.S. Cl.**
USPC **D15/138**

(58) **Field of Classification Search**
USPC D15/128, 131, 138, 140; D19/65, 72; D8/70, 71
See application file for complete search history.

(56) **References Cited**

U.S. PATENT DOCUMENTS

1,660,128	A *	2/1928	Joy	123/90.63
2,067,114	A *	1/1937	Ashton	123/90.61
3,550,415	A *	12/1970	Tarenskeen	72/31.07
4,719,785	A *	1/1988	Gancia	72/250
4,850,315	A *	7/1989	Mallas	123/90.61
5,000,137	A *	3/1991	Wreinert et al.	123/90.61
5,154,145	A *	10/1992	Blane	123/90.61
5,226,312	A *	7/1993	Gautier et al.	73/129
5,507,100	A *	4/1996	Magnet et al.	33/603
5,558,185	A *	9/1996	Tribuzio et al.	188/72.6
5,934,151	A *	8/1999	Carr et al.	74/512
5,976,130	A *	11/1999	McBrayer et al.	606/48
6,065,984	A *	5/2000	Tung	439/159
6,112,681	A *	9/2000	Adcox	112/80.4

6,238,132	B1 *	5/2001	Plantan et al.	403/343
6,279,667	B1 *	8/2001	Culver	175/19
6,470,790	B1 *	10/2002	Hewitt	92/187
6,581,558	B1 *	6/2003	Ott	123/90.61
6,584,943	B1 *	7/2003	Klotz	123/90.16
6,691,659	B2 *	2/2004	Laimbock	123/90.61
6,744,360	B2 *	6/2004	Fulks et al.	340/479
6,854,436	B1 *	2/2005	English	123/90.61
7,409,755	B2 *	8/2008	Smith et al.	29/219
7,465,309	B2 *	12/2008	Walen	606/167
7,513,610	B2 *	4/2009	Silverbrook et al.	347/84
7,633,024	B1 *	12/2009	Gibboney, Jr.	200/51.1
7,669,328	B1 *	3/2010	Wake	29/890.053

OTHER PUBLICATIONS

SMS Elotherm GmbH, iZone Innovation, <https://web.archive.org/web/20130510101215/http://www.sms-elotherm.com/en/products/induction-heating.html>, May 10, 2013.
SMS Elotherm GmbH, iZone Innovation, <http://www.sms-elotherm.com/en/products/induction-heating/energy-management-izone.html>, Jun. 11, 2015.

* cited by examiner

Primary Examiner — Patricia Palasik

(74) *Attorney, Agent, or Firm* — Young Basile Hanlon & MacFarlane, P.C.

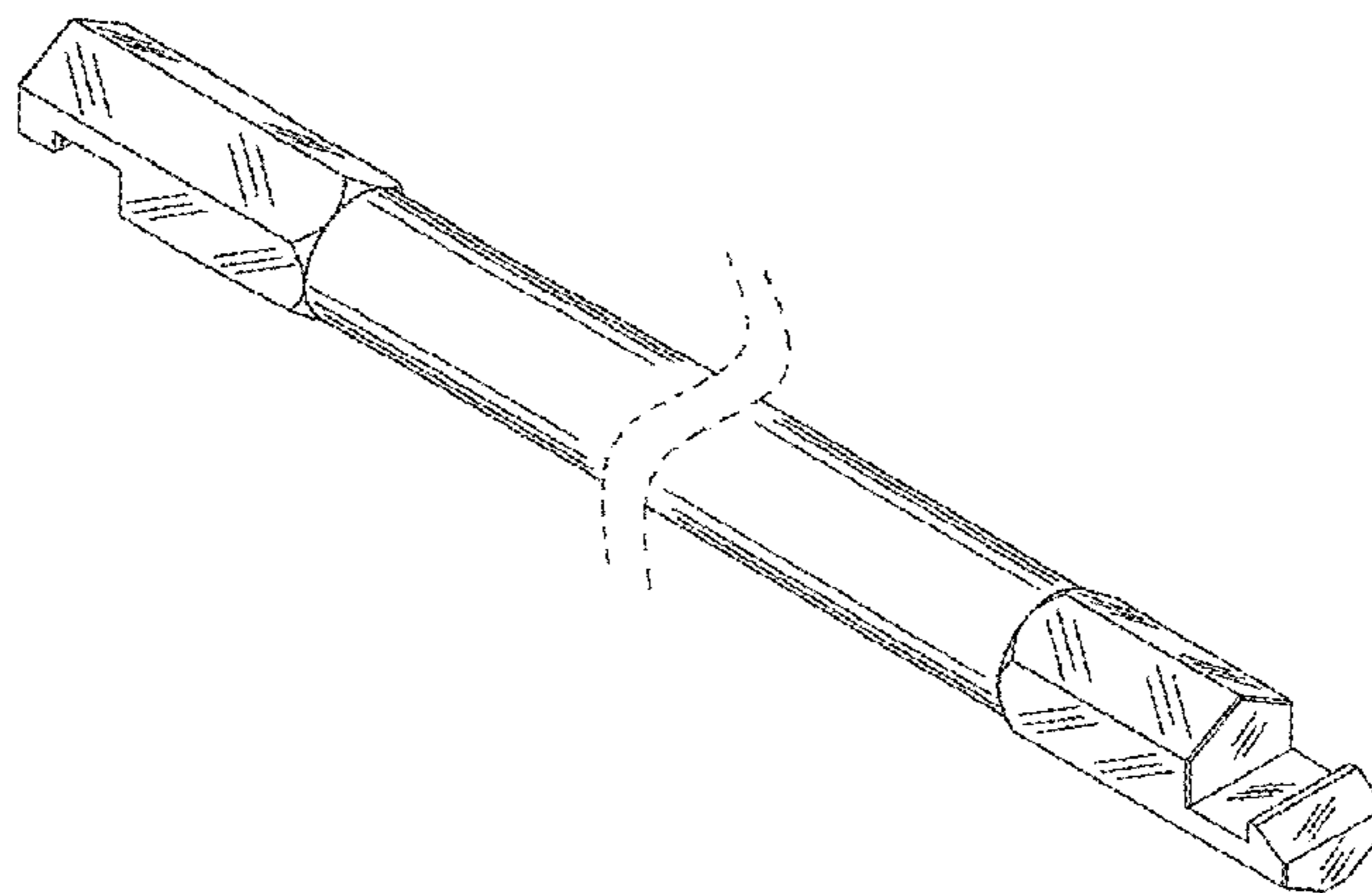
(57) **CLAIM**

What is claim is the ornamental design for a billet push rod, as shown and described.

DESCRIPTION

FIG. 1 is a top view of the rod;
FIG. 2 is a front view of the rod;
FIG. 3 is a bottom view of the rod;
FIG. 4 is a rear view of the rod;
FIG. 5 is a left-end view of the rod;
FIG. 6 is a right-end view of the rod;
FIG. 7 is a perspective view of the rod; and,
FIG. 8 is an alternate perspective view of the rod.
The broken away symbols in the drawings indicate that any portion of the article beyond what is shown forms no part of the claimed design.

1 Claim, 4 Drawing Sheets



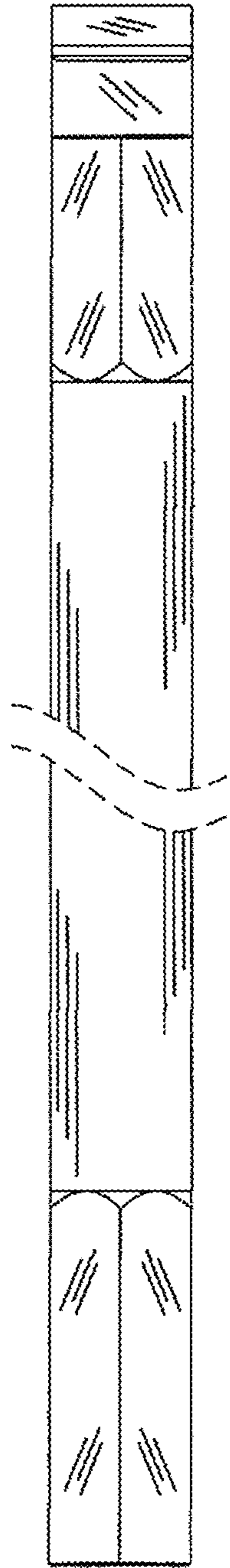


FIG. 1

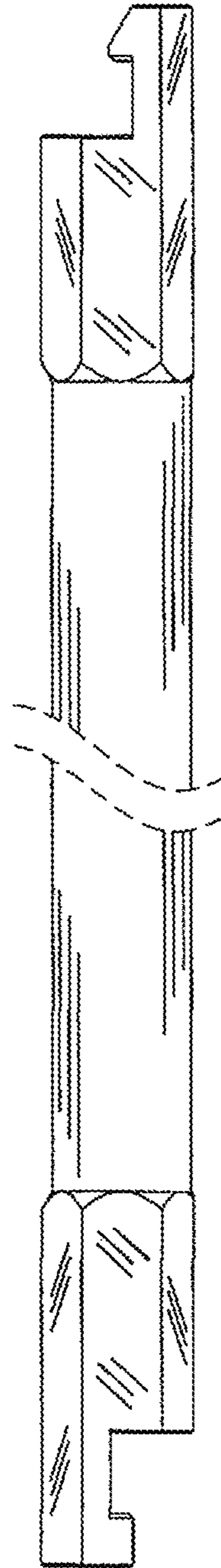


FIG. 2

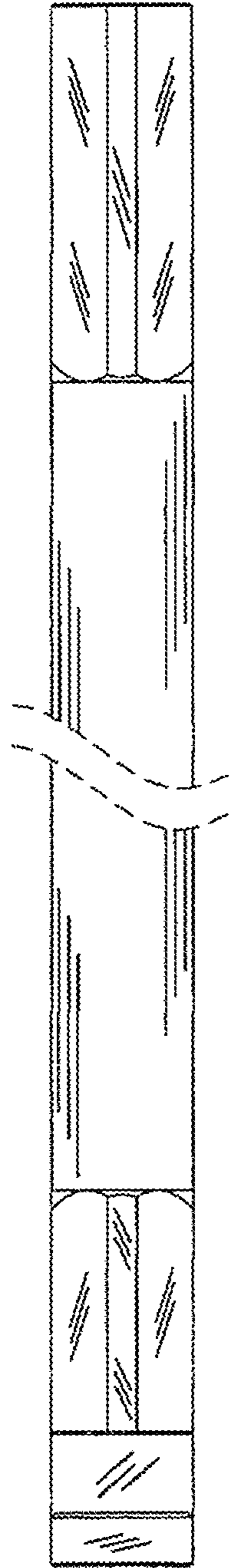


FIG. 3

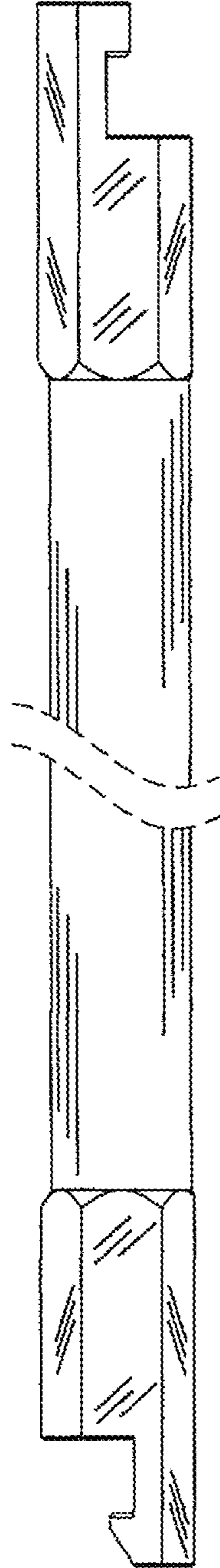


FIG. 4

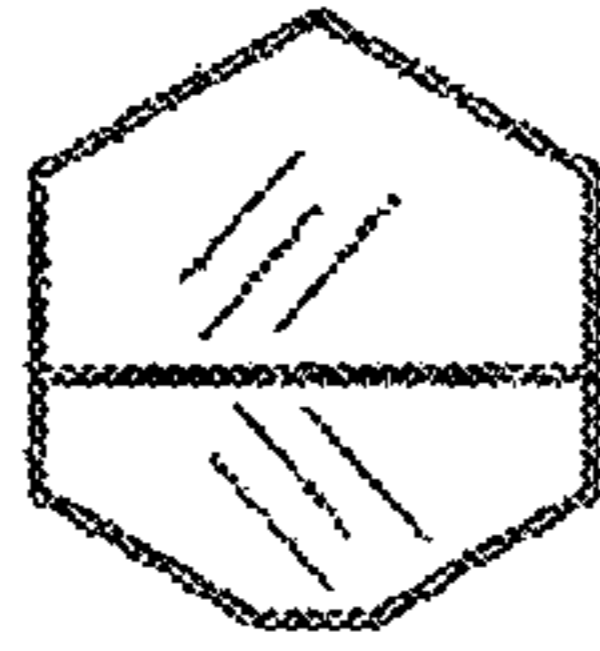


FIG. 5

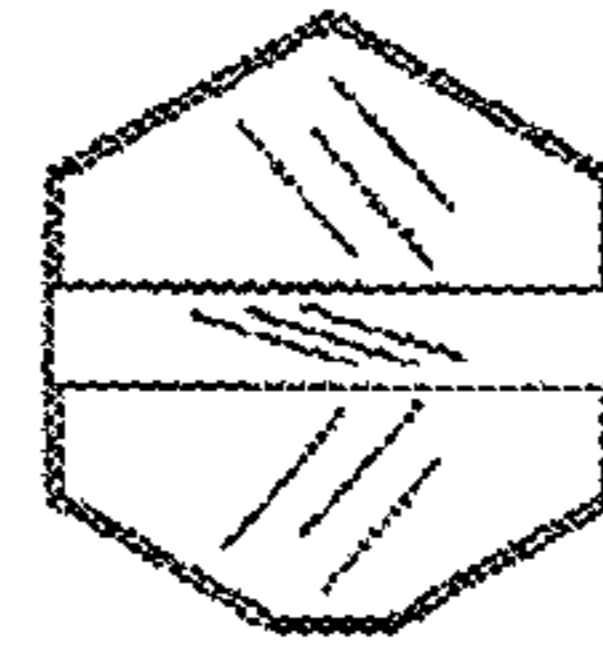


FIG. 6

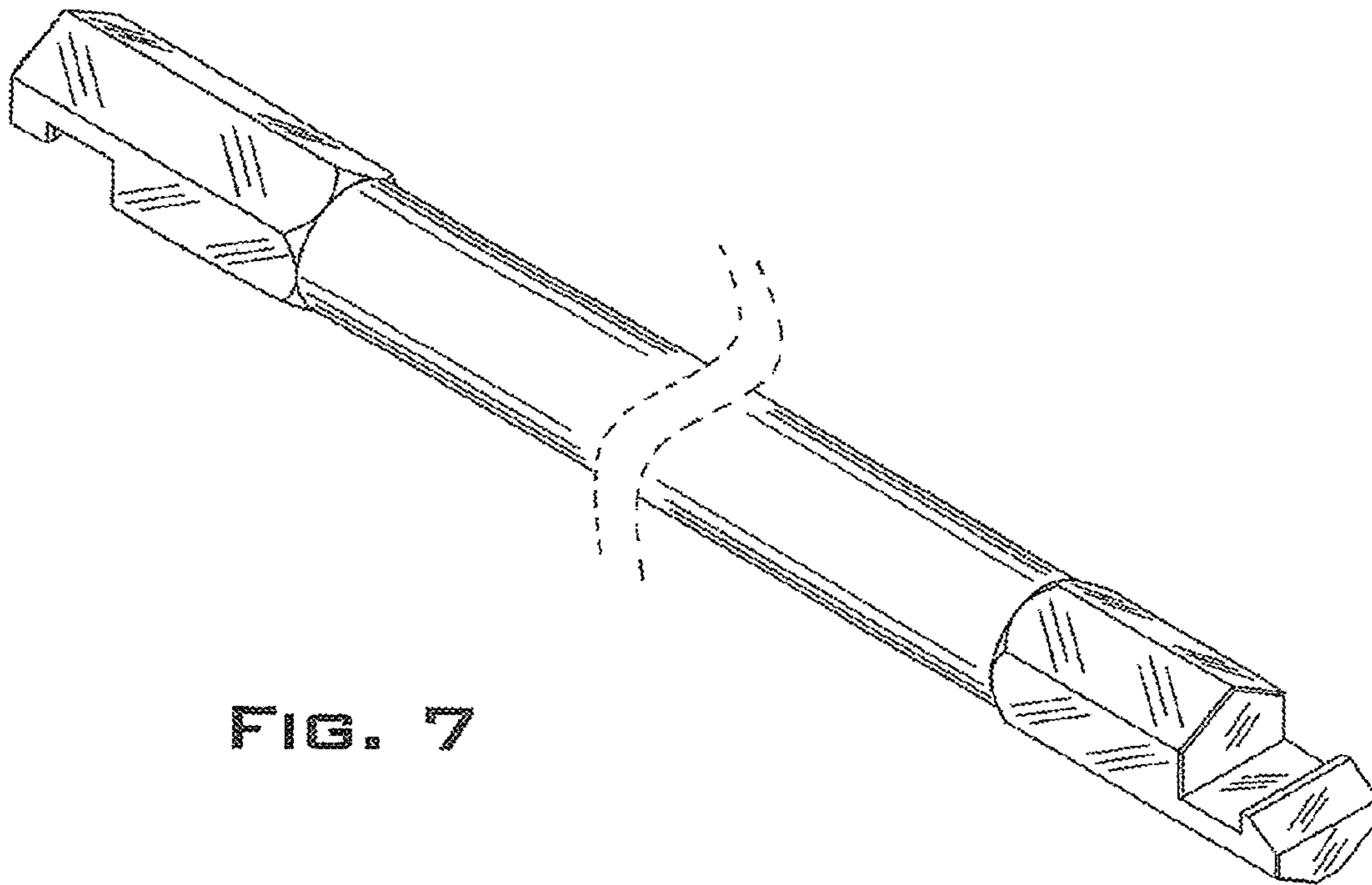


FIG. 7

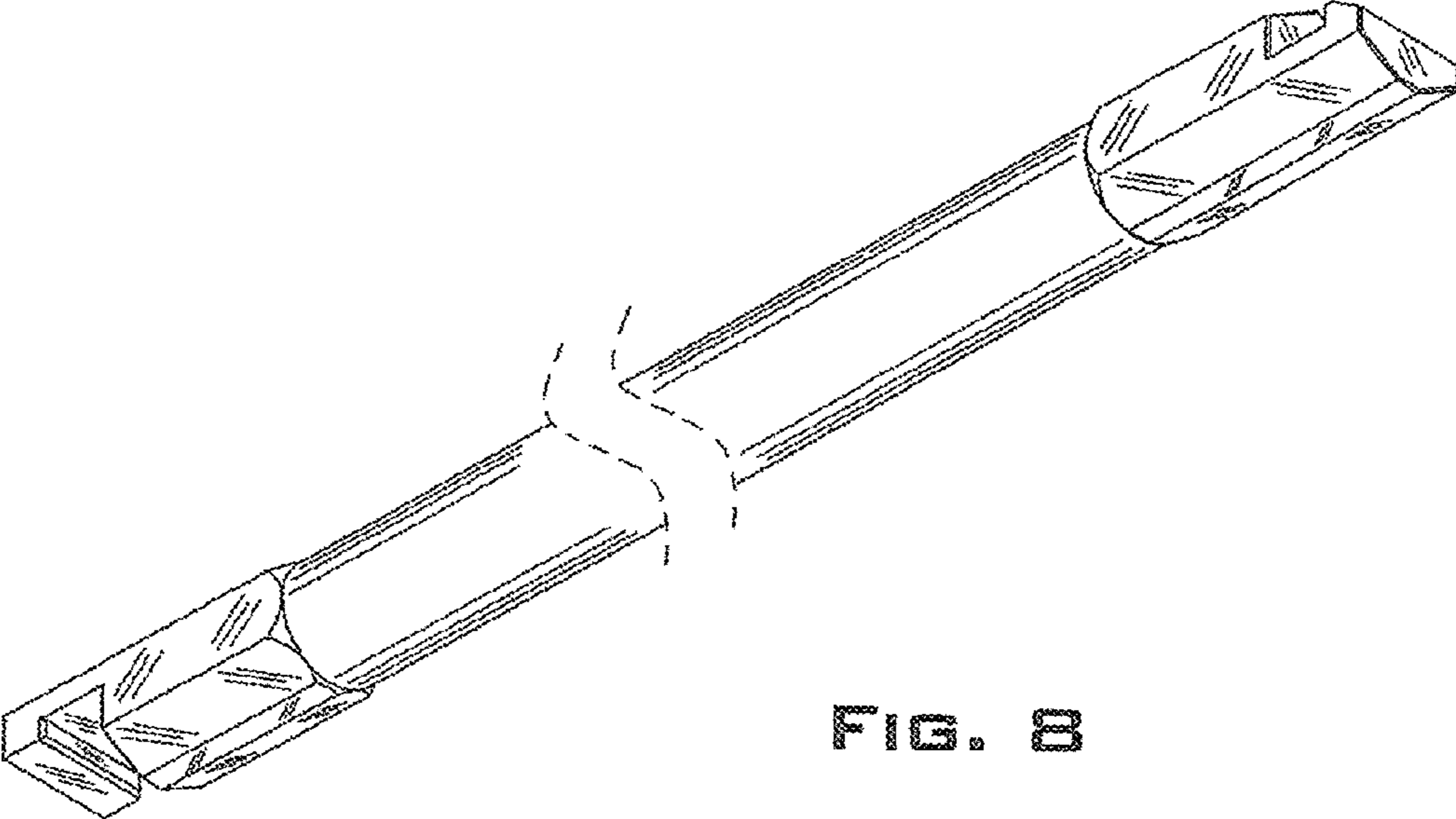


FIG. 8