



US00D761337S

(12) **United States Design Patent**
Eiswerth et al.

(10) **Patent No.:** **US D761,337 S**
(45) **Date of Patent:** **** Jul. 12, 2016**

- (54) **SAW**
- (71) Applicants: **Robert Bosch Tool Corporation**,
Broadview, IL (US); **Robert Bosch GmbH**, Stuttgart (DE)
- (72) Inventors: **Patrick J. Eiswerth**, Chicago, IL (US);
Gregory A. Menze, Mount Prospect, IL (US);
Carl Ceyress, Chicago, IL (US);
Jason LePinske, Esslingen (DE); **Paul Hatch**, Chicago, IL (US)
- (73) Assignee: **Robert Bosch GmbH**, Stuttgart (DE)
- (**) Term: **14 Years**
- (21) Appl. No.: **29/472,827**
- (22) Filed: **Nov. 15, 2013**
- (51) **LOC (10) Cl.** **15-09**
- (52) **U.S. Cl.**
USPC **D15/133**
- (58) **Field of Classification Search**
USPC D15/124-134, 138-143, 28-29, 9, 17;
D10/64, 65; D8/70, 8, 66; D7/412;
82/113; 83/471.3
CPC B23D 45/044-45/048; B21D 17/04;
B23K 7/006; B23B 5/162; B23B 5/163
See application file for complete search history.

D608,375	S	*	1/2010	Kokawa et al.	D15/133
D620,033	S	*	7/2010	Fujiwara et al.	D15/133
D642,208	S	*	7/2011	Okuda et al.	D15/133
D664,572	S	*	7/2012	Zhou et al.	D15/133
8,776,655	B2	*	7/2014	Lin	83/471.3
2008/0216627	A1	*	9/2008	Taylor et al.	83/468.3
2010/0043614	A1	*	2/2010	Gehret et al.	83/471.3
2011/0011229	A1	*	1/2011	Lawlor et al.	83/471.3

* cited by examiner

Primary Examiner — Susan Bennett Hattan

Assistant Examiner — Brett Miller

(74) *Attorney, Agent, or Firm* — Maginot Moore & Beck LLP

(57) **CLAIM**

The ornamental design for a saw, as shown and described.

DESCRIPTION

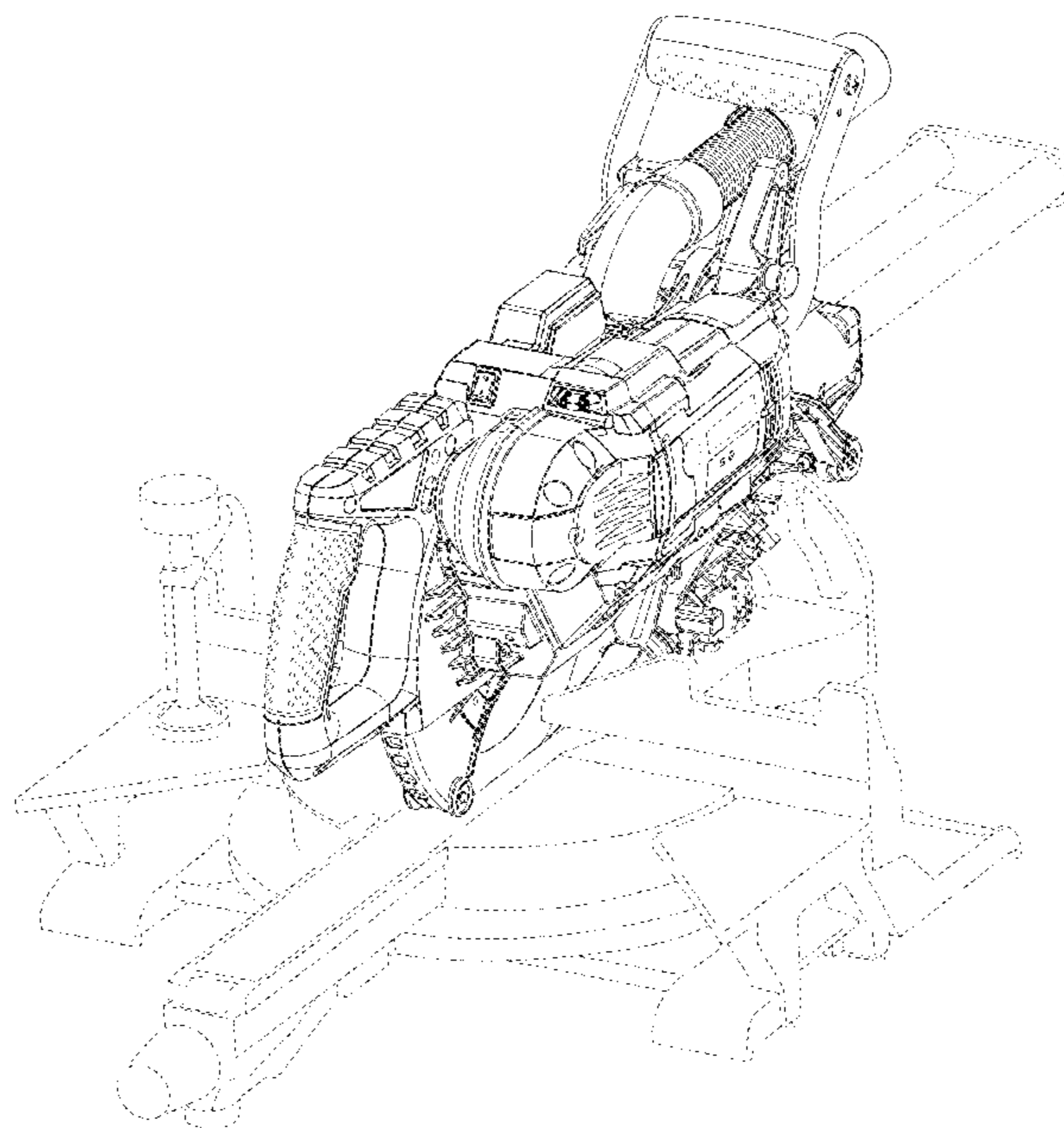
FIG. 1 is a right side perspective view of a saw showing our new design;
 FIG. 2 is a left side perspective view showing the design for the saw of FIG. 1;
 FIG. 3 is a right side elevational view showing the design for the saw of FIG. 1;
 FIG. 4 is a left side elevational view showing the design for the saw of FIG. 1;
 FIG. 5 is a front elevational view showing the design for the saw of FIG. 1;
 FIG. 6 is a rear elevational view showing the design for the saw of FIG. 1;
 FIG. 7 is a top plan view showing the design for the saw of FIG. 1; and,
 FIG. 8 is a bottom plan view showing the design for the saw of FIG. 1.
 The broken lines shown in the figures illustrate portions of the saw that form no part of the claimed design.

1 Claim, 8 Drawing Sheets

(56) **References Cited**

U.S. PATENT DOCUMENTS

6,769,338	B2	*	8/2004	Svetlik et al.	83/471.3
D513,271	S	*	12/2005	Ozawa et al.	D15/133
D529,936	S	*	10/2006	Taniguchi et al.	D15/133
D539,108	S	*	3/2007	Roberts	D8/66
D566,142	S	*	4/2008	Gavins	D15/133



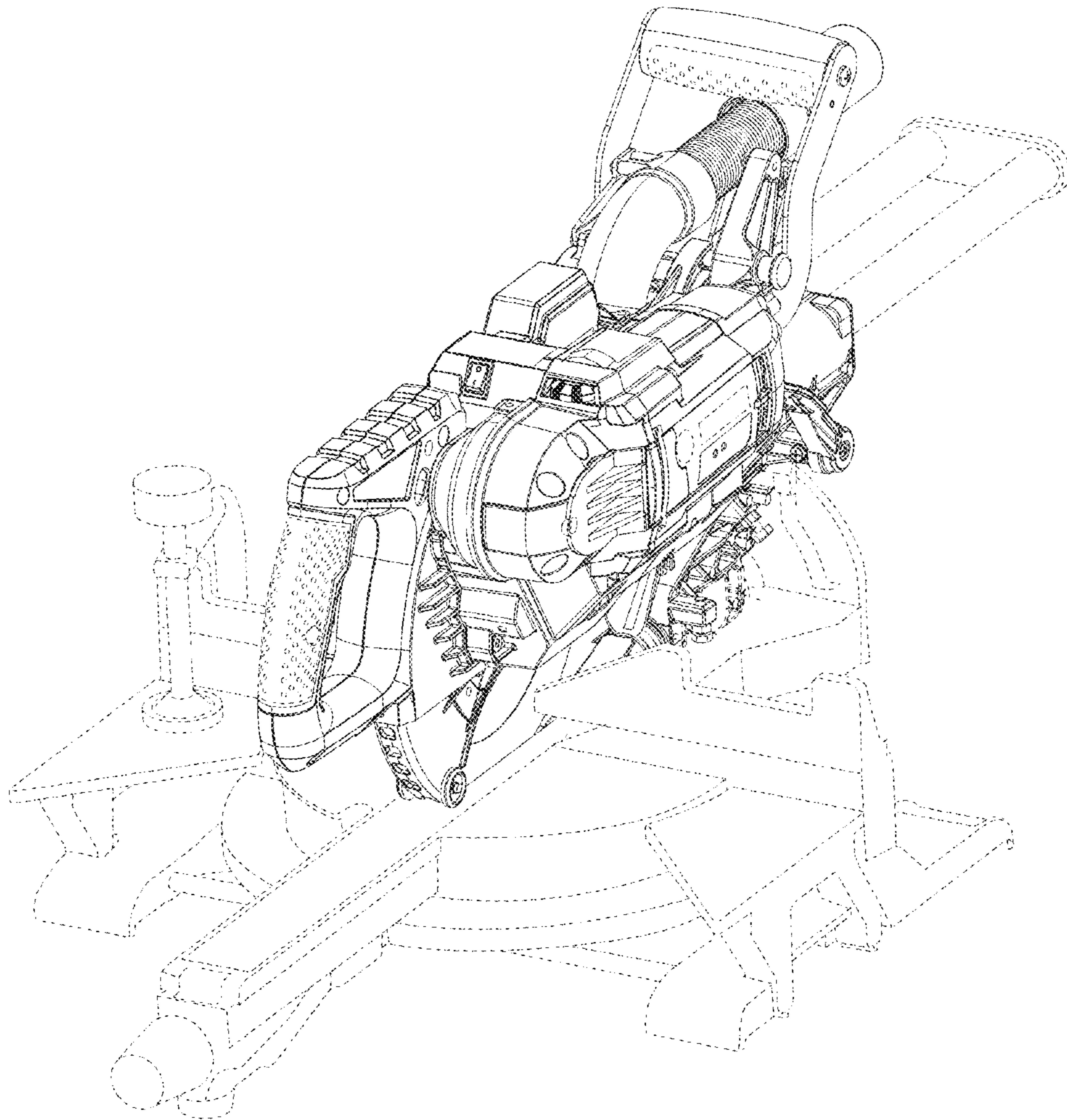


FIG. 1

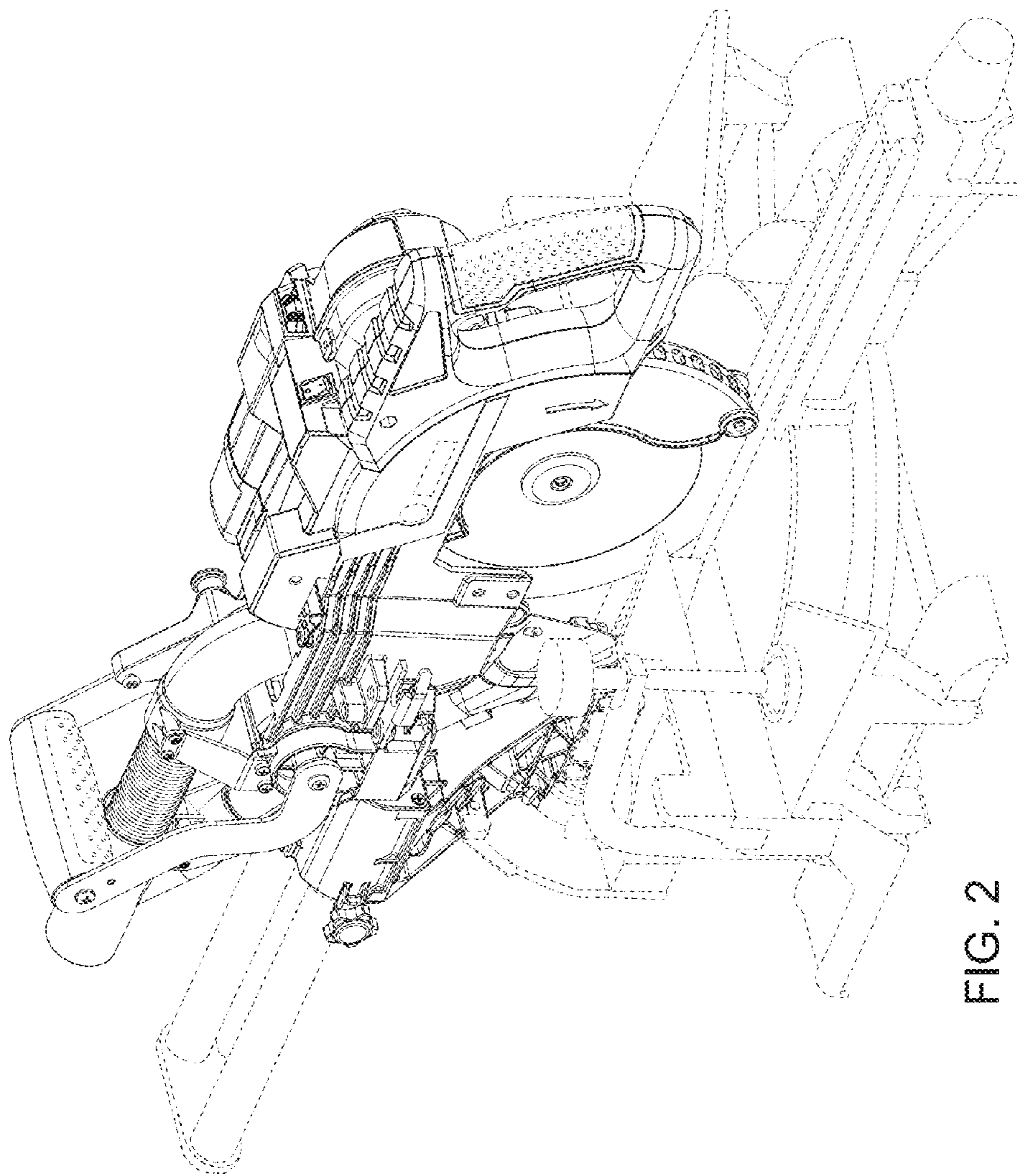


FIG. 2

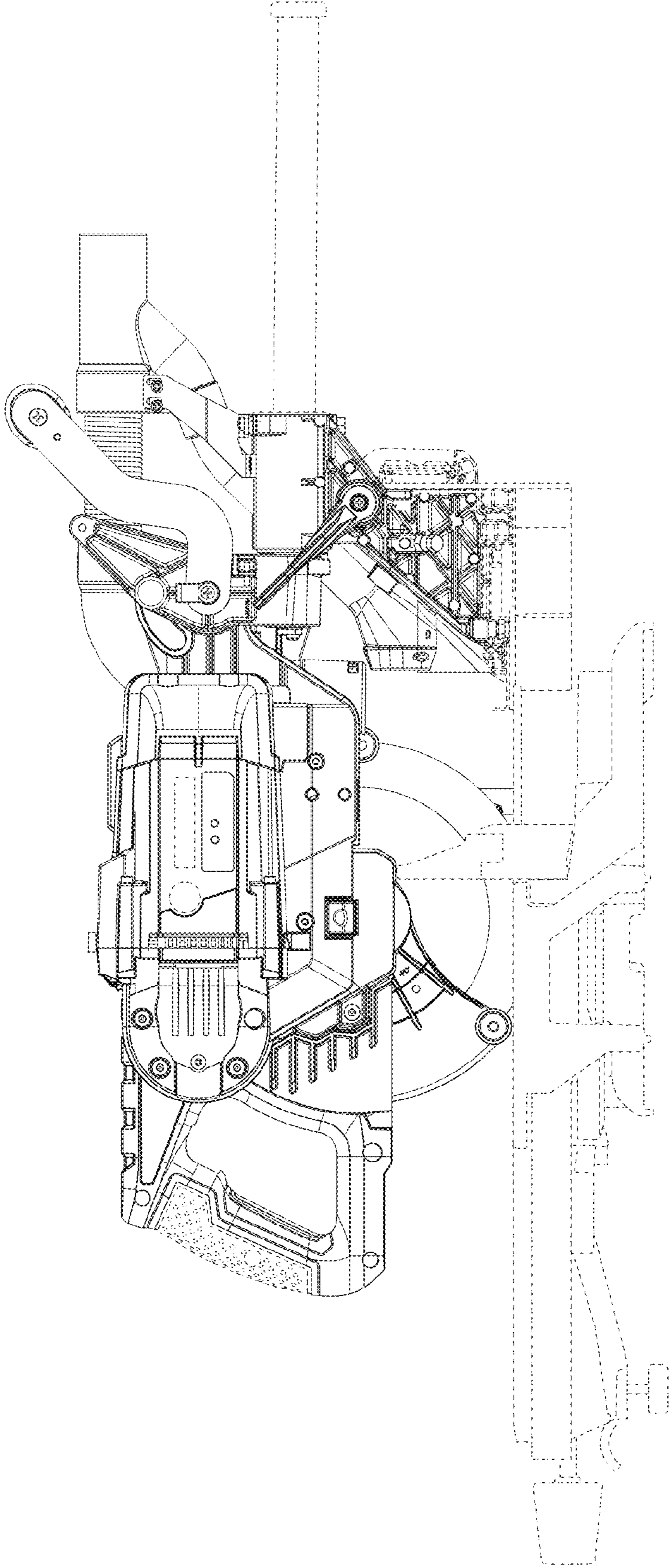


FIG. 3

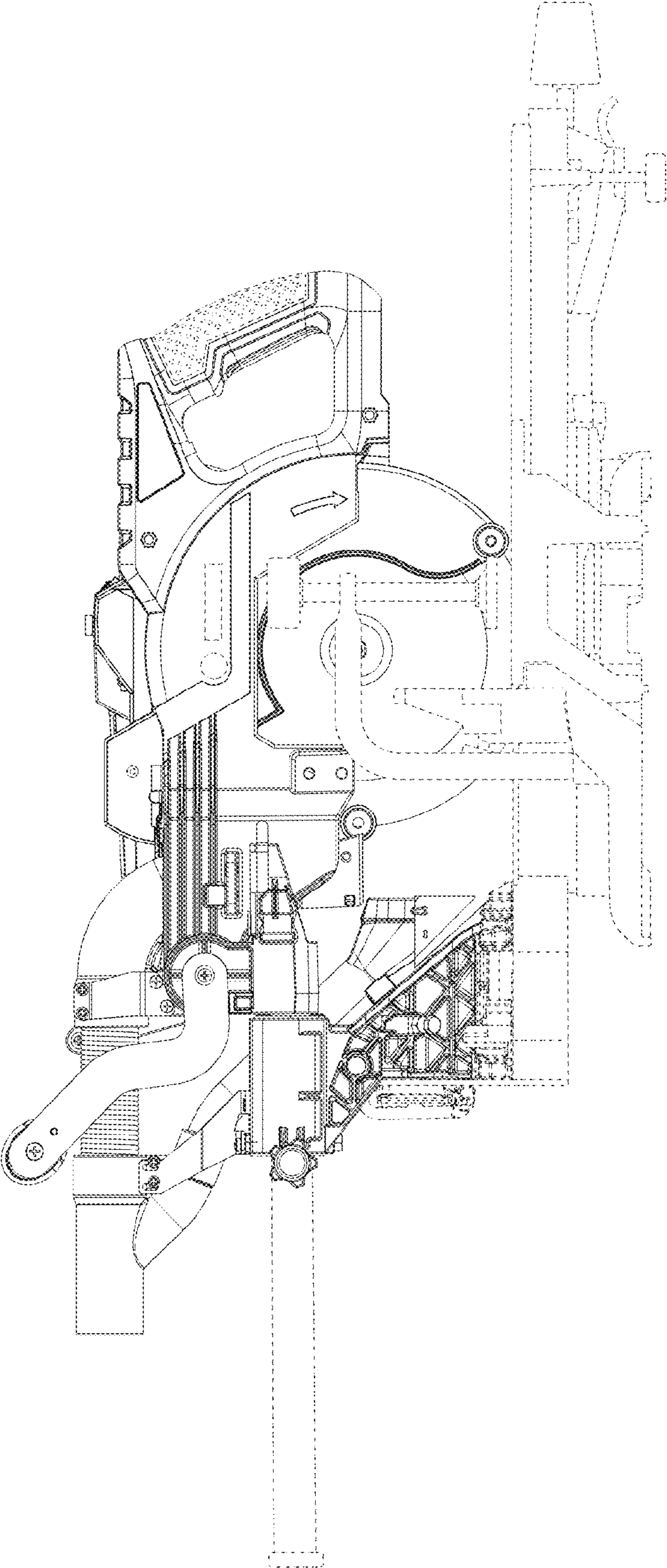


FIG. 4

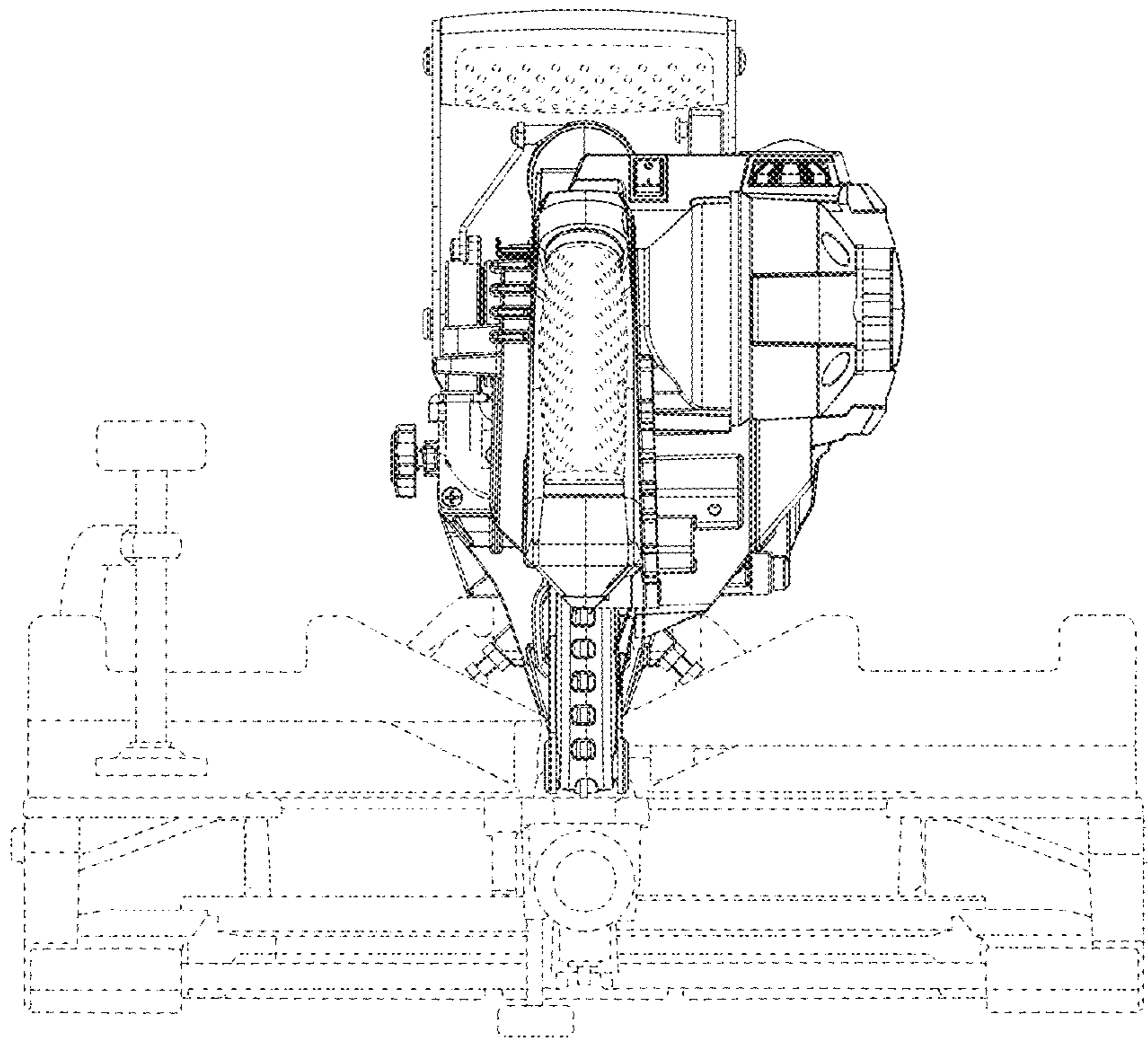


FIG. 5

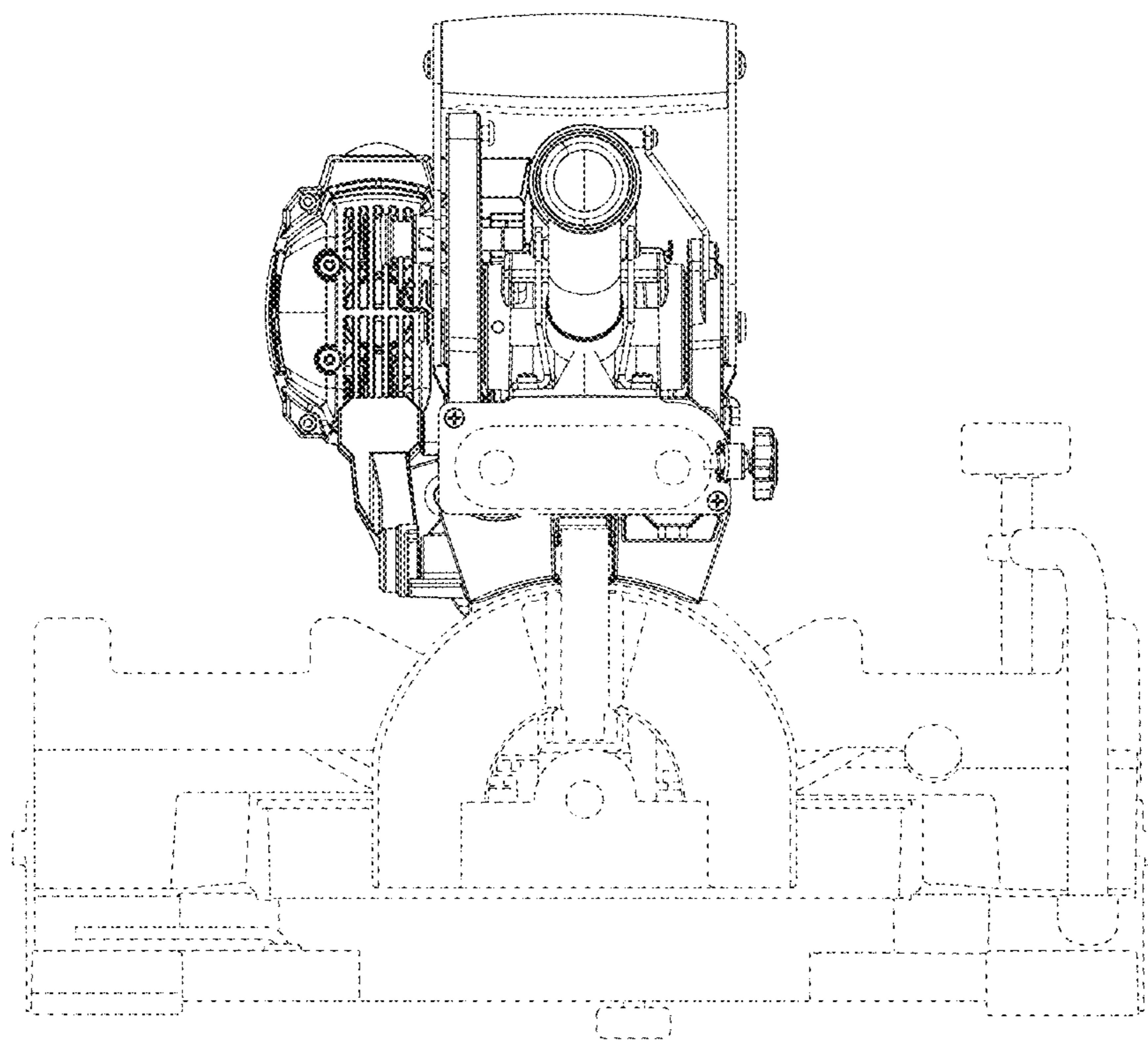


FIG. 6

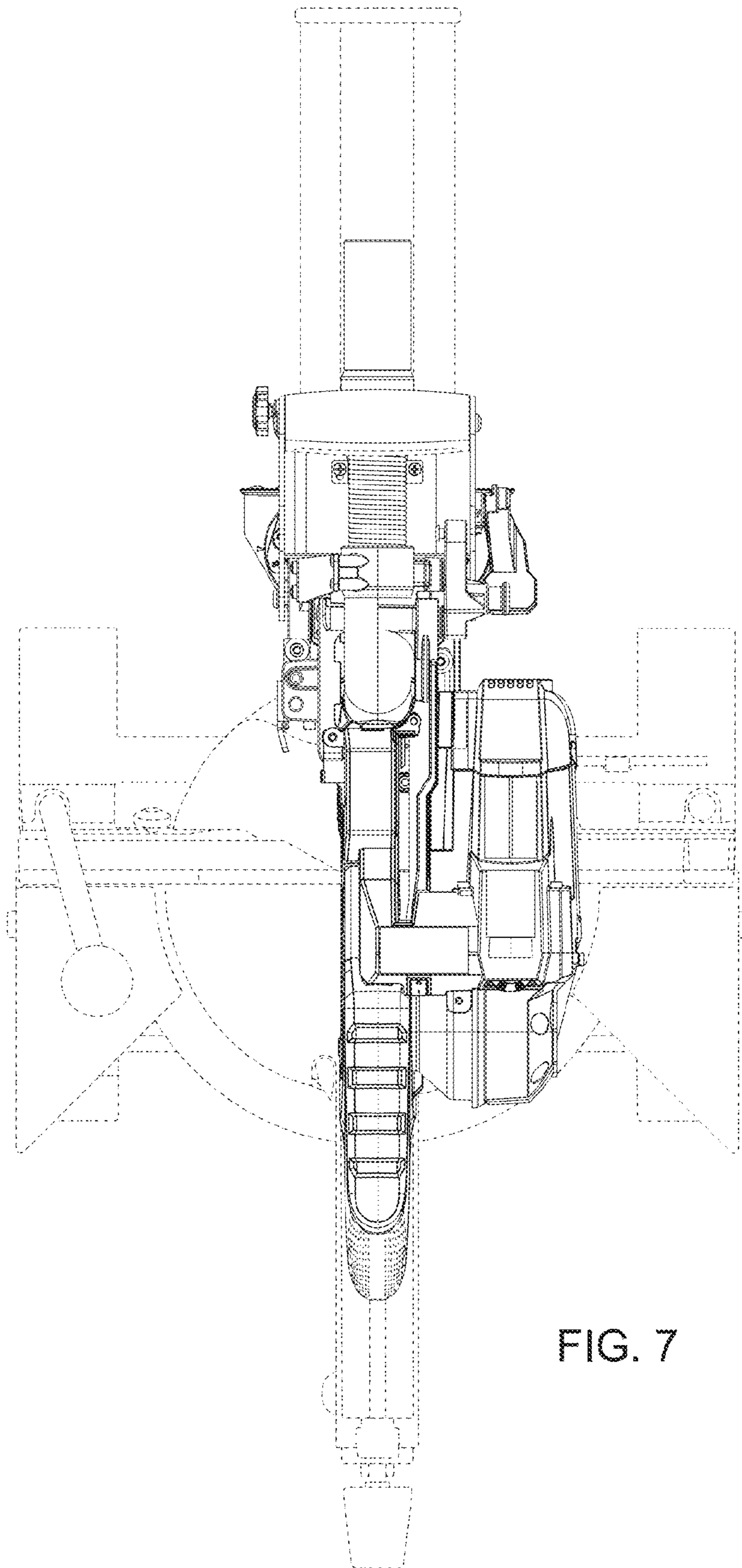


FIG. 7

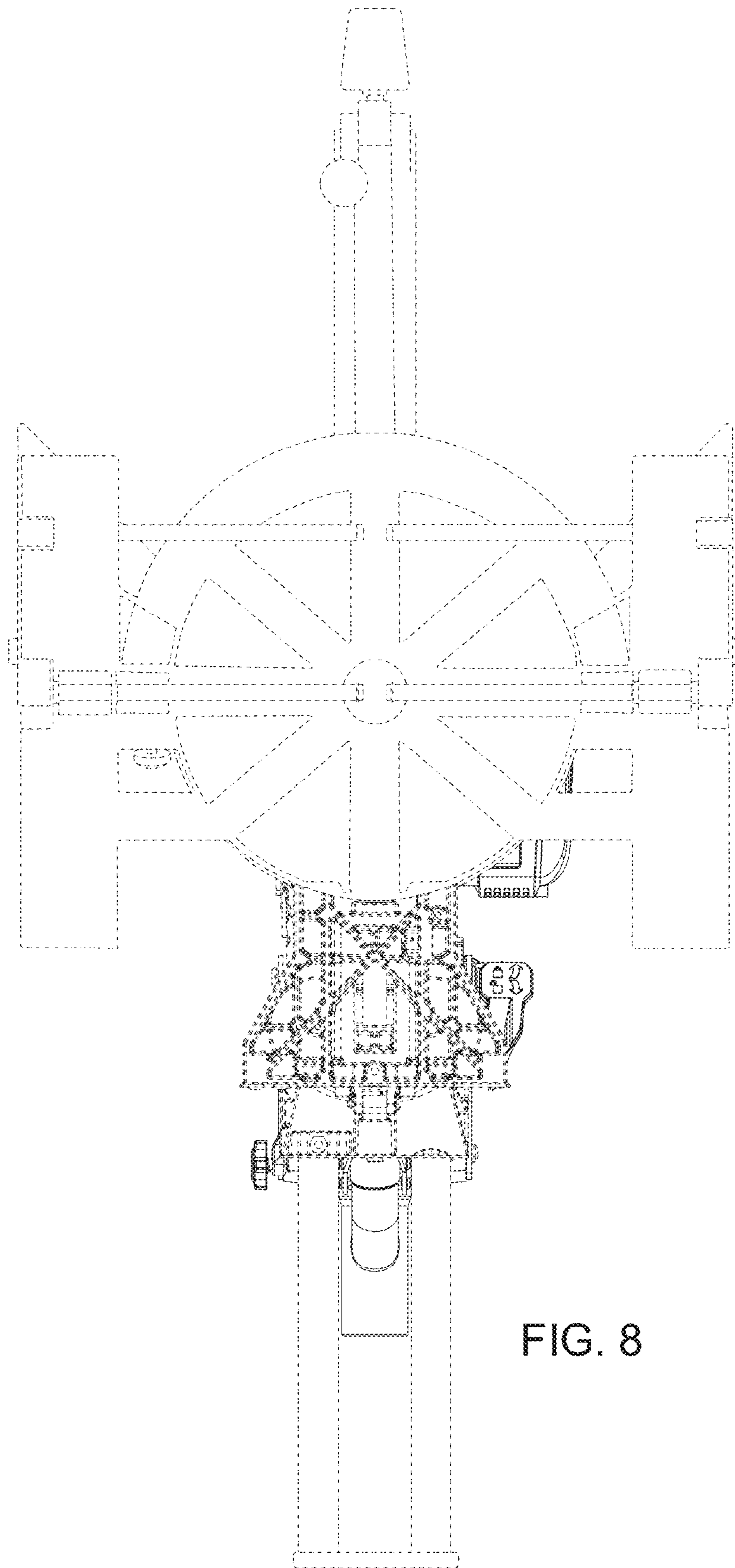


FIG. 8