



US00D761331S

(12) **United States Design Patent**  
**Choi**

(10) **Patent No.:** **US D761,331 S**  
(45) **Date of Patent:** **\*\* Jul. 12, 2016**

- (54) **METALLIC CORE OF RUBBER CRAWLER**
- (71) Applicant: **XENITH TRACK CO., LTD.**, Daejeon (KR)
- (72) Inventor: **Yong Jae Choi**, Daejeon (KR)
- (73) Assignee: **XENITH TRACK CO., LTD.**, Daejeon (KR)
- (\*\*) Term: **15 Years**
- (21) Appl. No.: **29/527,722**
- (22) Filed: **May 21, 2015**
- (51) **LOC (10) Cl.** ..... **15-03**
- (52) **U.S. Cl.**  
USPC ..... **D15/28**
- (58) **Field of Classification Search**  
USPC ..... D15/28, 22-26; 305/167, 170-177, 305/169, 159, 187, 189, 165, 51, 111, 46, 305/198, 53, 204, 193; 428/120  
CPC .... B62D 55/24; B62D 55/244; B62D 55/253; B62D 55/00; B62D 55/26; B62D 55/18; B62D 55/202; B62D 55/205  
See application file for complete search history.

- 5,997,110 A \* 12/1999 Katoh ..... B62D 55/244 305/169
- 6,106,083 A \* 8/2000 Ono ..... B62D 55/26 305/171
- 6,176,557 B1 \* 1/2001 Ono ..... B62D 55/244 305/173
- 6,588,862 B1 \* 7/2003 Pringiers ..... B62D 55/244 305/167
- 6,805,416 B2 \* 10/2004 Ueno ..... B62D 55/24 305/171
- D587,728 S \* 3/2009 Shimozono ..... D15/28
- D588,167 S \* 3/2009 Shimozono ..... D15/28
- D588,168 S \* 3/2009 Shimozono ..... D15/28
- 7,625,049 B2 \* 12/2009 Kurokawa ..... B62D 55/253 305/167

(Continued)

*Primary Examiner* — Mark Goodwin  
(74) *Attorney, Agent, or Firm* — Rabin & Berdo, P.C.

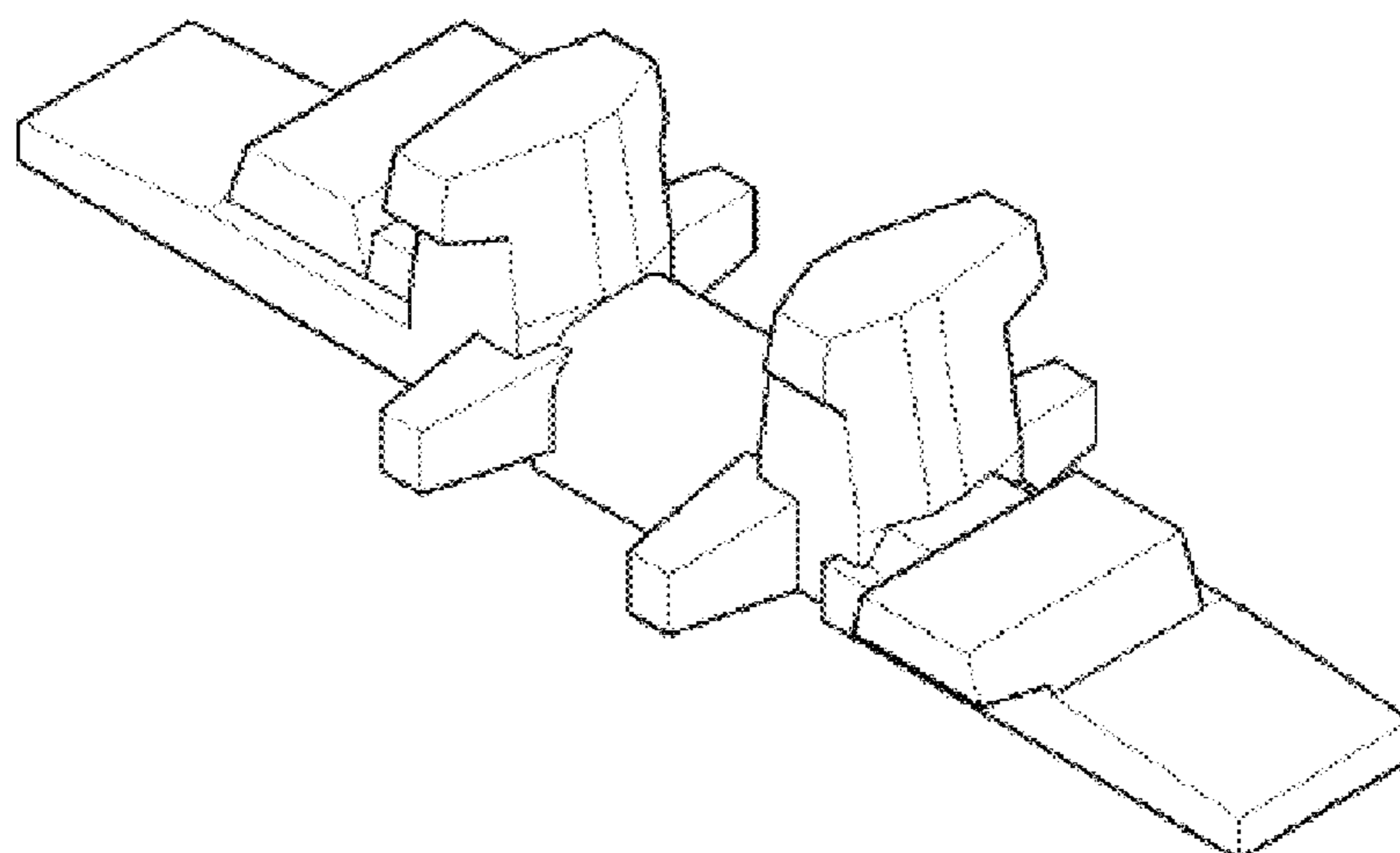
(57) **CLAIM**  
The ornamental design for a metallic core of rubber crawler, as shown and described.

**DESCRIPTION**

The patent or application file contains at least one drawing executed in color. Copies of this patent or patent application publication with color drawing(s) will be provided by the Office upon request and payment of the necessary fee.  
FIG. 1 is a perspective view of a metallic core of rubber crawler;  
FIG. 2 is a front elevational view thereof;  
FIG. 3 is a rear elevational view thereof;  
FIG. 4 is a left side elevational view thereof;  
FIG. 5 is a right side elevational view thereof;  
FIG. 6 is a top view thereof;  
FIG. 7 is a bottom view thereof;  
FIG. 8 is a cross-sectional view taken along line A-A;  
FIG. 9 is a cross-sectional view taken along line B-B; and,  
FIG. 10 is a cross-sectional view taken along line C-C.

**1 Claim, 5 Drawing Sheets**  
**(2 of 5 Drawing Sheet(s) Filed in Color)**

- (56) **References Cited**  
U.S. PATENT DOCUMENTS
- 5,131,728 A \* 7/1992 Katoh ..... B62D 55/244 305/174
- 5,308,155 A \* 5/1994 Katoh ..... B62D 55/244 305/171
- 5,380,076 A \* 1/1995 Hori ..... B62D 55/244 305/171
- 5,403,643 A \* 4/1995 Tsuru ..... B62D 55/202 305/167
- 5,522,654 A \* 6/1996 Katoh ..... B62D 55/244 305/167
- 5,522,655 A \* 6/1996 Katoh ..... B62D 55/244 305/167



(56)

**References Cited**

U.S. PATENT DOCUMENTS

D617,816 S *	6/2010	Abiko .....	D15/28	2005/0218722 A1*	10/2005	Kurokawa .....	B62D 55/253 305/171
D618,255 S *	6/2010	Abiko .....	D15/28	2006/0279138 A1*	12/2006	Kato .....	B62D 55/244 305/177
D655,724 S *	3/2012	Shimozono .....	D15/28	2010/0013297 A1*	1/2010	Kimura .....	B62D 55/244 305/177
8,186,774 B2*	5/2012	Kato .....	B62D 55/205 305/172	2013/0033100 A1*	2/2013	Mizusawa .....	B62D 55/244 305/159
D676,068 S *	2/2013	Shimozono .....	D15/28				
2005/0116540 A1*	6/2005	Katoh .....	B62D 55/244 305/177				

\* cited by examiner

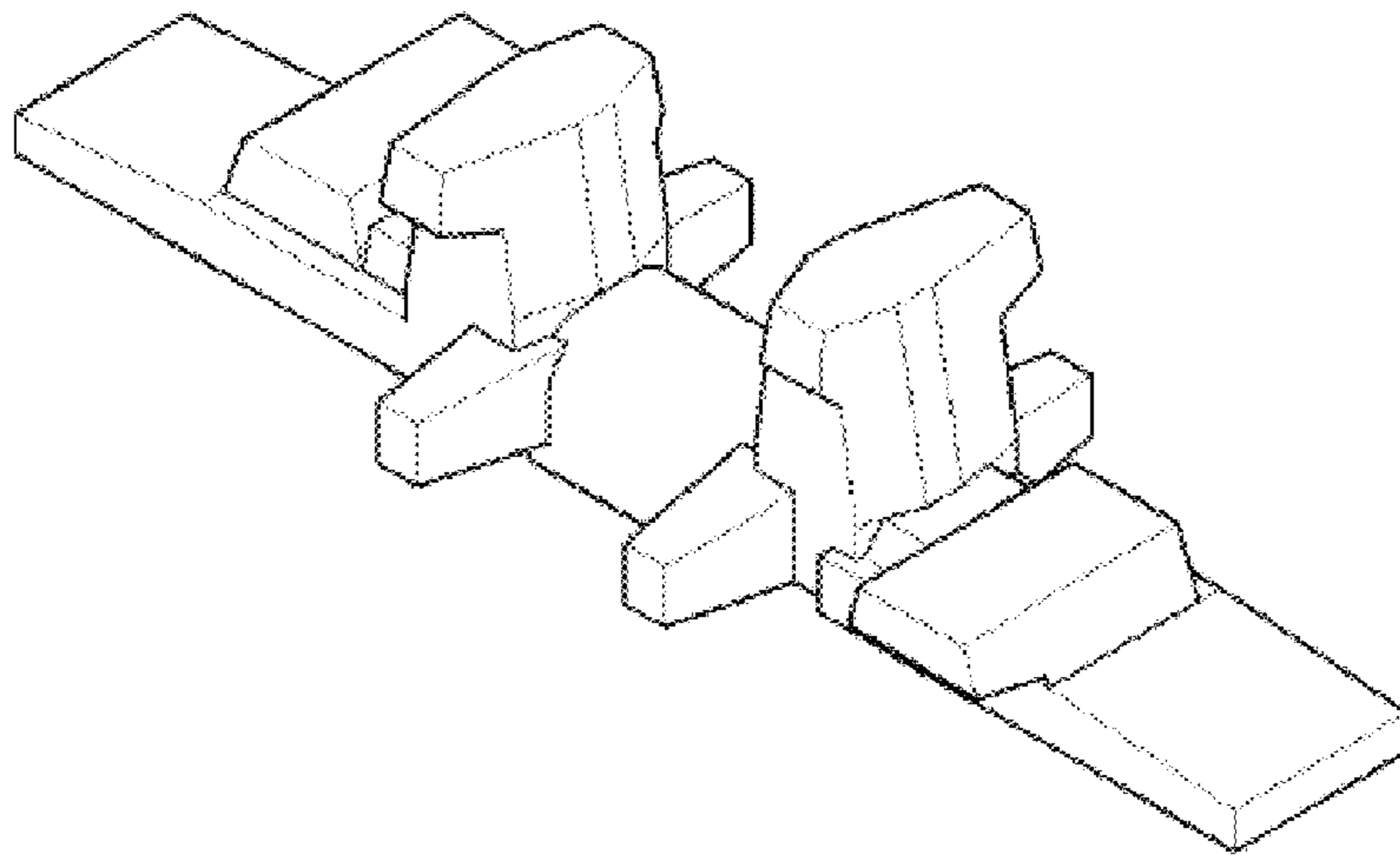


FIG. 1

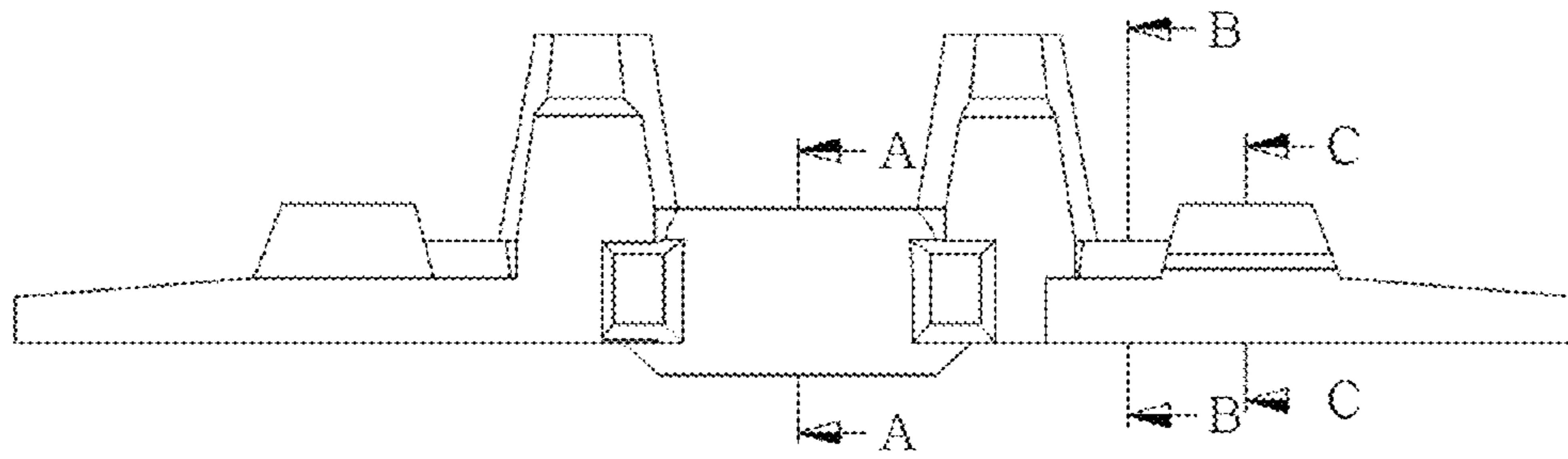


FIG. 2

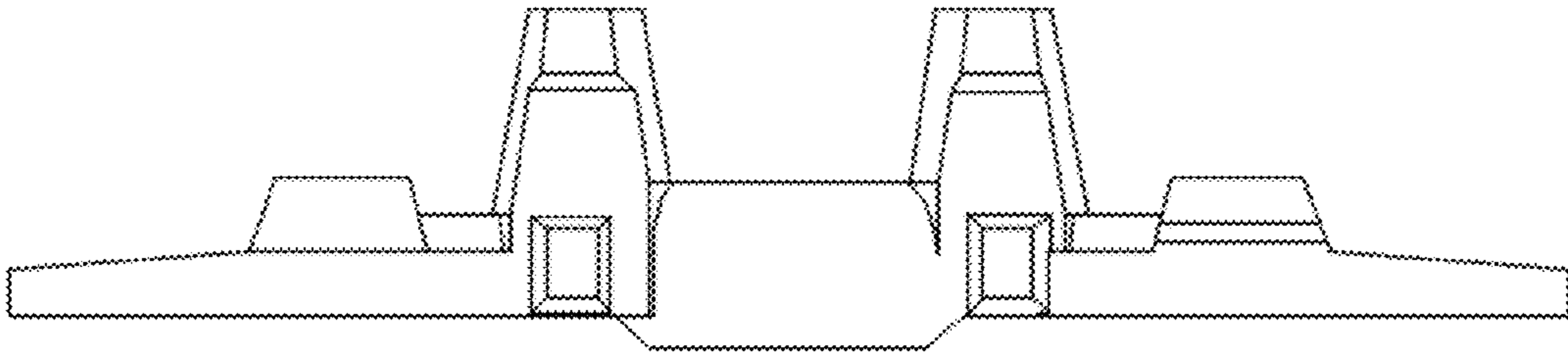


FIG. 3

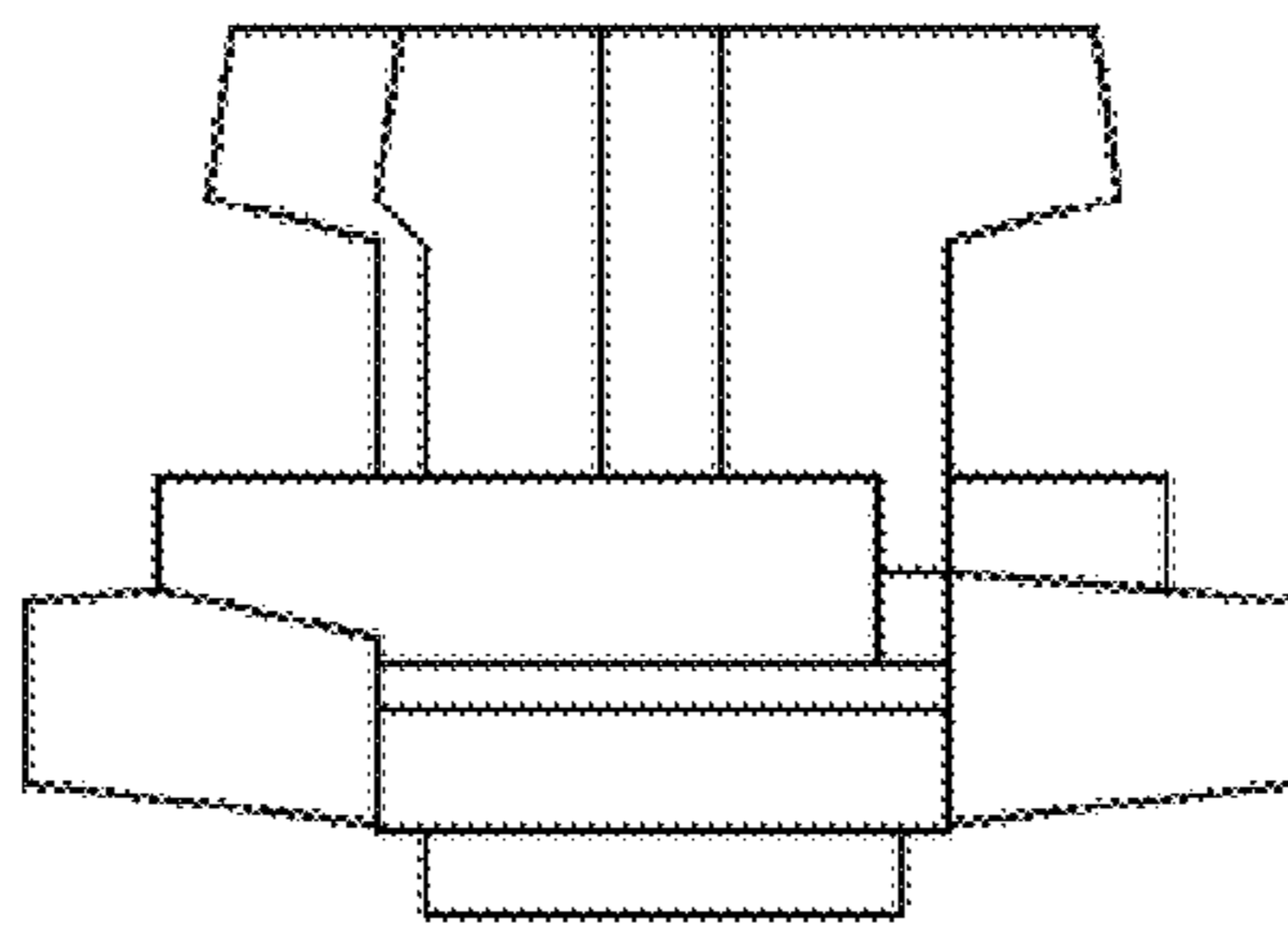


FIG. 4

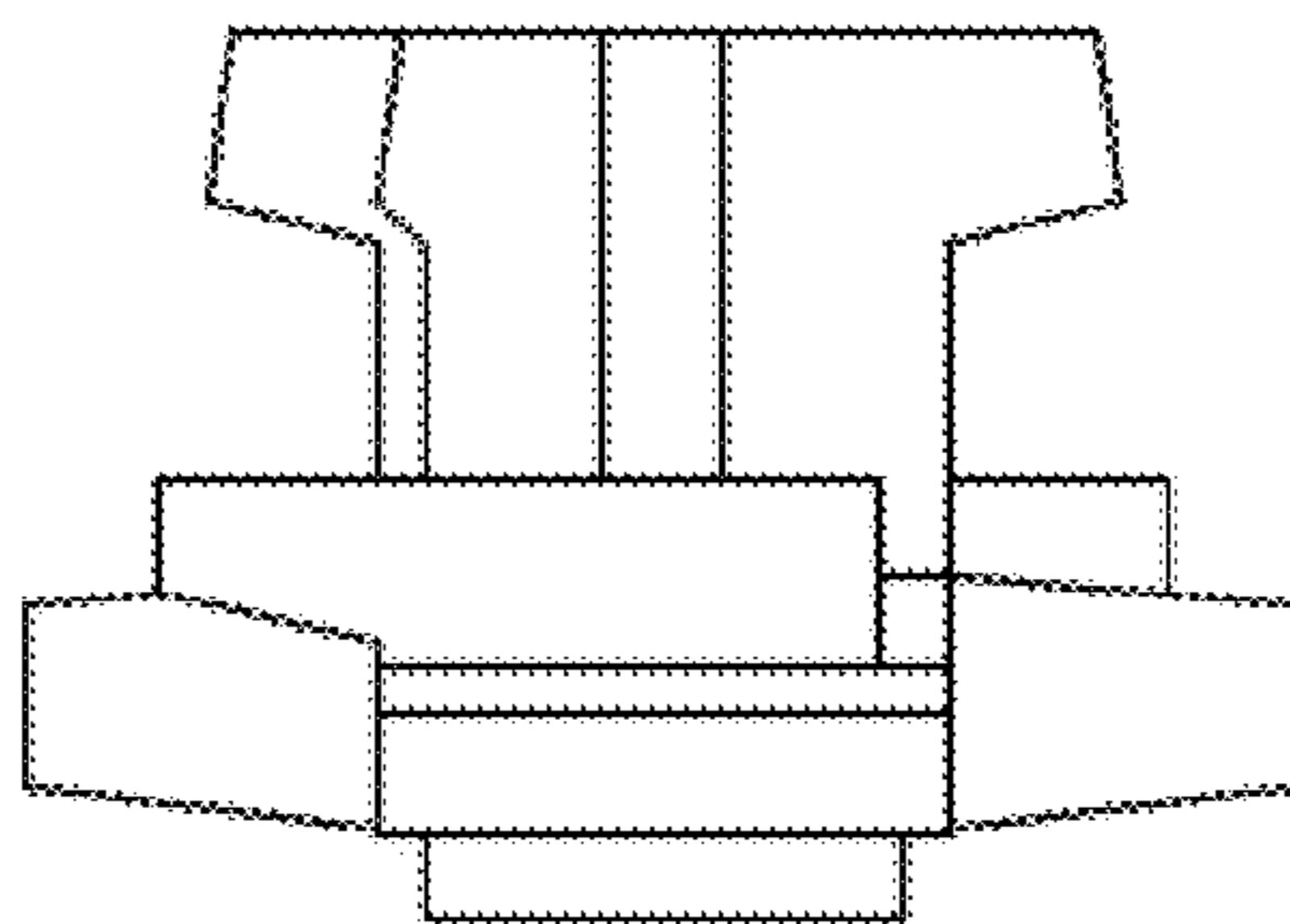


FIG. 5

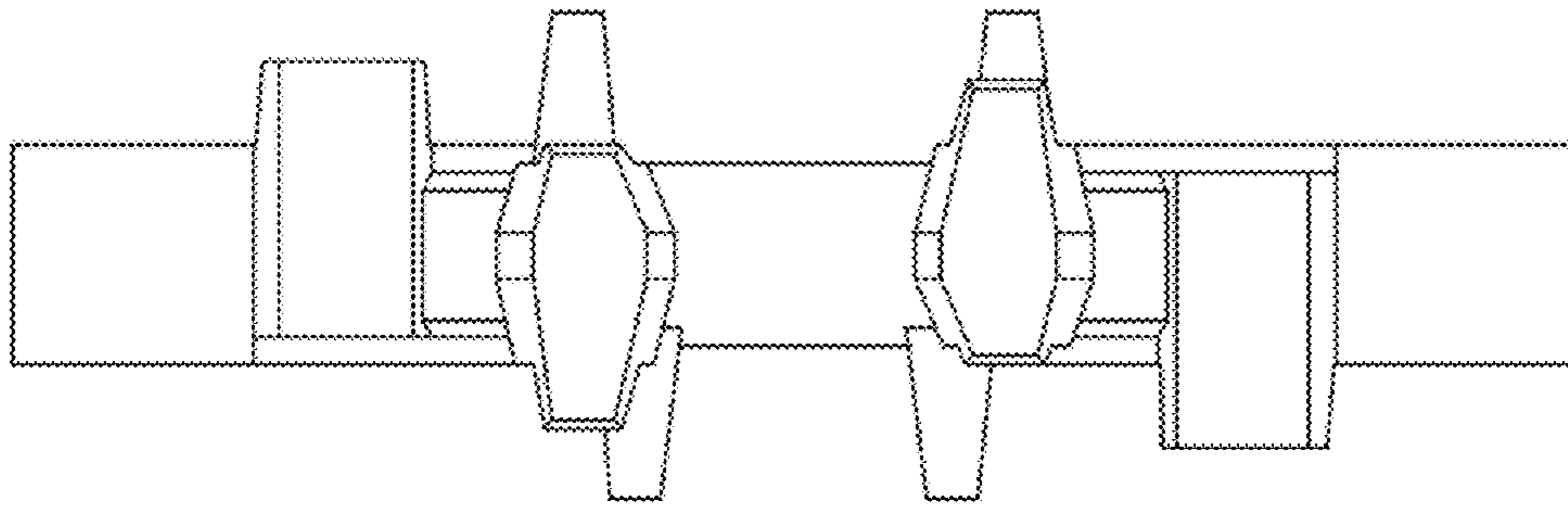


FIG. 6

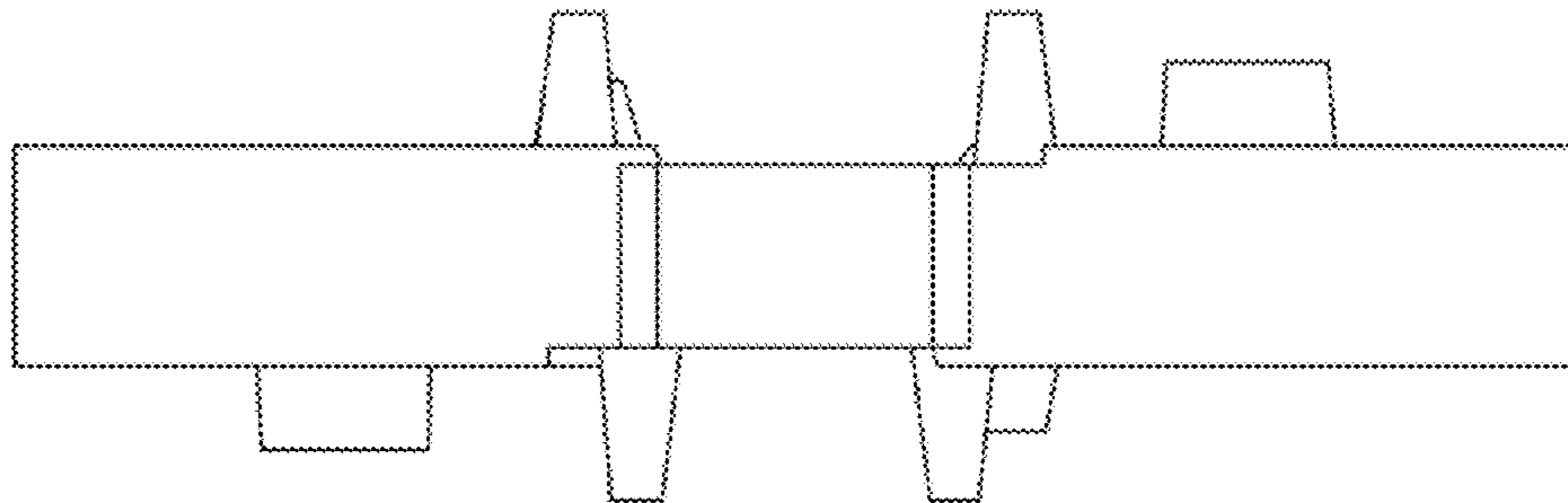


FIG. 7

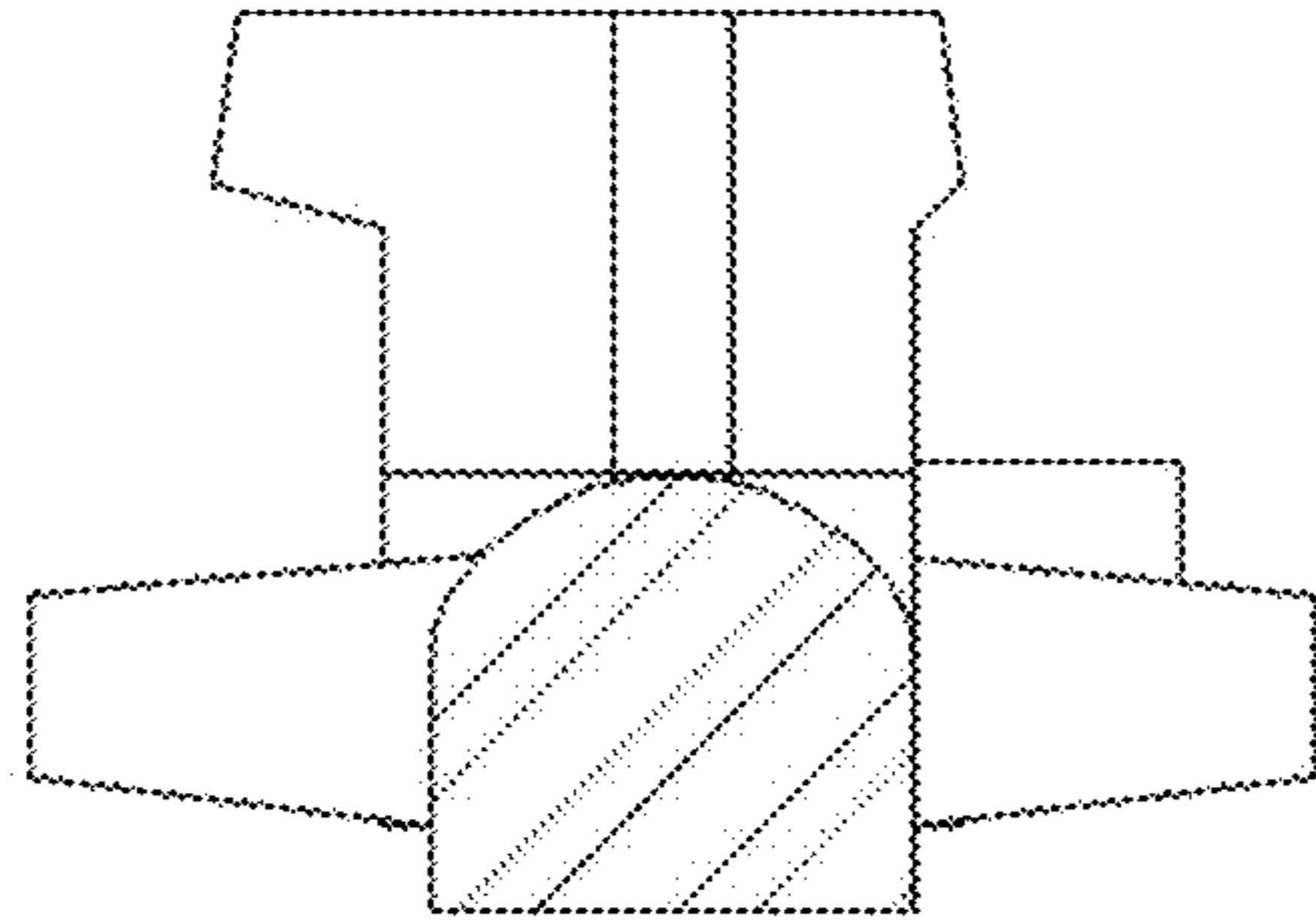


FIG. 8

(A-A Cross-sectional view)

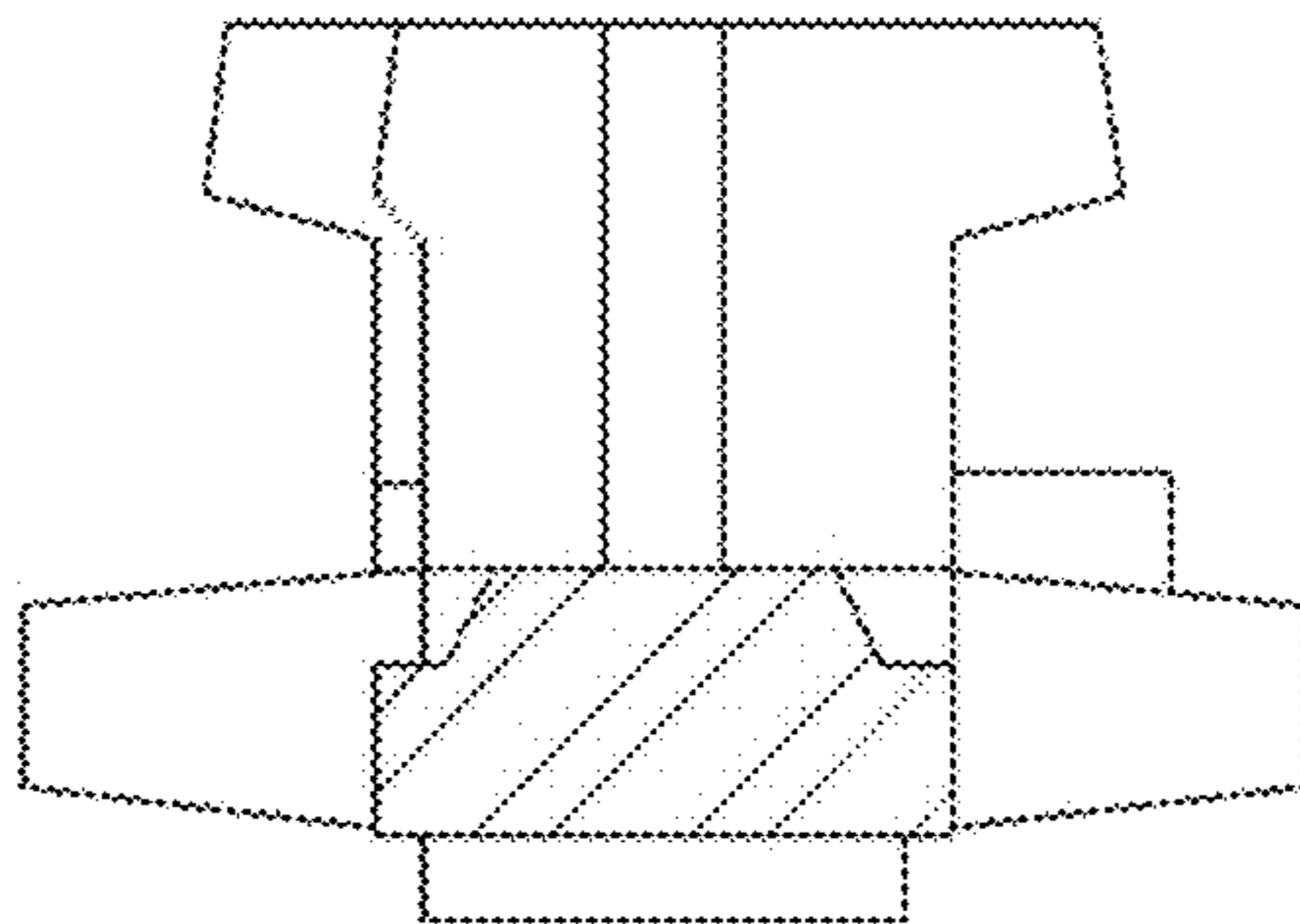


FIG. 9

(B-B Cross Sectional view)

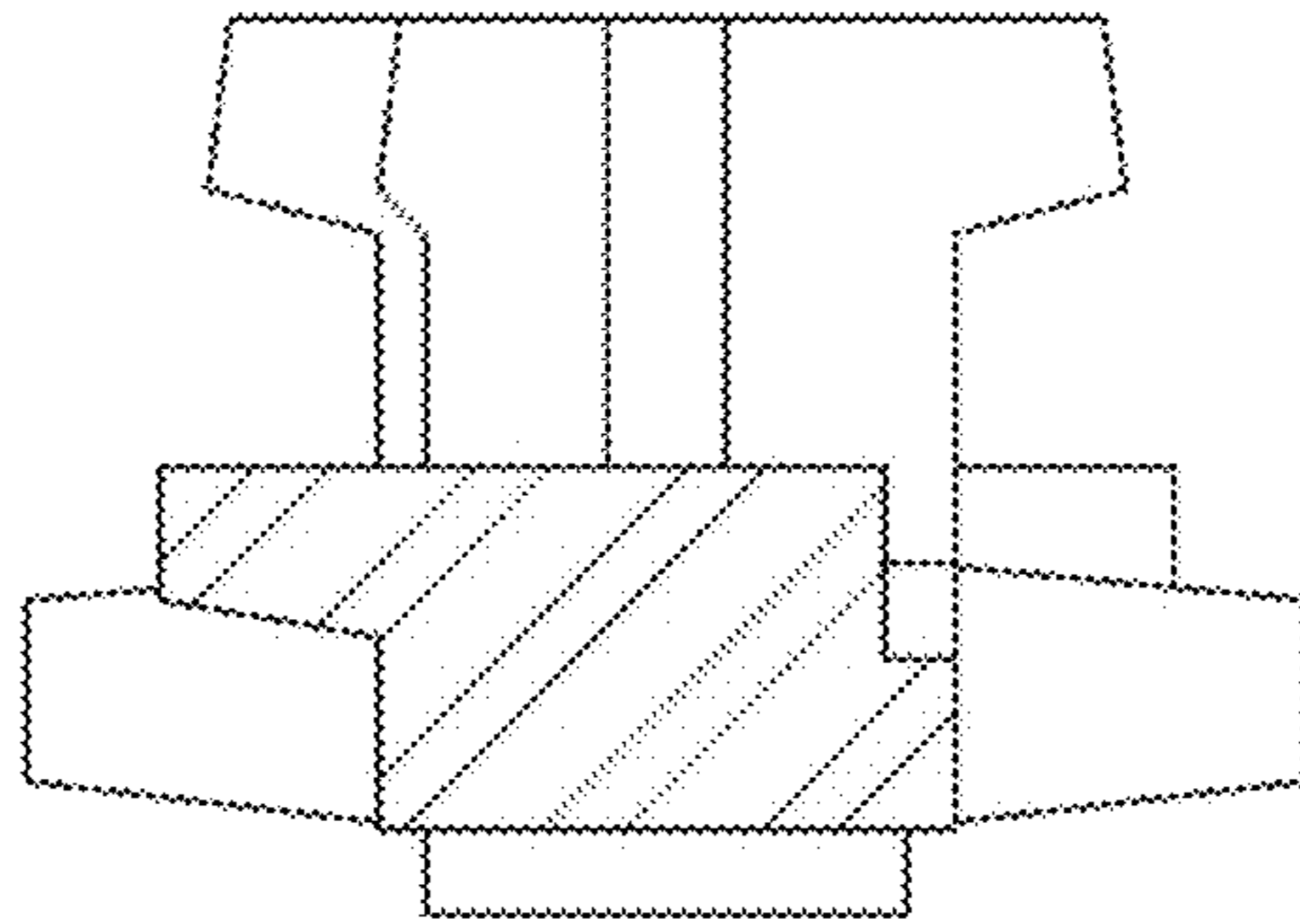


FIG. 10

(C-C Cross Sectional view)