



US00D761328S

(12) **United States Design Patent**
Choi

(10) **Patent No.:** **US D761,328 S**
(45) **Date of Patent:** **** Jul. 12, 2016**

- (54) **METALLIC CORE OF RUBBER CRAWLER**
- (71) Applicant: **XENITH TRACK CO., LTD.**, Daejeon (KR)
- (72) Inventor: **Yong Jae Choi**, Daejeon (KR)
- (73) Assignee: **XENITH TRACK CO., LTD.**, Daejeon (KR)
- (**) Term: **15 Years**
- (21) Appl. No.: **29/527,703**
- (22) Filed: **May 21, 2015**
- (51) **LOC (10) Cl.** **15-03**
- (52) **U.S. Cl.**
USPC **D15/28**
- (58) **Field of Classification Search**
USPC D15/28, 22-26; 305/167, 170-177, 305/169, 159, 187, 189, 165, 51, 111, 46, 305/198, 53, 204, 193; 428/120
CPC B62D 55/24; B62D 55/244; B62D 55/253; B62D 55/00; B62D 55/26; B62D 55/18; B62D 55/202; B62D 55/205
See application file for complete search history.

- D587,728 S * 3/2009 Shimozono D15/28
- D588,167 S * 3/2009 Shimozono D15/28
- D588,168 S * 3/2009 Shimozono D15/28
- 7,625,049 B2 * 12/2009 Kurokawa B62D 55/253
305/167
- D617,816 S * 6/2010 Abiko D15/28
- D618,255 S * 6/2010 Abiko D15/28
- D655,724 S * 3/2012 Shimozono D15/28
- 8,186,774 B2 * 5/2012 Kato B62D 55/205
305/172
- D676,068 S * 2/2013 Shimozono D15/28
- 2005/0116540 A1 * 6/2005 Katoh B62D 55/244
305/177
- 2005/0218722 A1 * 10/2005 Kurokawa B62D 55/253
305/171
- 2006/0279138 A1 * 12/2006 Kato B62D 55/244
305/177
- 2010/0013297 A1 * 1/2010 Kimura B62D 55/244
305/177
- 2013/0033100 A1 * 2/2013 Mizusawa B62D 55/244
305/159

* cited by examiner

Primary Examiner — Mark Goodwin
(74) *Attorney, Agent, or Firm* — Rabin & Berdo, P.C.

(56) **References Cited**

U.S. PATENT DOCUMENTS

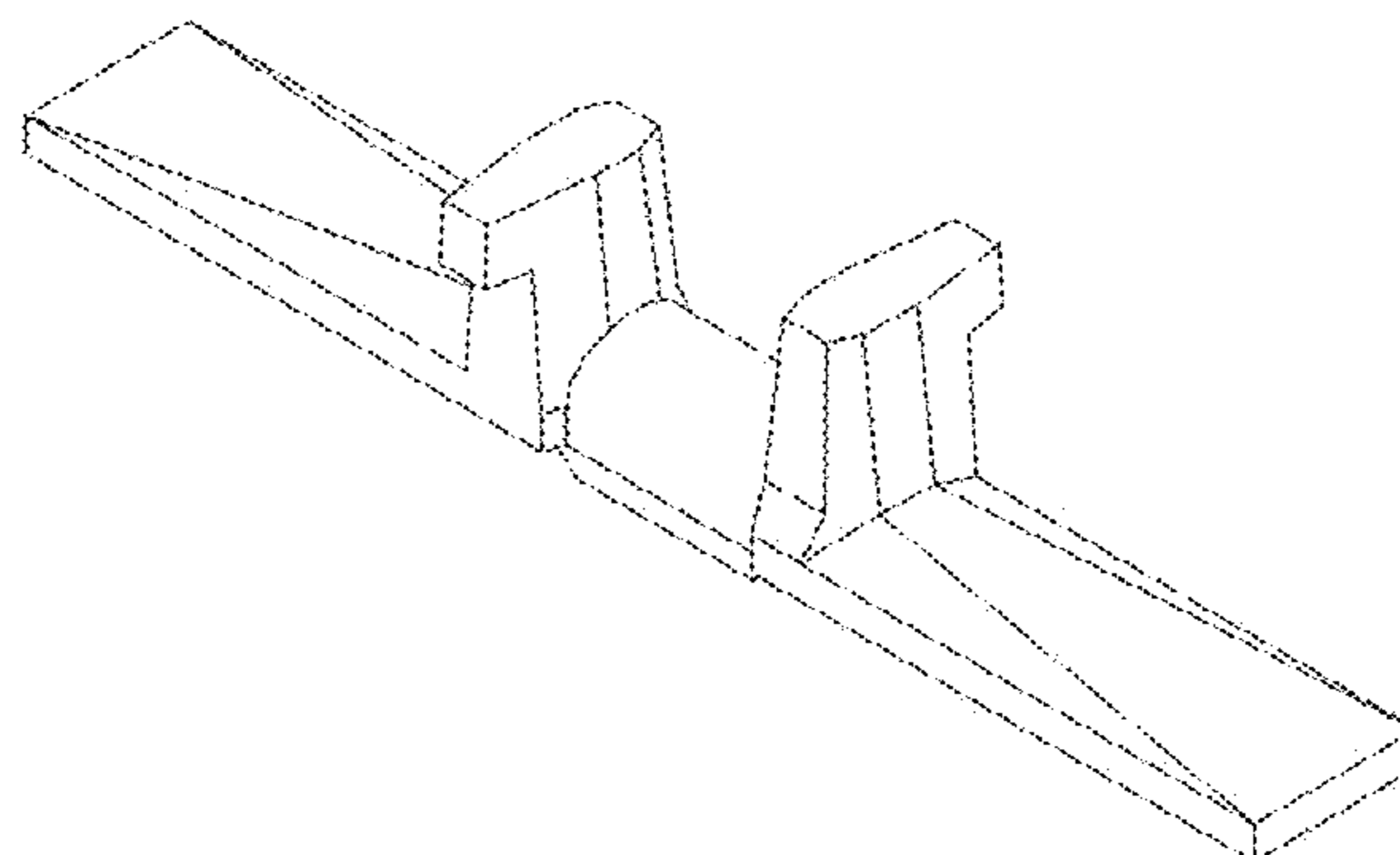
- 5,131,728 A * 7/1992 Katoh B62D 55/244
305/174
- 5,308,155 A * 5/1994 Katoh B62D 55/244
305/171
- 5,380,076 A * 1/1995 Hori B62D 55/244
305/171
- 5,403,643 A * 4/1995 Tsuru B62D 55/202
305/167
- 5,522,654 A * 6/1996 Katoh B62D 55/244
305/167
- 5,522,655 A * 6/1996 Katoh B62D 55/244
305/167
- 5,997,110 A * 12/1999 Katoh B62D 55/244
305/169
- 6,106,083 A * 8/2000 Ono B62D 55/26
305/171
- 6,176,557 B1 * 1/2001 Ono B62D 55/244
305/173
- 6,588,862 B1 * 7/2003 Pringiers B62D 55/244
305/167
- 6,805,416 B2 * 10/2004 Ueno B62D 55/24
305/171

(57) **CLAIM**
The ornamental design for a metallic core of rubber crawler, as shown and described.

DESCRIPTION

The patent or application file contains at least one drawing executed in color. Copies of this patent or patent application publication with color drawing(s) will be provided by the Office upon request and payment of the necessary fee.
FIG. 1 is a perspective view of a metallic core of rubber crawler;
FIG. 2 is a front elevational view thereof;
FIG. 3 is a rear elevational view thereof;
FIG. 4 is a left side elevational view thereof;
FIG. 5 is a right side elevational view thereof;
FIG. 6 is a top view thereof;
FIG. 7 is a bottom view thereof;
FIG. 8 is a cross-sectional view taken along line A-A; and,
FIG. 9 is a cross-sectional view taken along line B-B.

1 Claim, 4 Drawing Sheets
(1 of 4 Drawing Sheet(s) Filed in Color)



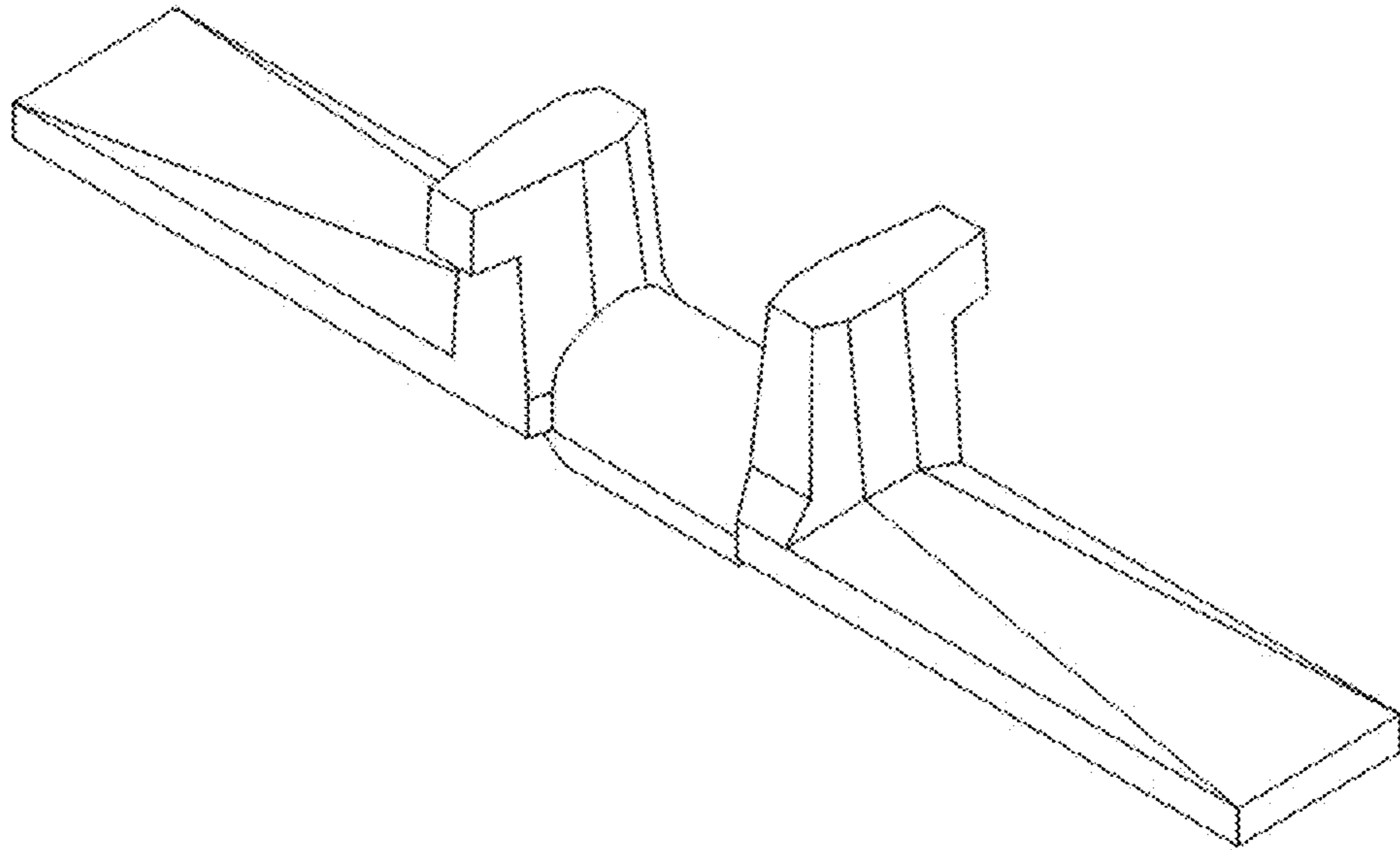


FIG. 1

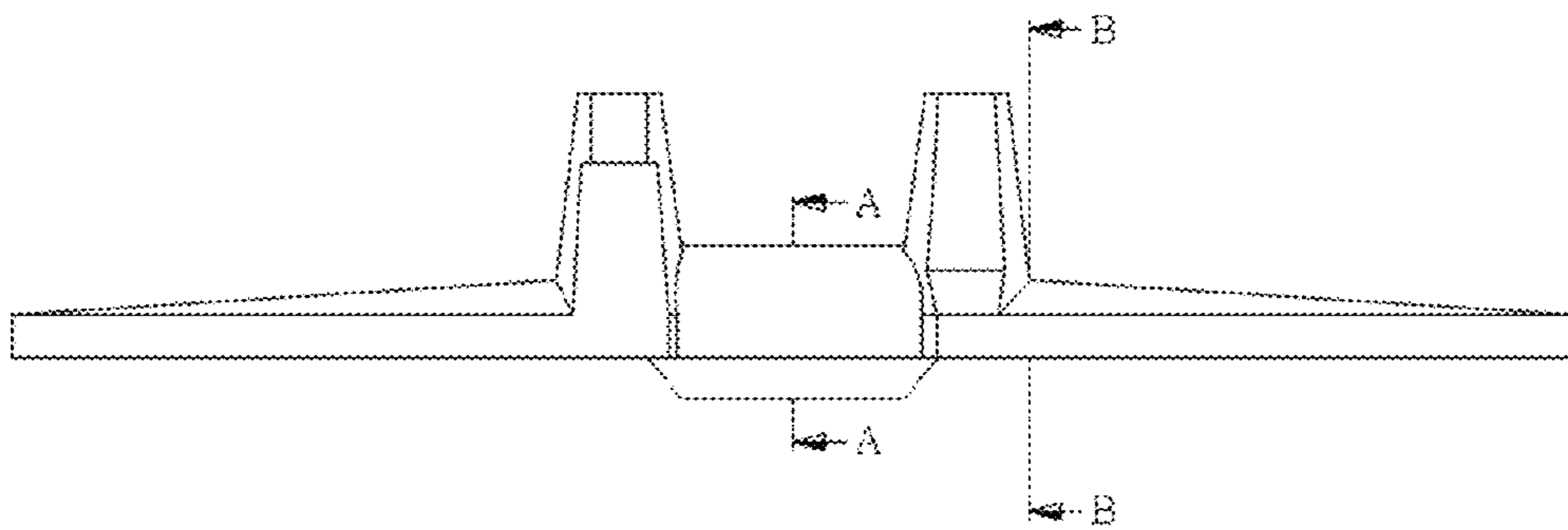


FIG. 2

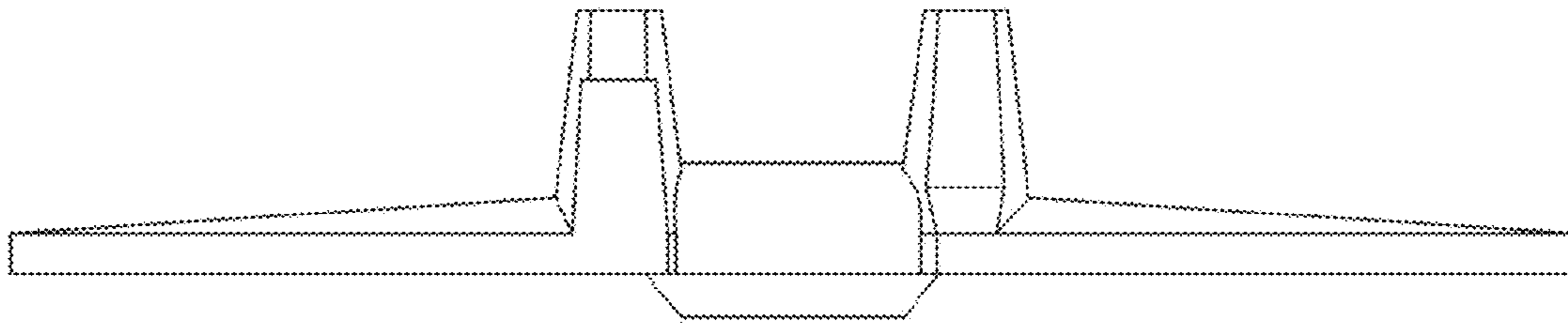


FIG. 3

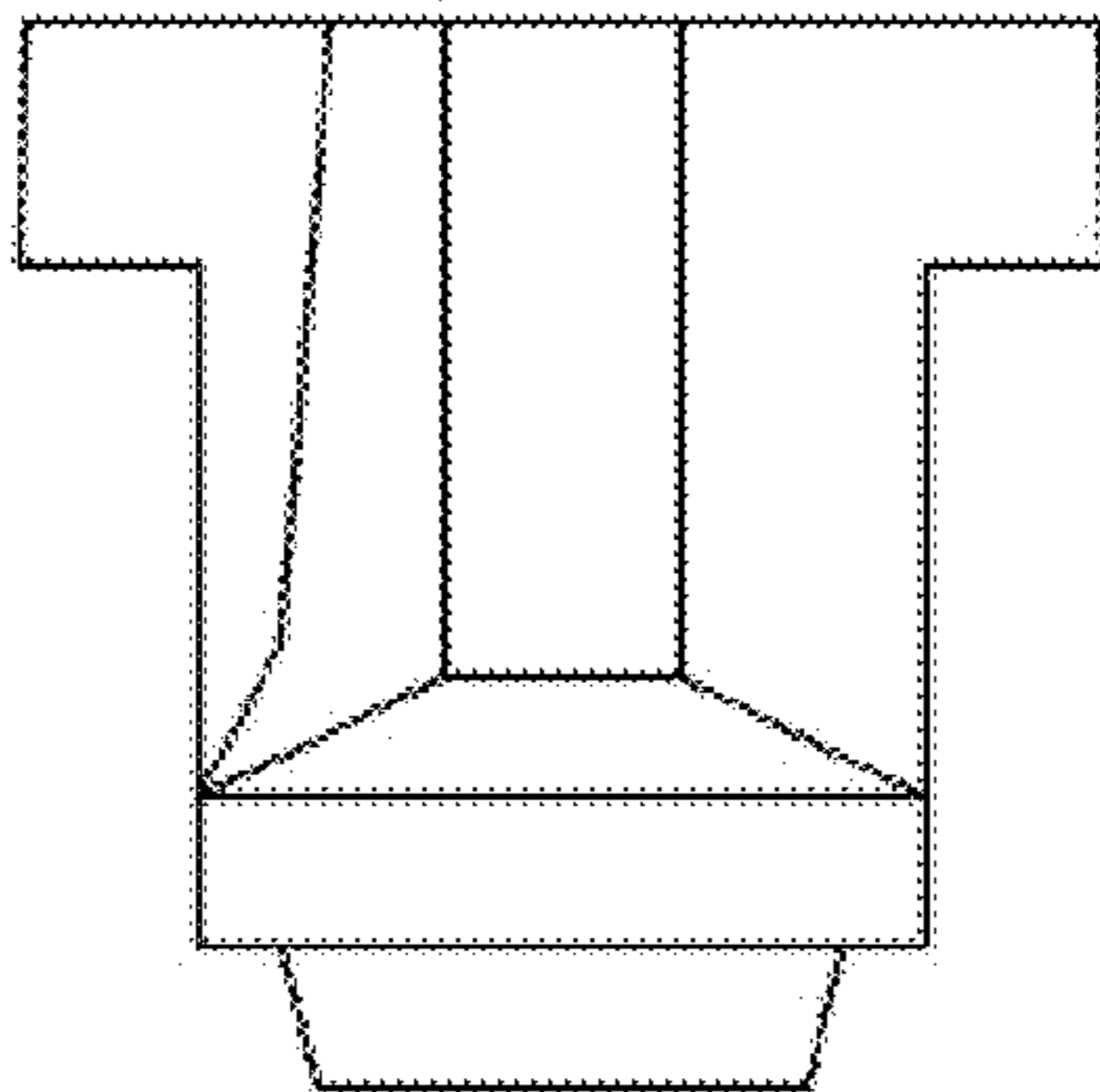


FIG. 4

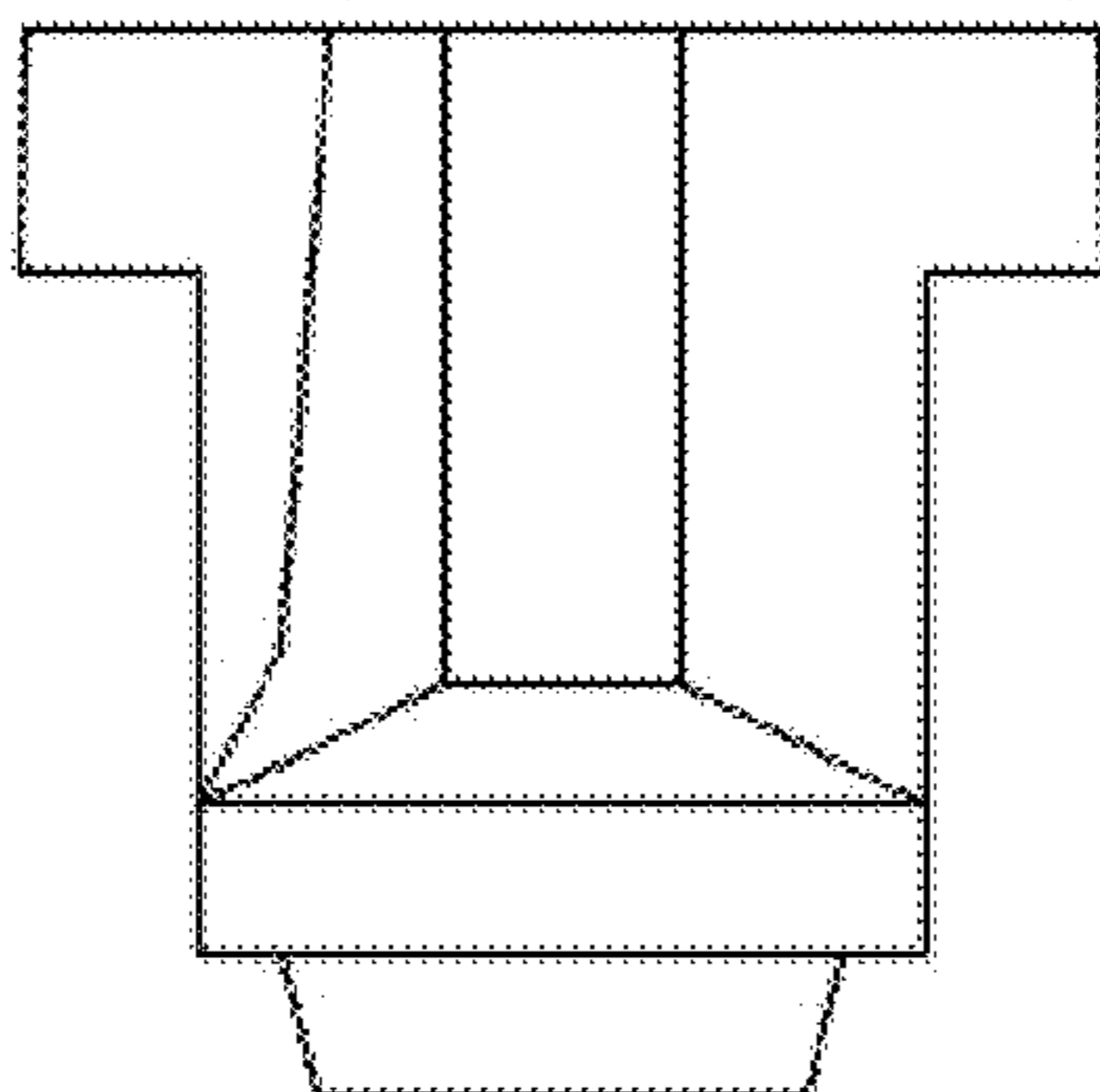


FIG. 5

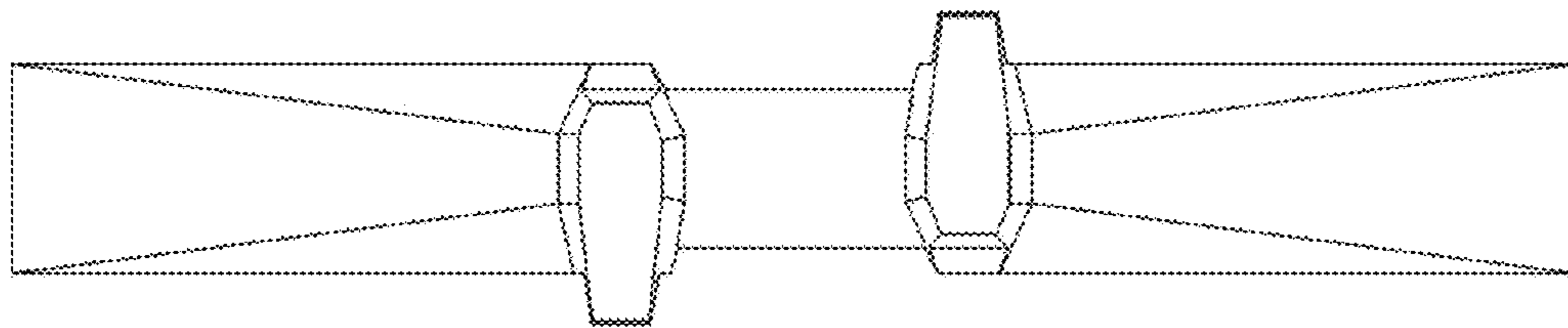


FIG. 6

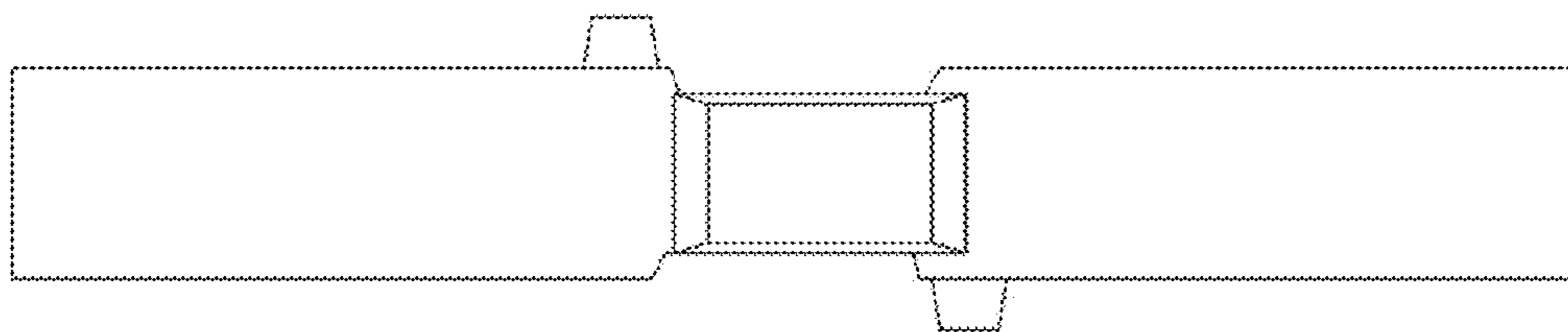


FIG. 7

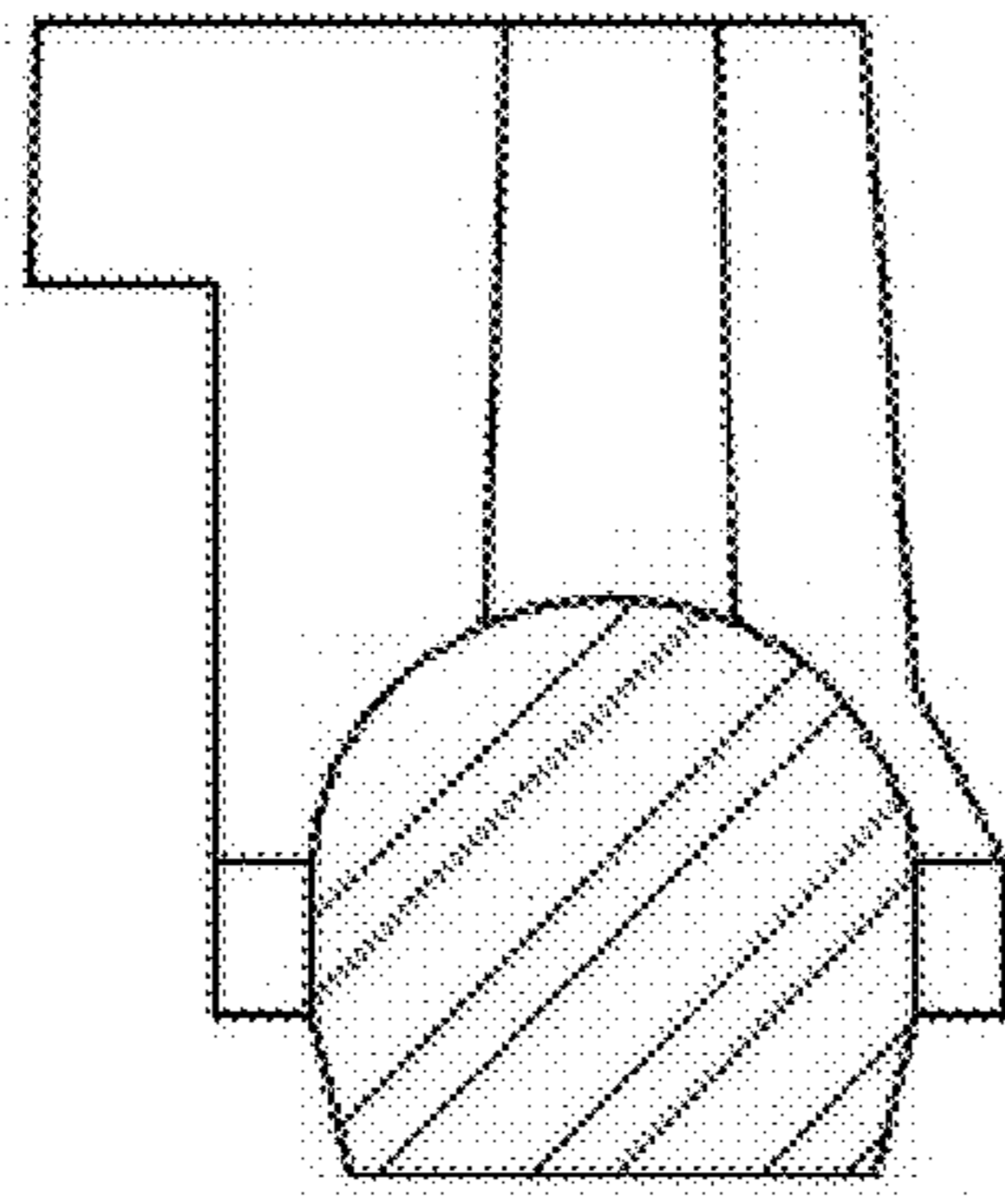


FIG. 8

(A-A Cross-sectional view)

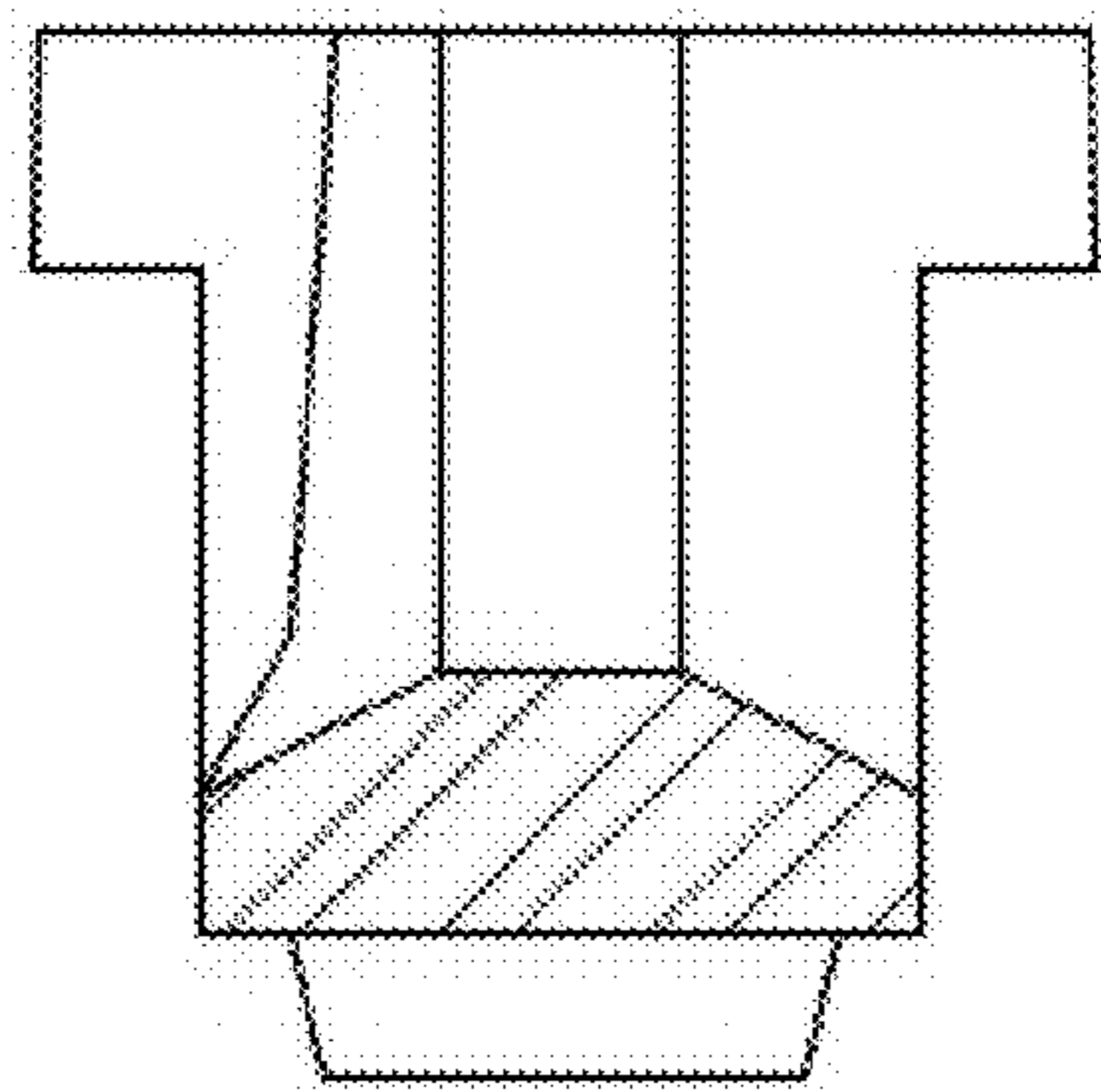


FIG. 9

(B-B Cross Sectional view)