

US00D761326S

(12) **United States Design Patent**
Kienzle et al.

(10) **Patent No.:** **US D761,326 S**
(45) **Date of Patent:** **** Jul. 12, 2016**

(54) **COMPRESSOR**

(71) Applicants: **Dominic Kienzle**, Weil der Stadt (DE);
Jan Revellin, Gaeufelden (DE)

(72) Inventors: **Dominic Kienzle**, Weil der Stadt (DE);
Jan Revellin, Gaeufelden (DE)

(73) Assignee: **BITZER Kuehlmaschinenbau GmbH**,
Sindelfingen (DE)

(**) Term: **14 Years**

(21) Appl. No.: **29/502,097**

(22) Filed: **Sep. 11, 2014**

(30) **Foreign Application Priority Data**

Mar. 12, 2014	(EM)	002423269
Mar. 12, 2014	(EM)	002423269-0001
Mar. 12, 2014	(EM)	002423269-0002
Mar. 12, 2014	(EM)	002423269-0003
Mar. 12, 2014	(EM)	002423269-0004
Mar. 12, 2014	(EM)	002423269-0005
Mar. 12, 2014	(EM)	002423269-0006

(51) **LOC (10) Cl.** **15-02**

(52) **U.S. Cl.**
USPC **D15/9**

(58) **Field of Classification Search**
USPC D15/7-9; D23/231, 232, 225; 417/60,
417/235, 265, 321, 355, 358, 363, 359,
417/410.1, 415-416, 405, 900; 60/408,
60/412; 184/26-37; 415/140-147;
123/495, 509; 137/565.34
CPC F02M 37/04; F02M 37/14
See application file for complete search history.

(56) **References Cited**

U.S. PATENT DOCUMENTS

D450,327 S * 11/2001 Mori D15/7
D467,254 S 12/2002 Ullrich

(Continued)

OTHER PUBLICATIONS

U.S. Appl. No. 29/434,711, filed Oct. 16, 2012, Hermann.
(Continued)

Primary Examiner — Ralf Seifert
(74) *Attorney, Agent, or Firm* — Reinhart Boerner Van
Deuren P.C.

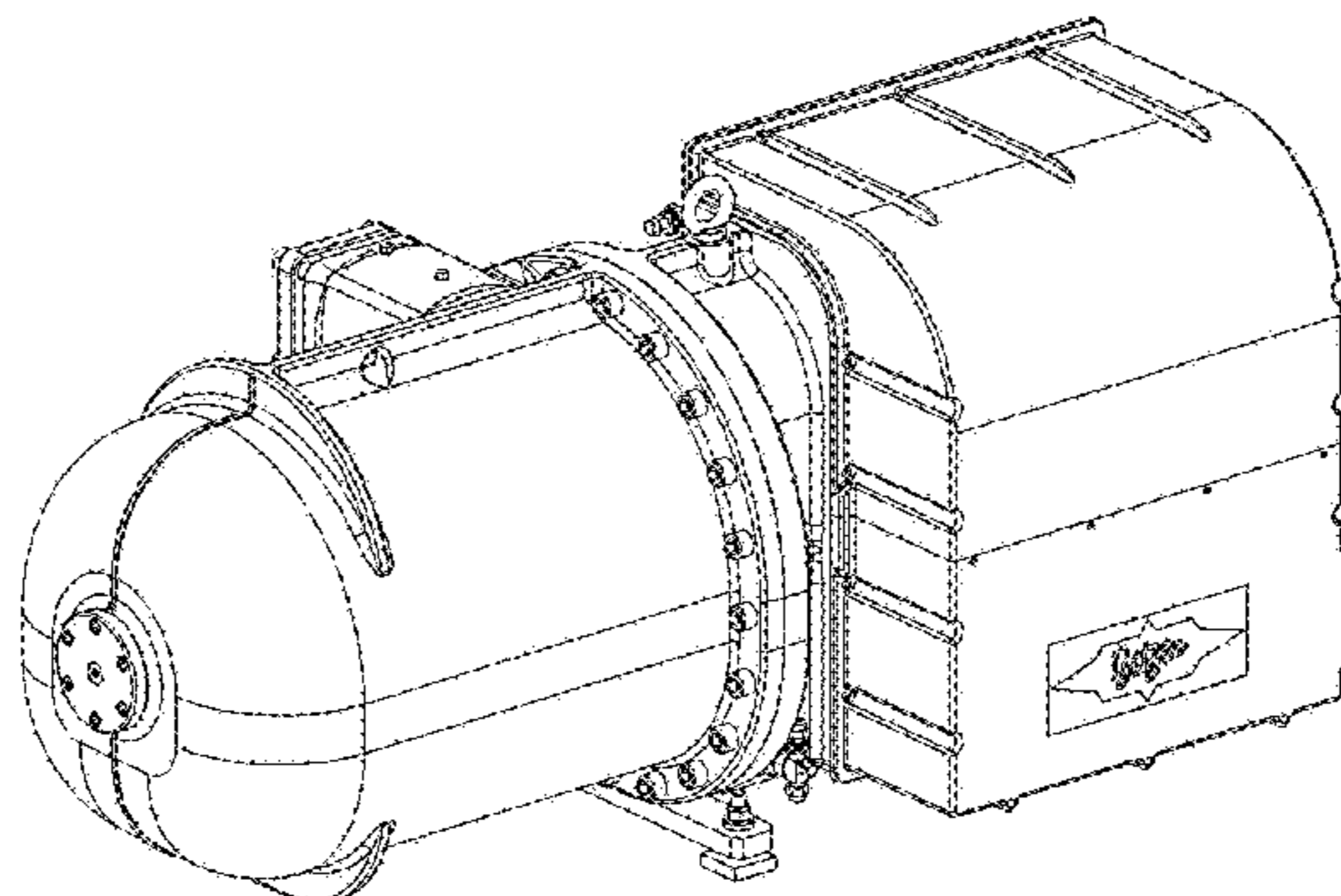
(57) **CLAIM**
We claim the ornamental design for a compressor, as shown
and described.

DESCRIPTION

The design application contains at least one drawing executed
in color. Copies of this design application publication with
color drawings will be provided by the Office upon request
and payment of the necessary fee.

FIG. 1 is a front and right hand perspective view of a first
embodiment of a compressor where the compressor housing
is in green and the control housing is in black, the illustrated
colors forming part of the claimed design of this embodiment;
FIG. 2 is a right side view of the embodiment of FIG. 1
FIG. 3 is a left side view of the embodiment of FIG. 1;
FIG. 4 is a top view of the embodiment of FIG. 1;
FIG. 5 is a bottom view of the embodiment of FIG. 1;
FIG. 6 is a front view of the embodiment of FIG. 1;
FIG. 7 is a rear view of the embodiment of FIG. 1
FIG. 8 is a front and right hand perspective view of a second
embodiment of a compressor;
FIG. 9 is a right side view of the embodiment of FIG. 8
FIG. 10 is a left side view of the embodiment of FIG. 8;
FIG. 11 is a top view of the embodiment of FIG. 8;
FIG. 12 is a bottom view of the embodiment of FIG. 8;
FIG. 13 is a front view of the embodiment of FIG. 8;
FIG. 14 is a rear view of the embodiment of FIG. 8;
FIG. 15 is a front and right hand perspective view of a third
embodiment of a compressor;
FIG. 16 is a right side view of the embodiment of FIG. 15;
FIG. 17 is a left side view of the embodiment of FIG. 15;
FIG. 18 is a top view of the embodiment of FIG. 15;
FIG. 19 is a bottom view of the embodiment of FIG. 15;
FIG. 20 is a front view of the embodiment of FIG. 15; and,
FIG. 21 is a rear view of the embodiment of FIG. 15.

1 Claim, 21 Drawing Sheets
(7 of 21 Drawing Sheet(s) Filed in Color)



(56)

References Cited

U.S. PATENT DOCUMENTS

D479,247 S 9/2003 Ullrich
D485,565 S * 1/2004 Martinello D15/7
D531,194 S 10/2006 Hertenstein et al.
D538,826 S 3/2007 Kienzle
D558,232 S * 12/2007 Wang D15/7
D573,607 S * 7/2008 Bulter D15/7
D595,748 S 7/2009 Kratschmer
D630,229 S * 1/2011 Dreifert D15/7
D668,684 S * 10/2012 Noguchi D15/9

D684,197 S * 6/2013 Kienzle D15/9
D690,324 S * 9/2013 Kienzle D15/9
D709,524 S 7/2014 Ohser et al.
D713,860 S * 9/2014 Pedrollo D15/7
D717,344 S 11/2014 Ohser et al.

OTHER PUBLICATIONS

U.S. Appl. No. 29/466,228, filed Sep. 5, 2013, Ohser.
U.S. Appl. No. 29/501,852, filed Sep. 9, 2014, Ohser et al.
U.S. Appl. No. 29/458,423, filed Jun. 19, 2013, Ohser et al.

* cited by examiner

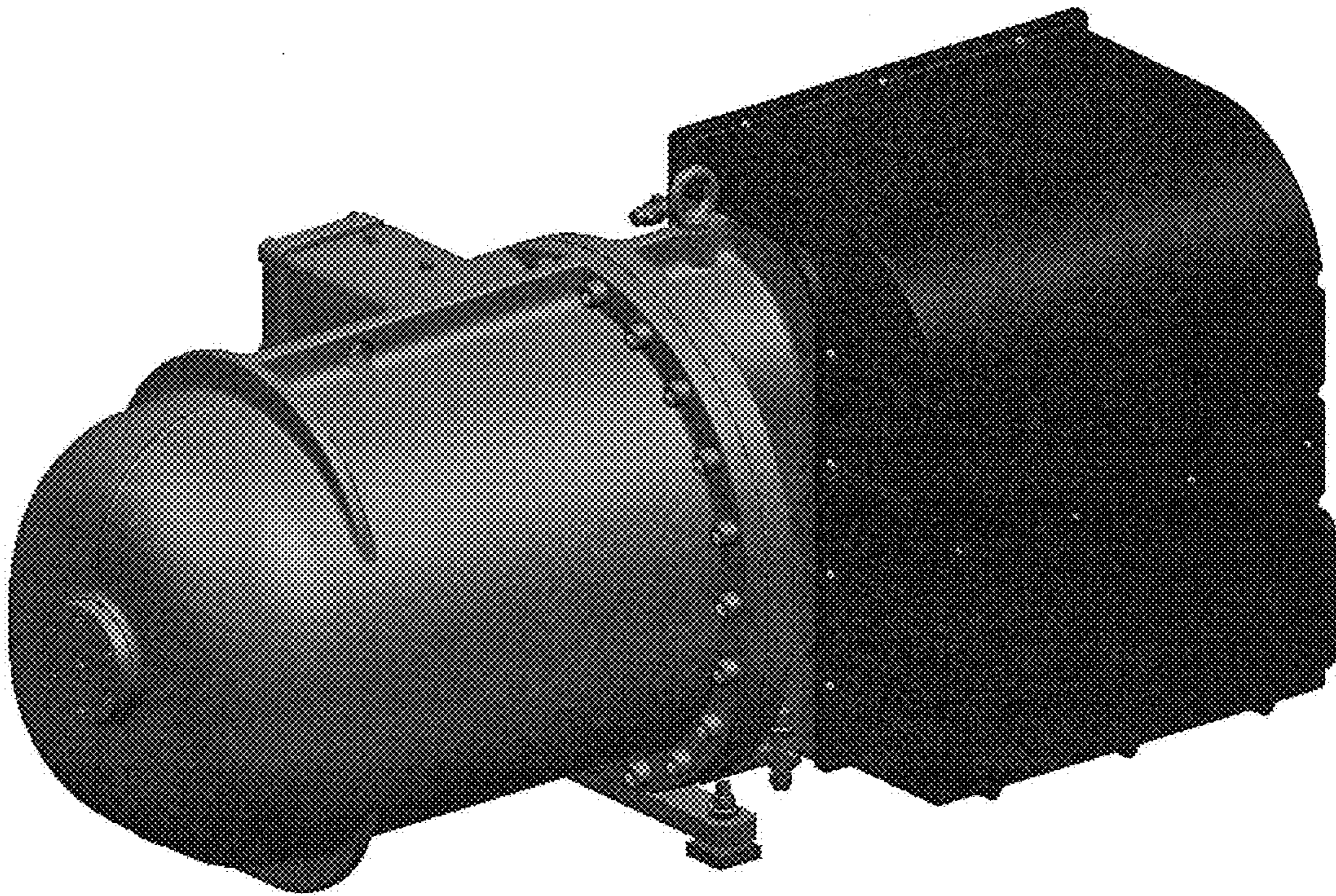


FIG. 1

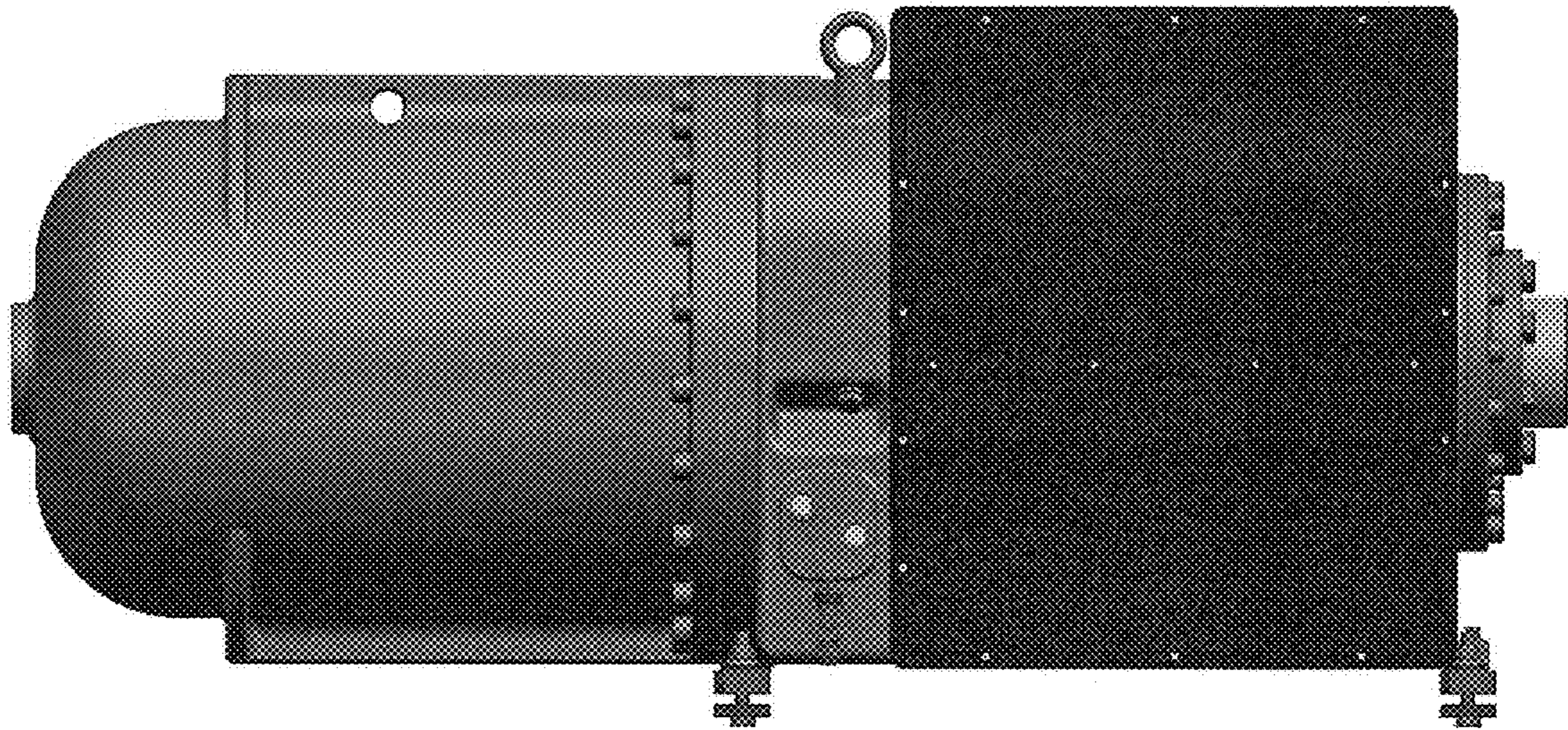


FIG. 2

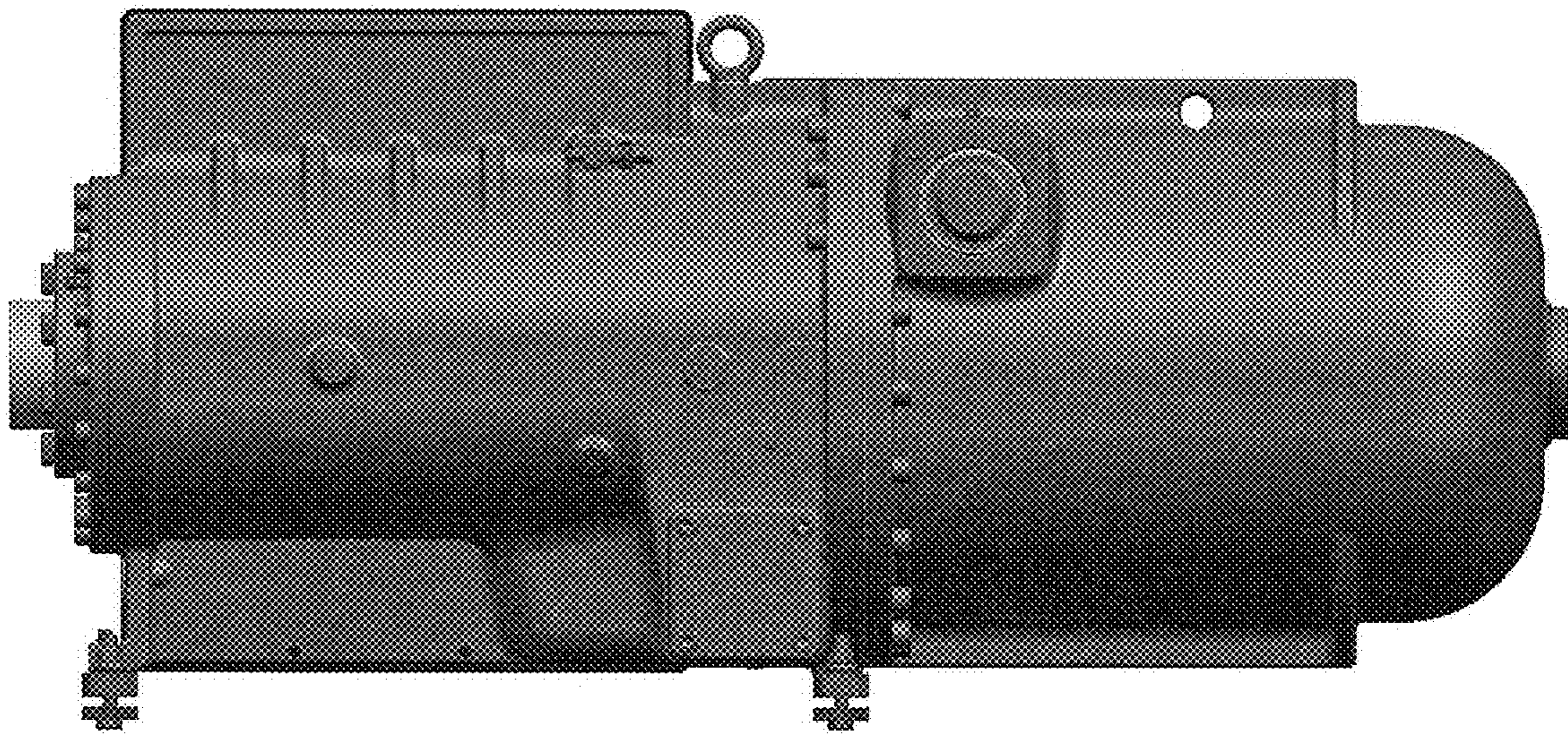


FIG. 3

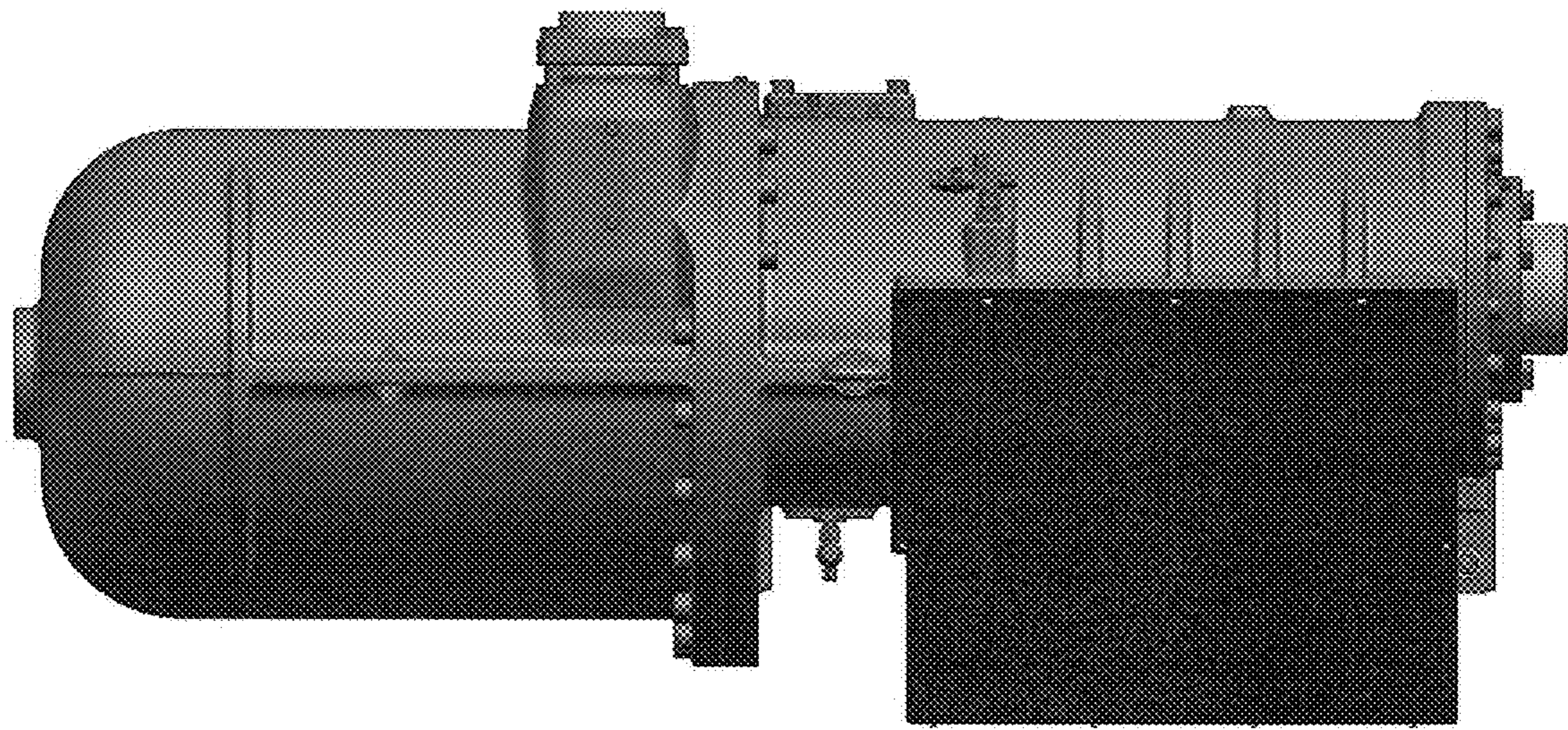


FIG. 4

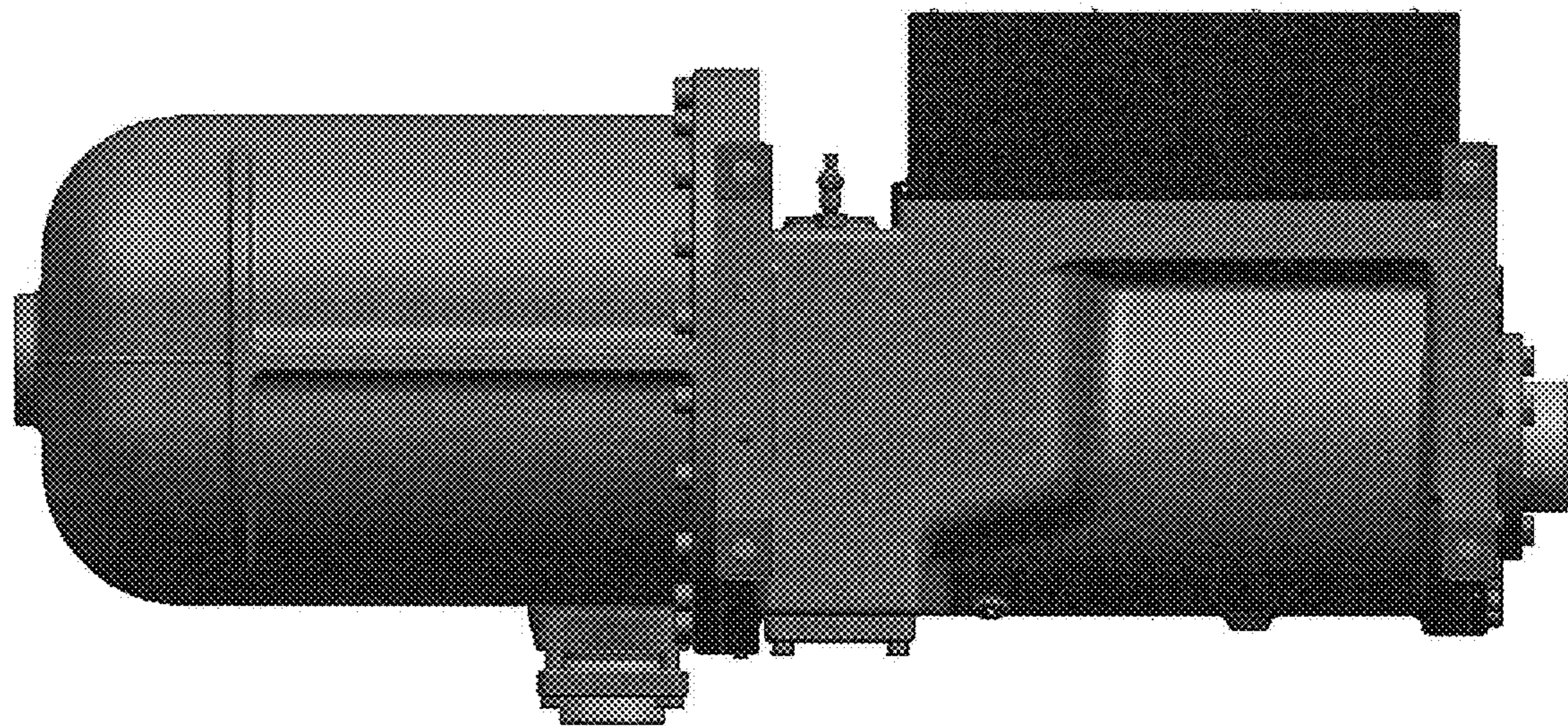


FIG. 5

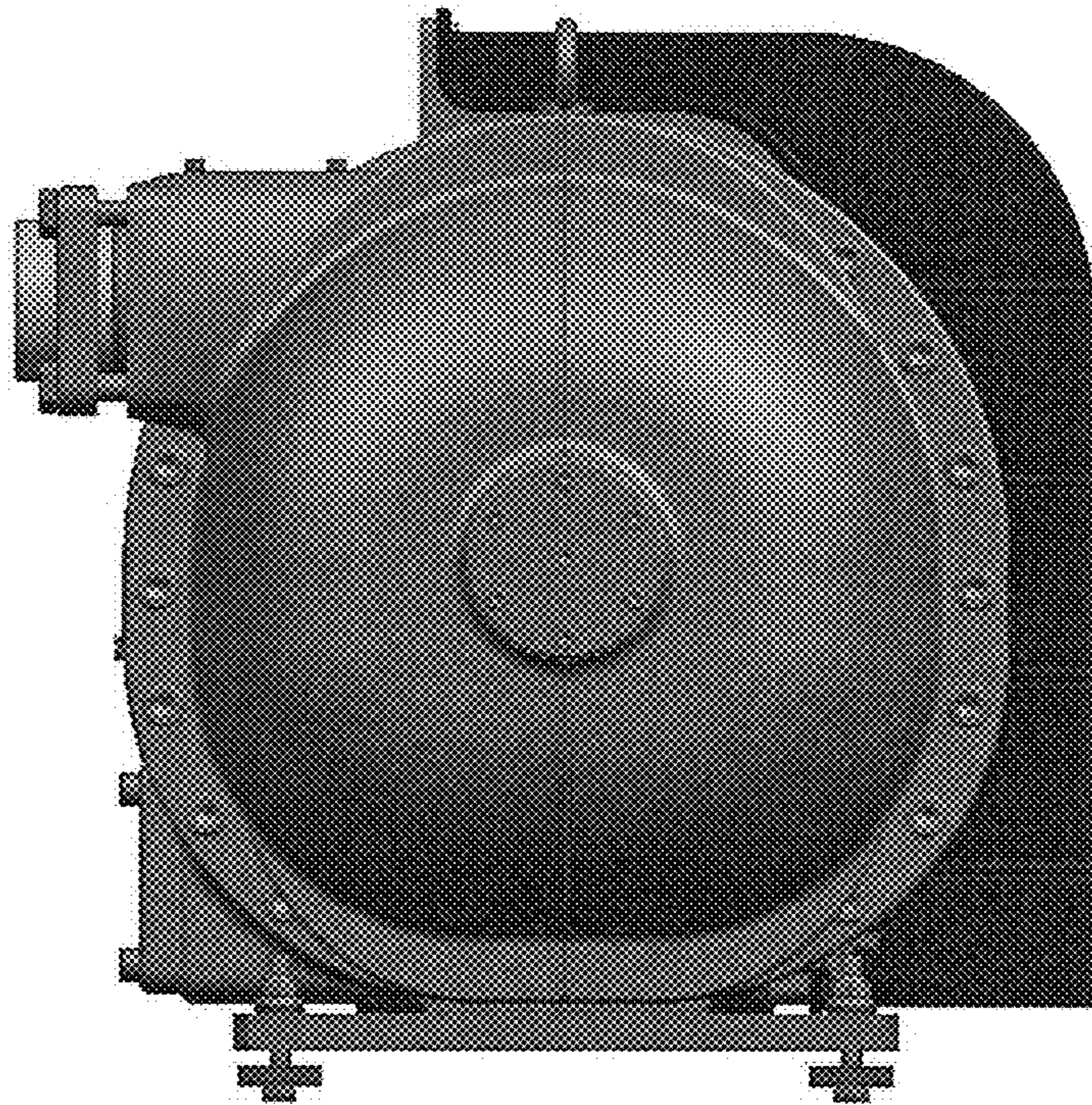


FIG. 6

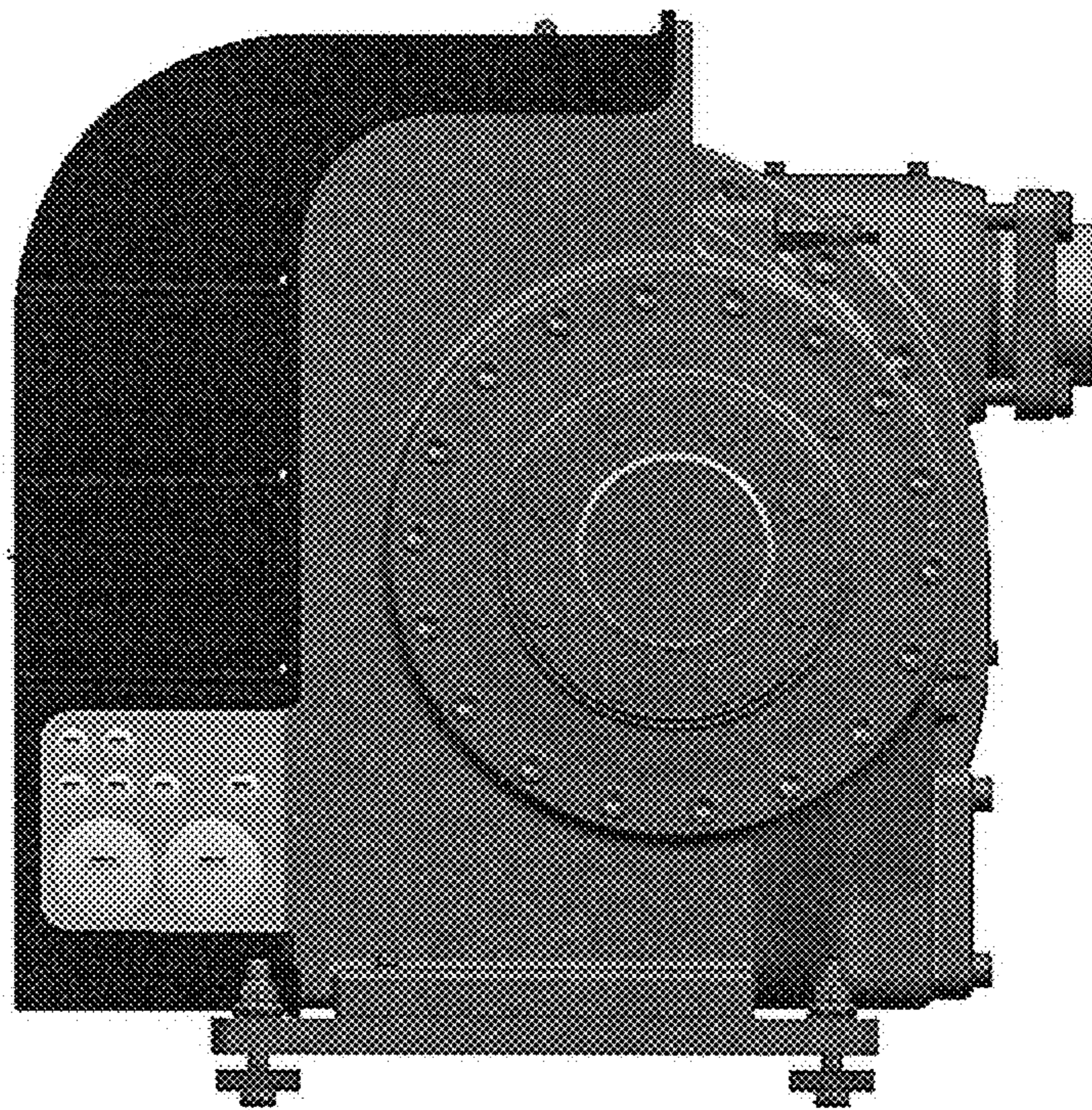


FIG. 7

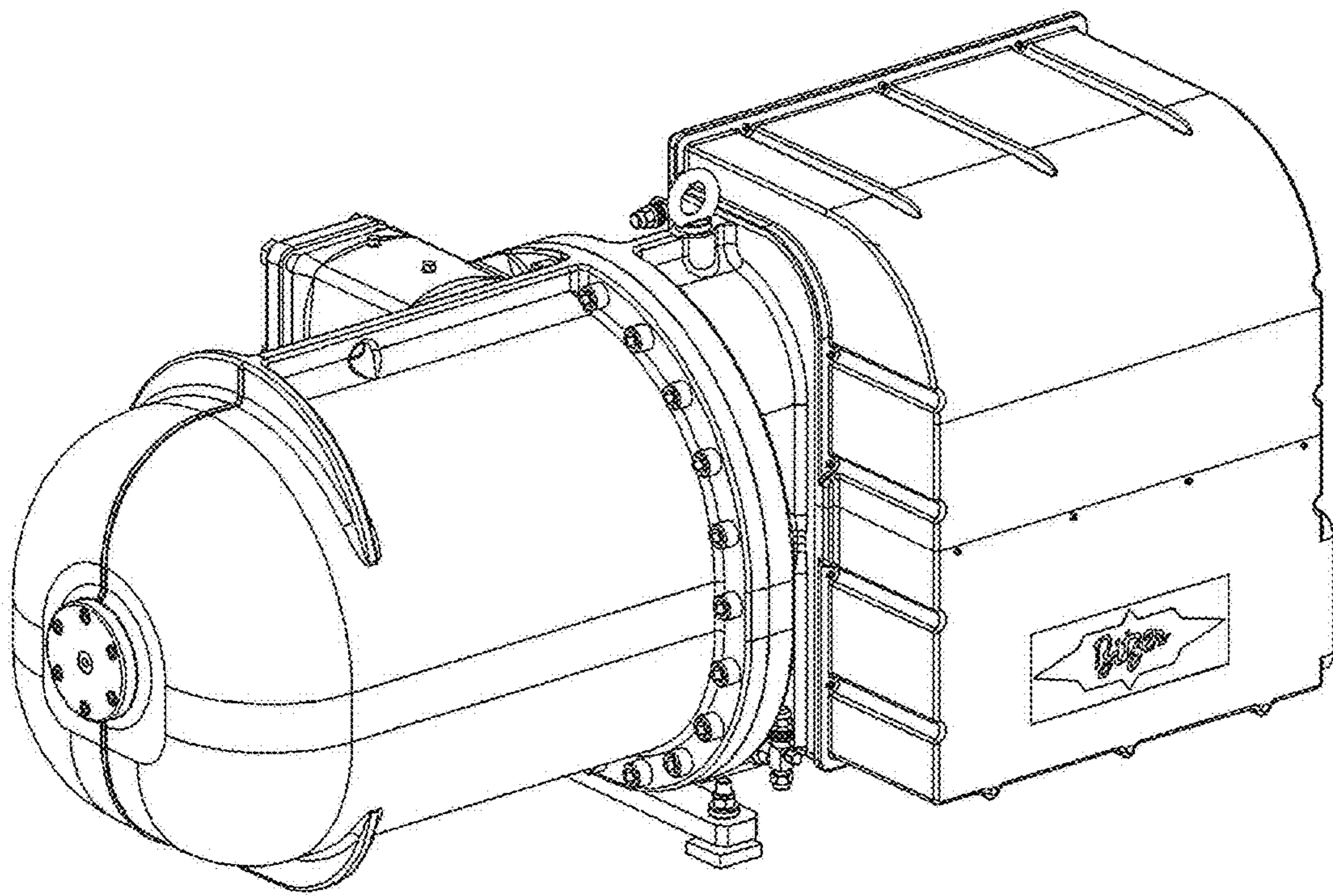


FIG. 8

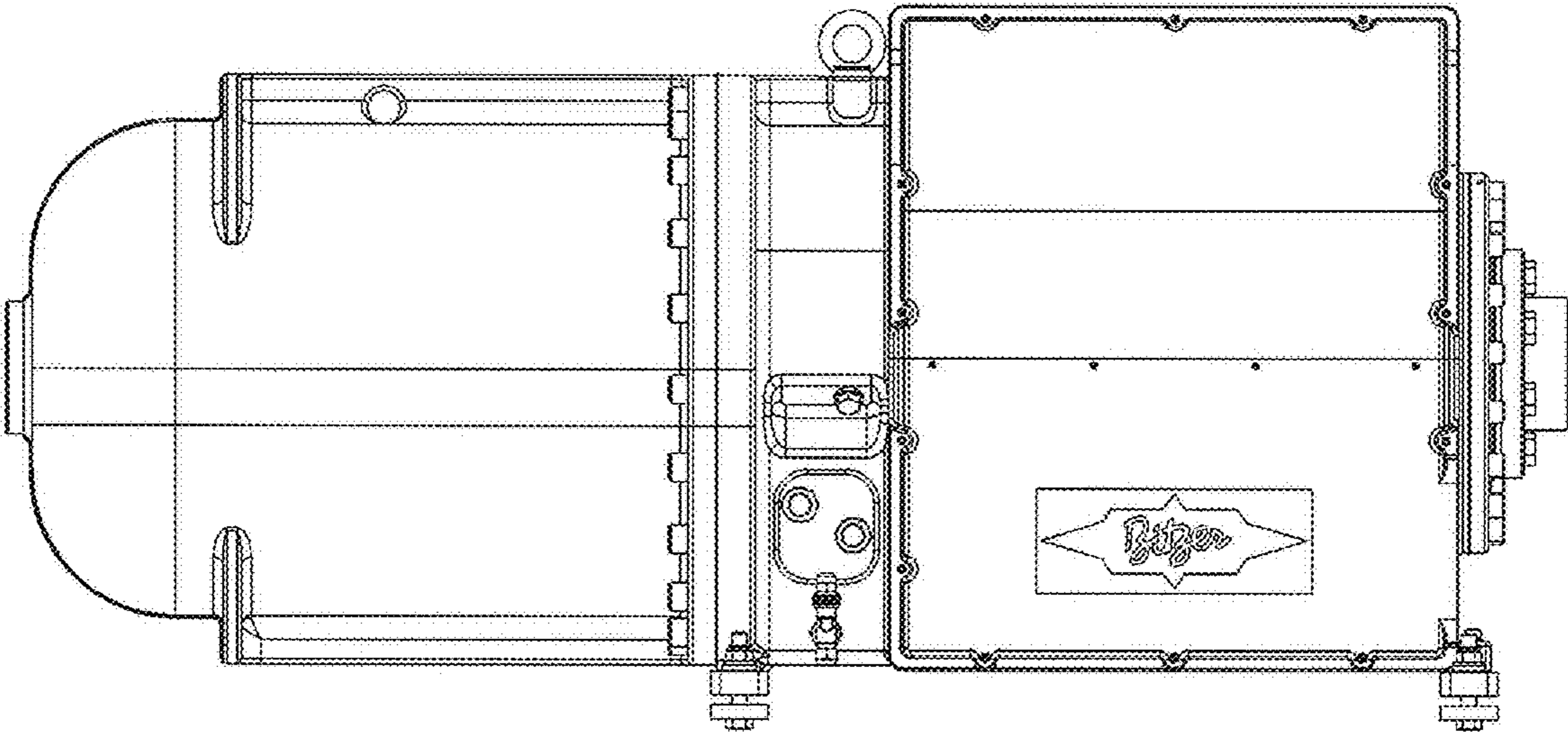


FIG. 9

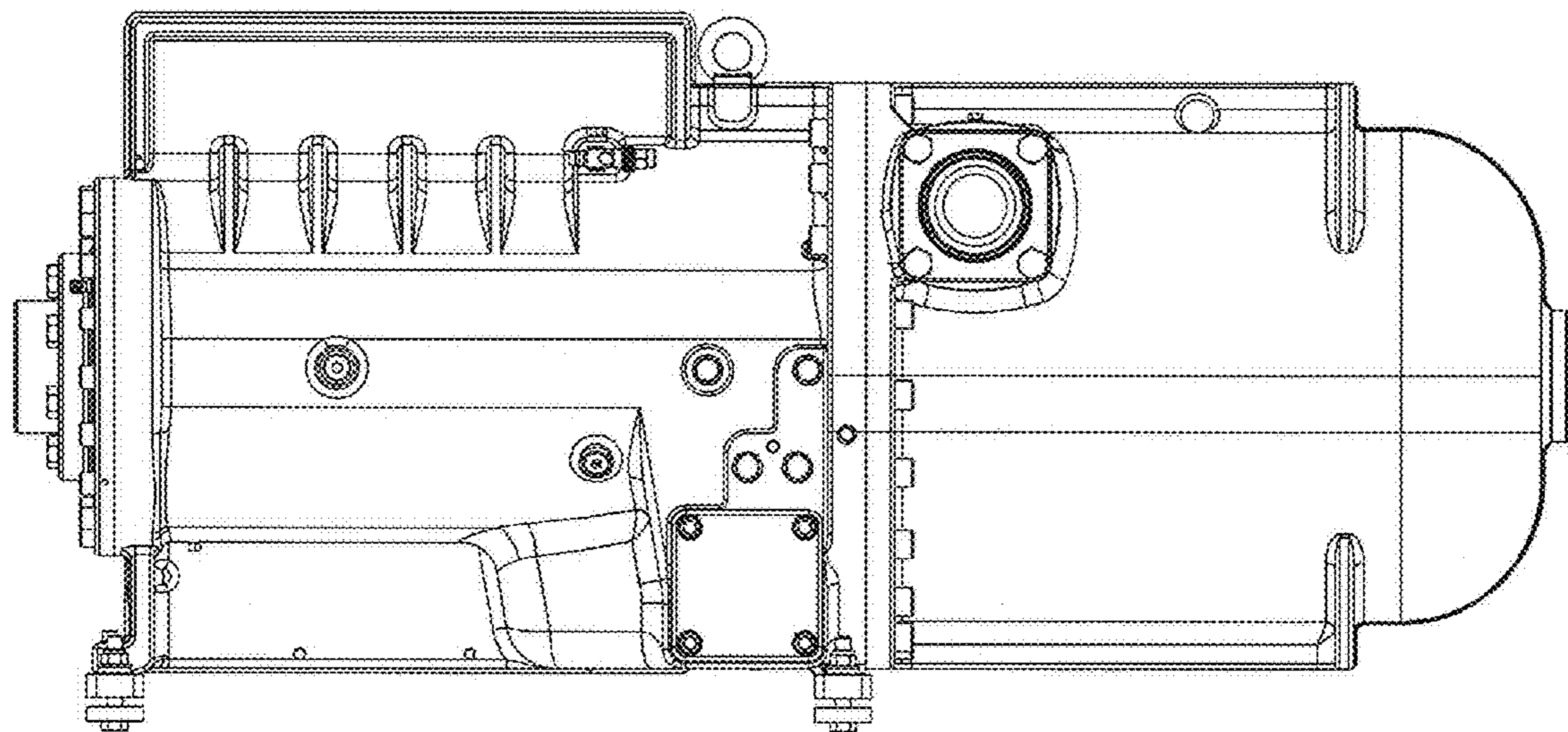


FIG. 10

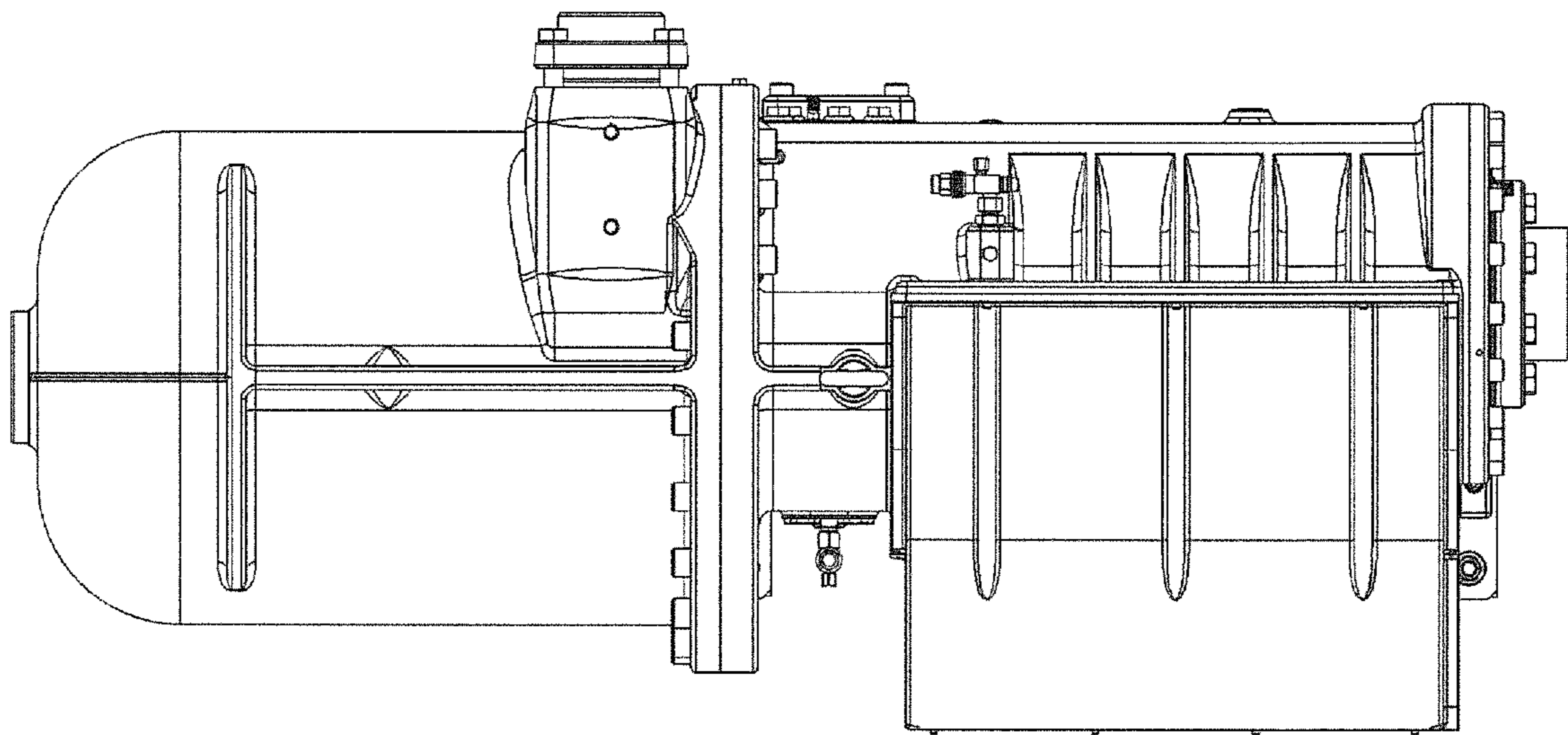


FIG. 11

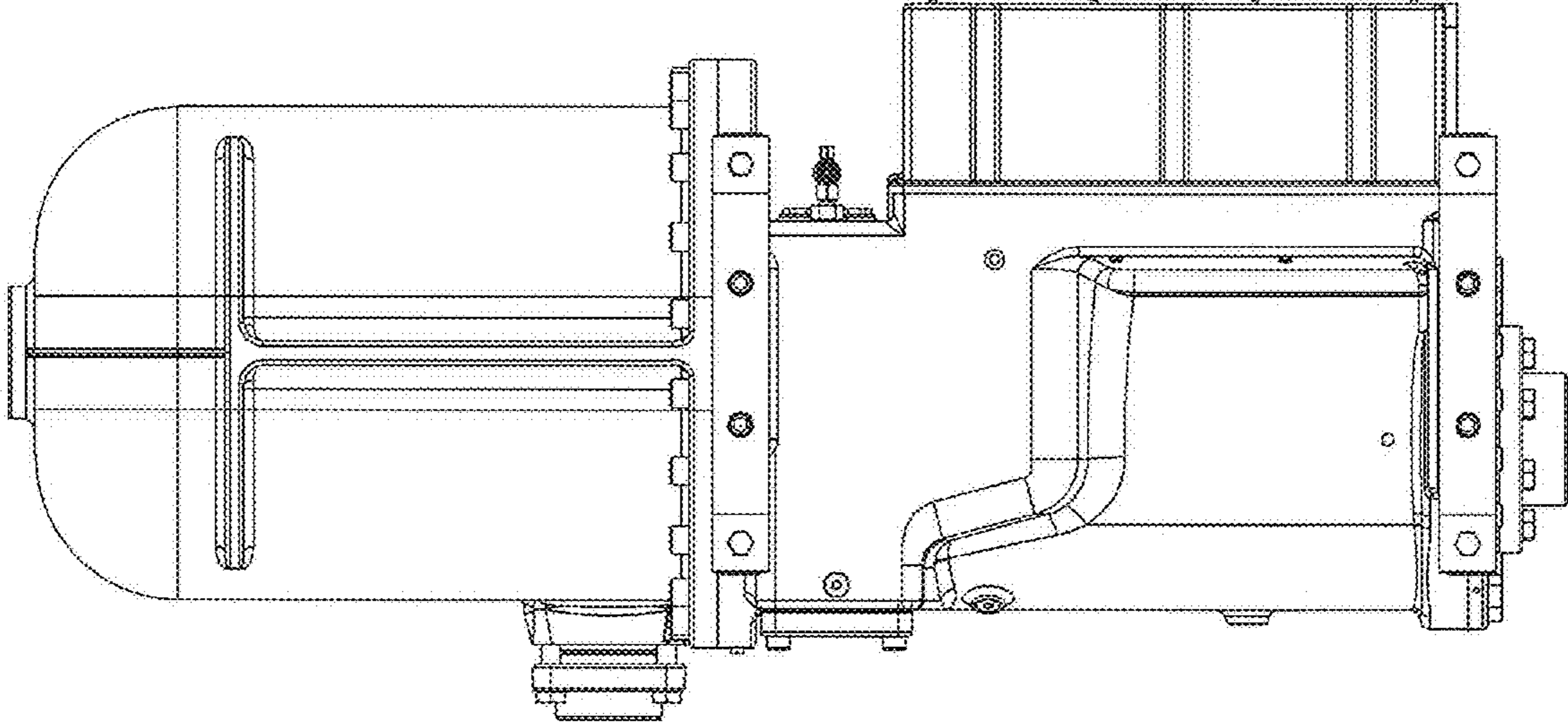


FIG. 12

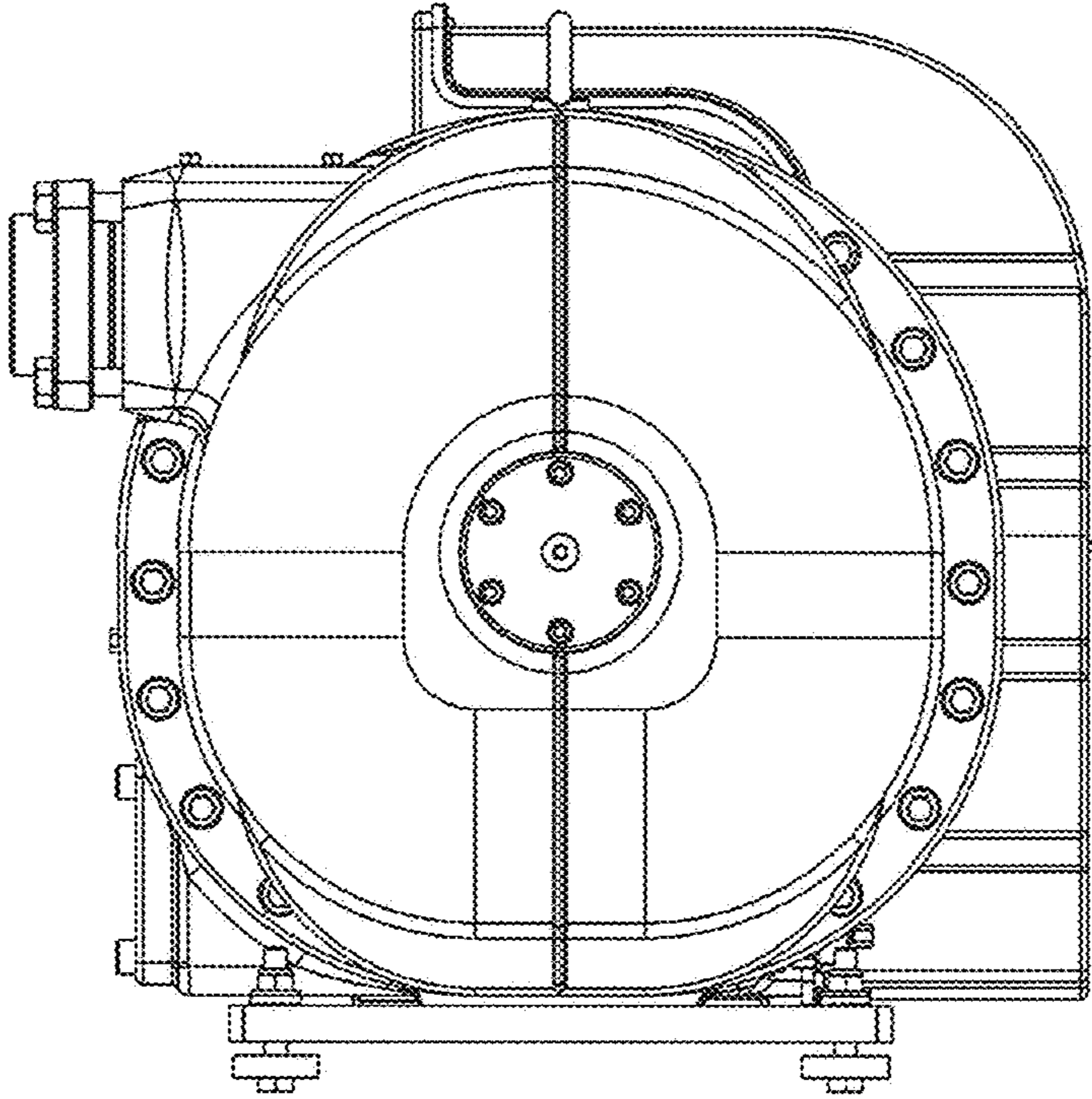


FIG. 13

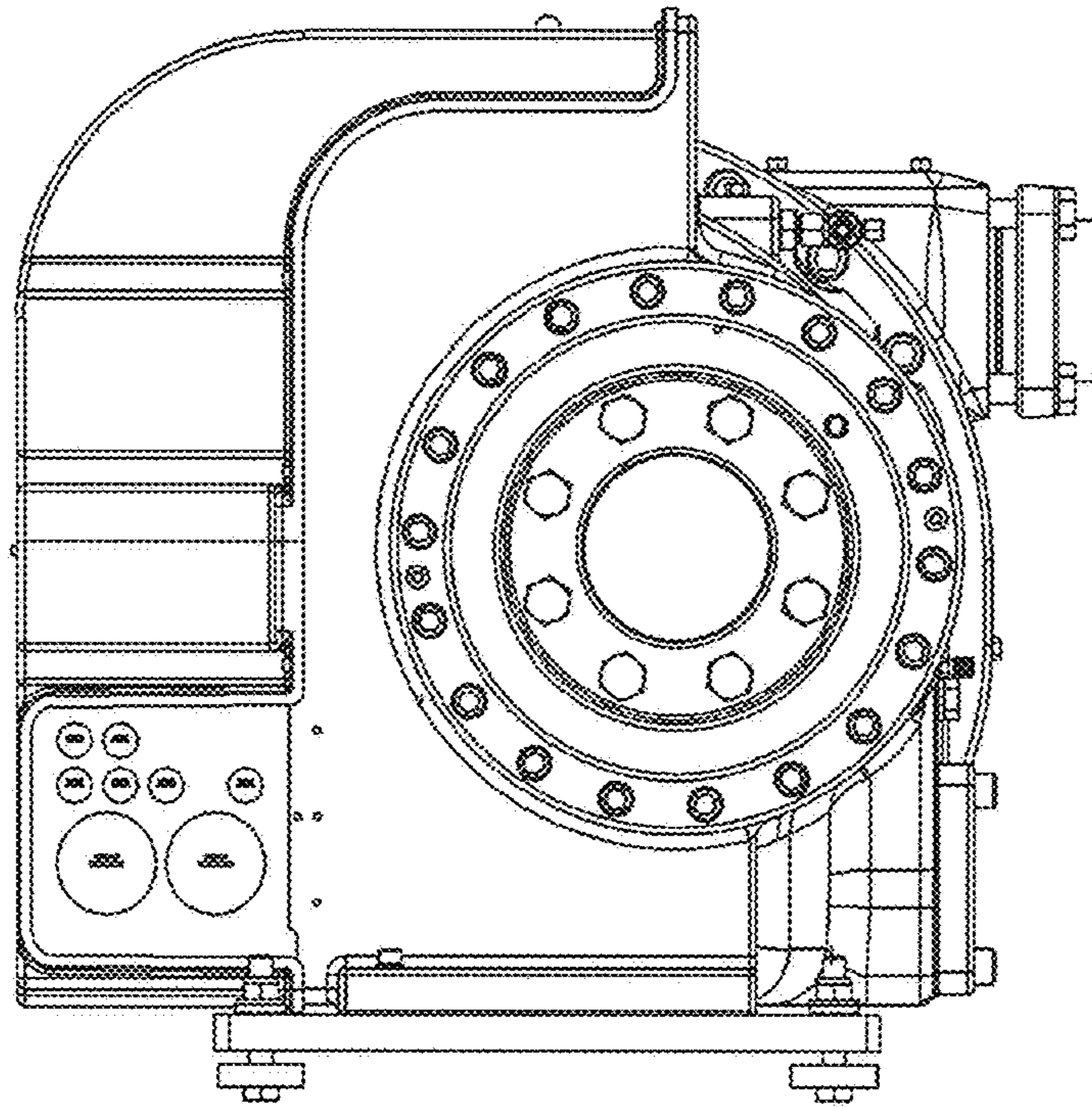


FIG. 14

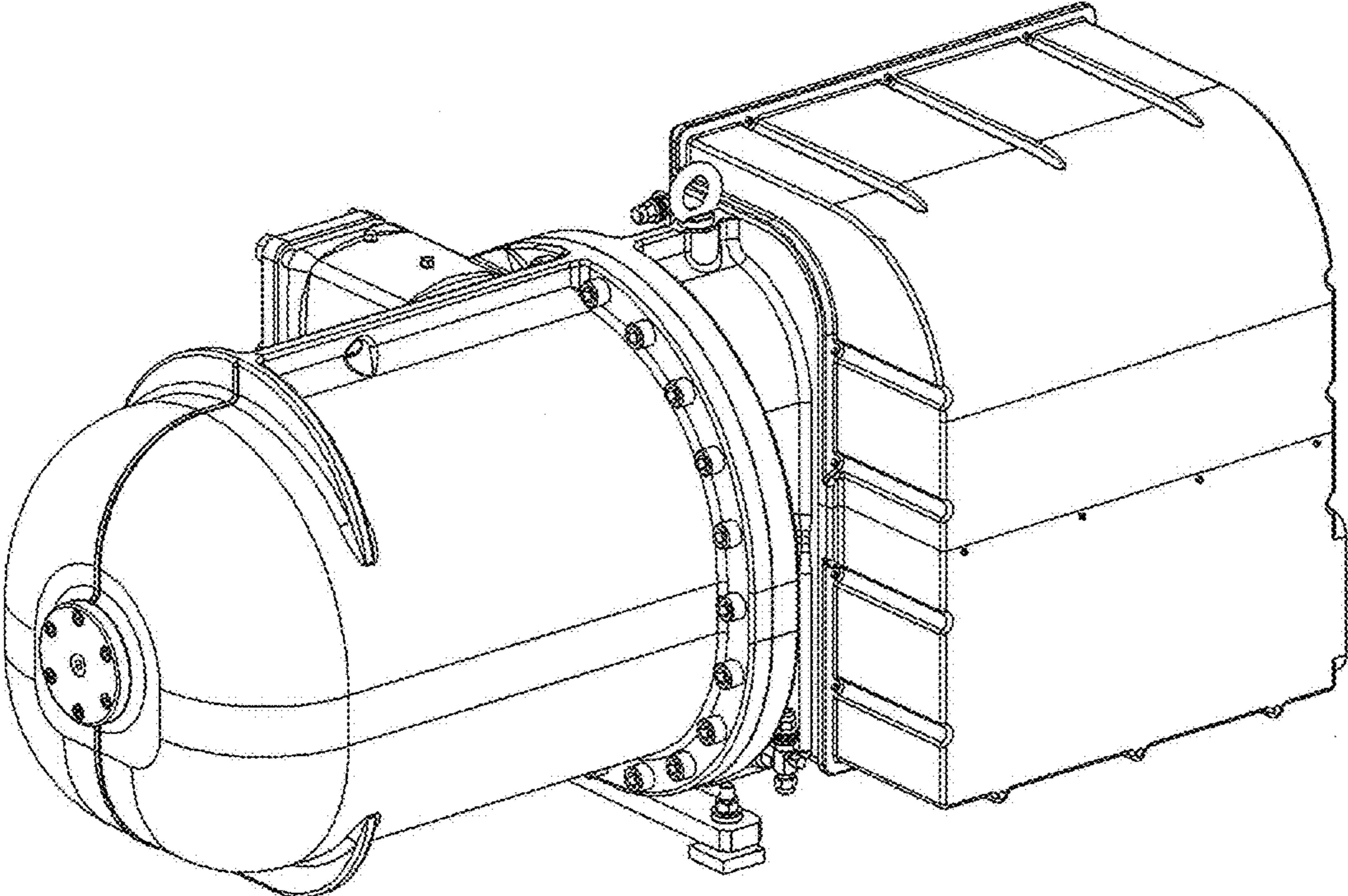


FIG. 15

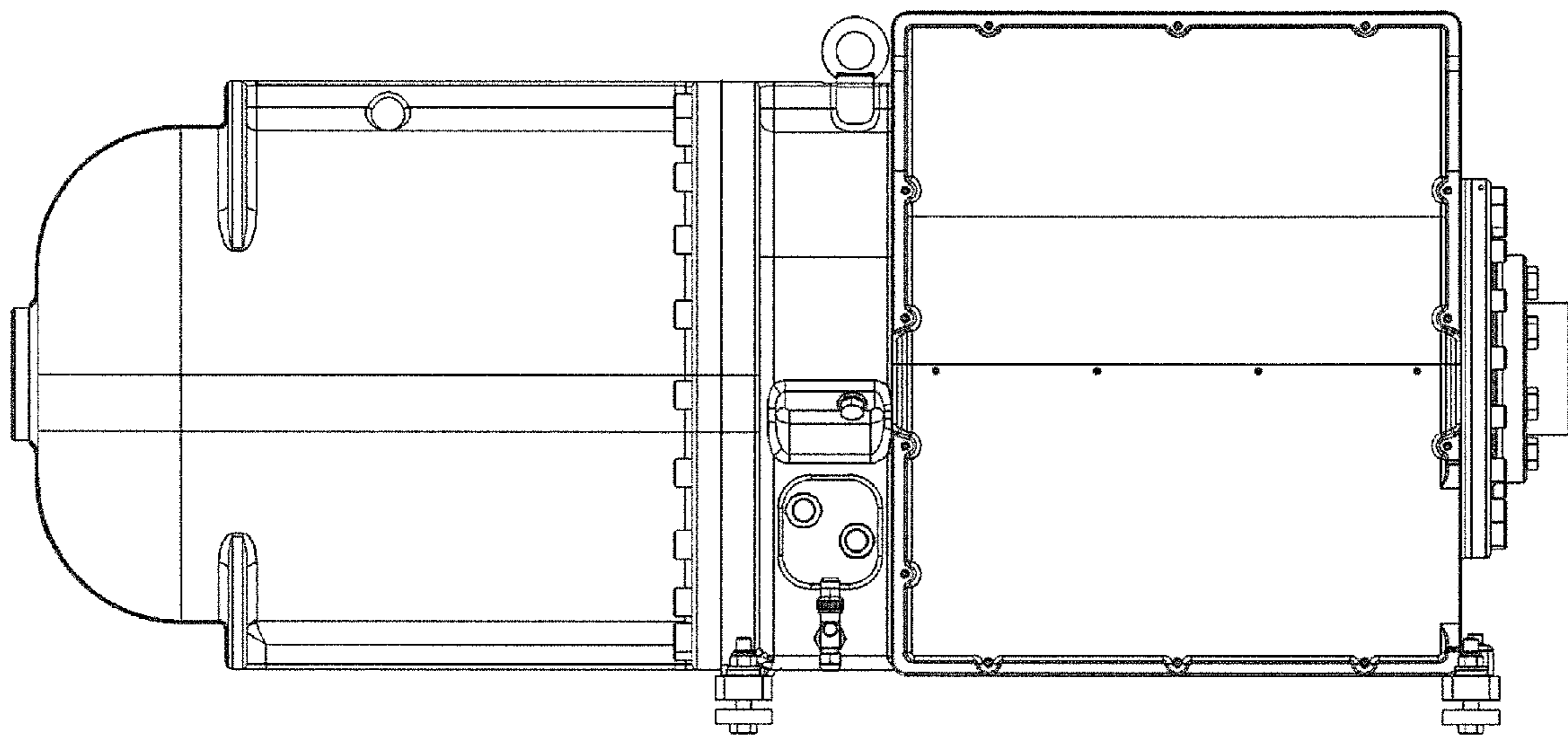


FIG. 16

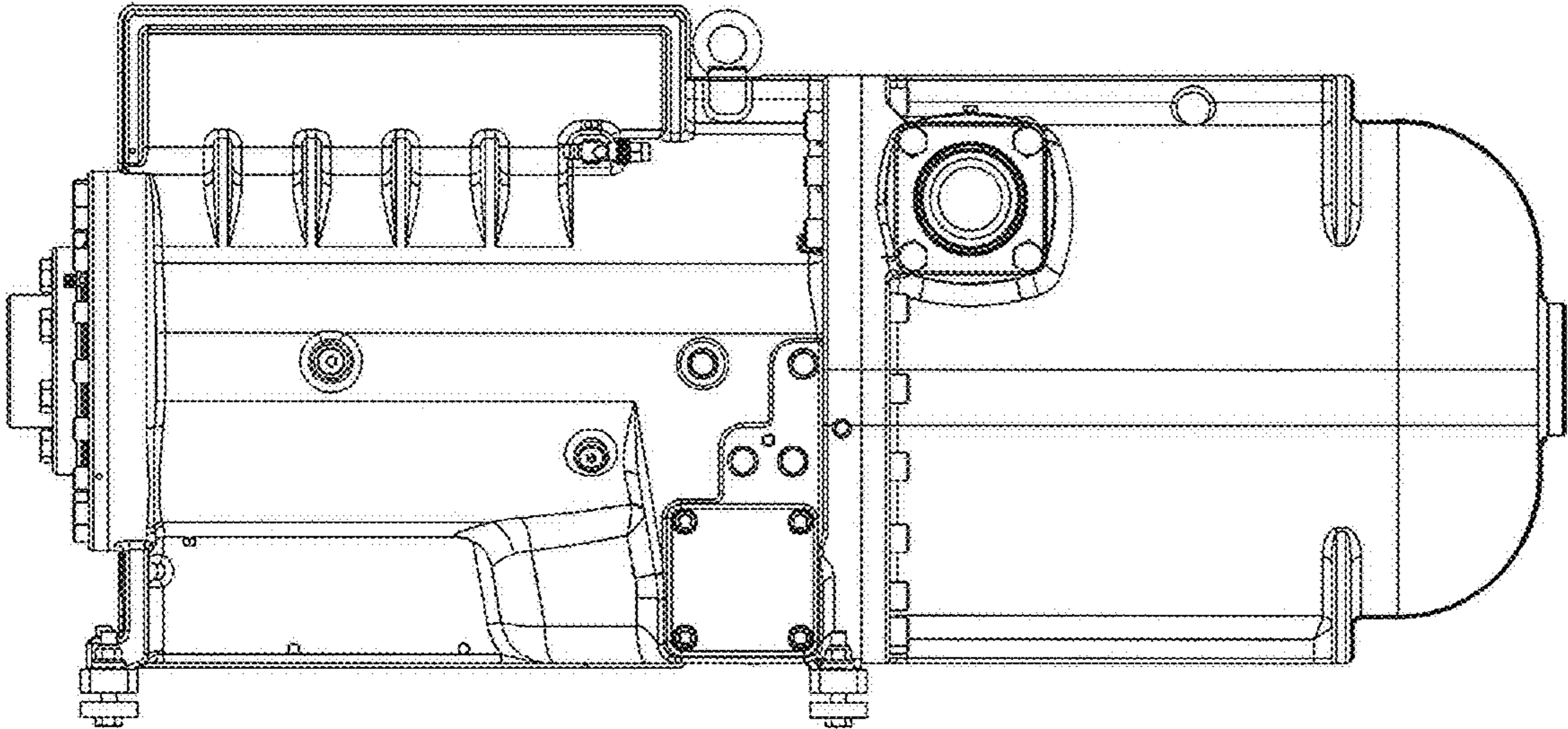


FIG. 17

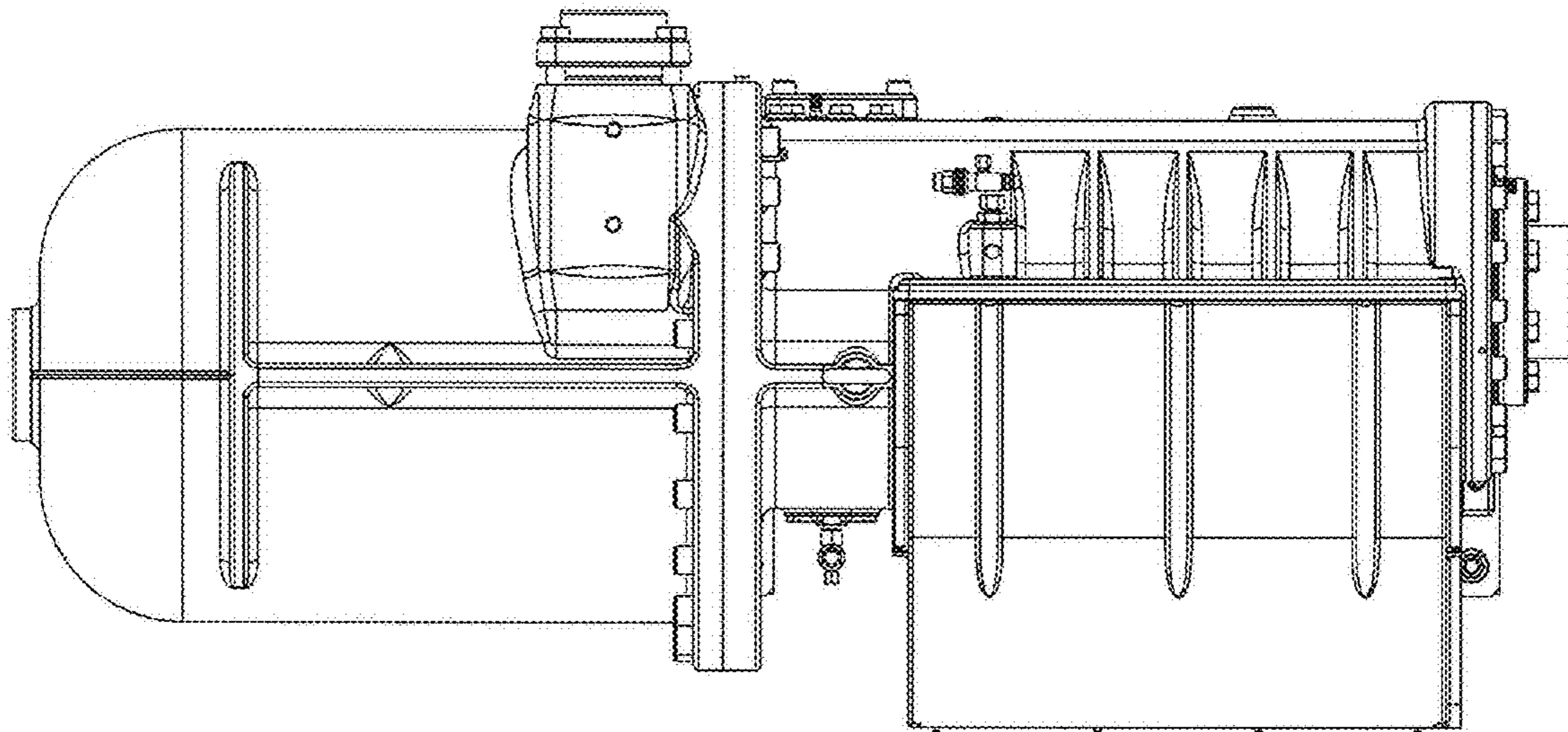


FIG. 18

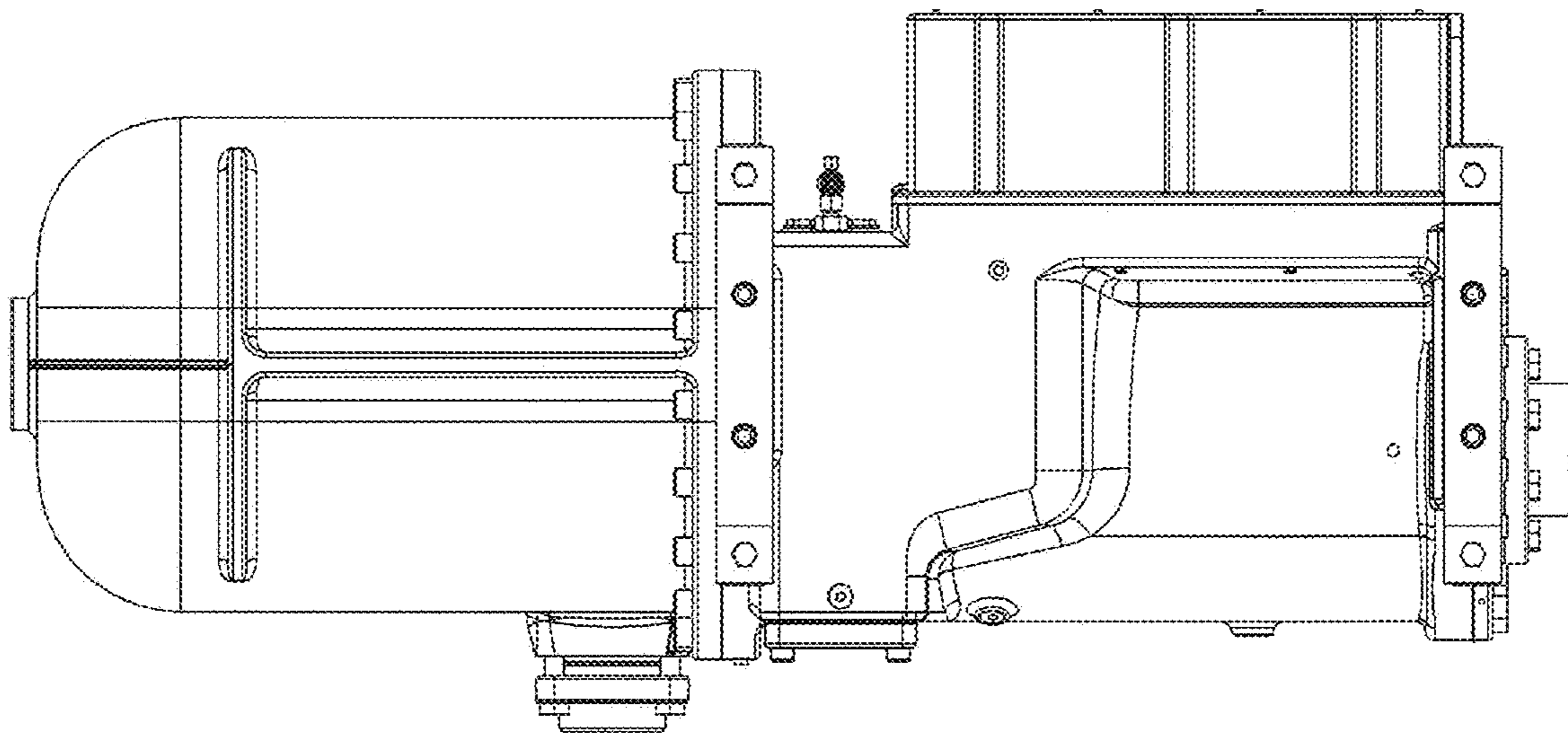


FIG. 19

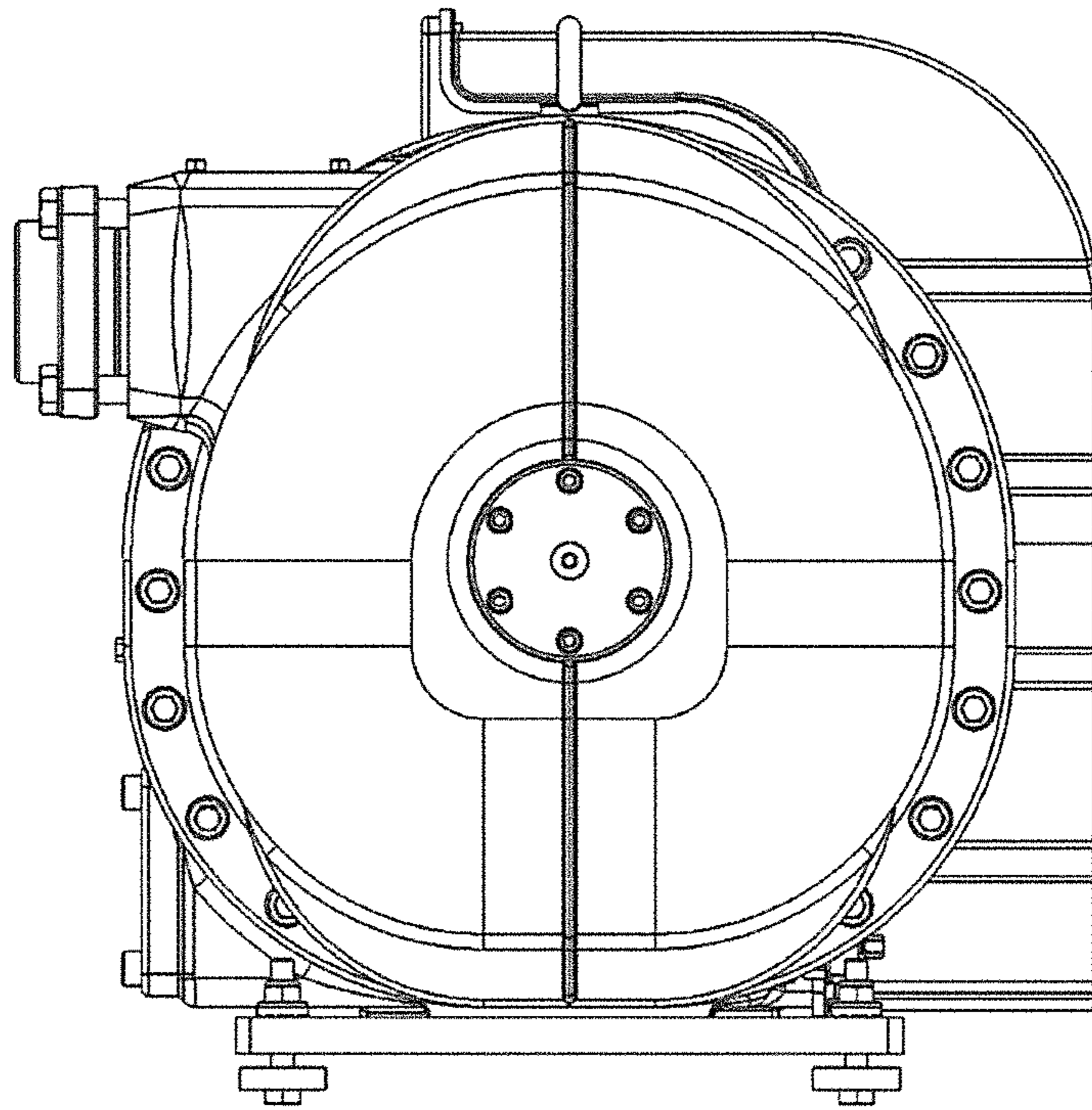


FIG. 20

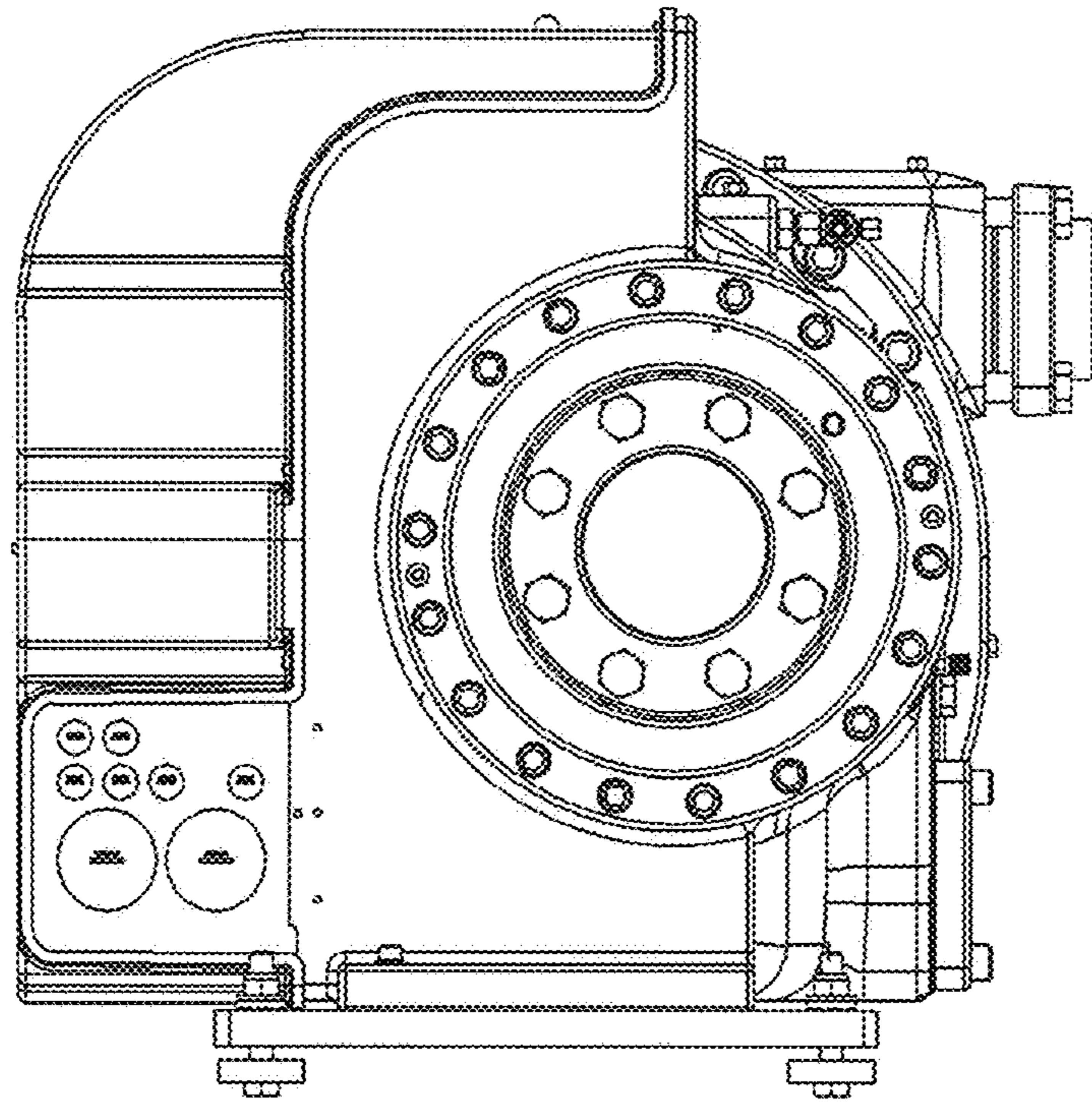


FIG. 21